



US00D935126S

(12) **United States Design Patent** (10) **Patent No.:** **US D935,126 S**
Nelson (45) **Date of Patent:** **** Nov. 2, 2021**

(54) **SHOPPING CART**

(71) Applicant: **Chresten Nelson**, Riverside, CA (US)

(72) Inventor: **Chresten Nelson**, Riverside, CA (US)

(**) Term: **15 Years**

(21) Appl. No.: **29/723,040**

(22) Filed: **Feb. 4, 2020**

(51) **LOC (13) Cl.** **12-02**

(52) **U.S. Cl.**
USPC **D34/17**

(58) **Field of Classification Search**
USPC D34/12, 17, 20, 21, 27
CPC B62B 1/186; B62B 1/125; B62B 1/262;
B62B 1/264; B62B 1/14; B62B 3/02;
B62B 3/06; B62B 3/10; B62B 3/14;
B62B 3/006; B62B 5/0438; B62B 1/12;
B62B 1/20

See application file for complete search history.

(56) **References Cited**

U.S. PATENT DOCUMENTS

D296,259 S *	6/1988	Rehrig	D34/27
D400,679 S *	11/1998	Kern	D34/27
D530,478 S *	10/2006	Splain	D34/27
D538,501 S *	3/2007	Walter	D34/21
D540,998 S *	4/2007	Splain	D34/17
D546,021 S *	7/2007	Splain	D34/27
D550,423 S *	9/2007	Splain	D34/12
D564,172 S *	3/2008	Steinhobel	D34/12
D575,472 S *	8/2008	Splain	D34/27
D580,619 S *	11/2008	Walter	D34/21
D605,823 S *	12/2009	Walter	D34/20
D606,723 S *	12/2009	Walter	D34/20
D628,759 S *	12/2010	Walter	D34/27
D633,269 S *	2/2011	Walter	D34/21
D638,602 S *	5/2011	Walter	D34/21
D639,521 S *	6/2011	Walter	D34/21
D643,175 S *	8/2011	Peota et al.	D34/21
D644,393 S *	8/2011	Walter	D34/21

D644,809 S *	9/2011	Walter	D34/21
D644,810 S *	9/2011	Peota	D34/27
D656,288 S *	3/2012	Walter	D34/27
D656,700 S *	3/2012	Walter	D34/27
D663,091 S *	7/2012	Walter	D34/27
D684,744 S *	6/2013	Walter	D34/27
D693,981 S *	11/2013	Walter	D34/27
D700,762 S *	3/2014	Walter	D34/27
D710,562 S *	8/2014	Stauff	D34/27
D747,587 S *	1/2016	Stauff et al.	D34/27
RE45,915 E *	3/2016	Walter	D34/21
D756,586 S *	5/2016	Magnusson	D34/21

(Continued)

Primary Examiner — Cynthia Ramirez

(74) *Attorney, Agent, or Firm* — Kirk A. Buhler; Buhler & Associates Patenting

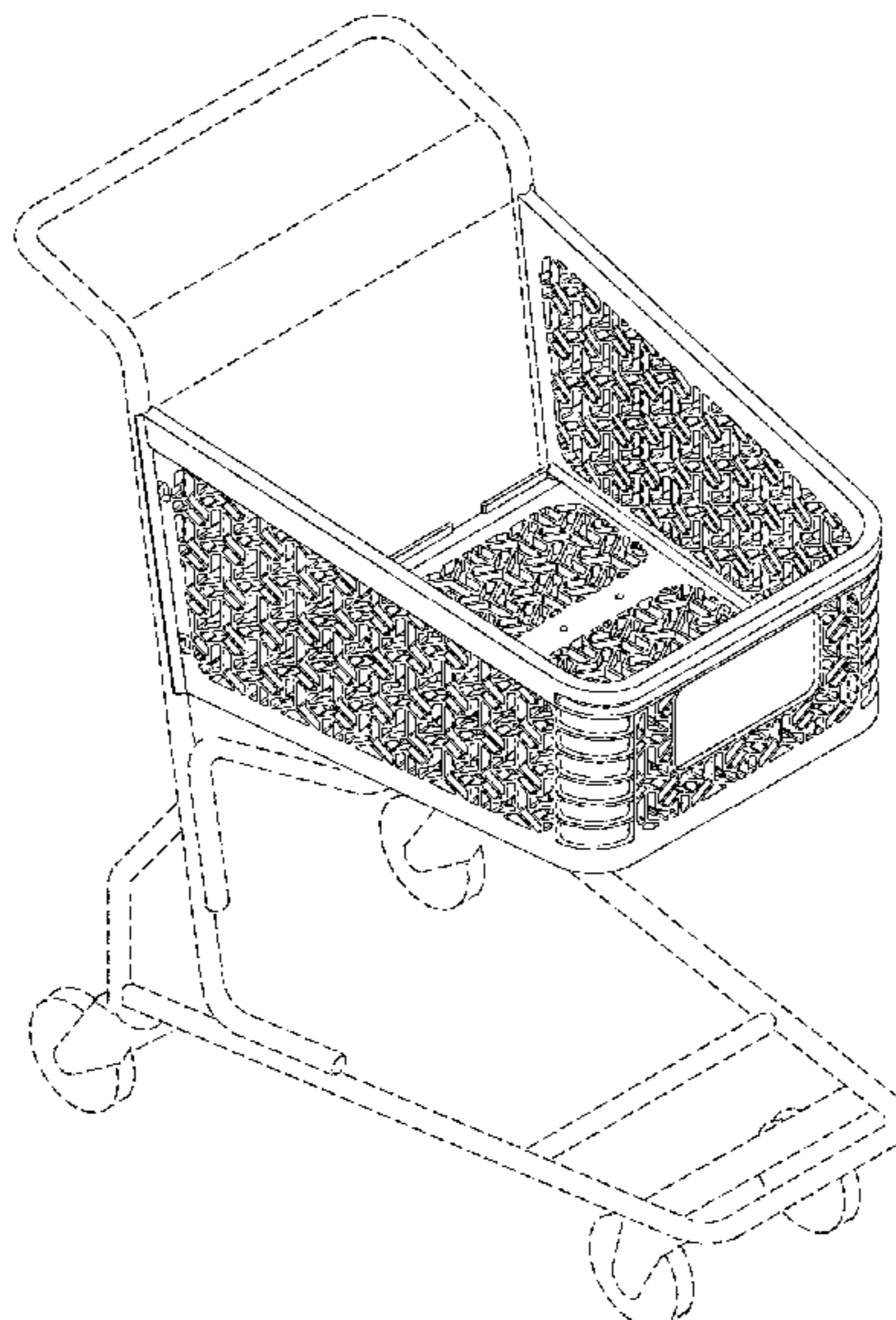
(57) **CLAIM**

The ornamental design for a shopping cart, as shown and described.

DESCRIPTION

FIG. 1 is a top front perspective view of the first embodiment of a shopping cart, showing my new design;
FIG. 2 is a front elevation view thereof;
FIG. 3 is a rear elevation view thereof;
FIG. 4 is a left side elevation view, the right side elevation being a mirror image thereof;
FIG. 5 is a top plan view thereof;
FIG. 6 is a bottom view thereof;
FIG. 7 is a front elevation view of a second embodiment thereof;
FIG. 8 is a rear elevation view thereof;
FIG. 9 is a left side elevation view, the right side elevation being a mirror image thereof;
FIG. 10 is a top plan view thereof; and,
FIG. 11 is a bottom view thereof.
The broken lines in the figures show portions of the shopping cart which form no part of the claimed design.

1 Claim, 9 Drawing Sheets



(56)

References Cited

U.S. PATENT DOCUMENTS

RE46,268 E * 1/2017 Walter D34/21
RE46,281 E * 1/2017 Walter D34/27
D798,020 S * 9/2017 Magnusson D34/27
D800,986 S 10/2017 Magnusson
D805,711 S 12/2017 Magnusson
D806,342 S 12/2017 Magnusson
D839,525 S 1/2019 Magnusson
D849,351 S * 5/2019 Harrison D34/27
D895,920 S * 9/2020 Villanova Abadia D34/21
D926,414 S * 7/2021 Villanova Abadia D34/17
2006/0273535 A1 * 12/2006 O'Quin B62B 3/14
280/33.991
2010/0276899 A1 * 11/2010 Burdwood B62B 3/146
280/33.991
2019/0210625 A1 * 7/2019 Harrison B62B 3/14

* cited by examiner

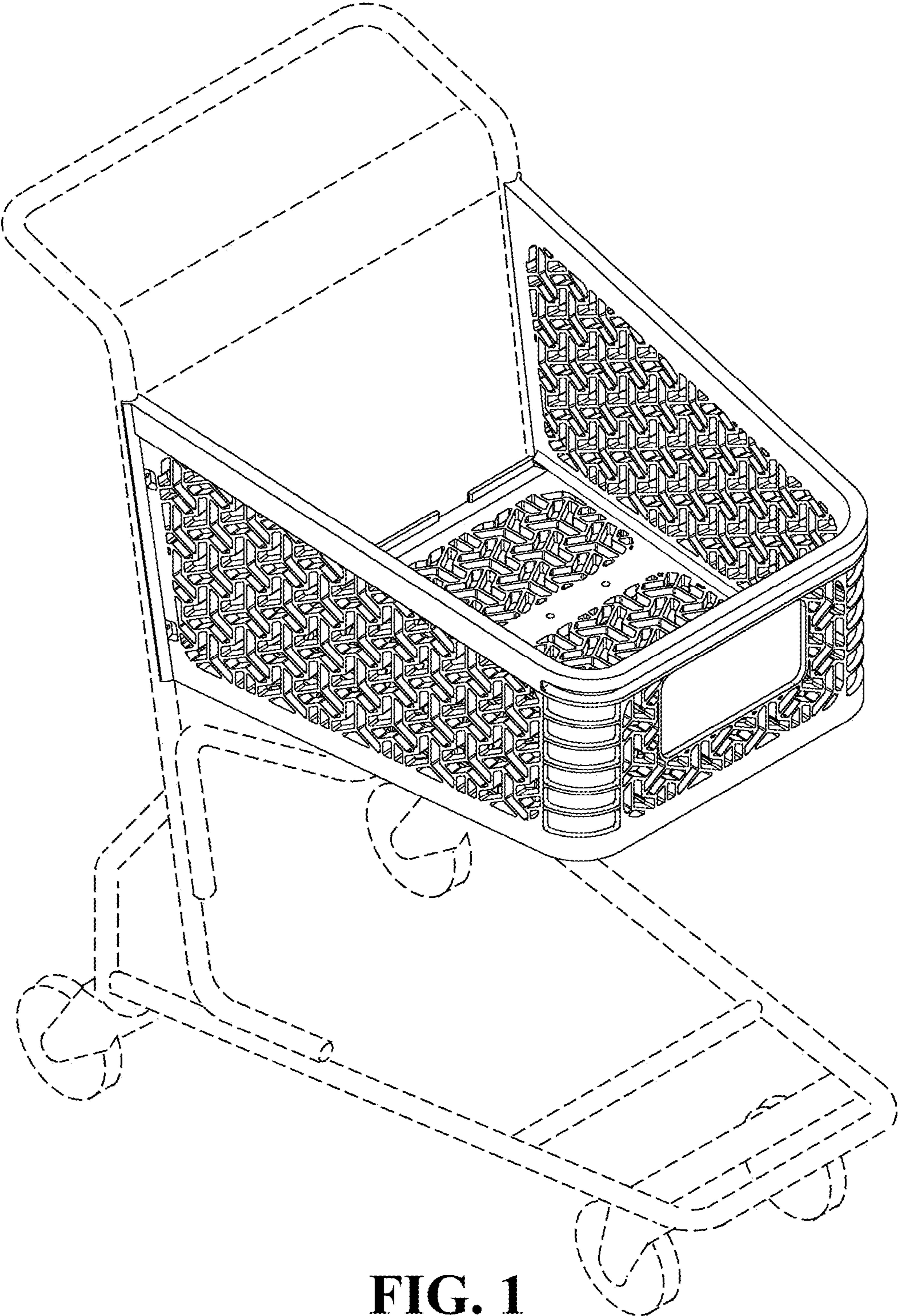


FIG. 1

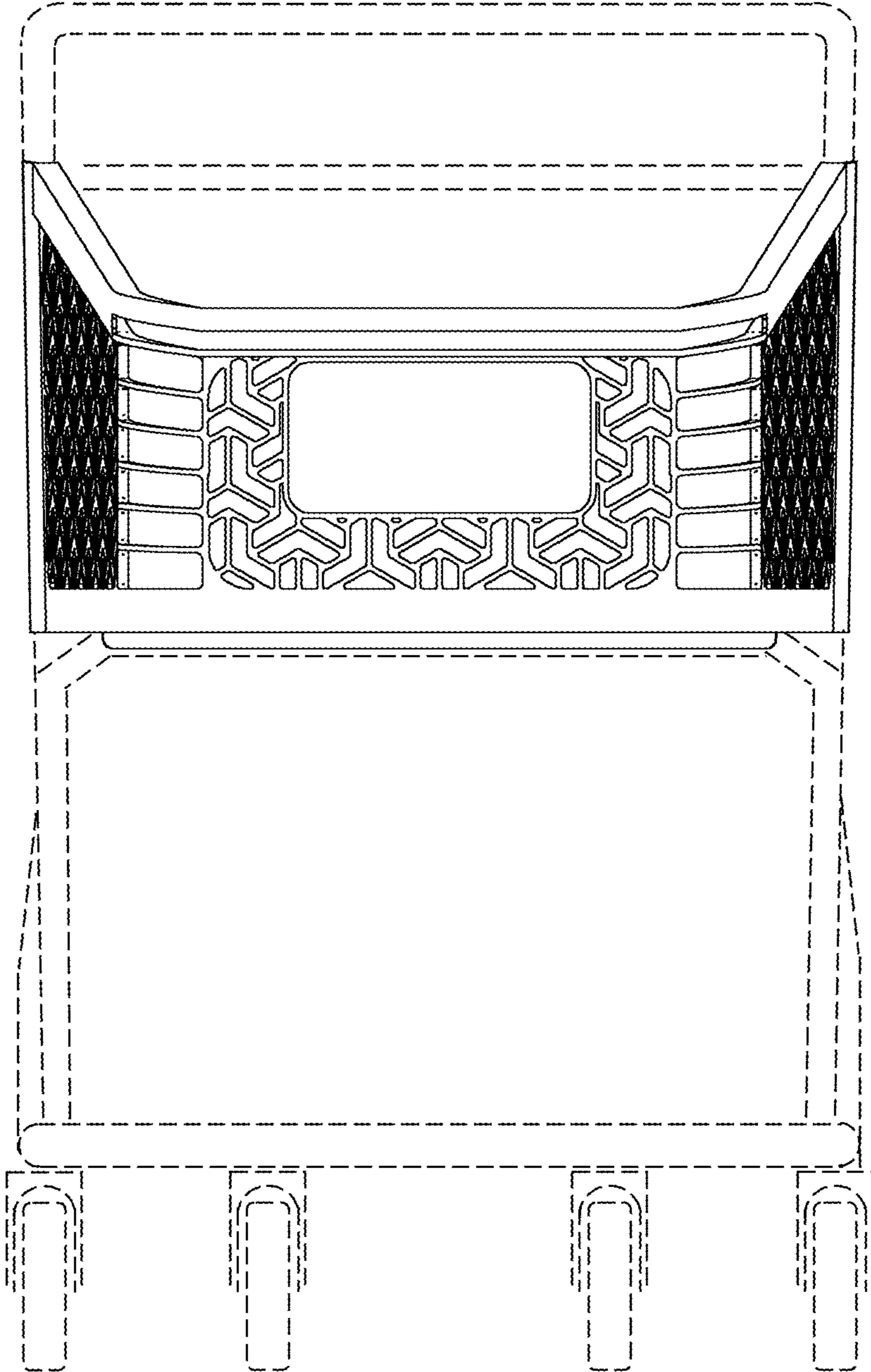


FIG. 2

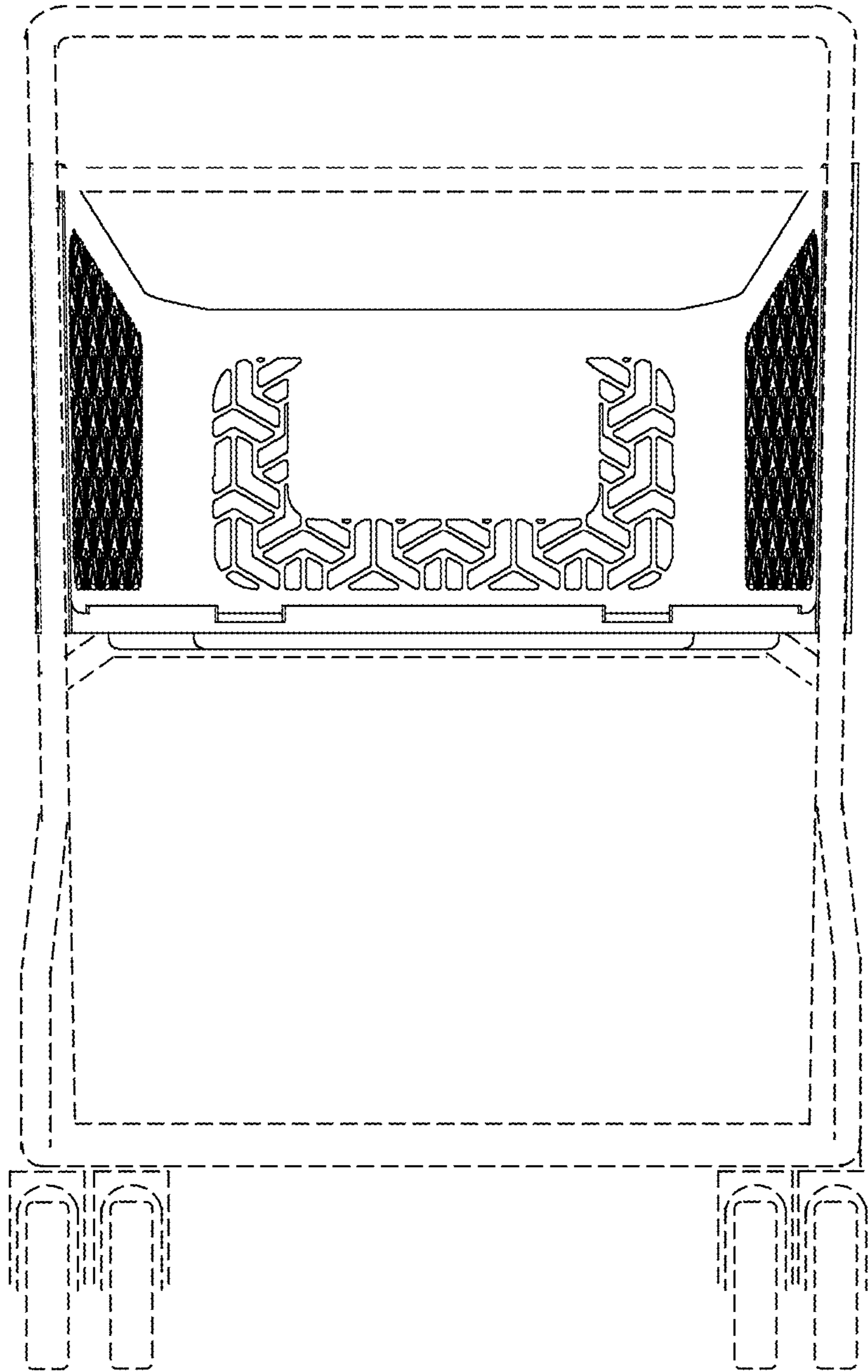


FIG. 3

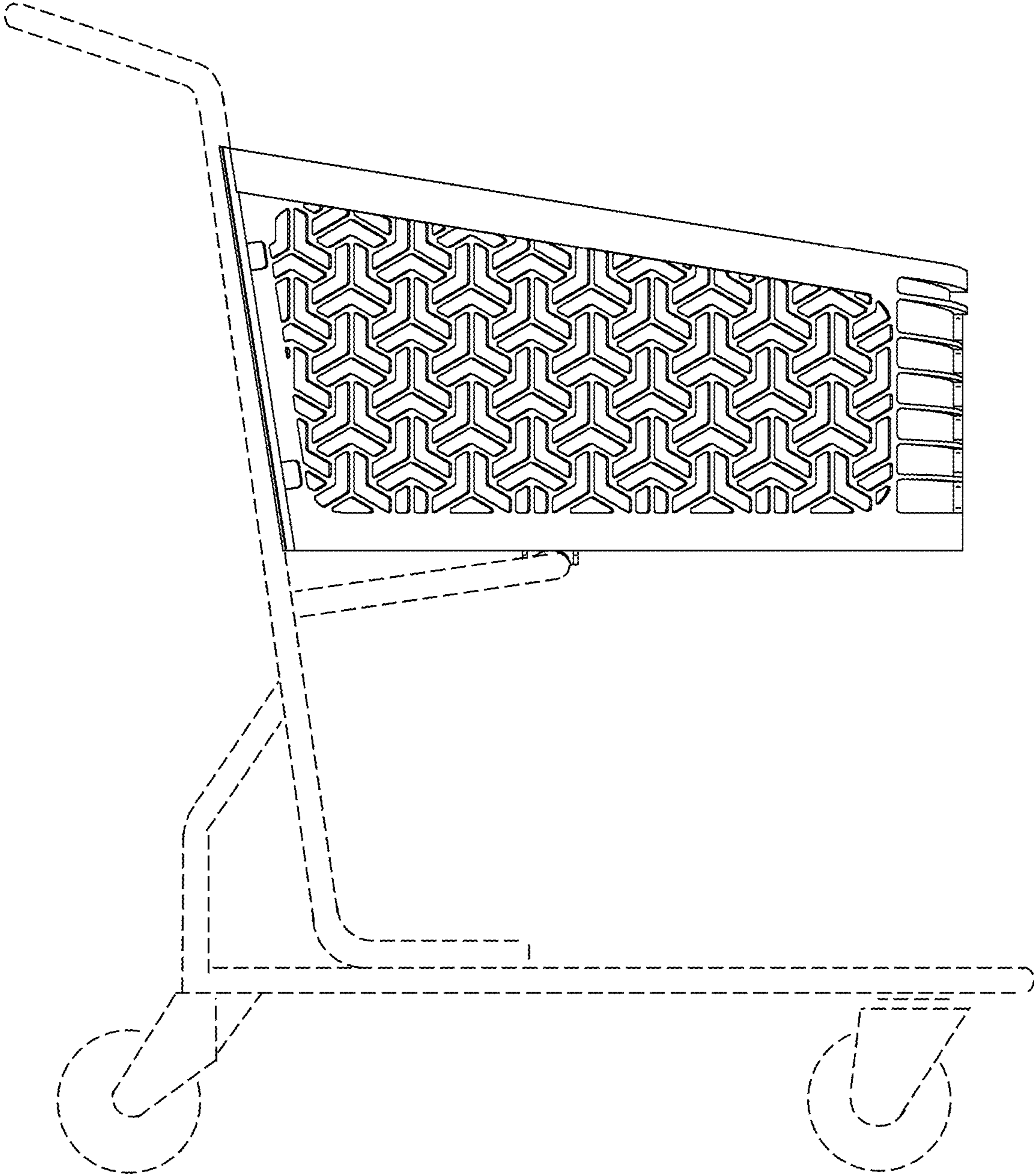


FIG. 4

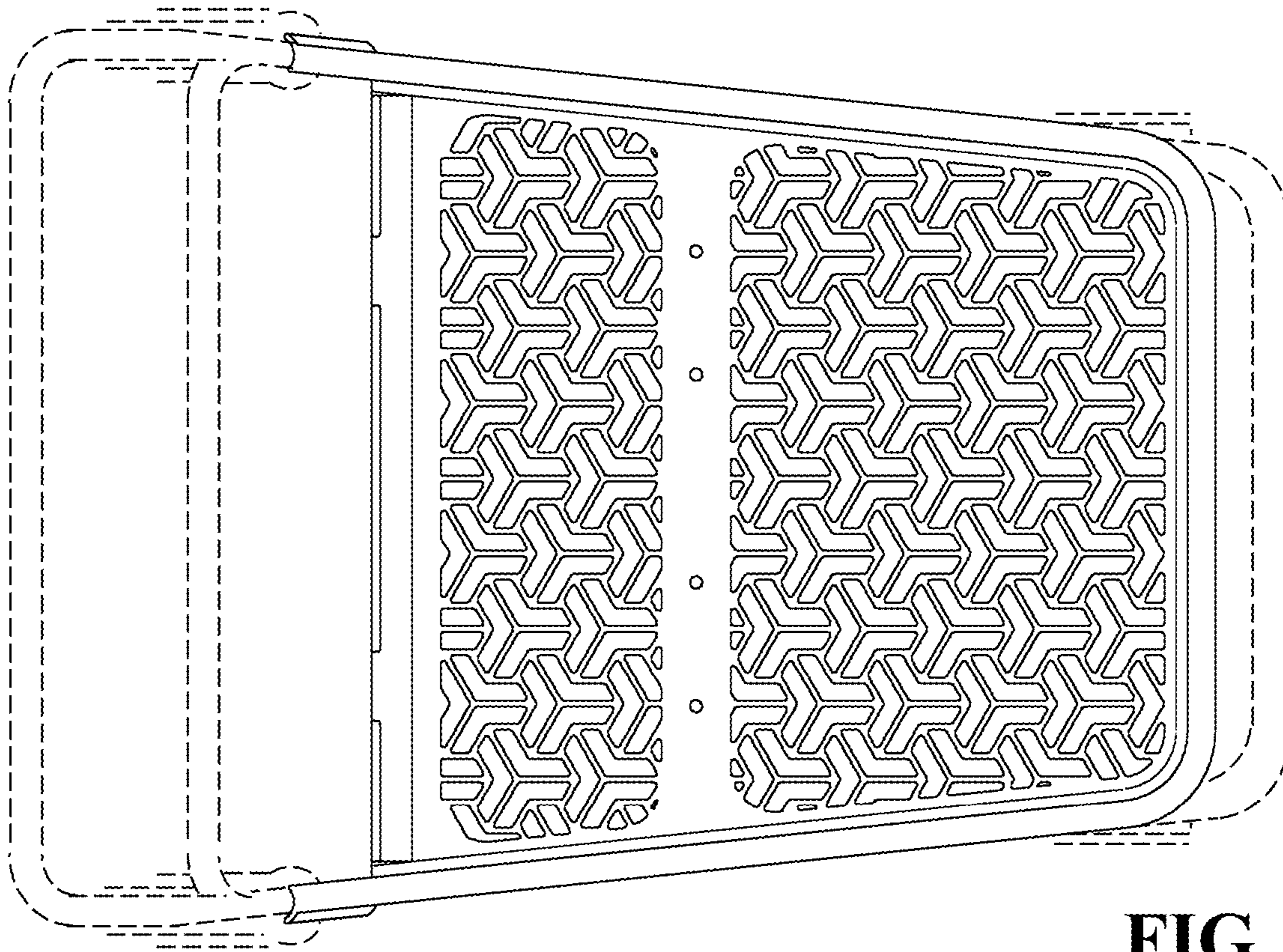


FIG. 5

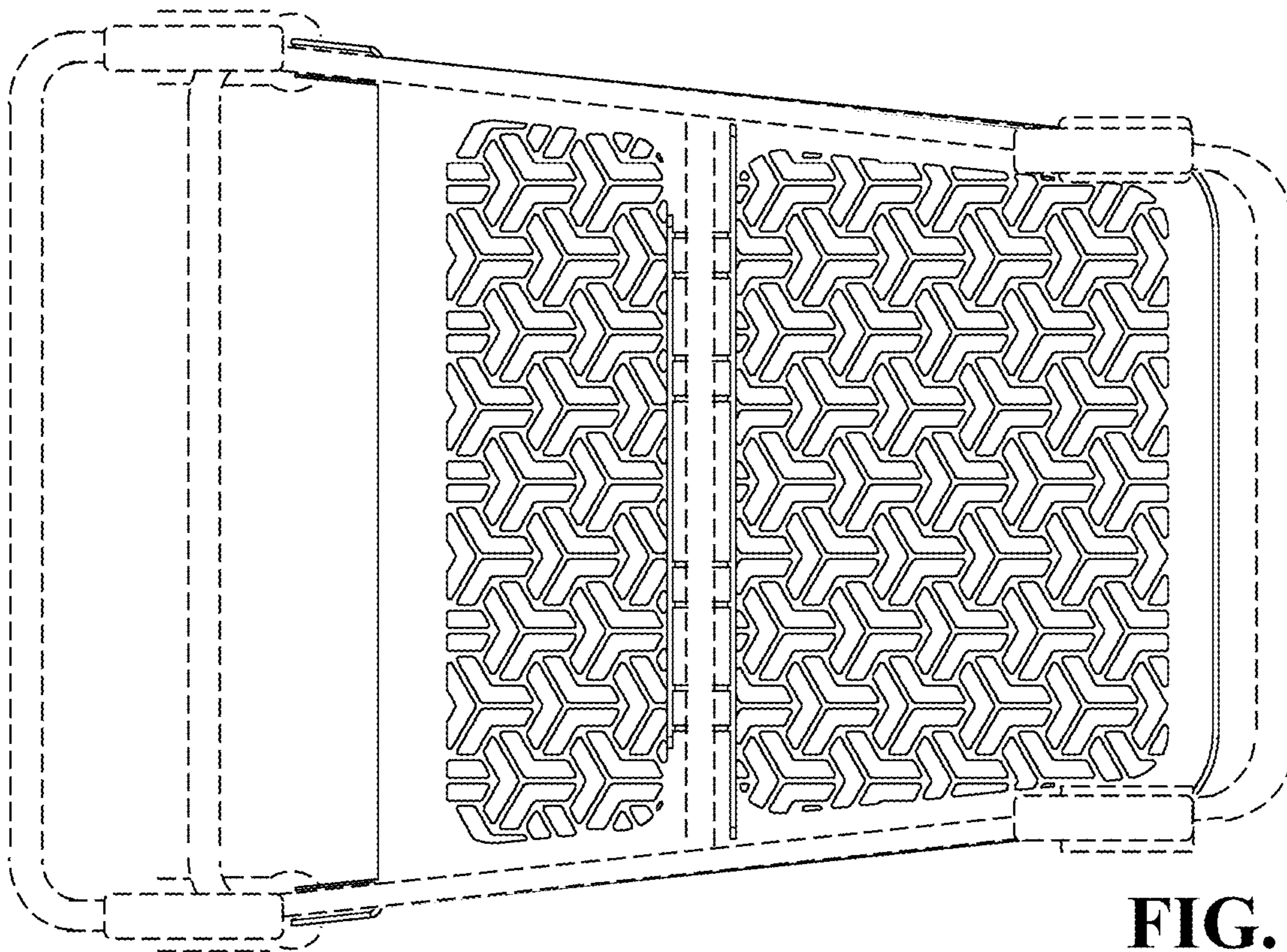


FIG. 6

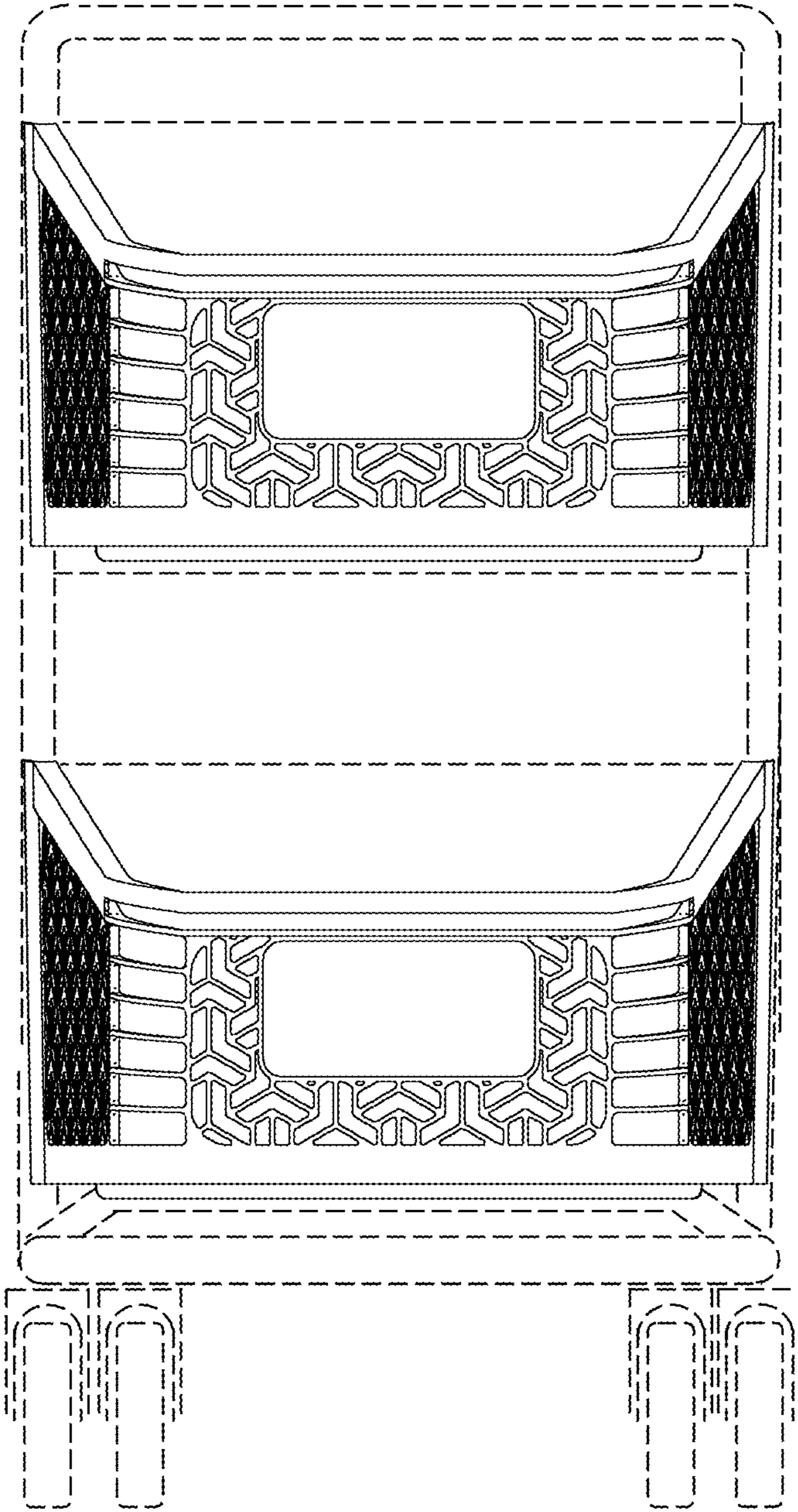


FIG. 7

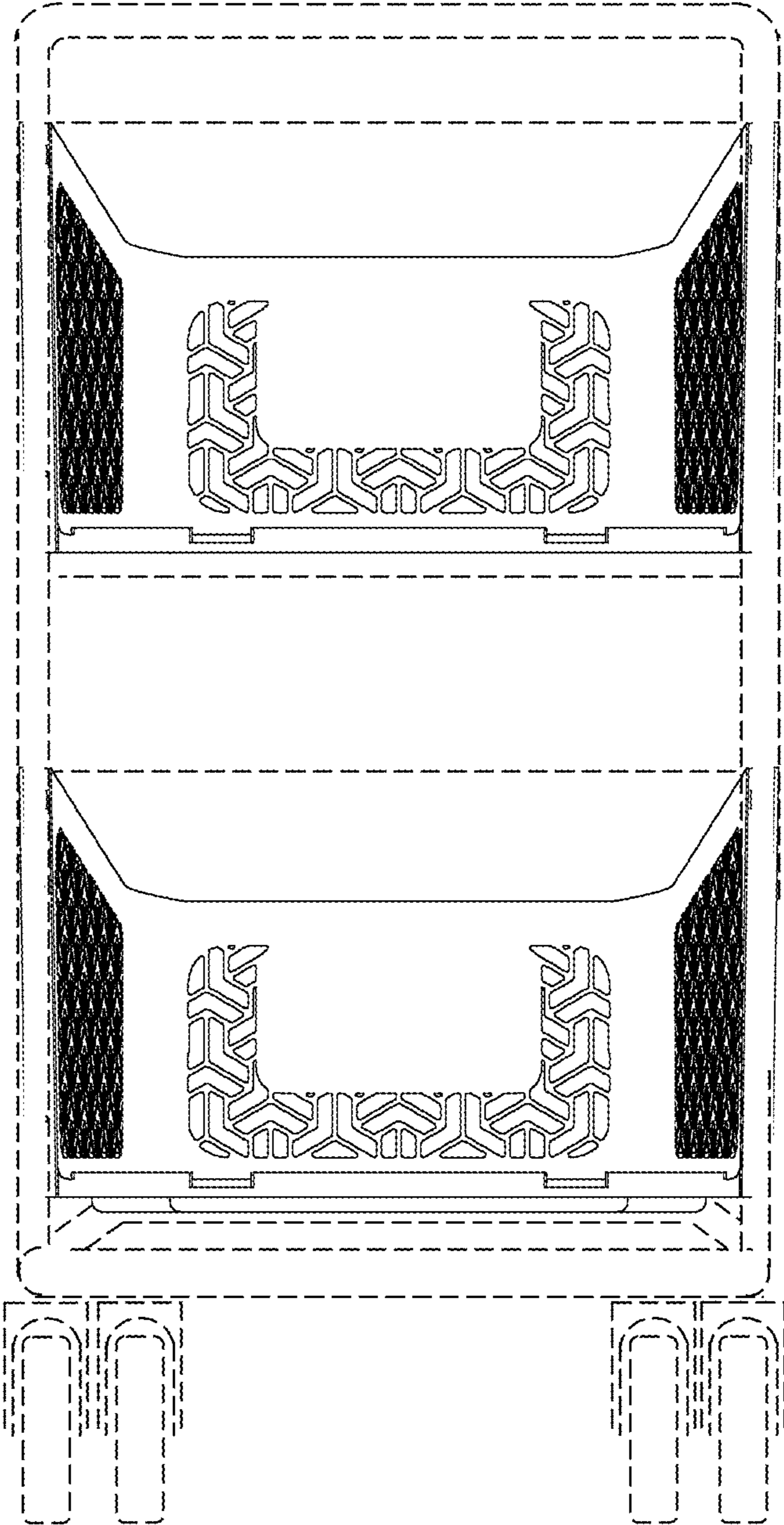


FIG. 8

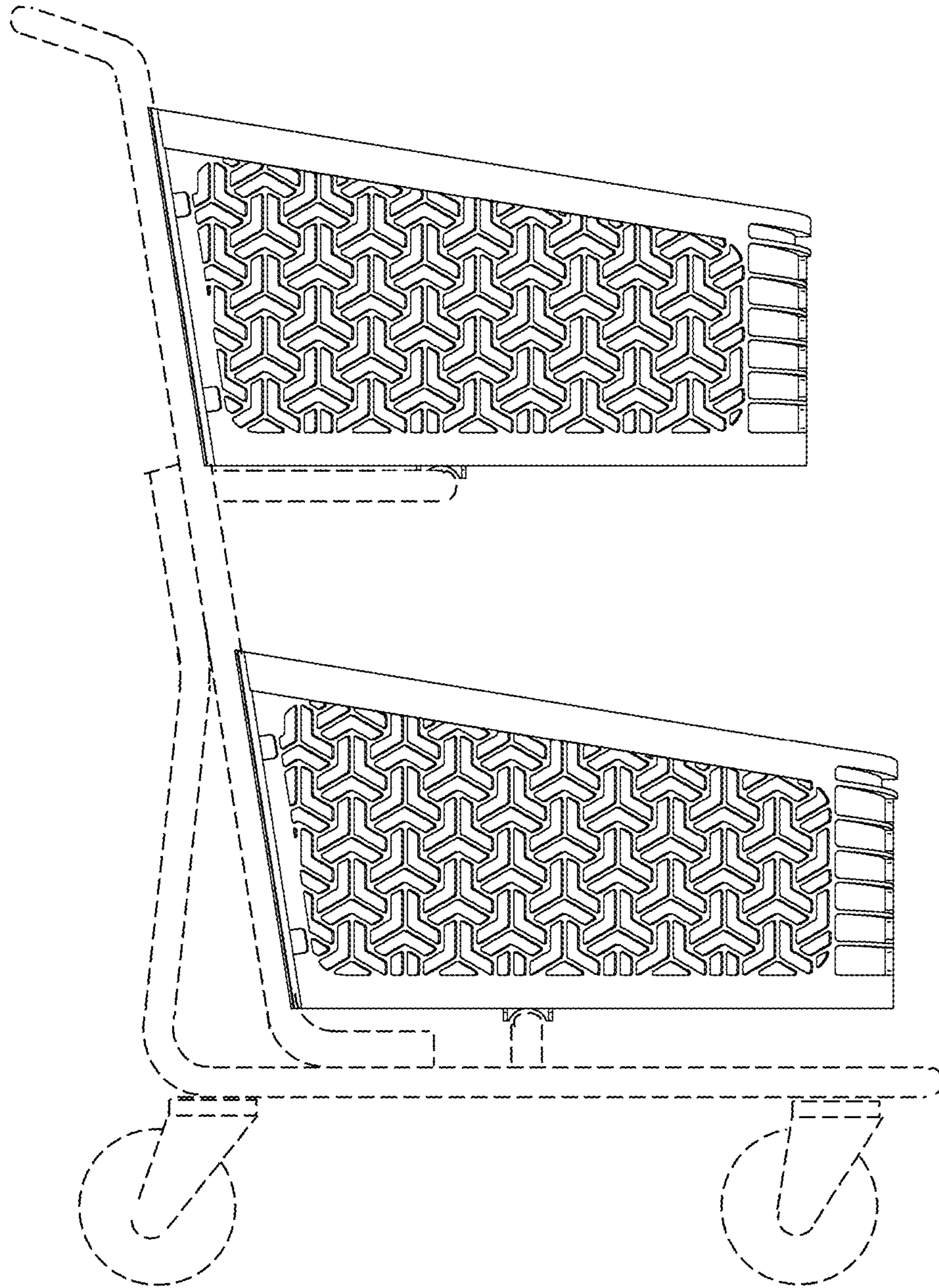


FIG. 9

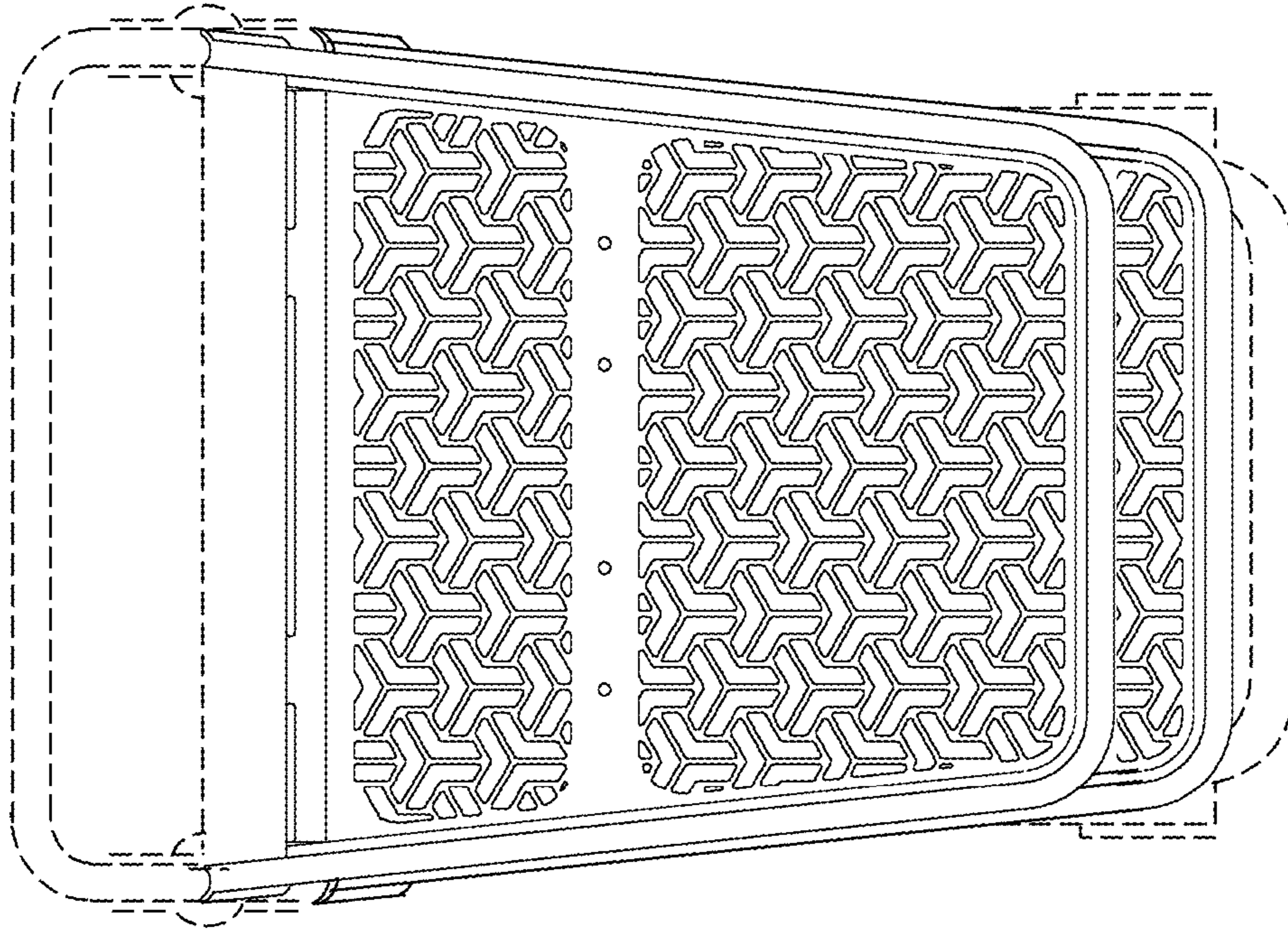


FIG. 10

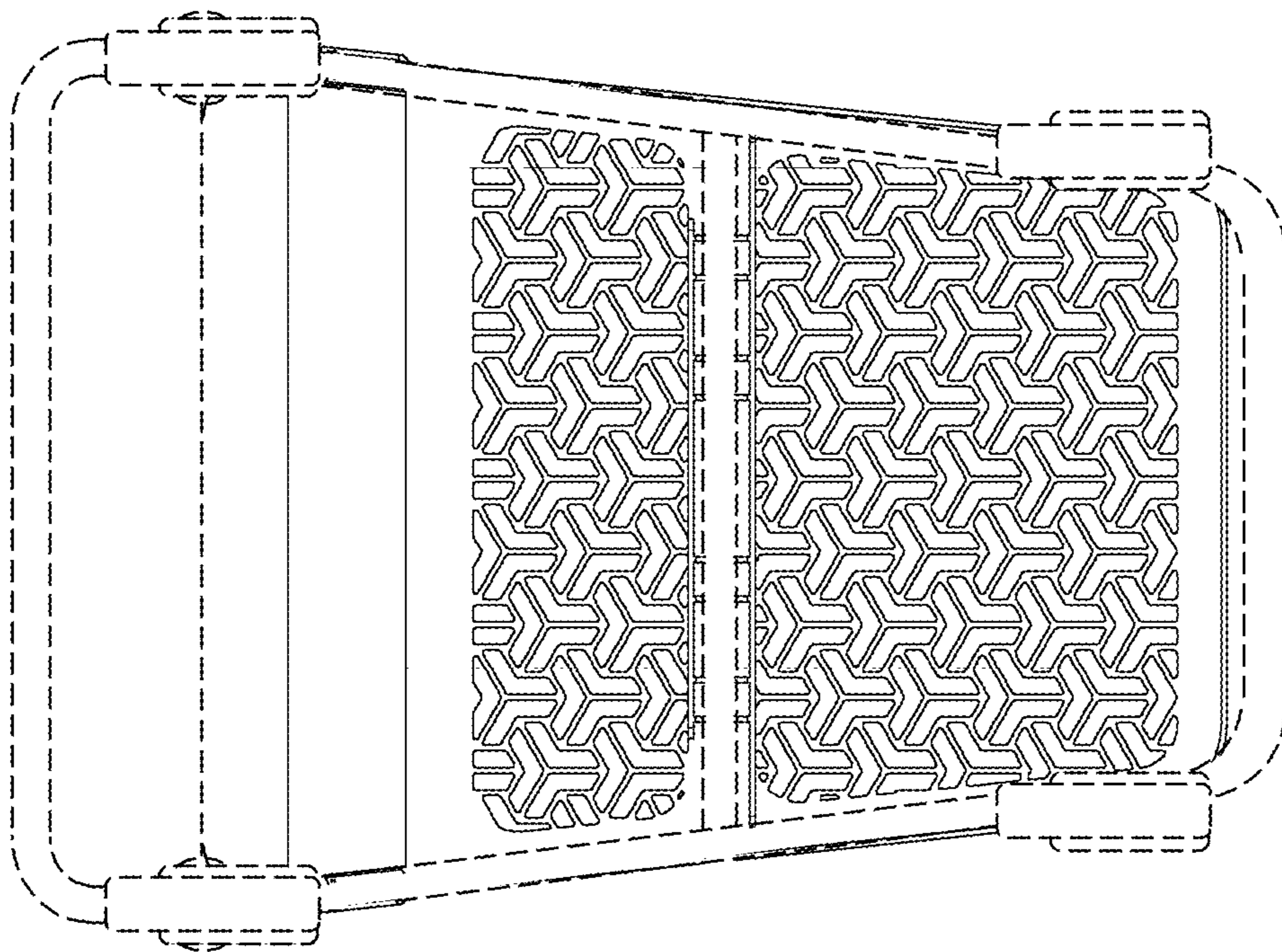


FIG. 11