



US00D935125S

(12) **United States Design Patent** (10) **Patent No.:** **US D935,125 S**
Youngblutt et al. (45) **Date of Patent:** **** Nov. 2, 2021**

(54) **PORTABLE STORAGE UNIT**
(71) Applicant: **VIS, LLC**, Travelers Rest, SC (US)
(72) Inventors: **Sage Youngblutt**, Greenville, SC (US);
Robert Fox, Greenville, SC (US)
(73) Assignee: **VIS, LLC**, Greer, SC (US)
(**) Term: **15 Years**
(21) Appl. No.: **29/710,909**
(22) Filed: **Oct. 28, 2019**
(51) **LOC (13) Cl.** **12-02**
(52) **U.S. Cl.**
USPC **D34/14**
(58) **Field of Classification Search**
USPC D34/12, 14, 15, 17, 18, 19, 20, 21, 22,
D34/23, 24, 25, 26, 27
CPC B62B 3/1476; B62B 3/16; B62B 3/1472;
B62B 3/12; B62B 3/005; B62B 2202/30;
B62B 2203/07; B62B 5/067; B62B 5/002
See application file for complete search history.

D606,722 S * 12/2009 Walter D34/12
D638,190 S * 5/2011 Spann D34/14
D642,763 S * 8/2011 Liang D34/14
D814,133 S * 3/2018 Curtis D34/26
D844,276 S * 3/2019 Schlenker D34/12
D870,410 S * 12/2019 Alexander D34/24
2021/0046962 A1* 2/2021 Salvucci, Jr. B62B 3/04
2021/0123432 A1* 4/2021 Youngblutt F04B 53/00

* cited by examiner

Primary Examiner — Cynthia Ramirez

(74) *Attorney, Agent, or Firm* — J. Bennett Mullinax, LLC

(57) **CLAIM**

The ornamental design for a portable storage unit, as shown and described.

DESCRIPTION

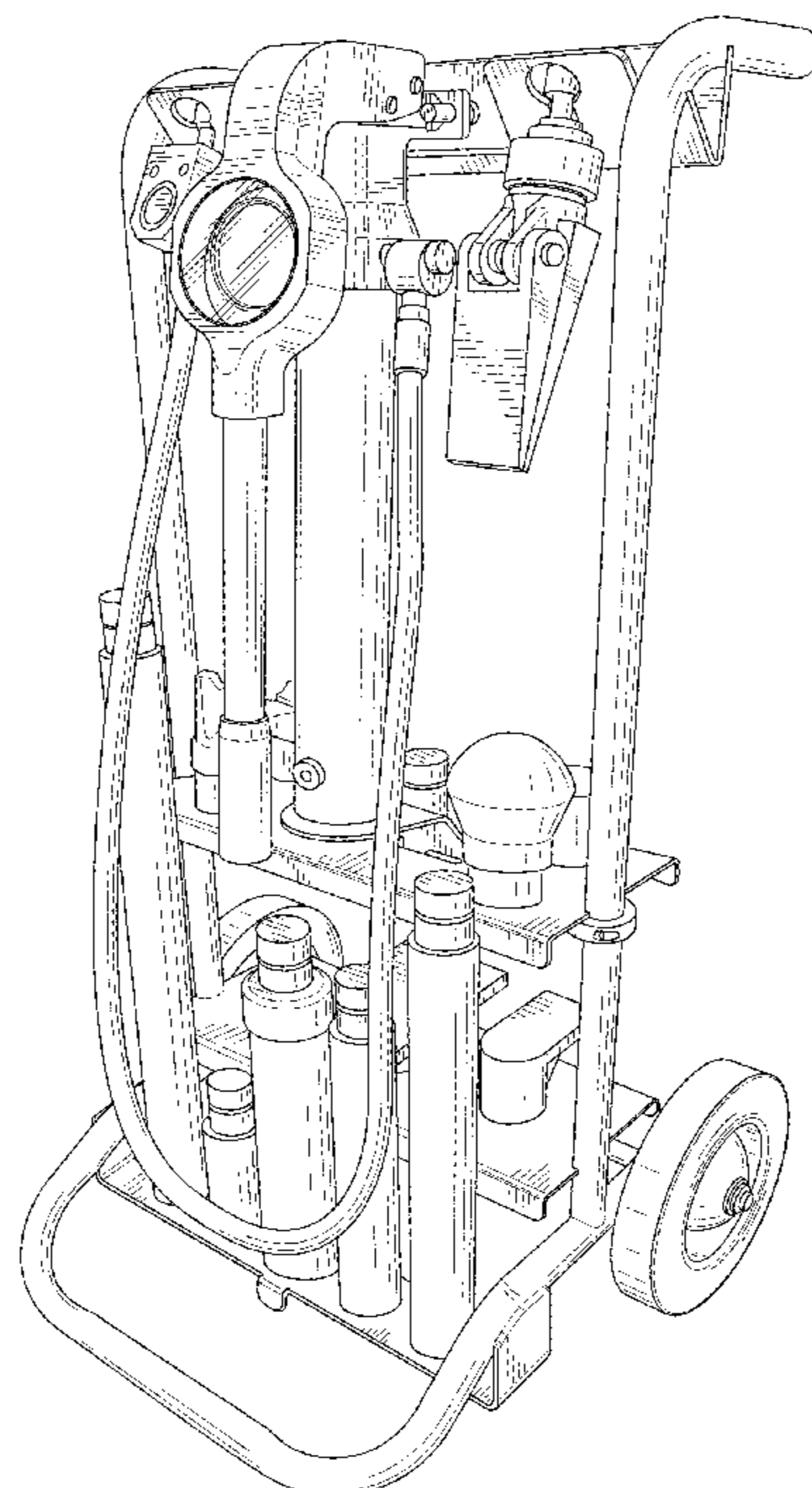
FIG. 1 is a front perspective view of the portable storage unit as shown in FIG. 1;
FIG. 2 is a front view of the portable storage unit as shown in FIG. 1;
FIG. 3 is a rear view of the portable storage unit as shown in FIG. 1;
FIG. 4 is a left side view of the portable storage unit as shown in FIG. 1;
FIG. 5 is a right side view of the portable storage unit as shown in FIG. 1;
FIG. 6 is a top view of the portable storage unit as shown in FIG. 1; and,
FIG. 7 is a bottom view of the portable storage unit as shown in FIG. 1.

1 Claim, 7 Drawing Sheets

(56) **References Cited**

U.S. PATENT DOCUMENTS

2,835,503 A * 5/1958 Humphries A01G 20/30
280/47.19
D185,000 S * 4/1959 Hoover D15/9
D190,853 S * 7/1961 Neville D34/26
3,165,329 A * 1/1965 Liibbe A63B 55/60
280/645
D444,279 S * 6/2001 Kristiansen D34/12
D449,144 S * 10/2001 Measom D34/24
D451,257 S * 11/2001 Moritsch D34/20
D580,610 S * 11/2008 Hawkins D32/25



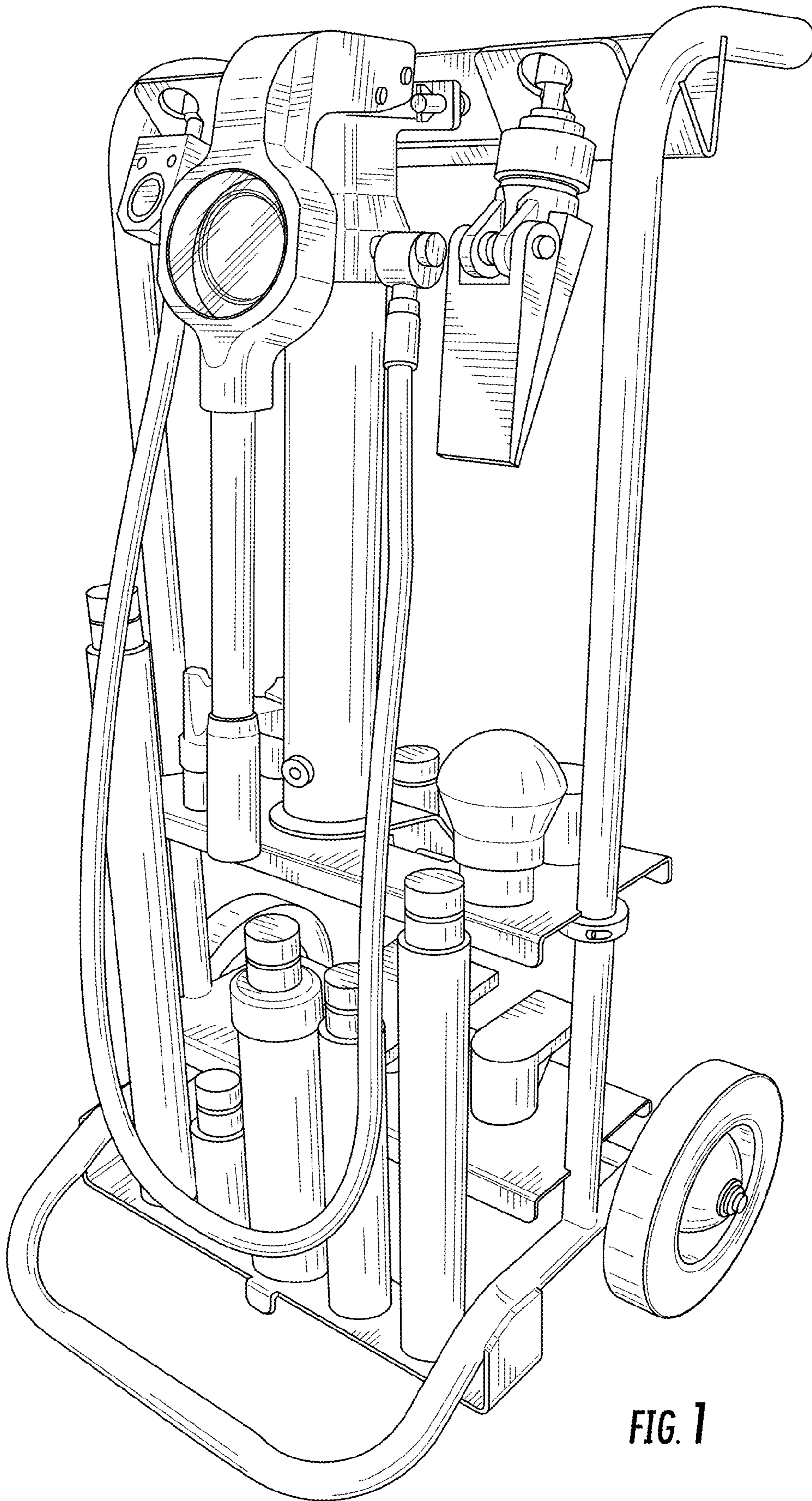


FIG. 1

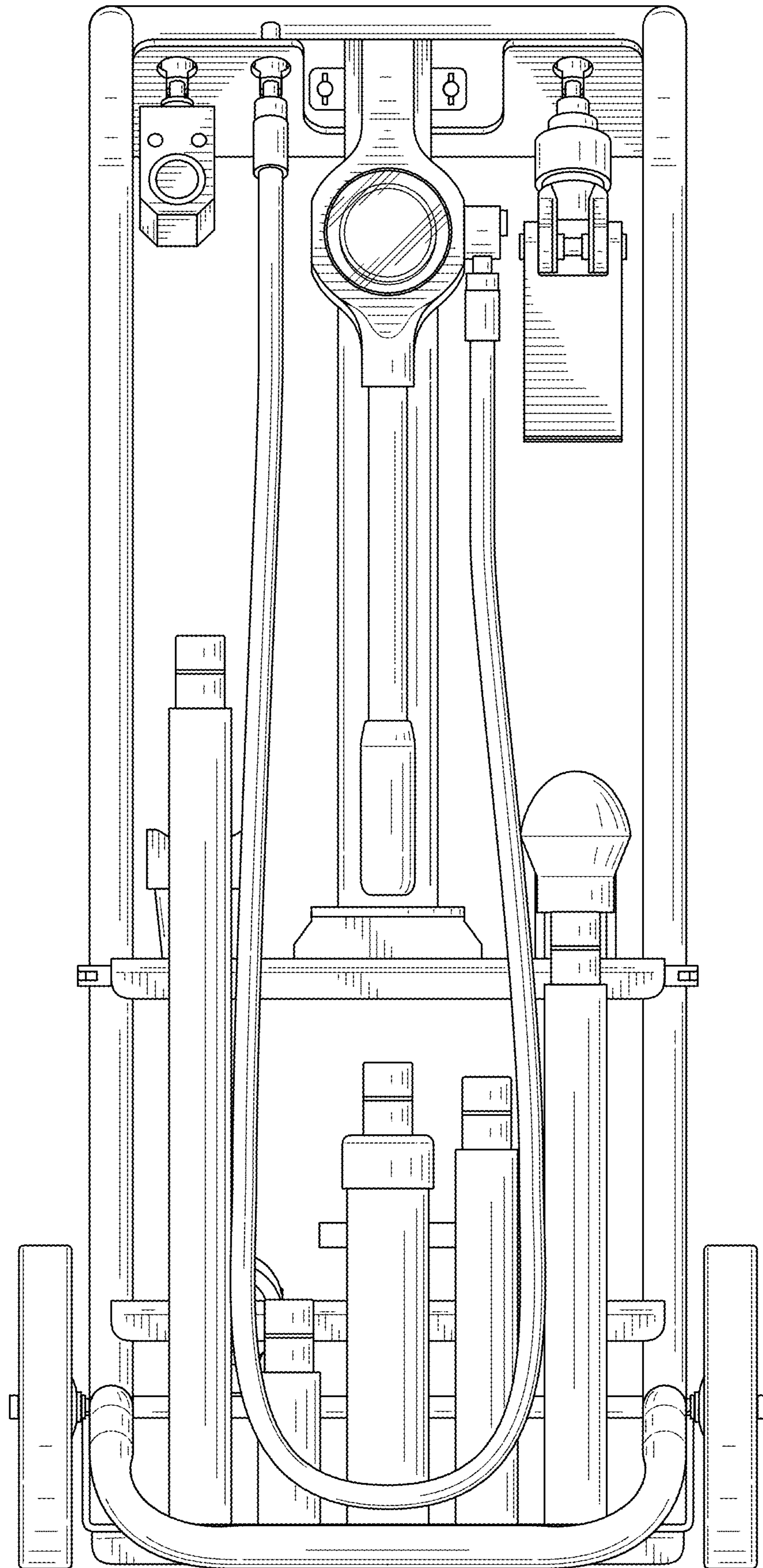


FIG. 2

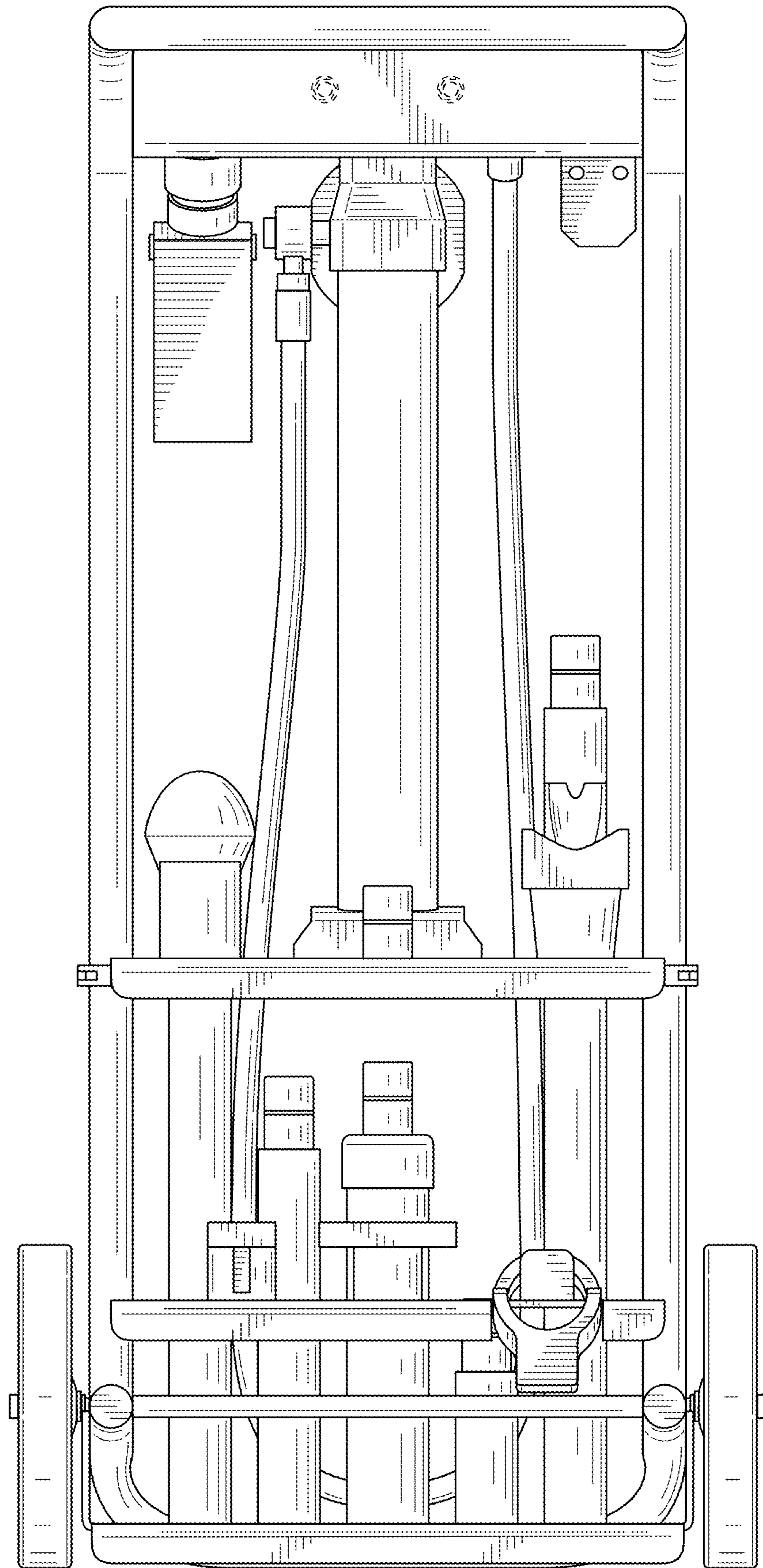


FIG. 3

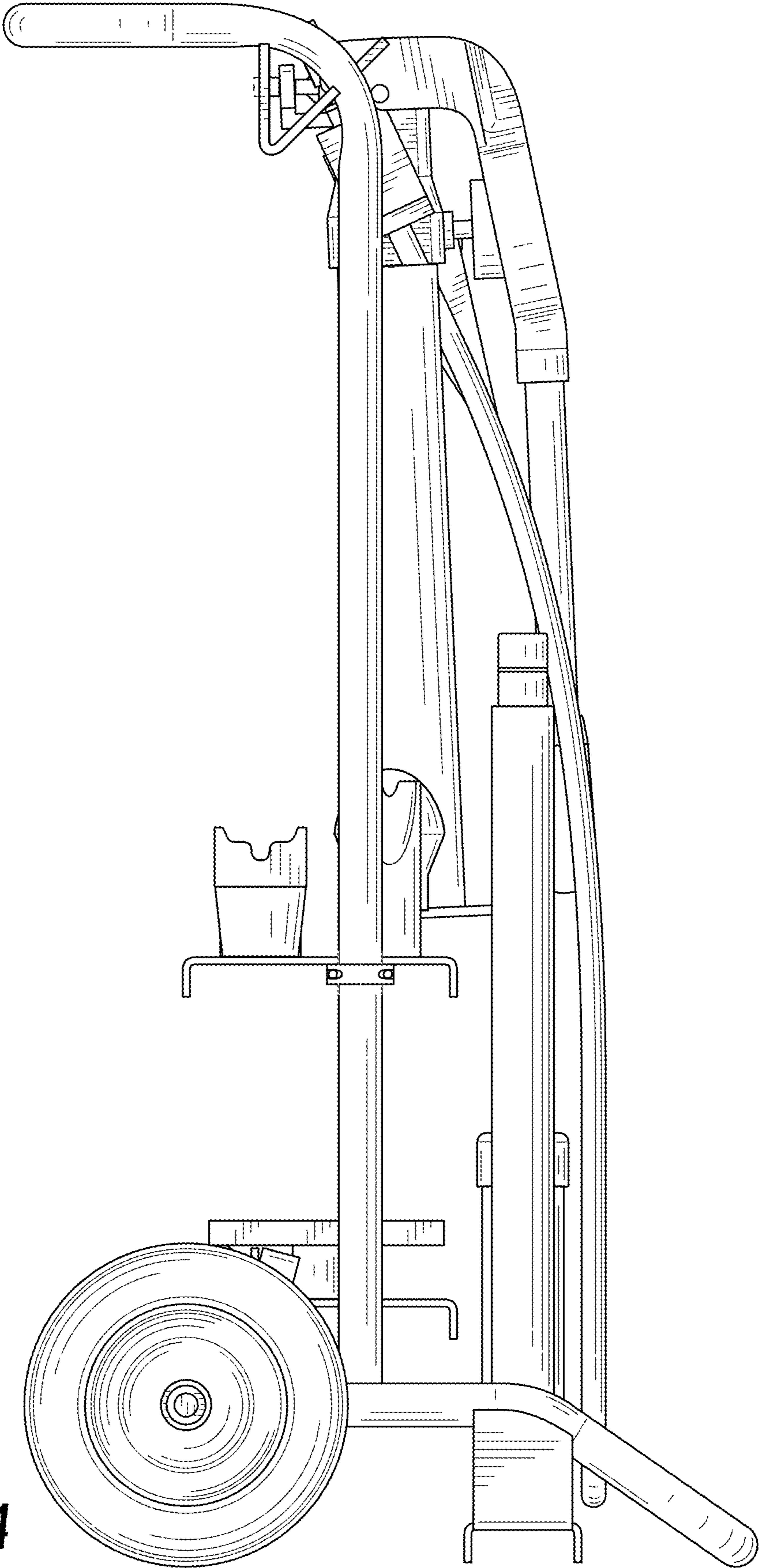


FIG. 4

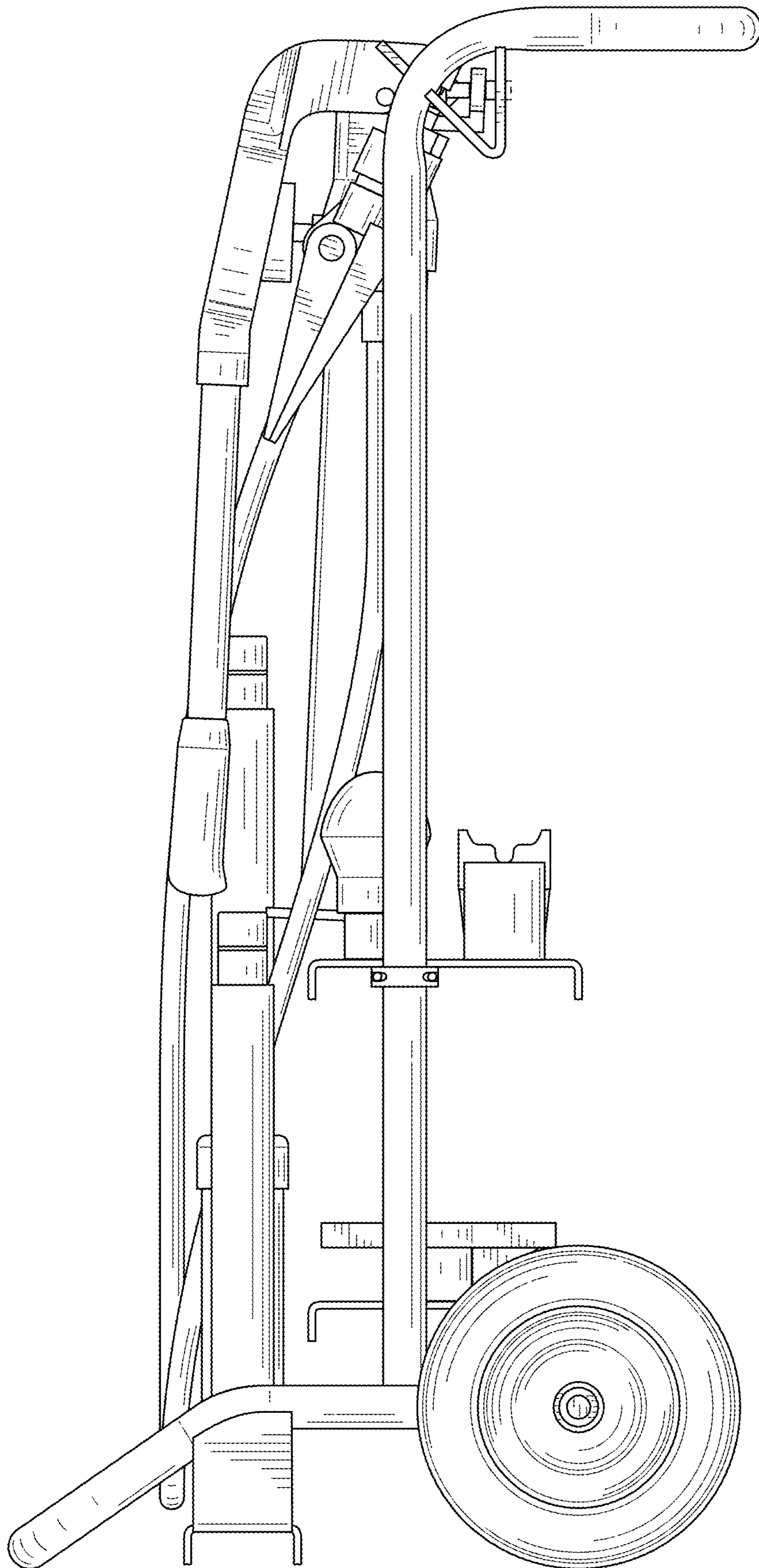


FIG. 5

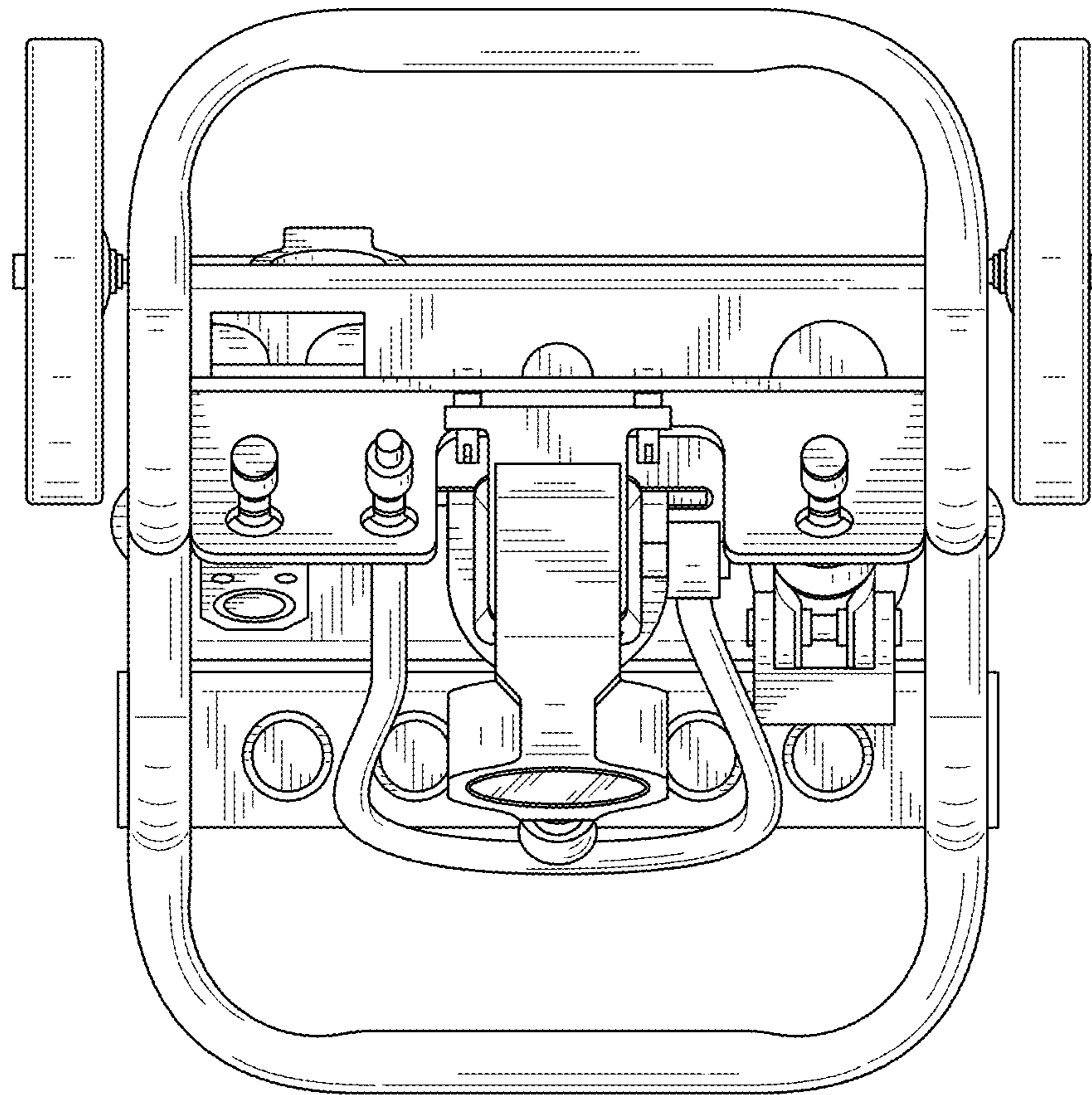


FIG. 6

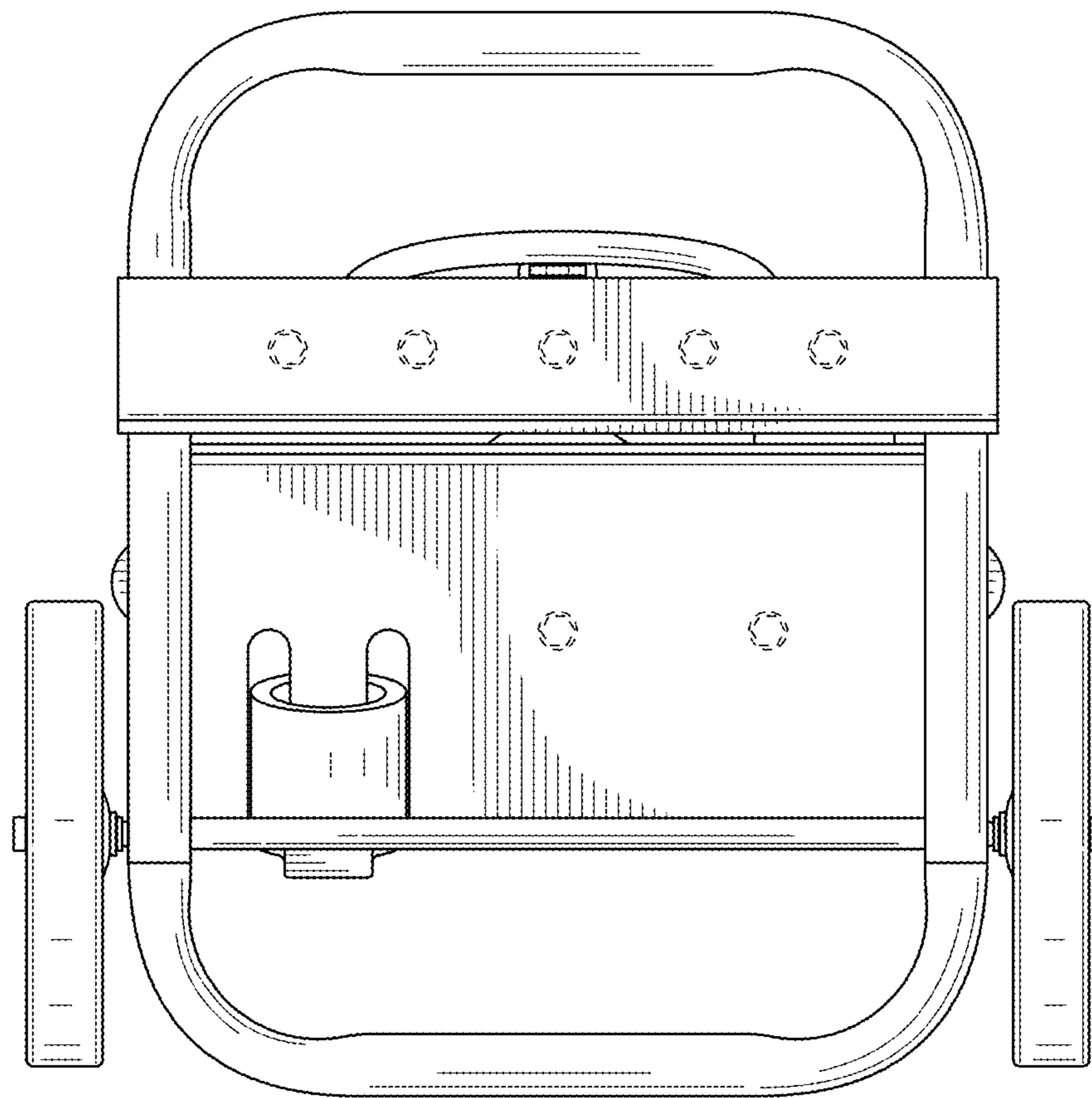


FIG. 7