



US00D935123S

(12) **United States Design Patent** (10) **Patent No.:** **US D935,123 S**  
**Lange** (45) **Date of Patent:** **\*\* Nov. 2, 2021**

(54) **WOOD GRILL SCRAPER**

FOREIGN PATENT DOCUMENTS

(71) Applicant: **CANADIAN TIRE CORPORATION LIMITED**, Toronto (CA)

CN 304928414 \* 12/2018

(72) Inventor: **Joran Van Lange**, Toronto (CA)

OTHER PUBLICATIONS

(73) Assignee: **CANADIAN TIRE CORPORATION LIMITED**

Amazon.com : Great Scrape, reviews 2018, [https://www.amazon.com/Wood-Grill-Scraper-Shovel-Accessory/dp/B077T84PD7/ref=sr\\_...](https://www.amazon.com/Wood-Grill-Scraper-Shovel-Accessory/dp/B077T84PD7/ref=sr_...) site visited Feb. 27, 2021.\*

(\*\*) Term: **15 Years**

(Continued)

(21) Appl. No.: **29/707,654**

*Primary Examiner* — John R Yeh

(74) *Attorney, Agent, or Firm* — Lorelei G. Graham

(22) Filed: **Sep. 30, 2019**

(51) **LOC (13) Cl.** ..... **07-05**

(52) **U.S. Cl.**  
USPC ..... **D32/46**

(58) **Field of Classification Search**  
USPC ..... D32/46, 49-52; D7/688; D8/105;  
D4/104, 138  
CPC ..... A47L 13/10; A47L 13/12; A47J 37/0786;  
A47J 37/00

See application file for complete search history.

(57) **CLAIM**

The ornamental design for the wood grill scraper, as shown and described.

**DESCRIPTION**

FIG. 1 is a left side view of the design for a first embodiment of a wood grill scraper;  
FIG. 2 is a top view thereof;  
FIG. 3 is a front view thereof;  
FIG. 4 is a bottom view thereof;  
FIG. 5 is a right side view thereof;  
FIG. 6 is a back view thereof;  
FIG. 7 is a front, bottom perspective view thereof;  
FIG. 8 is a left side view showing a second embodiment for a wood grill scraper;  
FIG. 9 is a top view thereof;  
FIG. 10 is a front view thereof;  
FIG. 11 is a bottom view thereof;  
FIG. 12 is a right side view thereof;  
FIG. 13 is a back view thereof; and,  
FIG. 14 is a front, bottom perspective view thereof.  
The broken lines in the drawings depict portions of the wood grill scraper that form no part of the claimed design.

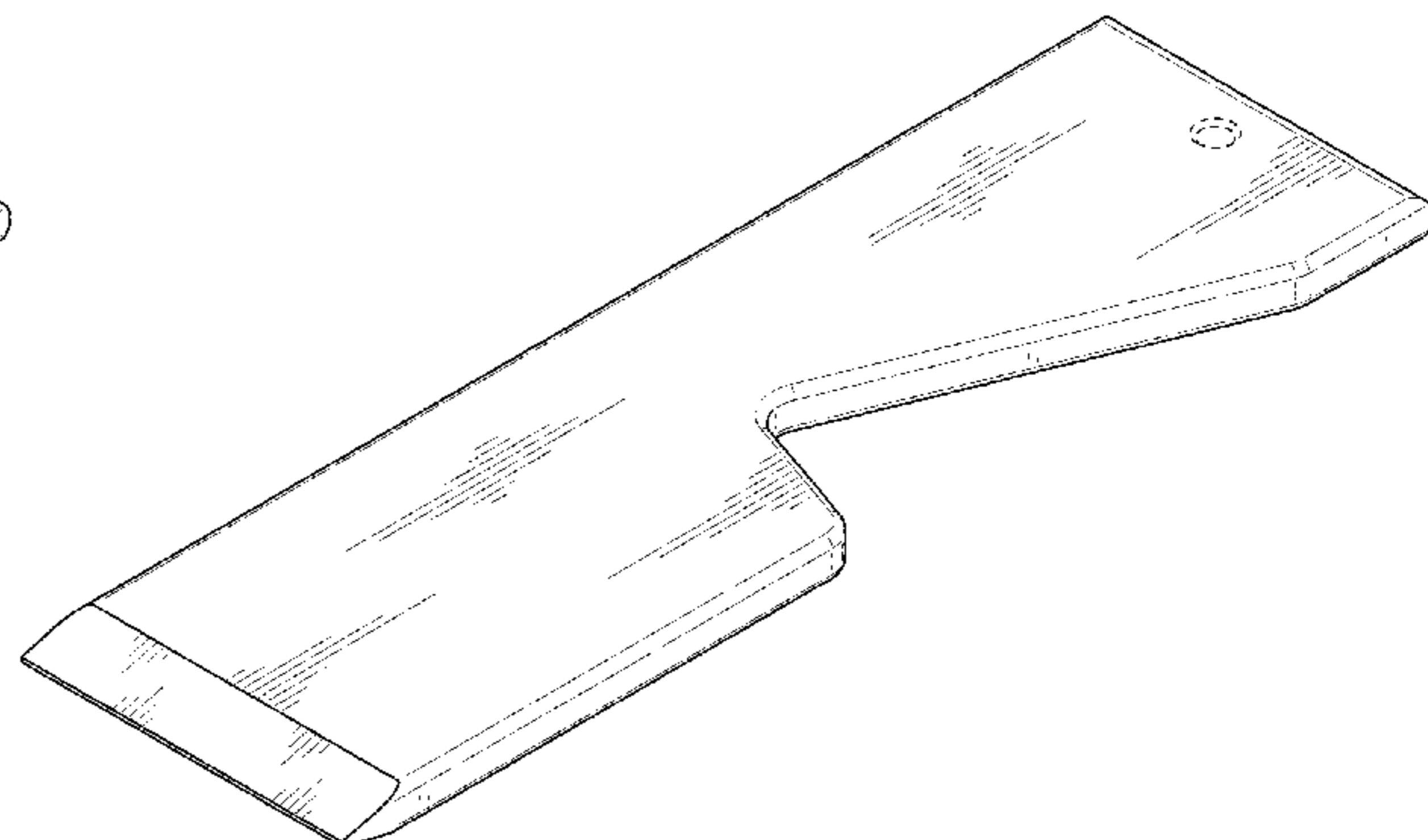
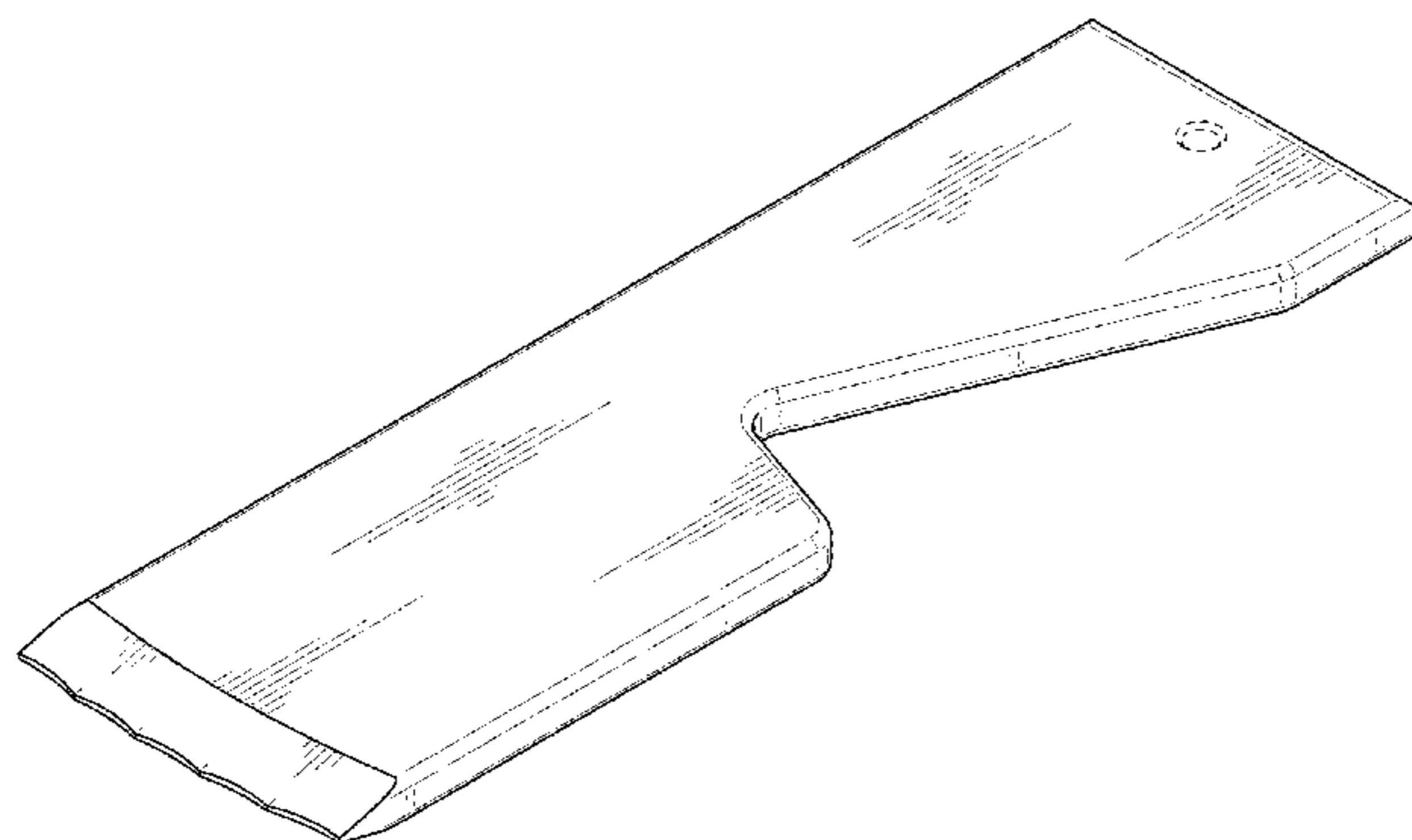
(56) **References Cited**

U.S. PATENT DOCUMENTS

D233,586 S	*	11/1974	Kopp	.....	D32/46
D243,312 S	*	2/1977	Chaney	.....	D32/46
D247,278 S	*	2/1978	Dunn, Jr.	.....	D32/46
D276,564 S	*	11/1984	Leininger	.....	D32/40
D303,859 S	*	10/1989	Durgin	.....	D32/46
D305,818 S	*	1/1990	Chen	.....	D32/46
D324,747 S	*	3/1992	Rood	.....	D32/46
D341,453 S	*	11/1993	Roma	.....	D32/46
D355,281 S	*	2/1995	Hansen	.....	D32/46
D362,936 S	*	10/1995	Shabel	.....	D32/46
D364,015 S	*	11/1995	Stoltzfus	.....	D32/46
D370,099 S	*	5/1996	Mancini	.....	D32/46
D386,857 S	*	11/1997	Lawrence	.....	D32/35
D390,191 S	*	2/1998	Byfield, Jr.	.....	D13/147
D403,815 S	*	1/1999	Inerbickler	.....	D32/46
D456,969 S	*	5/2002	Steinmetz	.....	D32/46
D604,919 S	*	11/2009	Meyer	.....	D32/41

(Continued)

**1 Claim, 14 Drawing Sheets**



(56)

**References Cited**

U.S. PATENT DOCUMENTS

D617,967	S	*	6/2010	Lambert	.....	D32/46
D624,720	S	*	9/2010	Motsenbocker	.....	D32/46
D664,319	S	*	7/2012	Thompson	.....	D32/46
D680,700	S	*	4/2013	Ung	.....	D32/46
D691,773	S	*	10/2013	Chen	.....	D32/46
D785,266	S	*	4/2017	Russell	.....	D32/46
D827,962	S	*	9/2018	Borovicka	.....	D32/40
D828,666	S	*	9/2018	Borovicka	.....	D32/40
D835,370	S	*	12/2018	Thompson	.....	D32/46
D849,349	S	*	5/2019	Boss	.....	D32/46
D860,566	S	*	9/2019	Borovicka	.....	D32/46
D874,772	S	*	2/2020	Thompson	.....	D32/40
D902,515	S	*	11/2020	Sharma	.....	D32/46

OTHER PUBLICATIONS

Amazon.com : Charcoal Companion, reviews 2017, [https://www.amazon.com/Charcoal-Companion-CC4120-Safe-Scrape-Non-Bristle/dp/B01 . . .](https://www.amazon.com/Charcoal-Companion-CC4120-Safe-Scrape-Non-Bristle/dp/B01...) site visited Feb. 27, 2021.\*

\* cited by examiner

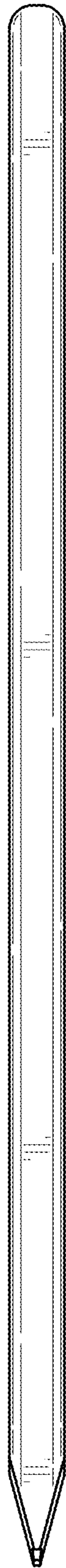


Figure 1



Figure 2

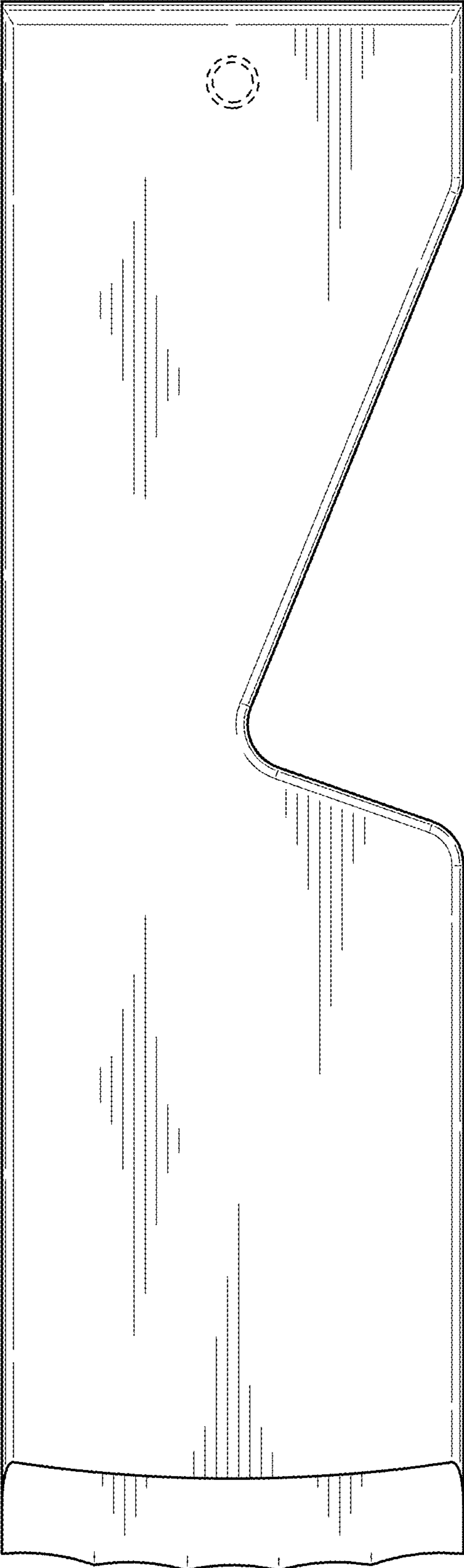


Figure 3

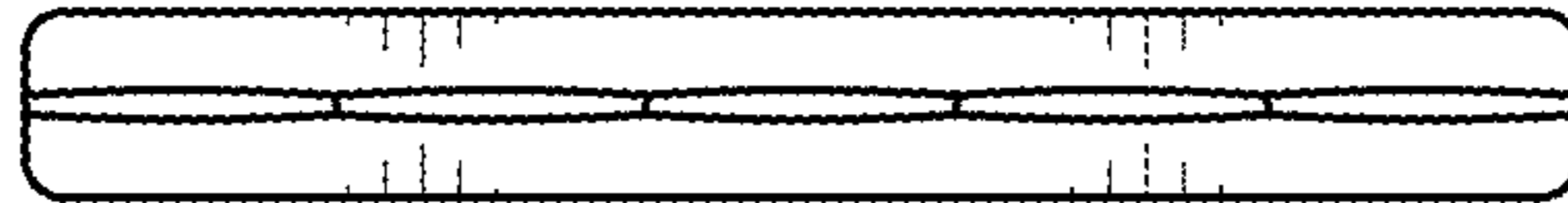


Figure 4

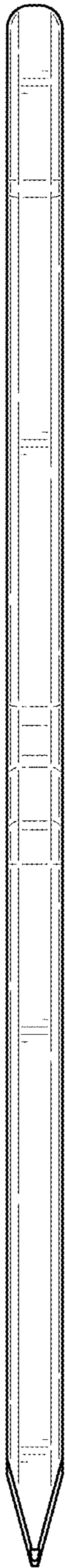


Figure 5

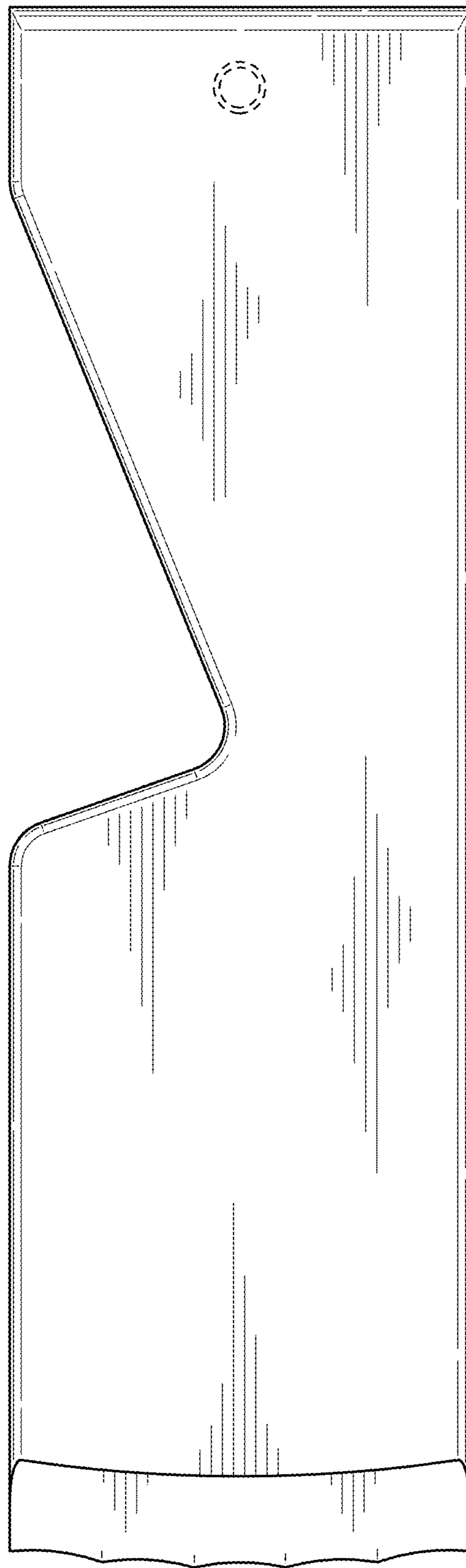


Figure 6



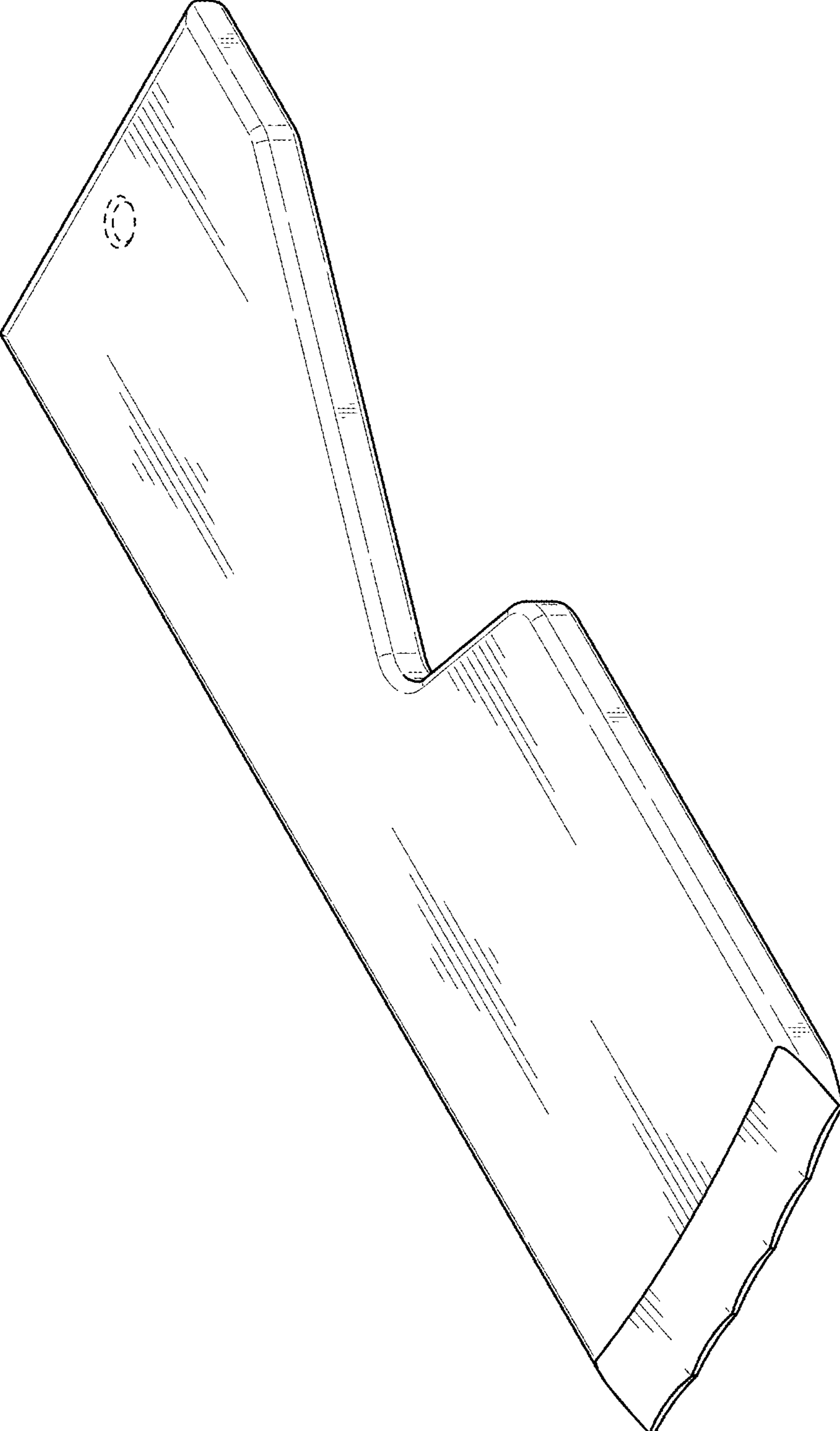


Figure 7

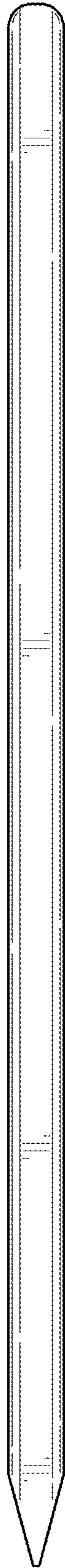


Figure 8



Figure 9

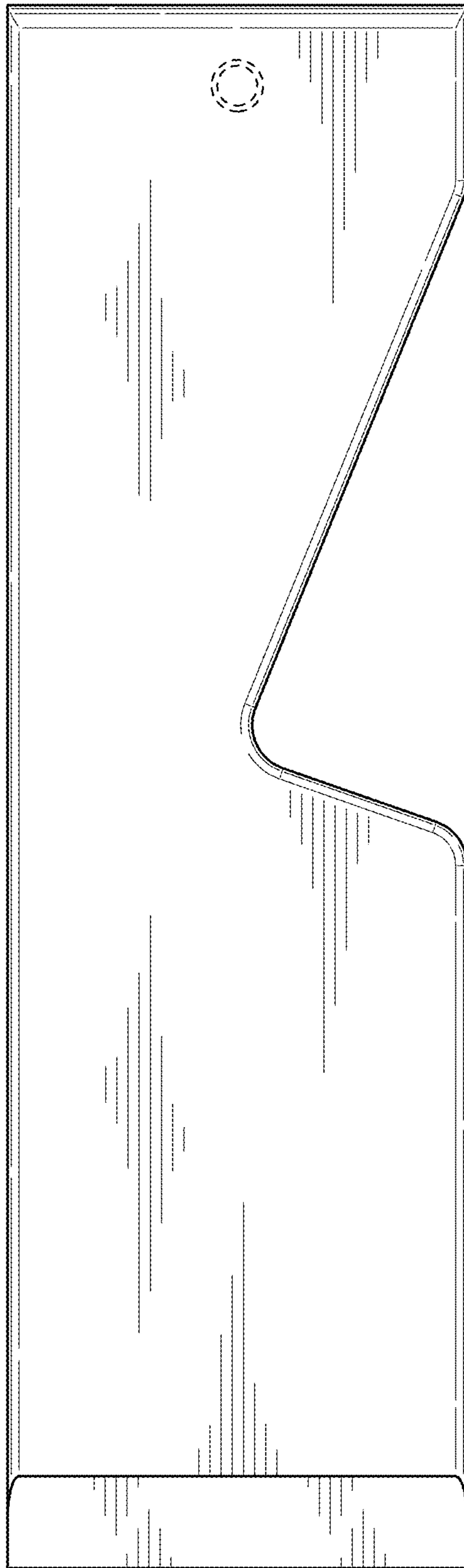


Figure 10



Figure 11

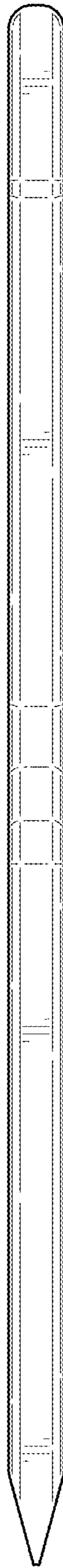


Figure 12

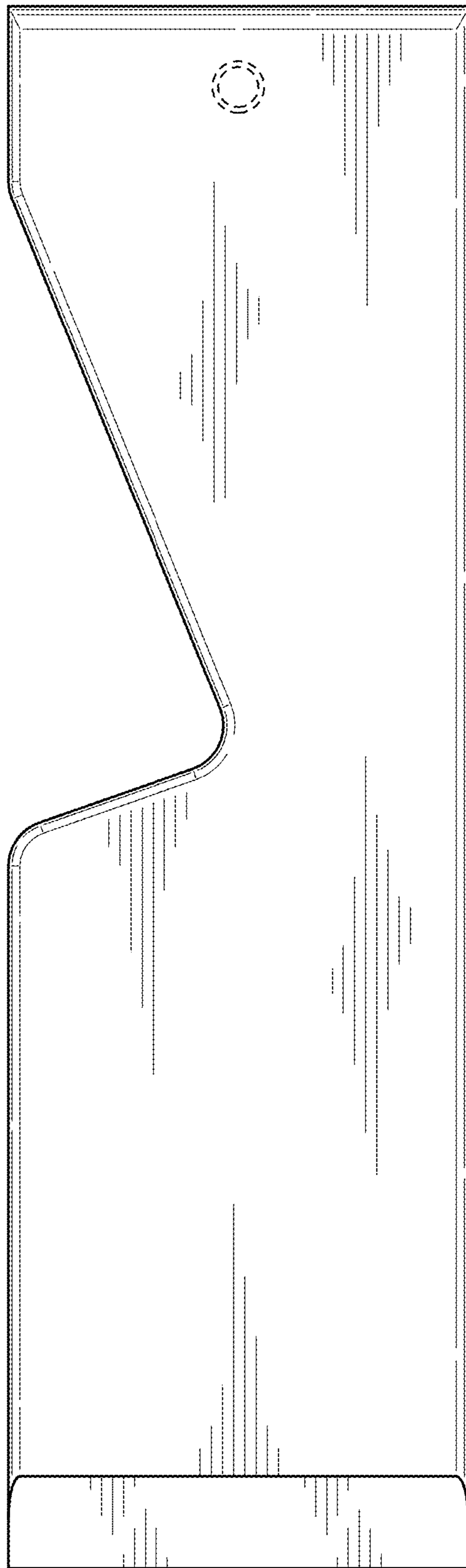


Figure 13

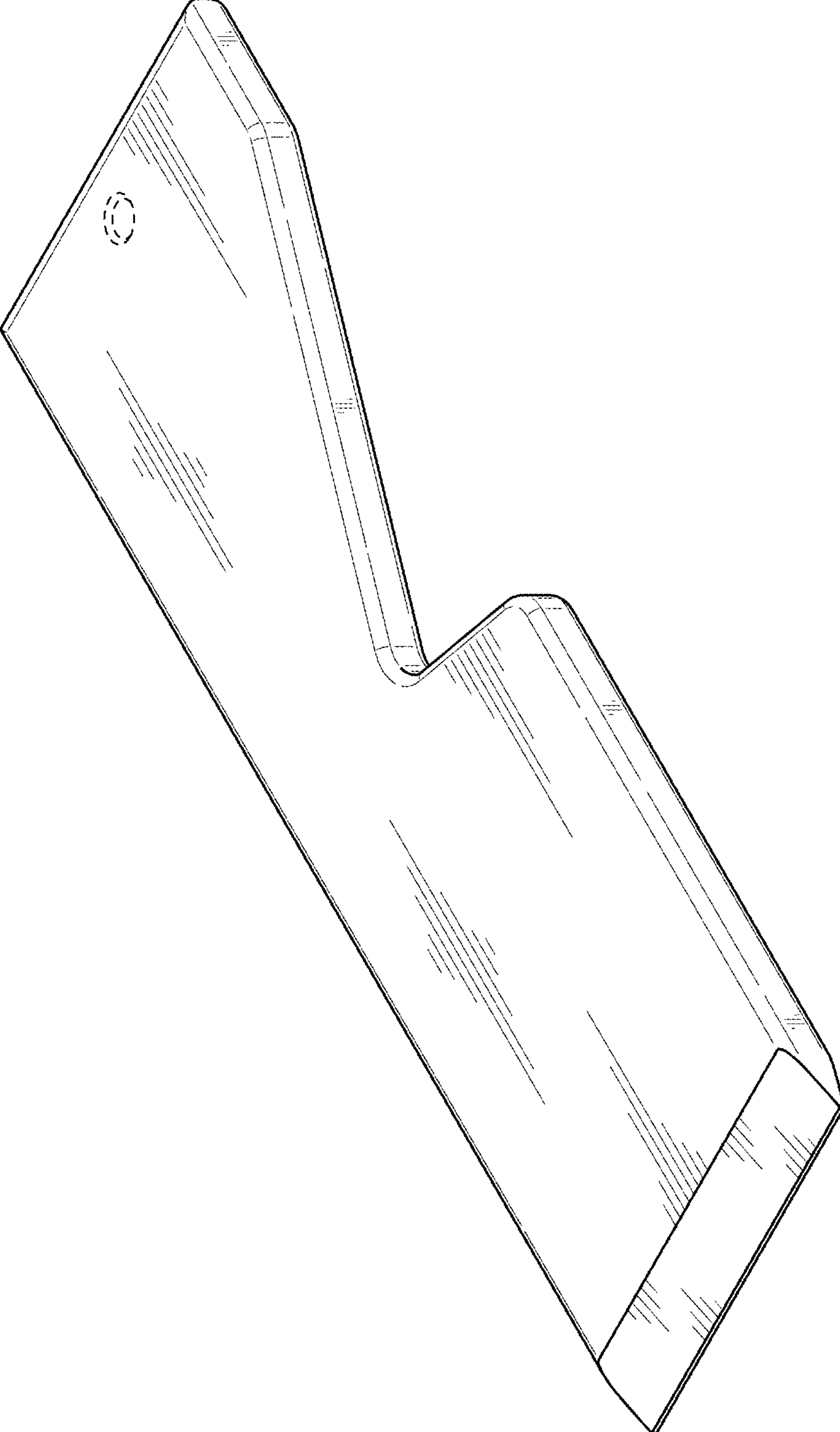


Figure 14