



US00D935122S

(12) **United States Design Patent** (10) **Patent No.:** **US D935,122 S**
Burger (45) **Date of Patent:** **** Nov. 2, 2021**

(54) **CARD SCRAPER**
(71) Applicant: **Grant Burger**, Charlestown, MA (US)
(72) Inventor: **Grant Burger**, Charlestown, MA (US)
(**) Term: **15 Years**
(21) Appl. No.: **29/659,446**
(22) Filed: **Aug. 9, 2018**
(51) **LOC (13) Cl.** **07-05**
(52) **U.S. Cl.**
USPC **D32/46**
(58) **Field of Classification Search**
USPC D7/678; D32/40, 45-46, 50-52; D8/47,
D8/82-86, 90; D21/449; D14/230;
D9/429, 434
CPC A47L 13/255; A47L 13/20; A63H 27/00
See application file for complete search history.

(56) **References Cited**

U.S. PATENT DOCUMENTS

D30,036 S * 1/1899 Rhind D32/46
D257,634 S * 12/1980 Miller D21/449
4,997,401 A * 3/1991 Rose A63H 27/00
446/64
D323,359 S * 1/1992 Rose D21/449
D328,619 S * 8/1992 Ditto D21/449
D379,698 S * 6/1997 Freudenberg D32/40
5,669,803 A * 9/1997 Sweed A63H 27/00
244/154
D386,826 S * 11/1997 Salvino D28/59
5,733,164 A * 3/1998 Albrecht A63H 27/14
446/63
D415,597 S * 10/1999 Neff D32/46
D418,954 S * 1/2000 Ferdenzi D28/63
D481,079 S * 10/2003 Wang D21/436
6,694,563 B2 * 2/2004 Onwugbonu A47K 7/02
15/118
6,702,639 B1 * 3/2004 Tsai A63H 27/00
446/61
D634,905 S * 3/2011 Adams D32/40

D657,927 S * 4/2012 Adams D32/40
D669,648 S * 10/2012 Bilger D32/40
D704,402 S * 5/2014 Patten D32/40
D749,876 S * 2/2016 Harris D6/608
D797,473 S * 9/2017 Wilkinson D24/184
D824,884 S * 8/2018 Ross, III D14/230
D830,028 S * 10/2018 Nichols D32/40
2007/0151064 A1 * 7/2007 O'Connor A47L 13/20
15/231

(Continued)

FOREIGN PATENT DOCUMENTS

CN 302989760 * 11/2014

OTHER PUBLICATIONS

#112 Scraper Plane Comparison | Walke Moore Tools website 2017,
<http://www.walkermooortools.com/112-scraper-plane-comparison/>, site
visited Dec. 21, 2019 (Year: 2017).*

Primary Examiner — John R Yeh
(74) *Attorney, Agent, or Firm* — Pierce Atwood LLP;
Kevin M. Farrell

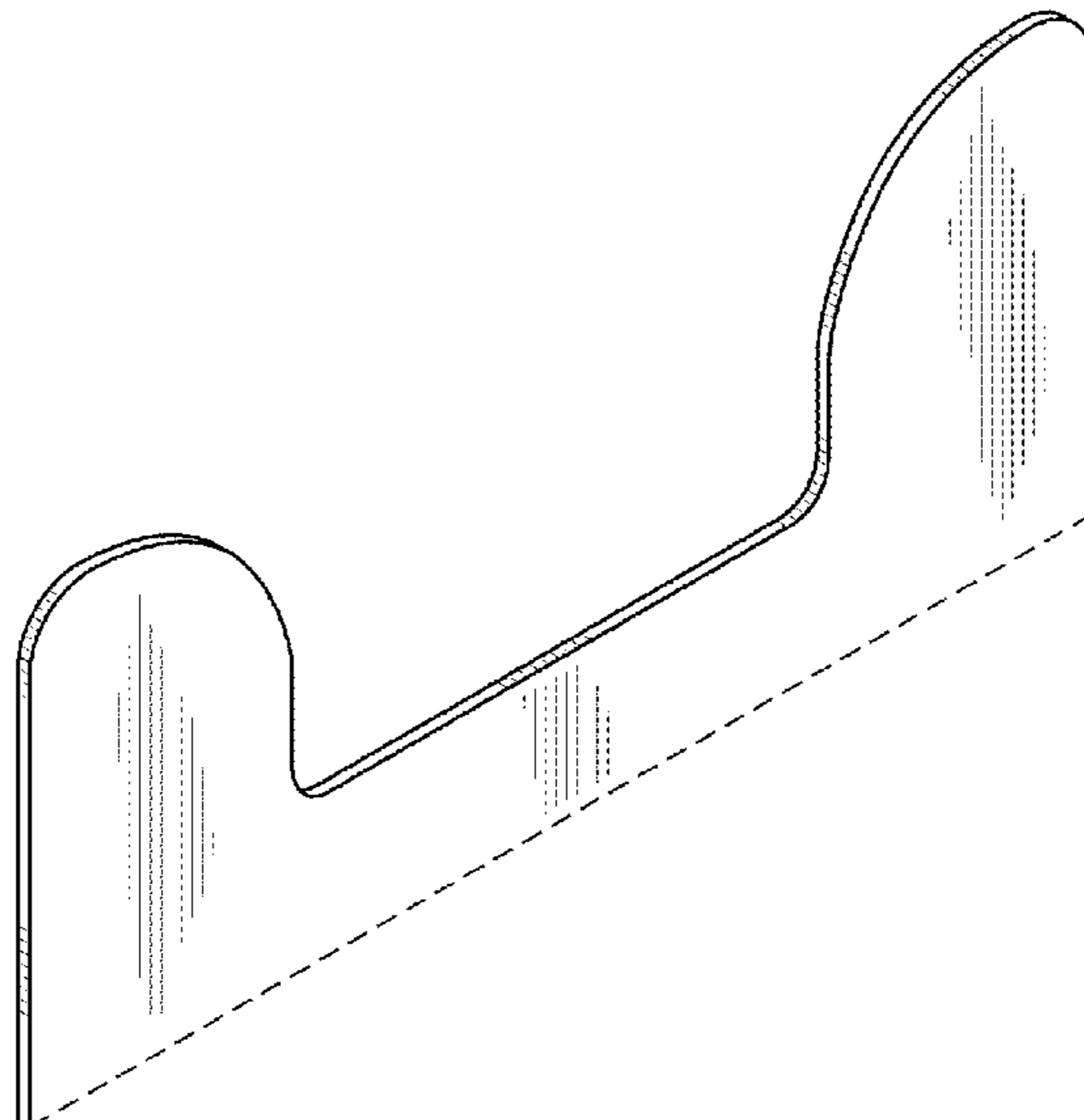
(57) **CLAIM**

The ornamental design for a card scraper, as shown and described.

DESCRIPTION

FIG. 1 is a perspective view of a card scraper;
FIG. 2 is a top view of the card scraper;
FIG. 3 is a front view of the card scraper, with the rear view
being identical;
FIG. 4 is a right side view of the card scraper; with the left
side view being identical; and,
FIG. 5 is a bottom view of the card scraper.
The broken line showing of the card scraper is for the
purpose of illustrating a portion of the article and forms no
part of the claimed design.

1 Claim, 1 Drawing Sheet



(56)

References Cited

U.S. PATENT DOCUMENTS

2016/0061242 A1* 3/2016 Cacioppo A47C 19/025
5/282.1

* cited by examiner

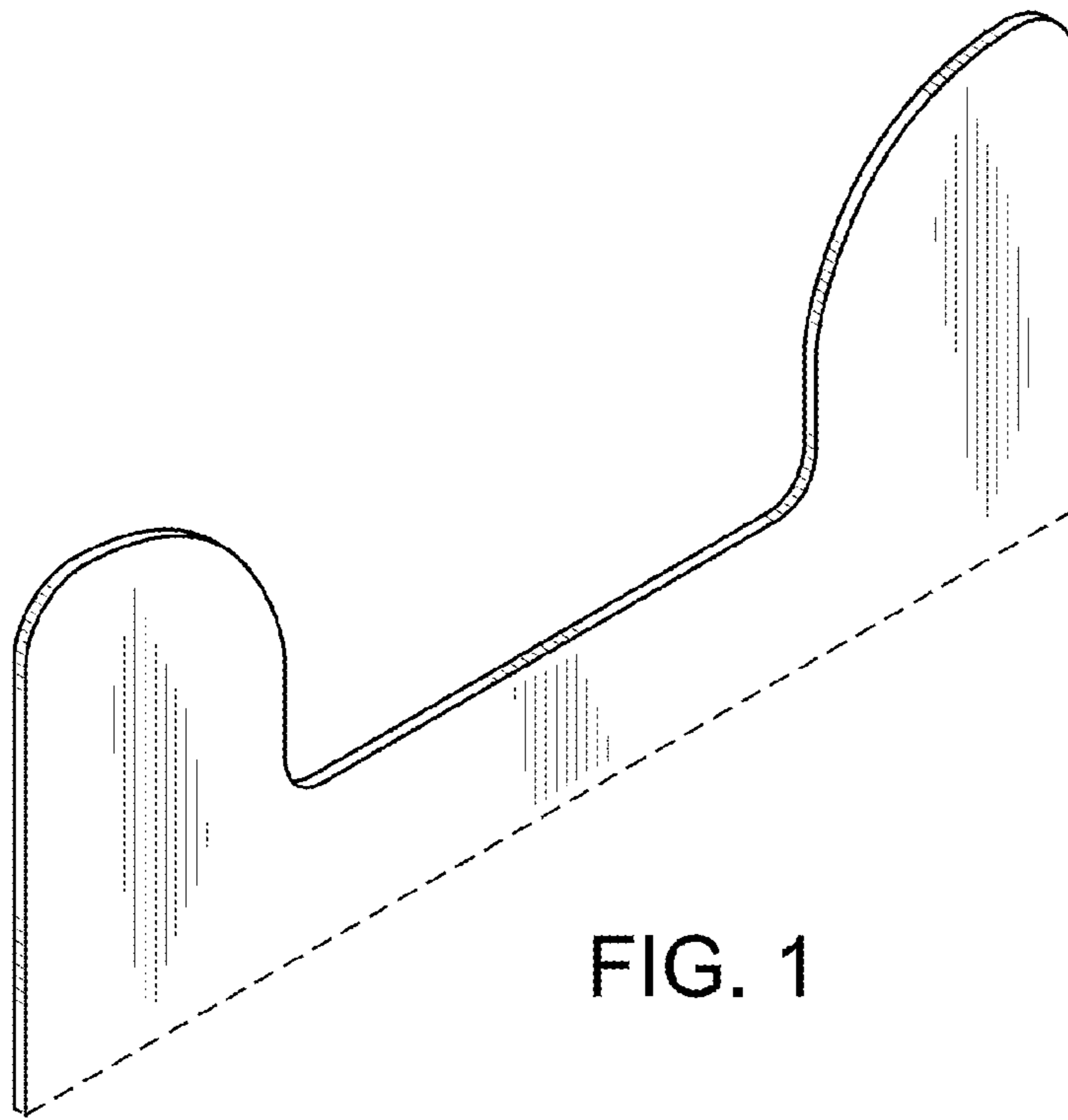


FIG. 1

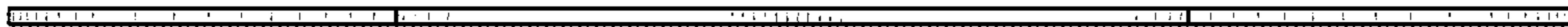


FIG. 2

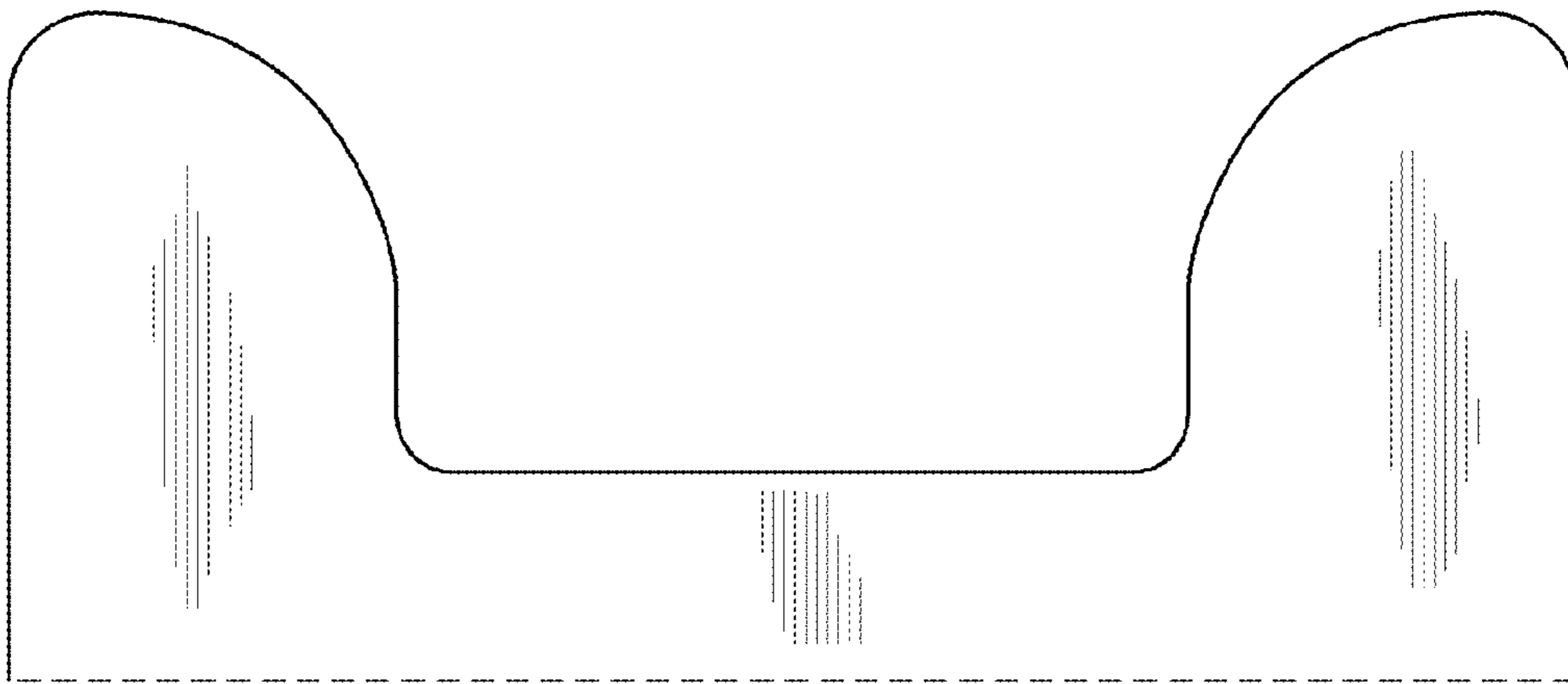


FIG. 3



FIG. 4

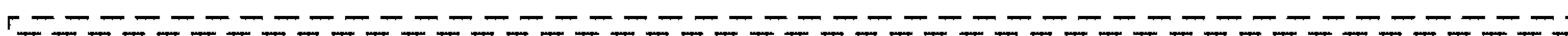


FIG. 5