



US00D935121S

(12) **United States Design Patent** (10) **Patent No.:** **US D935,121 S**  
**Luo** (45) **Date of Patent:** **\*\* Nov. 2, 2021**

(54) **CLEANER HEAD**

(71) Applicant: **SHENZHEN HANFU TRADING COMPANY, Shenzhen (CN)**

(72) Inventor: **Yicheng Luo, Shenzhen (CN)**

(73) Assignee: **SHENZHEN HANFU TRADING COMPANY, Shenzhen (CN)**

(\*\*) Term: **15 Years**

(21) Appl. No.: **29/769,377**

(22) Filed: **Feb. 4, 2021**

(51) **LOC (13) Cl.** ..... **15-05**

(52) **U.S. Cl.**  
USPC ..... **D32/32**

(58) **Field of Classification Search**  
USPC ..... D32/17-25, 31-34  
CPC ..... A47L 7/00; A47L 9/02; A47L 5/28; A47L 9/102; A47L 9/1608; A47L 9/1683; A47L 5/30; A47L 9/00; A47L 9/04; A47L 9/0422; A47L 9/0461; A47L 9/06; A47L 9/0488; A47L 11/00; A47L 11/20; A47L 11/22; A47L 11/24; A47L 11/32; A47L 11/302; A47L 11/40  
See application file for complete search history.

(56) **References Cited**

**U.S. PATENT DOCUMENTS**

D622,465	S *	8/2010	Crawley	.....	D32/33
D709,258	S *	7/2014	Guder	.....	D32/32
D770,711	S	11/2016	Okada		
D776,889	S *	1/2017	Yoneda	.....	D32/32
9,554,680	B2 *	1/2017	Elsdon	.....	A47L 9/0405
9,907,446	B2 *	3/2018	Toole	.....	A47L 9/02
9,949,605	B2 *	4/2018	Isley	.....	A47L 9/0477
10,117,554	B2 *	11/2018	Williamson	.....	A46B 13/00
D839,517	S *	1/2019	Nam	.....	D32/32

D862,011	S *	10/2019	Kim	.....	D32/22
D870,406	S *	12/2019	Niedzwecki	.....	D32/33
D879,397	S *	3/2020	Kim	.....	D32/32
D880,089	S *	3/2020	Kim	.....	D32/32
D880,091	S	3/2020	Tokoi		
D882,196	S *	4/2020	Lee	.....	D32/33
D905,360	S *	12/2020	Ma	.....	D32/22
D912,344	S *	3/2021	Choi	.....	D32/22
D912,348	S *	3/2021	Choi	.....	D32/32
D920,609	S *	5/2021	Ma	.....	D32/21
D921,307	S *	6/2021	Boulet	.....	D32/17
D922,015	S *	6/2021	Polden	.....	D32/32
D927,809	S *	8/2021	Kim	.....	D32/32
2014/0033473	A1 *	2/2014	McVey	.....	A47L 9/02 15/415.1
2018/0192836	A1 *	7/2018	Dodgson	.....	A47L 9/0494
2020/0187739	A1 *	6/2020	Choi	.....	A47L 9/14
2020/0221914	A1 *	7/2020	Kim	.....	A47L 9/242
2020/0245831	A1 *	8/2020	Peng	.....	A47L 9/02

\* cited by examiner

*Primary Examiner* — Kimberly Barnes

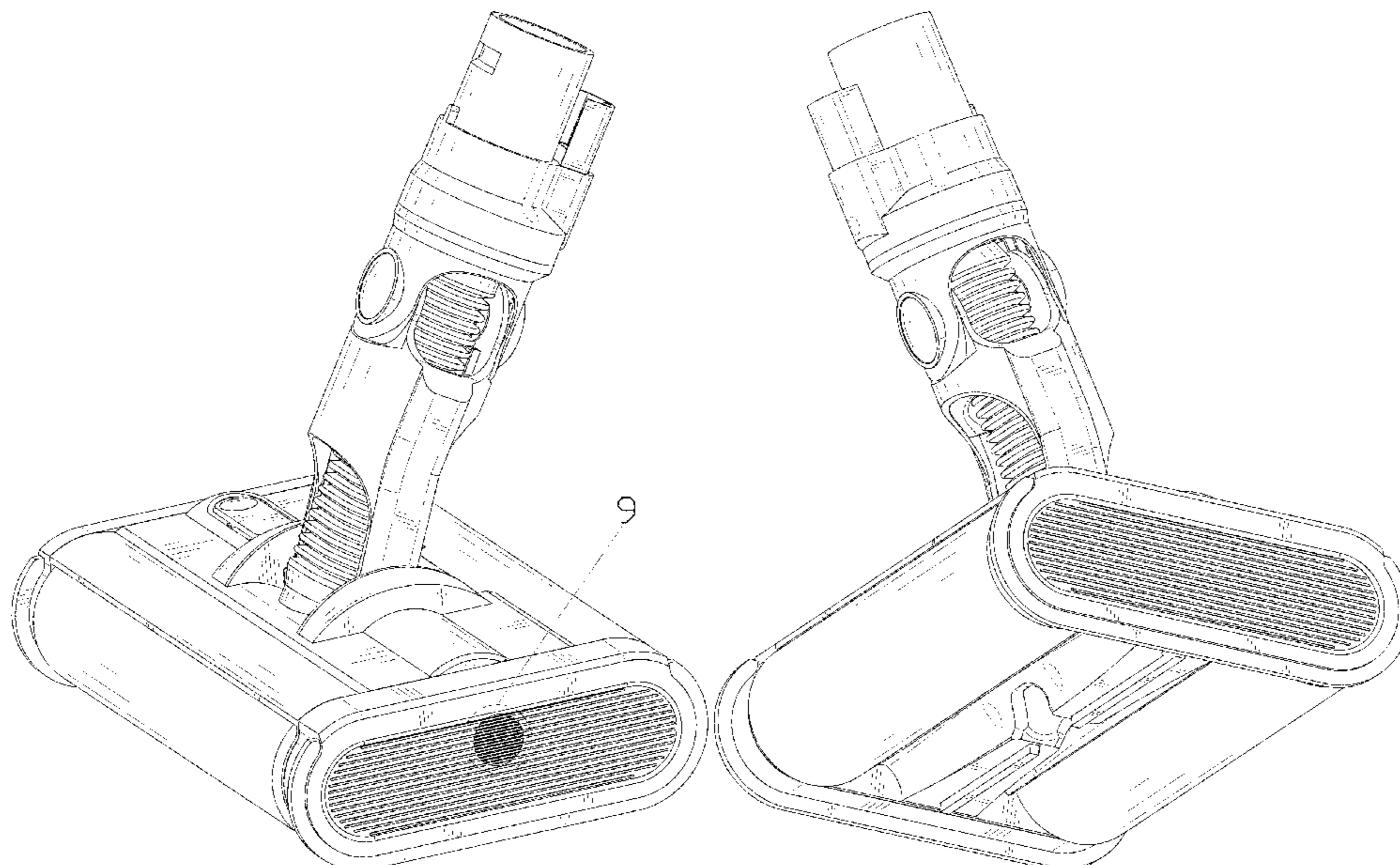
(57) **CLAIM**

The ornamental design for a cleaner head, as shown and described.

**DESCRIPTION**

FIG. 1 is a perspective view of a cleaner head showing my new design;  
FIG. 2 is another perspective view thereof;  
FIG. 3 is a front elevational view thereof;  
FIG. 4 is a rear elevational view thereof;  
FIG. 5 is a left side elevational view thereof;  
FIG. 6 is a right side elevational view thereof;  
FIG. 7 is a top plan view thereof;  
FIG. 8 is a bottom plan view thereof; and,  
FIG. 9 is an enlarged view of portion 9 shown in FIG. 1.  
The broken lines in the drawings depict portions of the cleaner head that form no part of the claimed design.

**1 Claim, 9 Drawing Sheets**



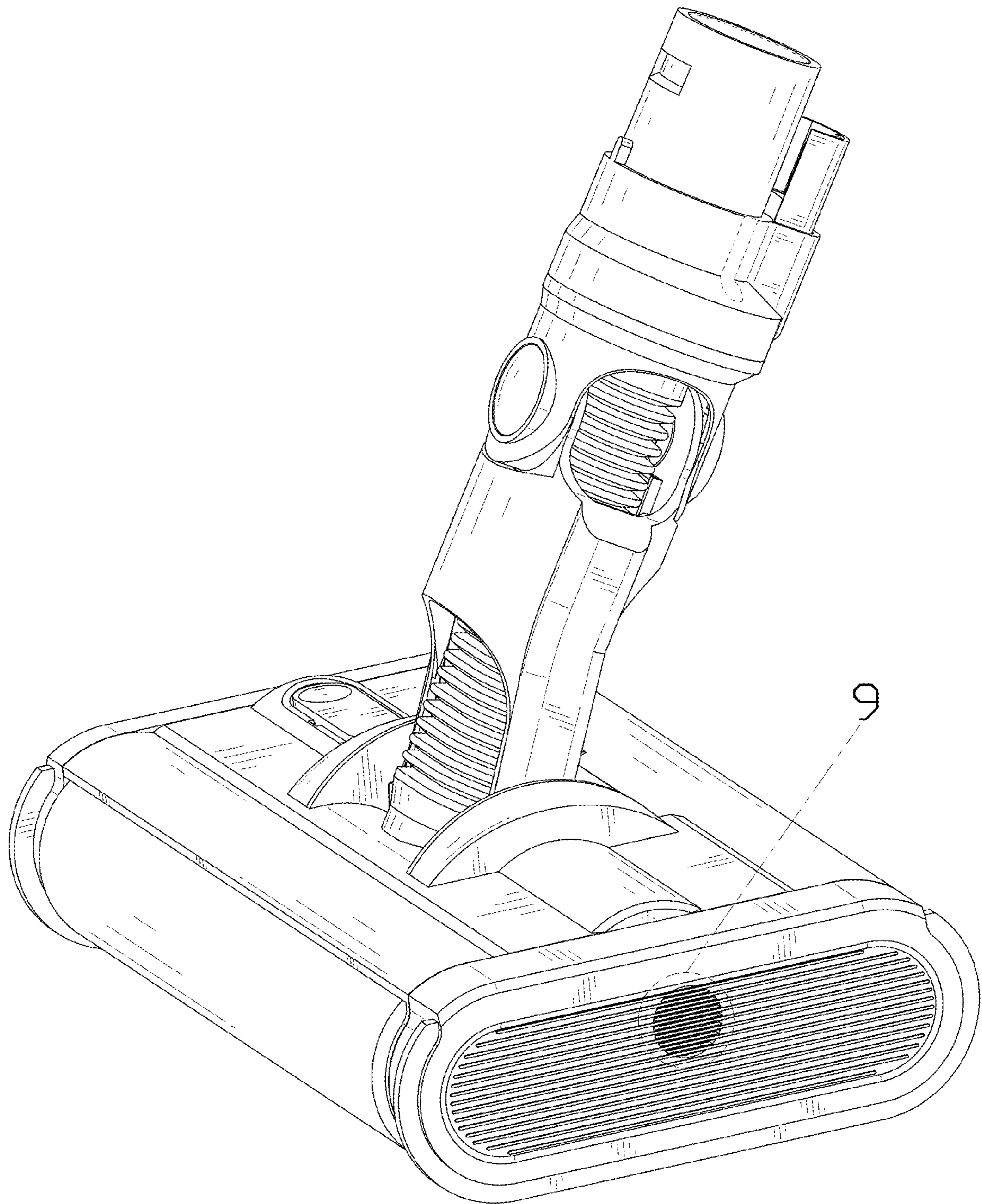


FIG. 1

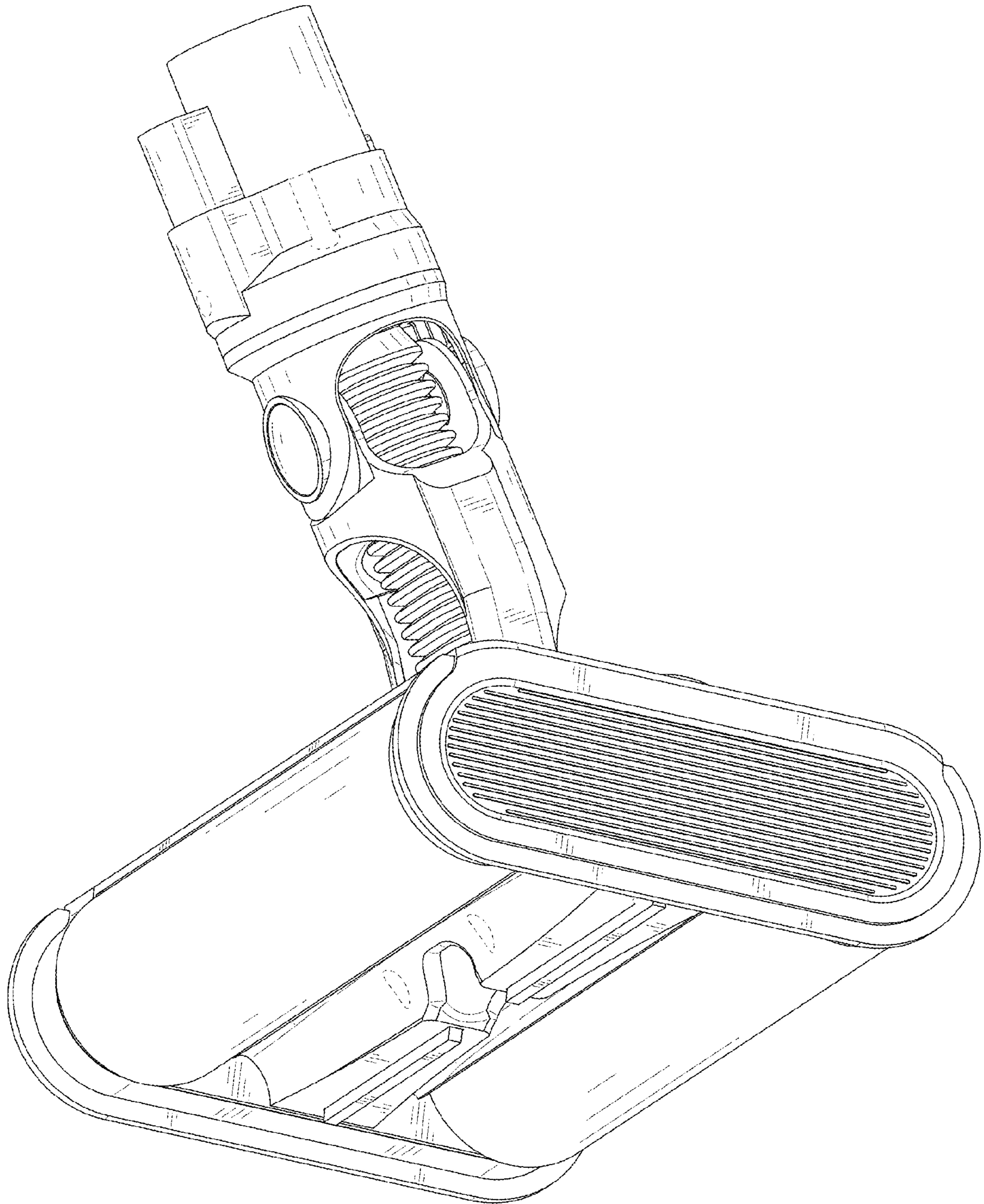


FIG. 2

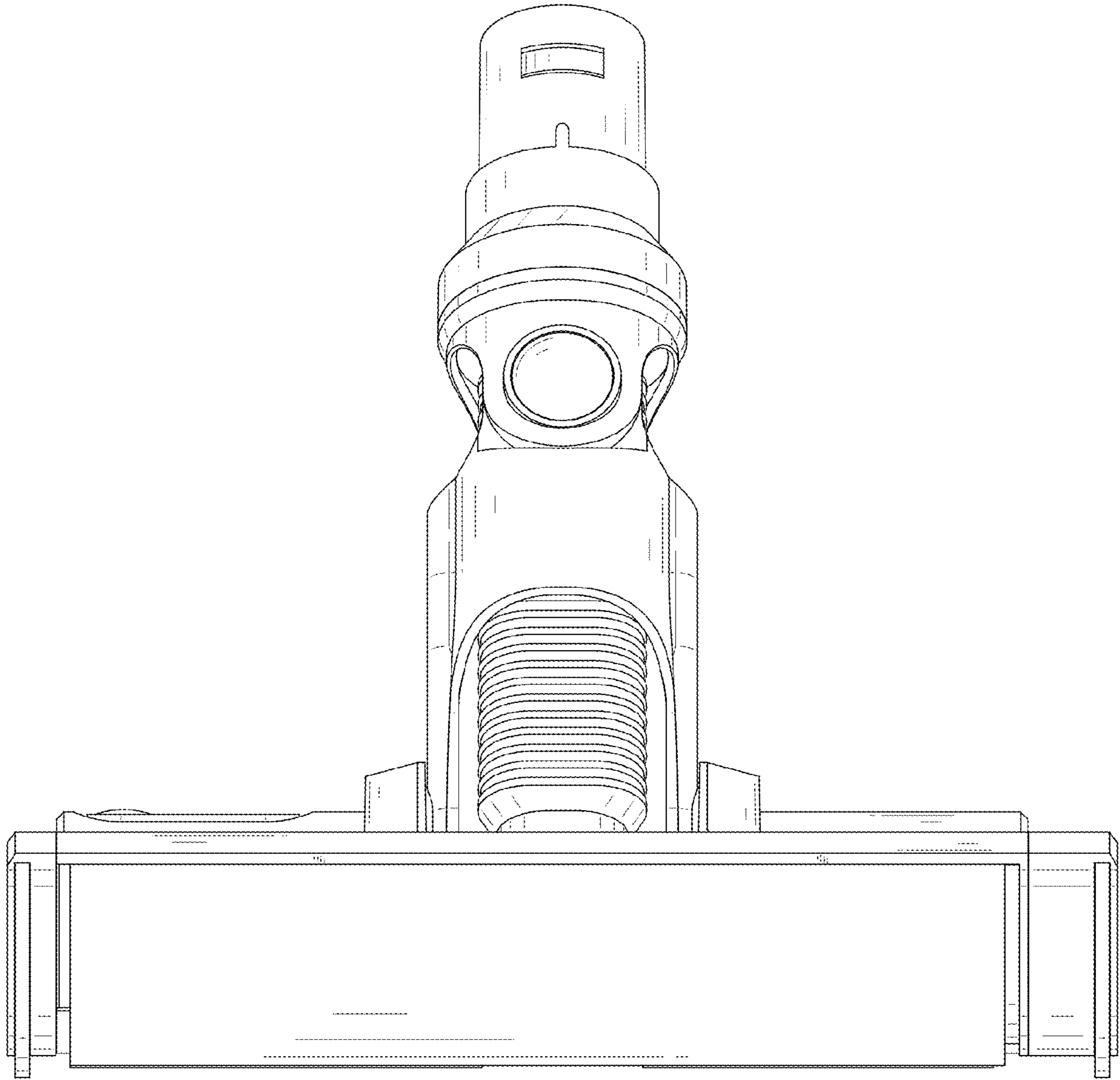


FIG. 3

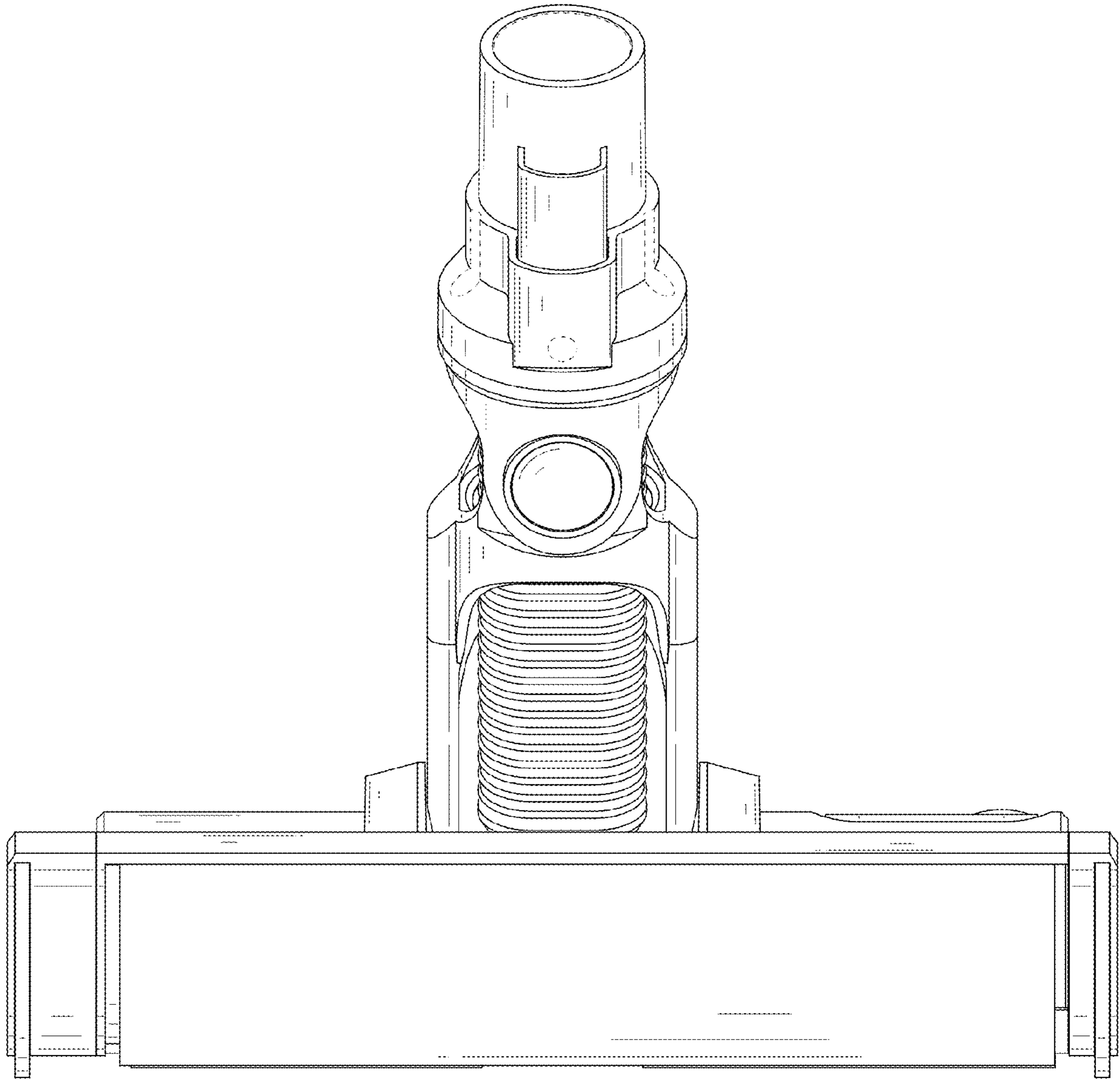


FIG. 4

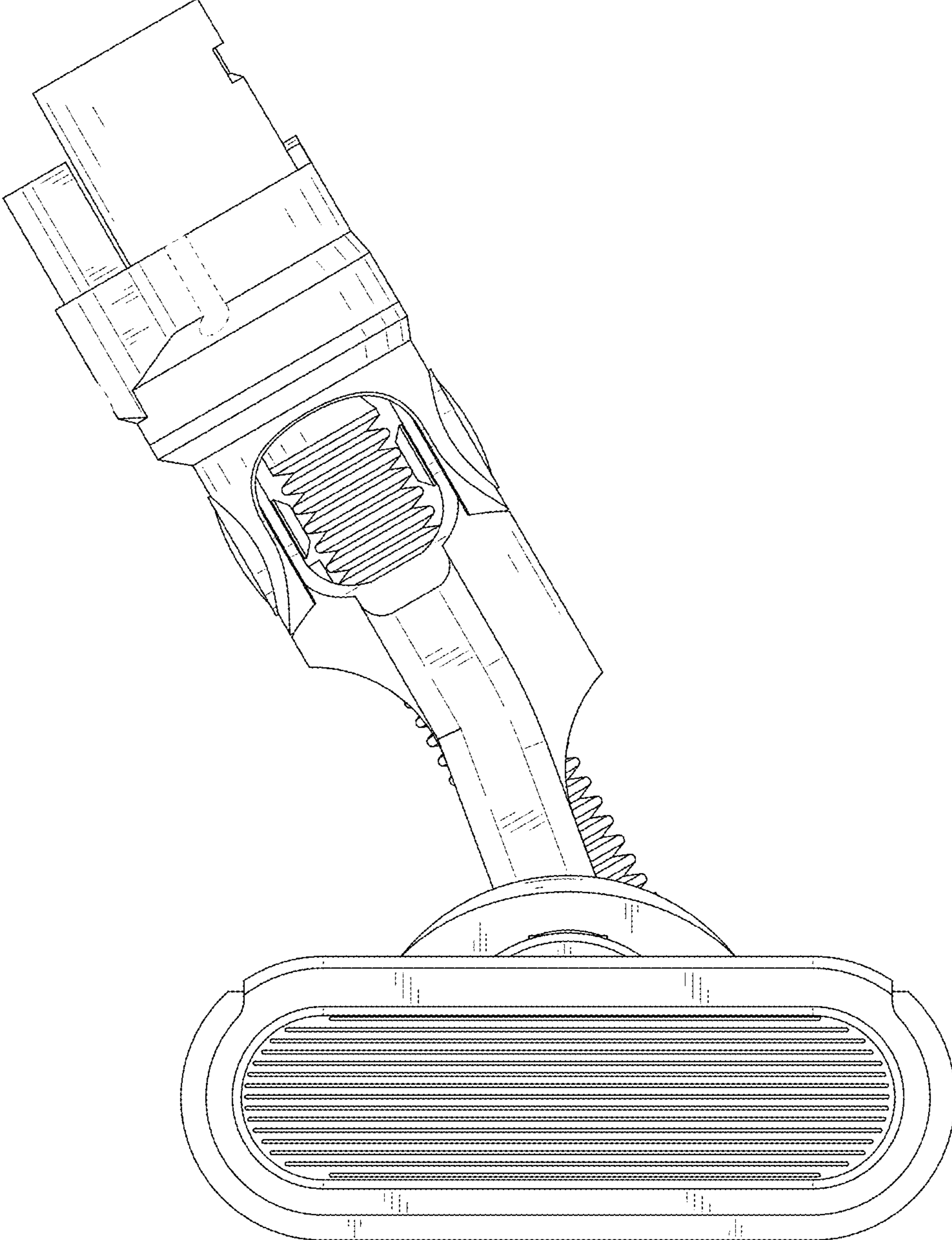


FIG. 5

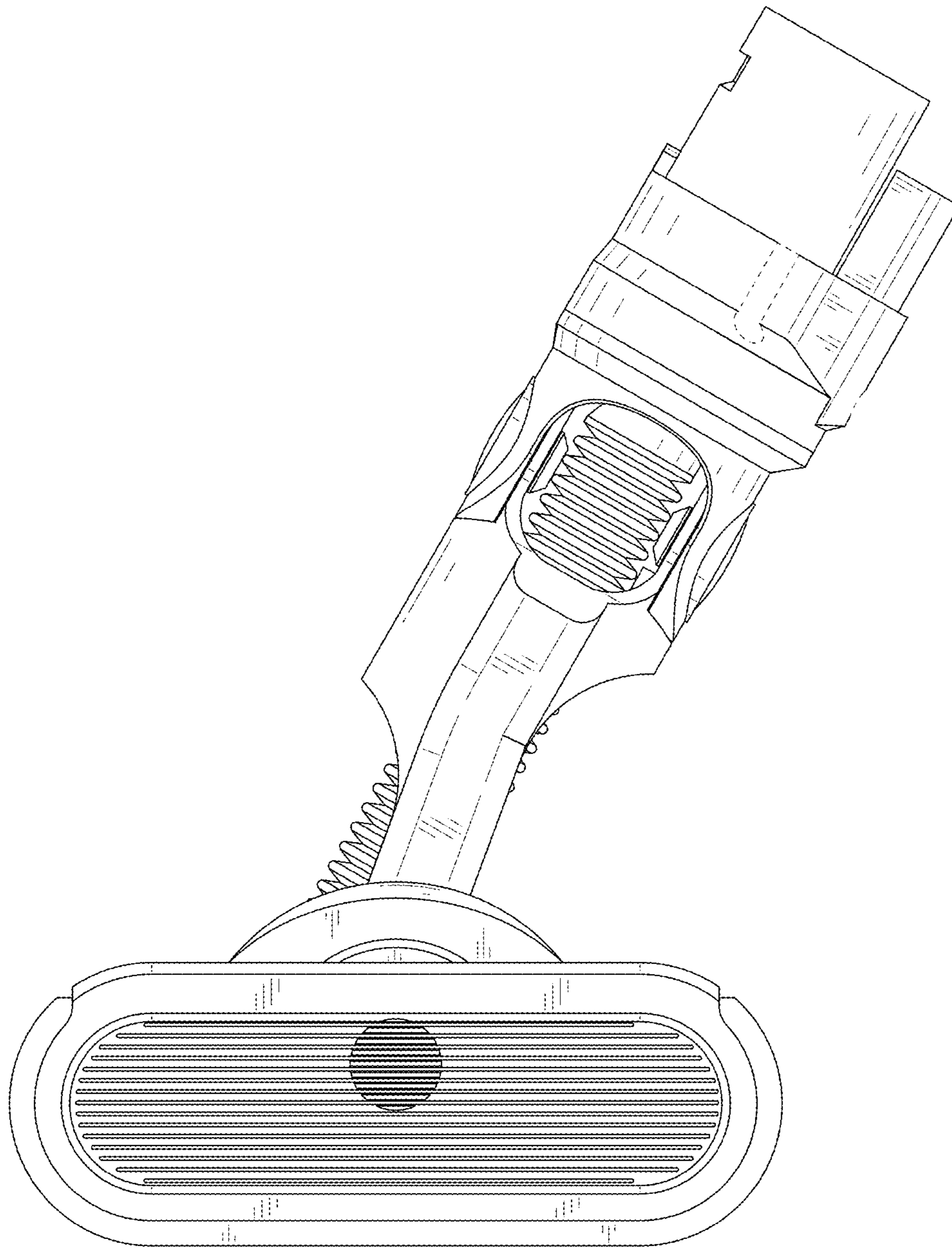


FIG. 6

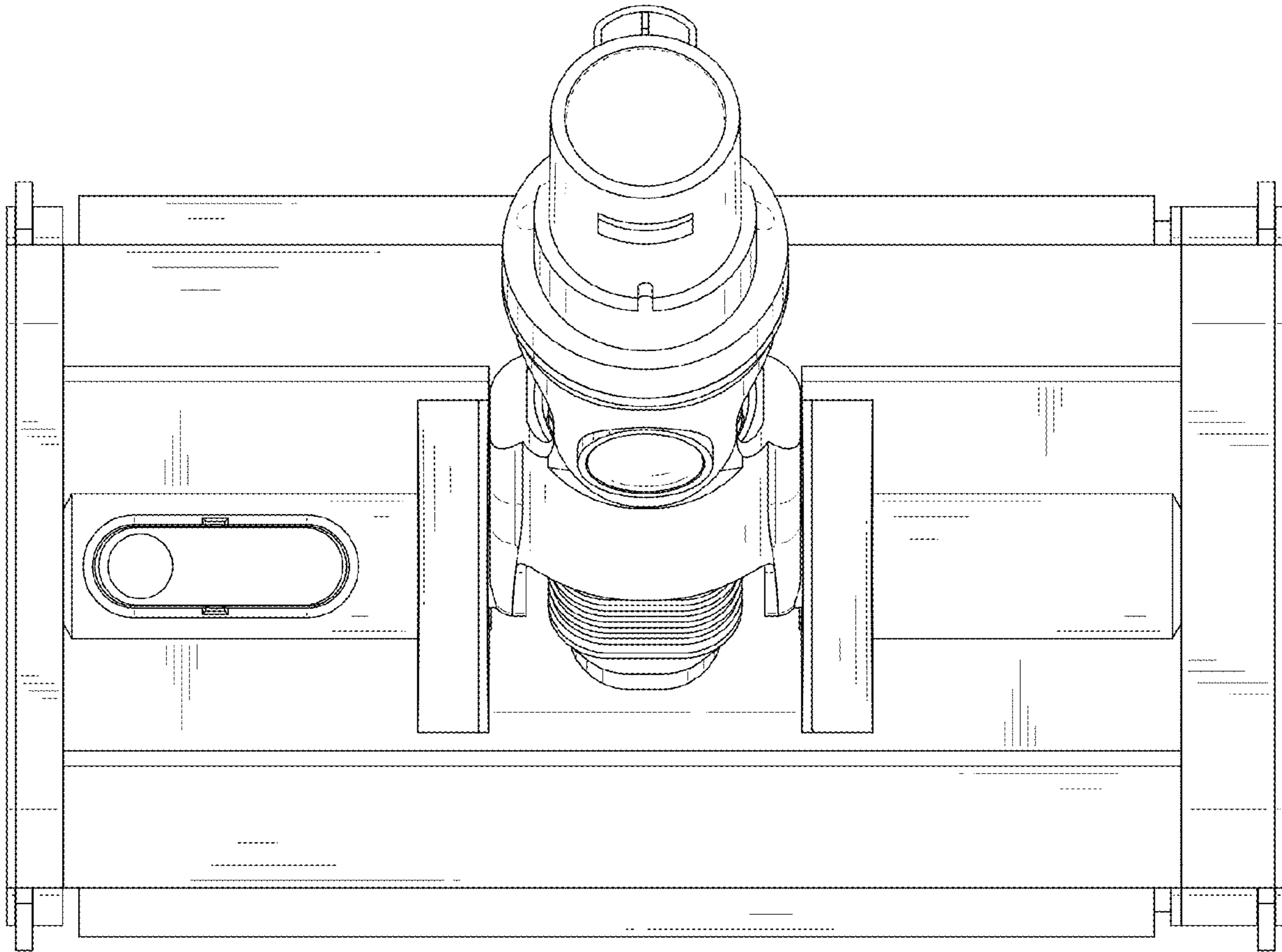


FIG. 7



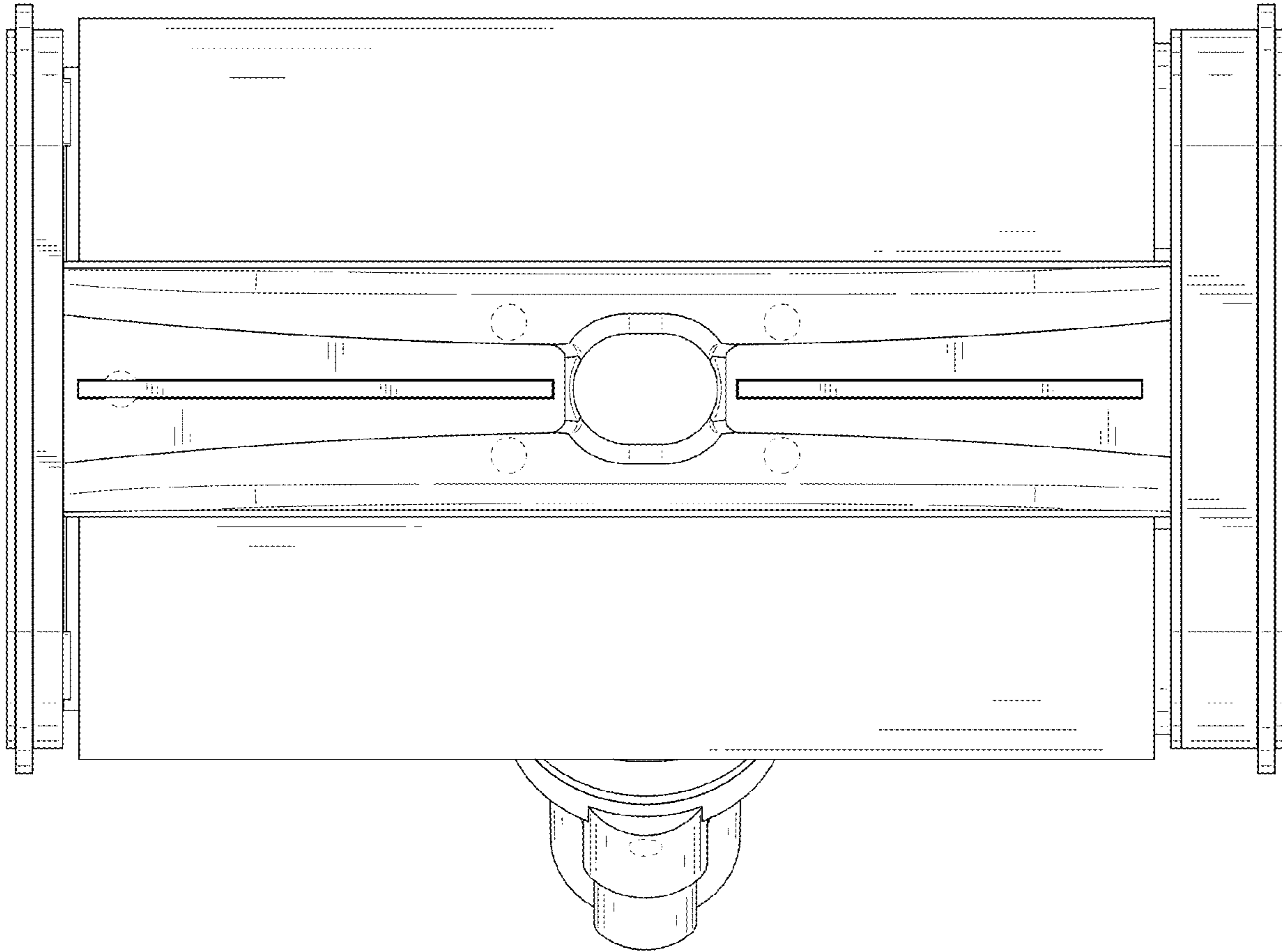


FIG. 8

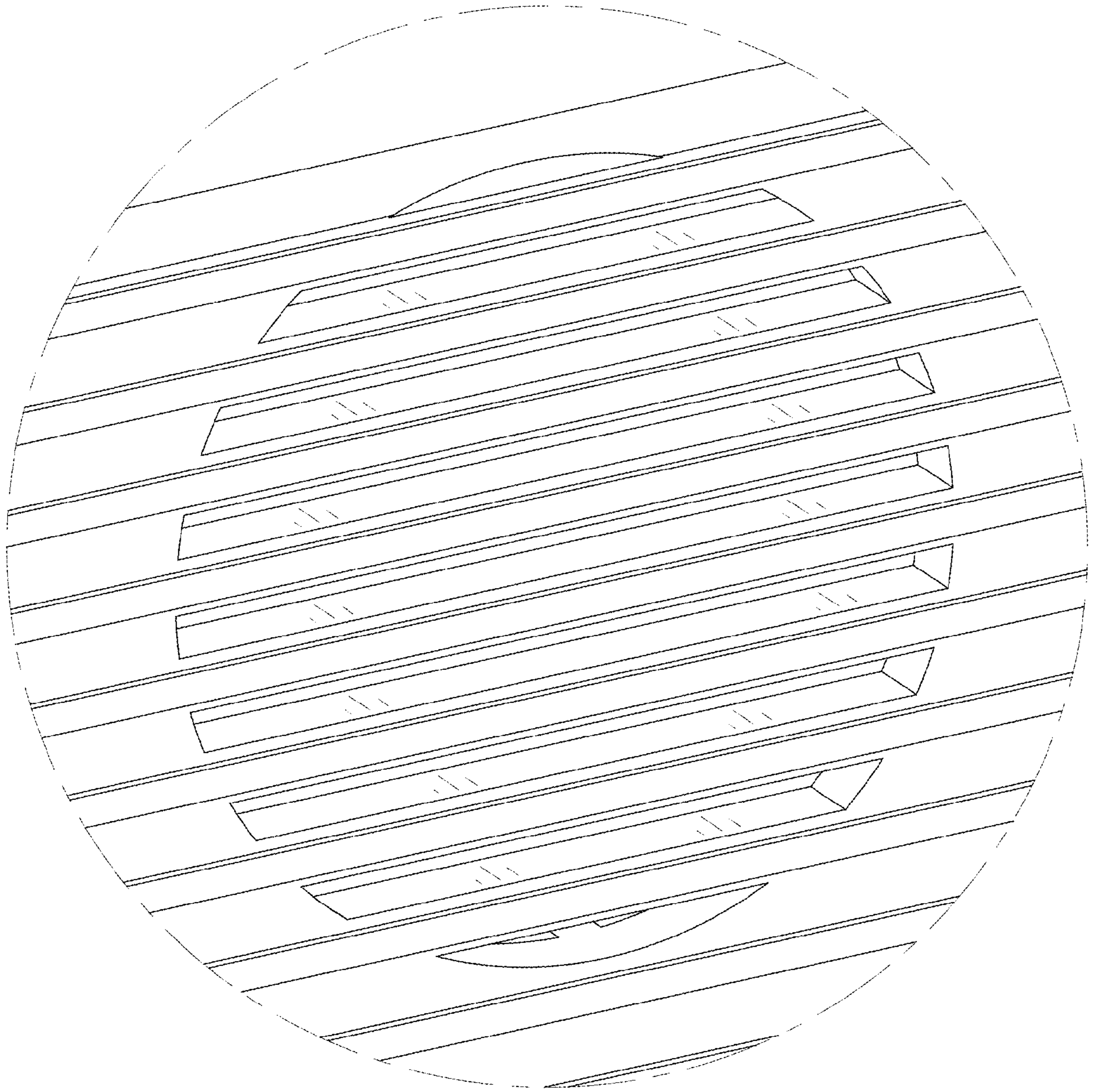


FIG. 9