



US00D935119S

(12) **United States Design Patent**
Wu et al.

(10) **Patent No.:** **US D935,119 S**

(45) **Date of Patent:** **** Nov. 2, 2021**

(54) **AUTOMATIC WATER SURFACE SKIMMER**

(71) Applicant: **Nuoya Robot (Zhejiang) Co., Ltd.**,
Zhejiang (CN)

(72) Inventors: **Yajun Wu**, Zhejiang (CN); **Xinyue Fan**,
Zhejiang (CN); **Jingming Li**, Zhejiang (CN); **Hongwei Tan**,
Zhejiang (CN)

(73) Assignee: **NUOYA ROBOT (ZHEJIANG) CO., LTD.**,
Huzhou (CN)

(**) Term: **15 Years**

(21) Appl. No.: **29/739,958**

(22) Filed: **Jun. 30, 2020**

(30) **Foreign Application Priority Data**

Dec. 31, 2019 (CN) 201930746222.1

(51) **LOC (13) Cl.** **15-05**

(52) **U.S. Cl.**
USPC **D32/21**

(58) **Field of Classification Search**

USPC D32/16, 19, 21, 38

CPC E02B 15/104; B63B 59/02

See application file for complete search history.

(56) **References Cited**

U.S. PATENT DOCUMENTS

D391,708 S *	3/1998	Canavan	D32/38
D497,694 S *	10/2004	Wareham	D32/19
D630,808 S *	1/2011	Dye	D32/21
D630,809 S *	1/2011	Dye	D32/21
D704,398 S *	5/2014	Tinius	D32/16
D783,911 S *	4/2017	Bu	D32/21
D785,879 S *	5/2017	Bu	D32/21
D870,401 S *	12/2019	Supron	D32/21

(Continued)

OTHER PUBLICATIONS

Robotic Pool Cleaner https://www.amazon.com/Instapark-Automatic-Compatible-Chlorine-Generators/dp/B0882M9ZQR/ref=sr_1_18_sspa (Year: 2020).*

(Continued)

Primary Examiner — Michelle E. Wilson

Assistant Examiner — Richard E. Yenchesky

(74) *Attorney, Agent, or Firm* — Muncy, Geissler, Olds & Lowe, P.C.

(57) **CLAIM**

The ornamental design for an automatic water surface skimmer, as shown and described.

DESCRIPTION

FIG. 1 is a perspective view of an automatic water surface skimmer showing our new design;

FIG. 2 is another perspective view thereof;

FIG. 3 is a front elevational view thereof;

FIG. 4 is a rear elevational view thereof;

FIG. 5 is a left side view thereof;

FIG. 6 is a right side view thereof;

FIG. 7 is a top plan view thereof;

FIG. 8 is a bottom plan view thereof;

FIG. 9 is a portion of the perspective view of FIG. 1 enlarged for magnification purposes, the structure in the corresponding portion at the right side being a mirror image;

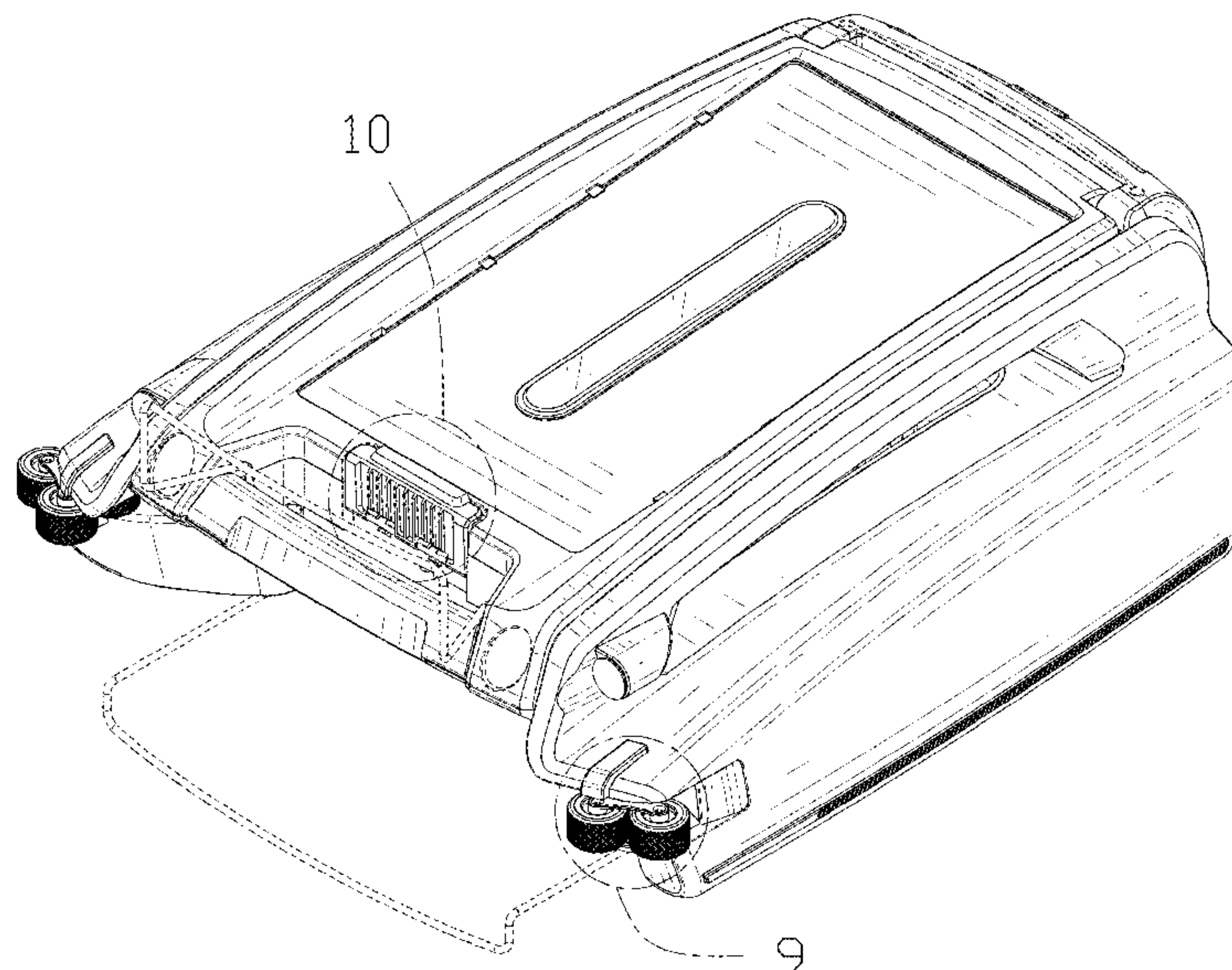
FIG. 10 is another portion of the perspective view of FIG. 1 enlarged for magnification purposes;

FIG. 11 is a portion of the perspective view of FIG. 2 enlarged for magnification purposes; and,

FIG. 12 is another portion of the perspective view of FIG. 2 enlarged for magnification purposes, the structure in the corresponding portion in FIG. 1 being a mirror image.

The broken lines illustrate portions of the automatic water surface skimmer which form no part of the claimed design.

1 Claim, 12 Drawing Sheets



(56)

References Cited

U.S. PATENT DOCUMENTS

2021/0129948 A1* 5/2021 Wang E02B 15/104
2021/0197932 A1* 7/2021 Wu B63B 59/02

OTHER PUBLICATIONS

Solar Breeze <https://www.robotshop.com/en/solar-breeze-ariel-automatic-pool-cleaner-robot-us.html> (Year: 2021).*

* cited by examiner

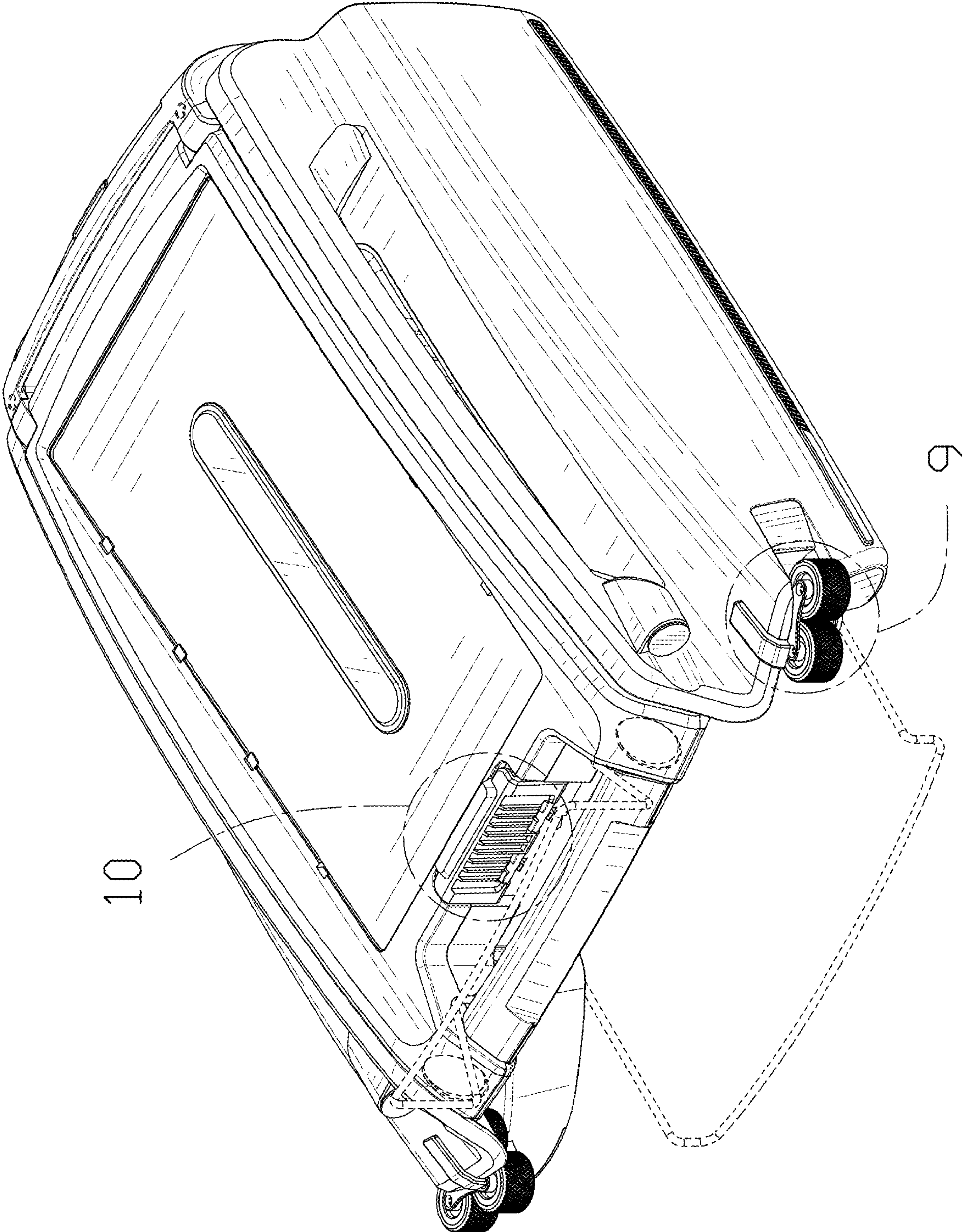


FIG. 1

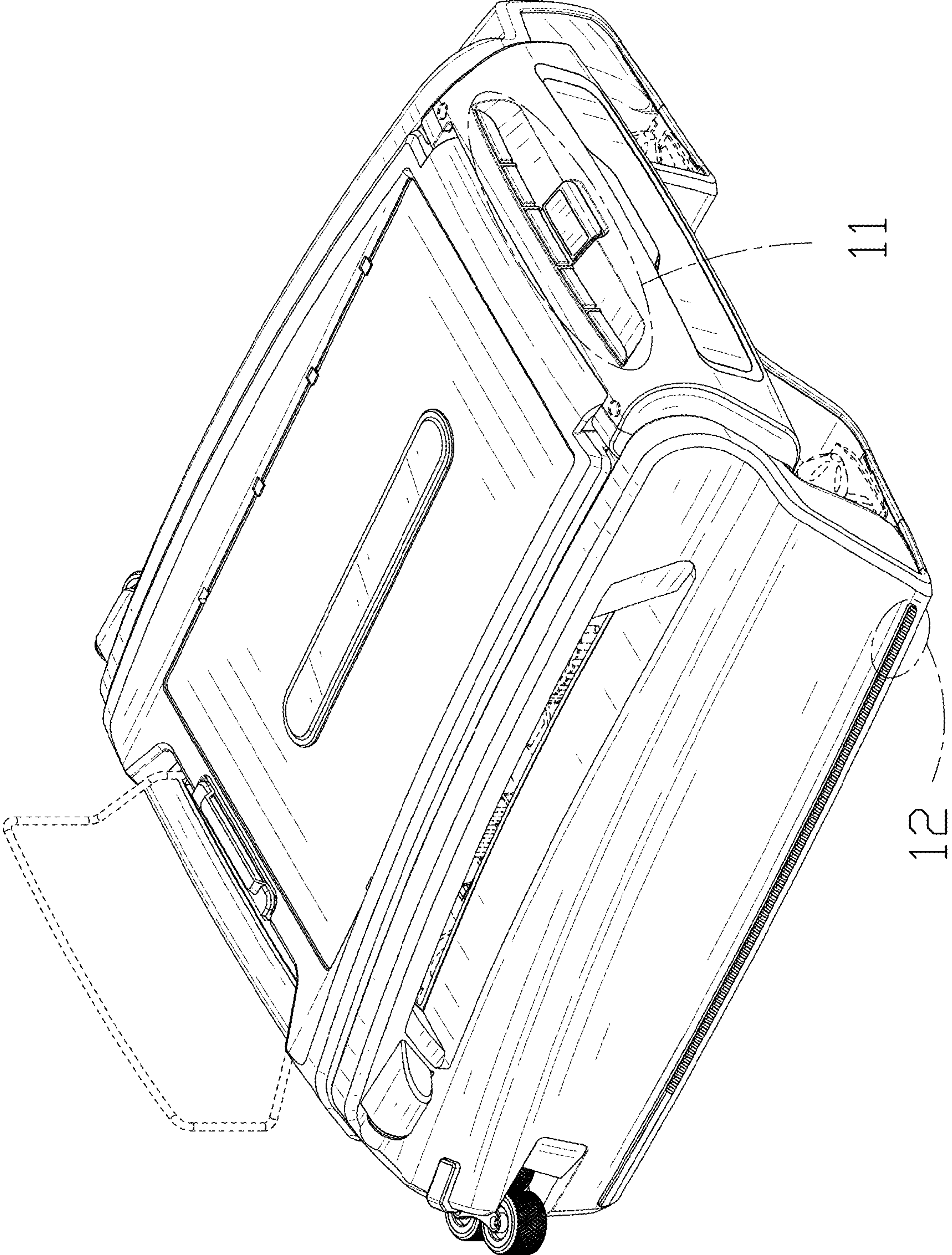


FIG. 2

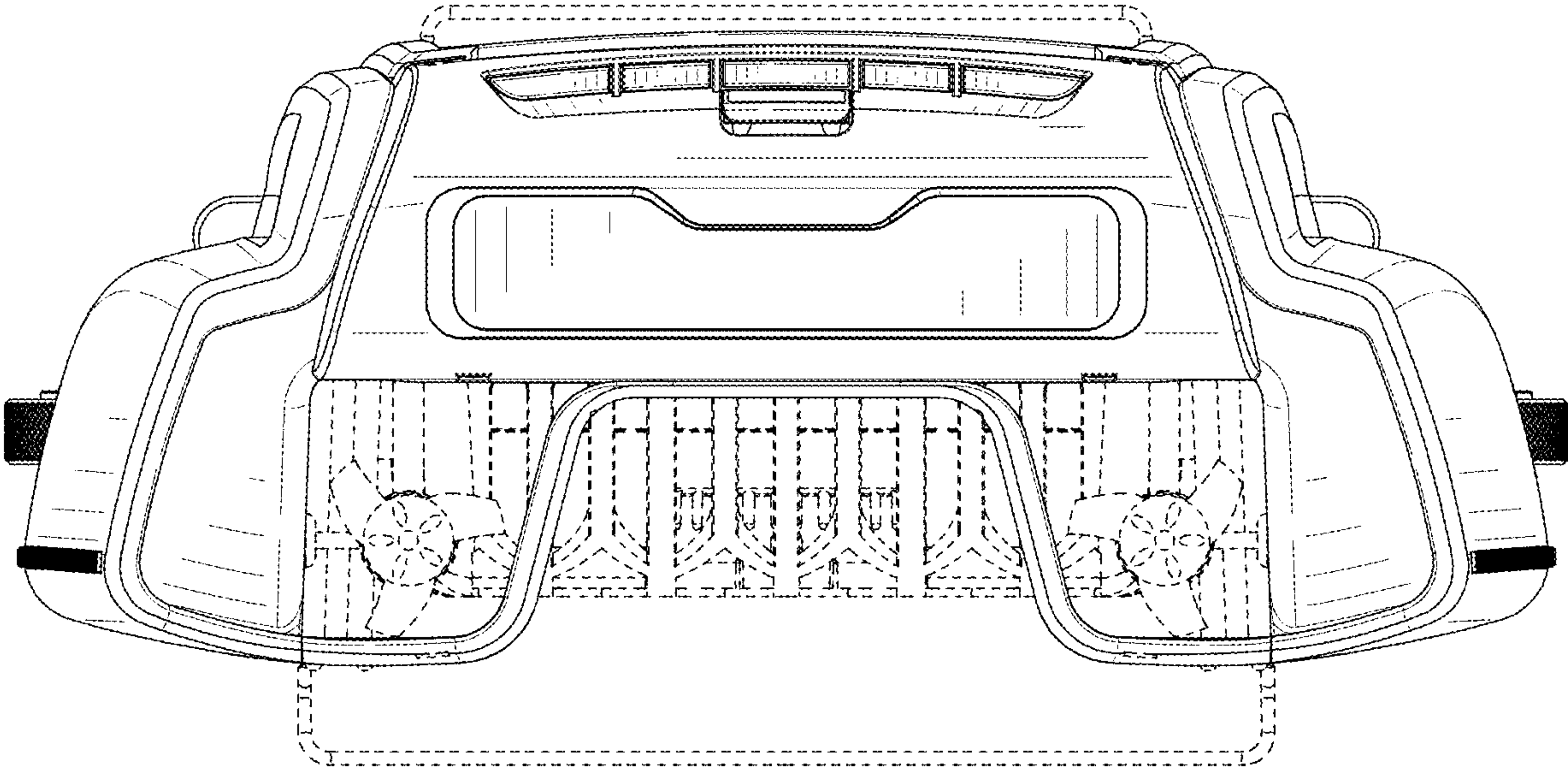


FIG. 3

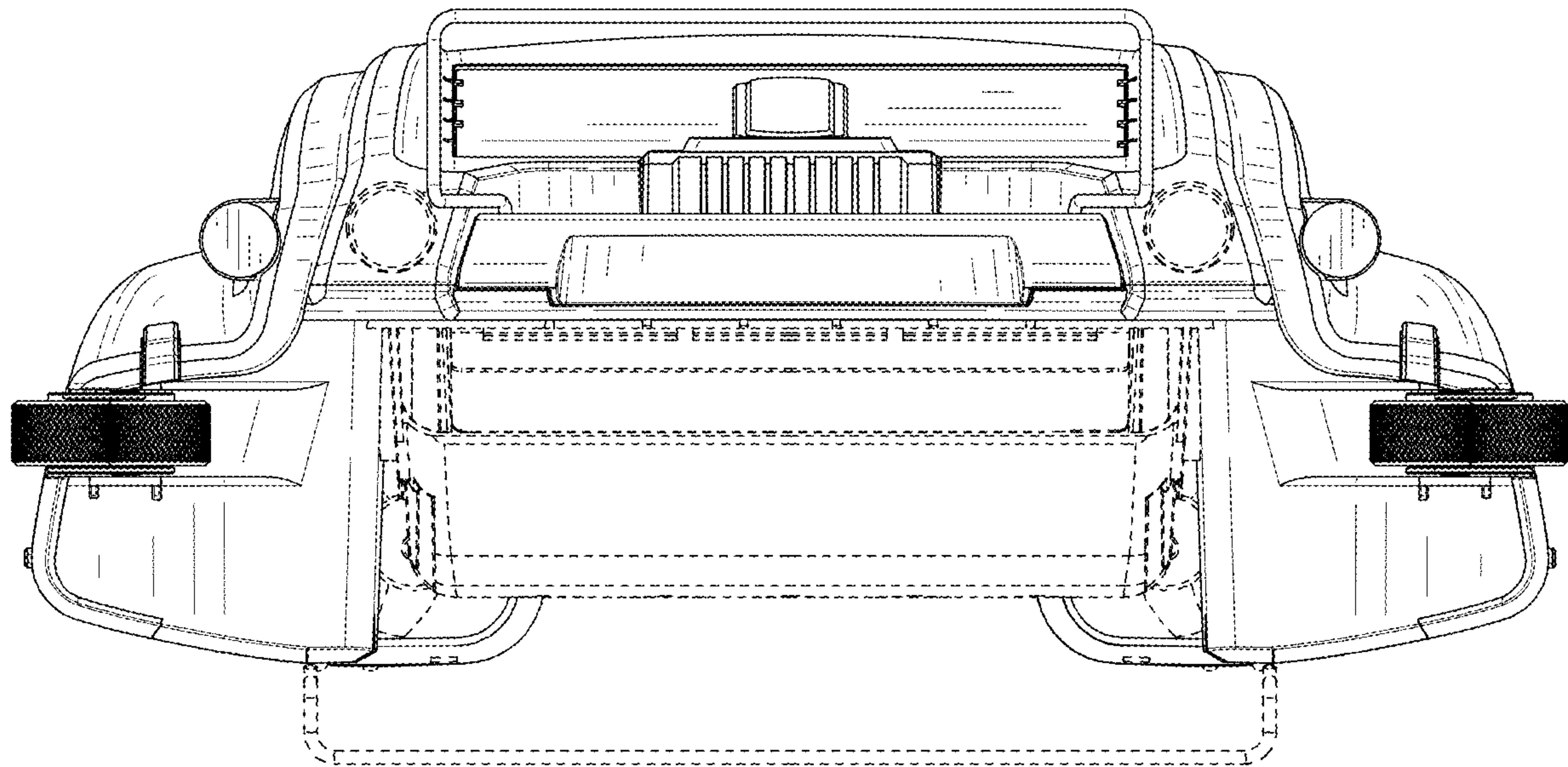


FIG. 4

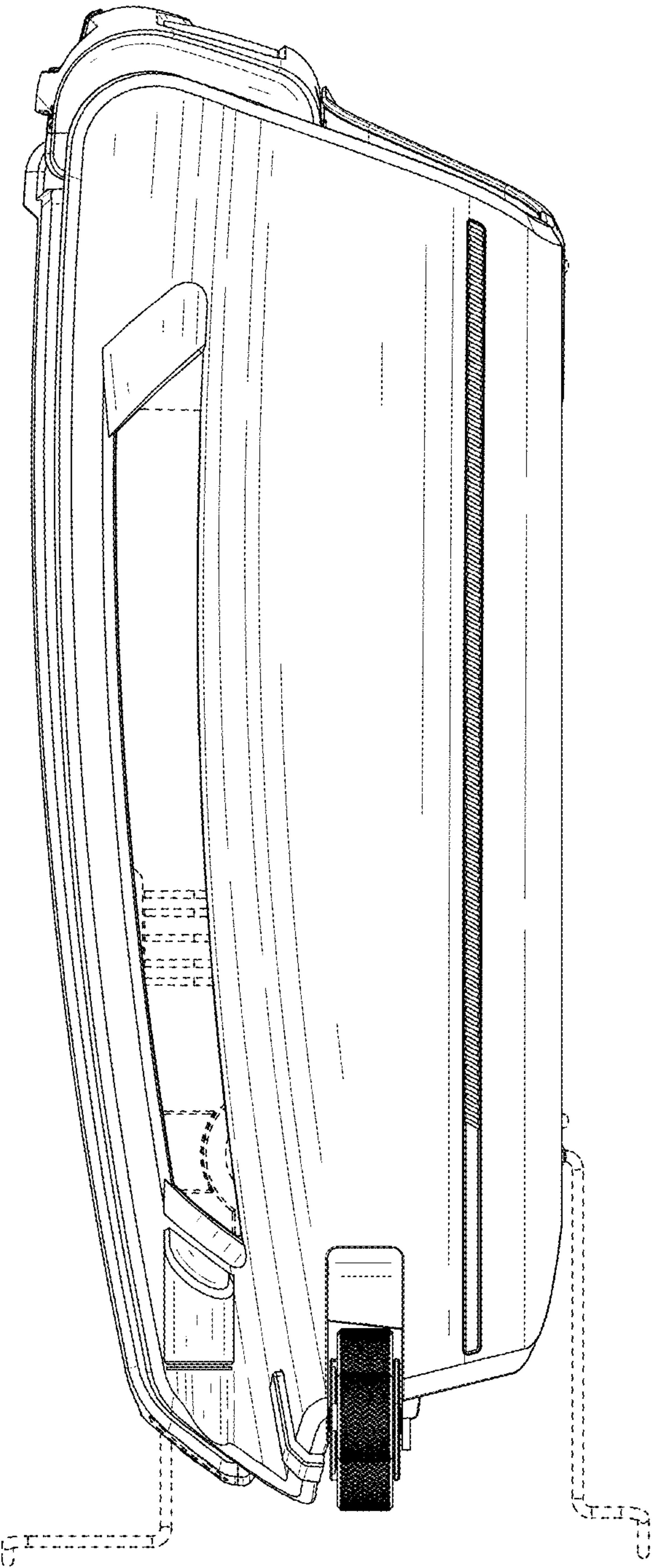


FIG. 5

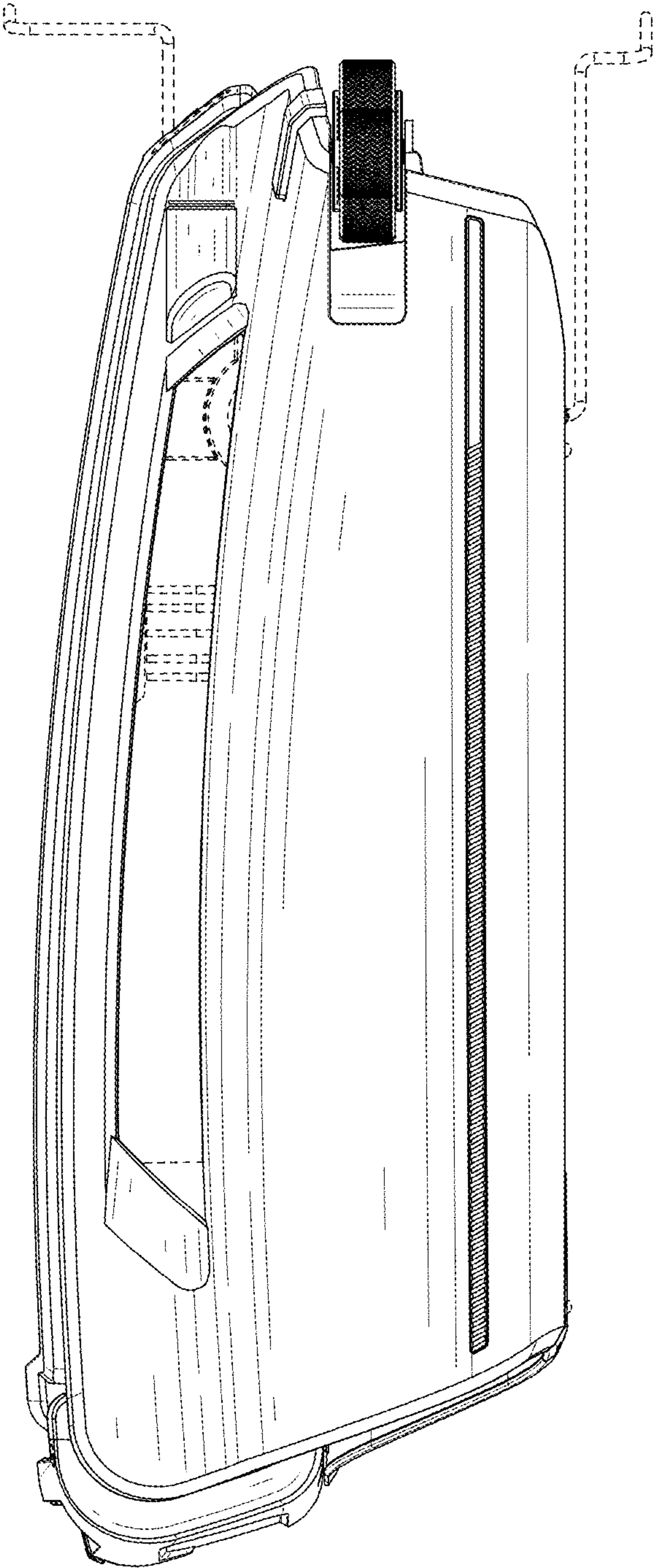


FIG. 6



FIG. 7

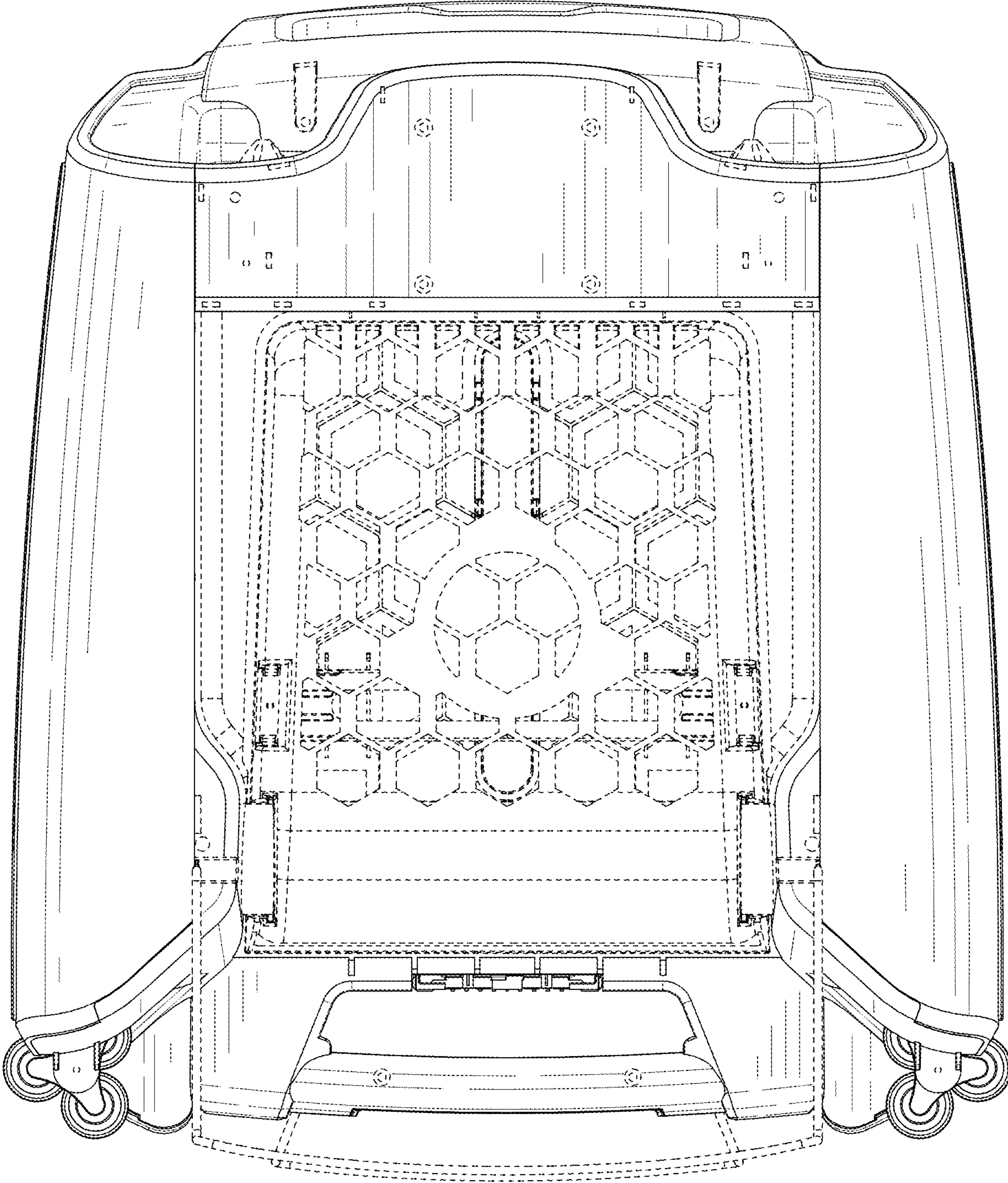


FIG. 8

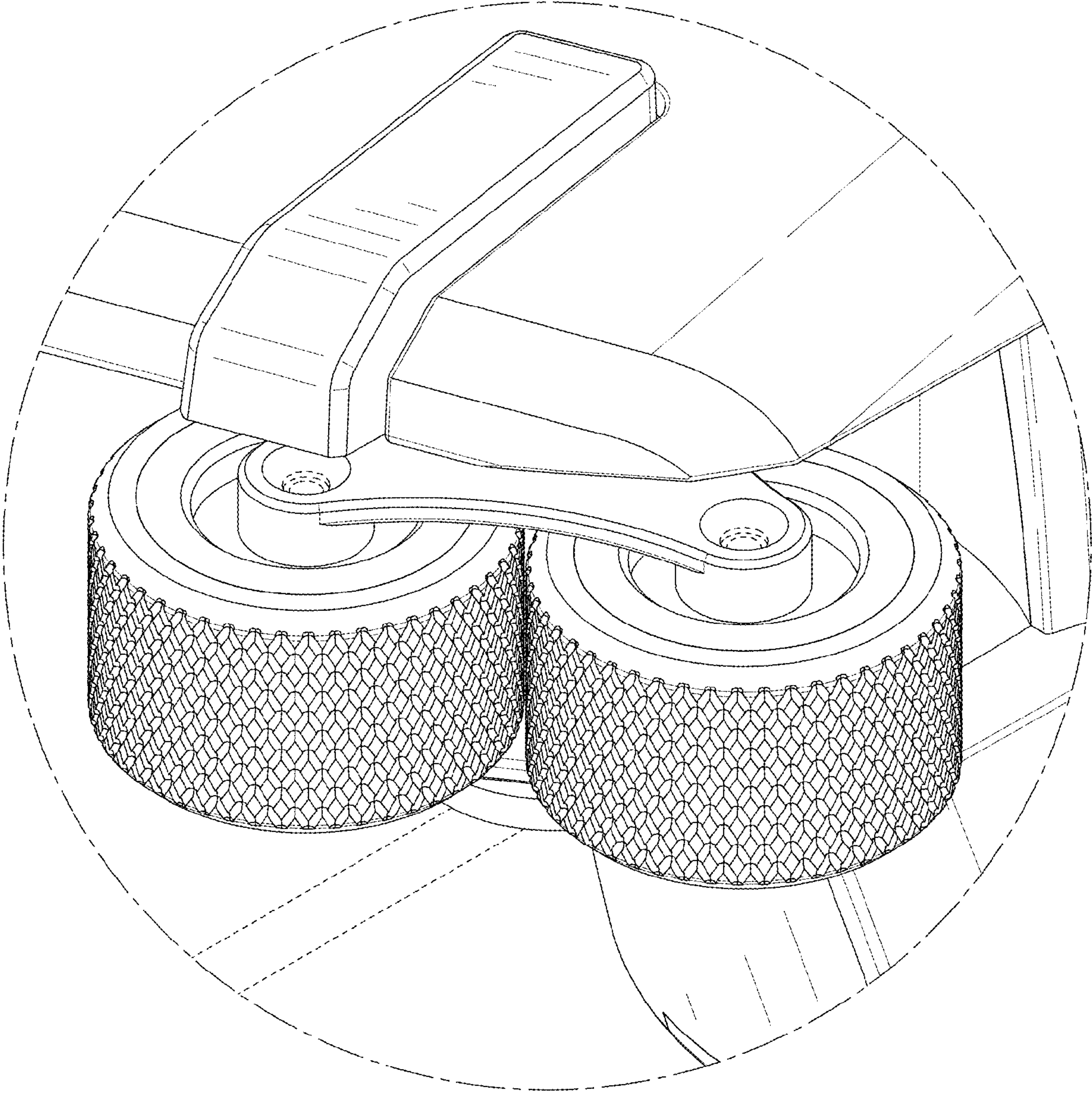


FIG. 9

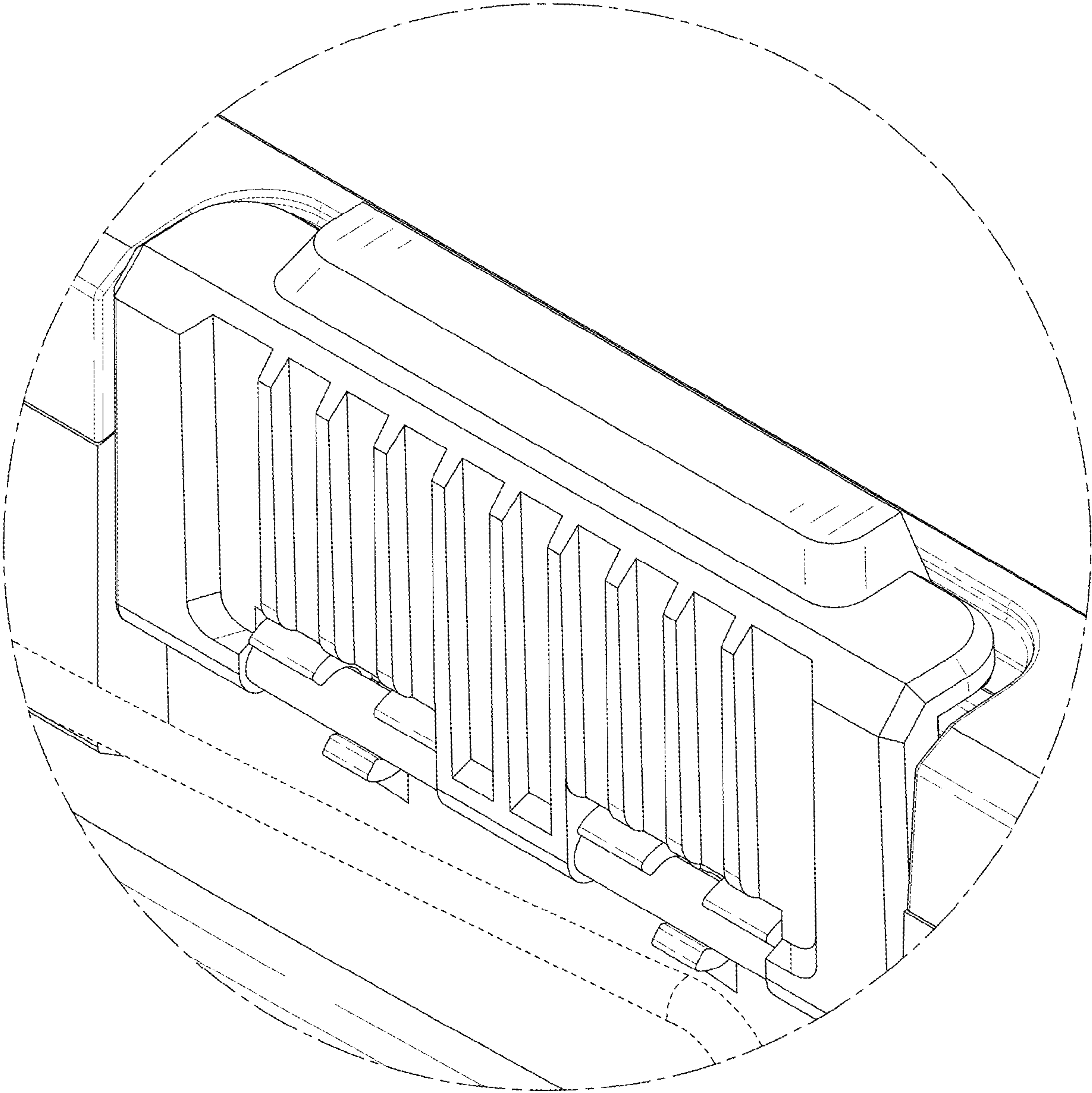


FIG. 10

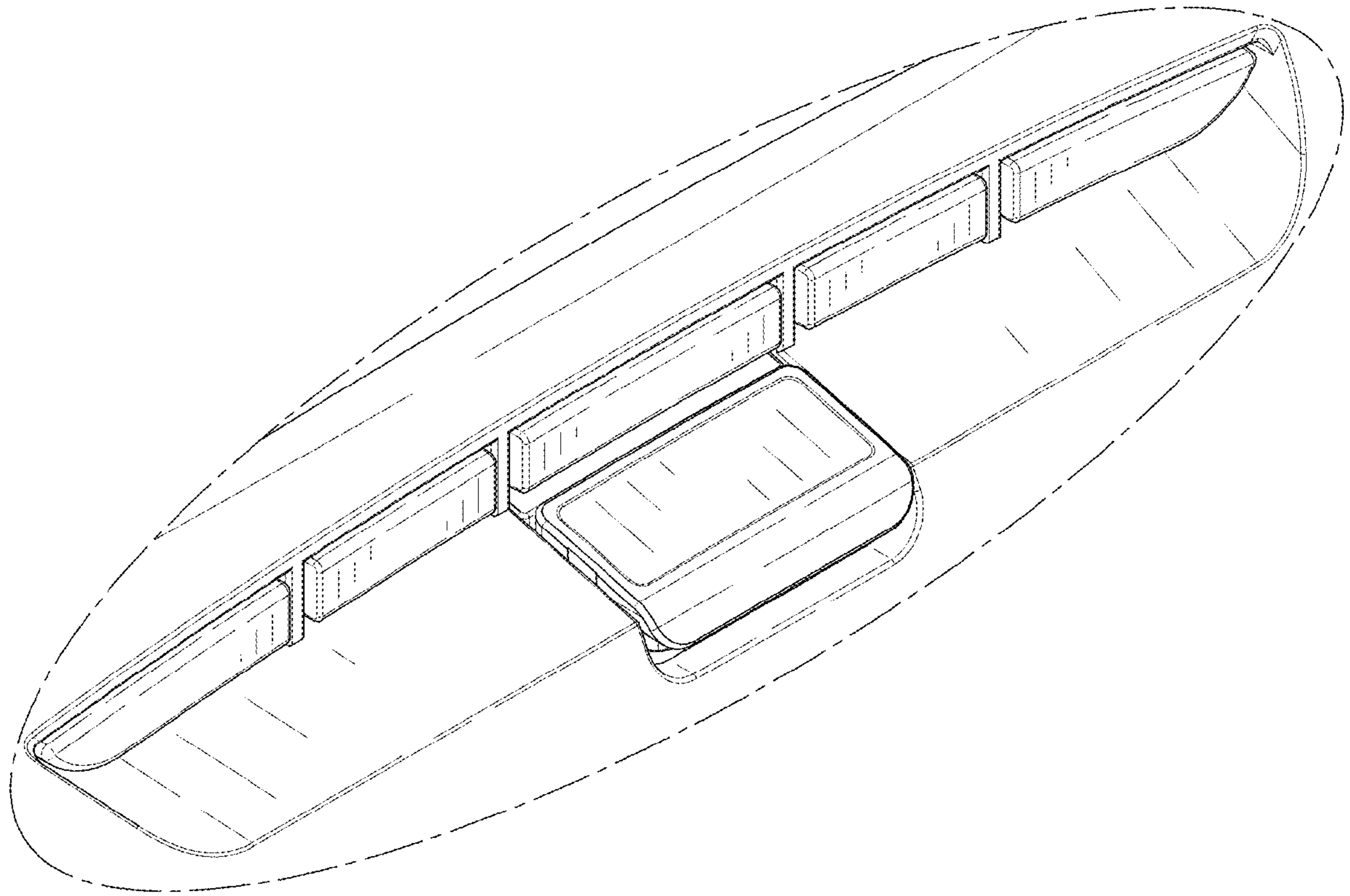


FIG. 11

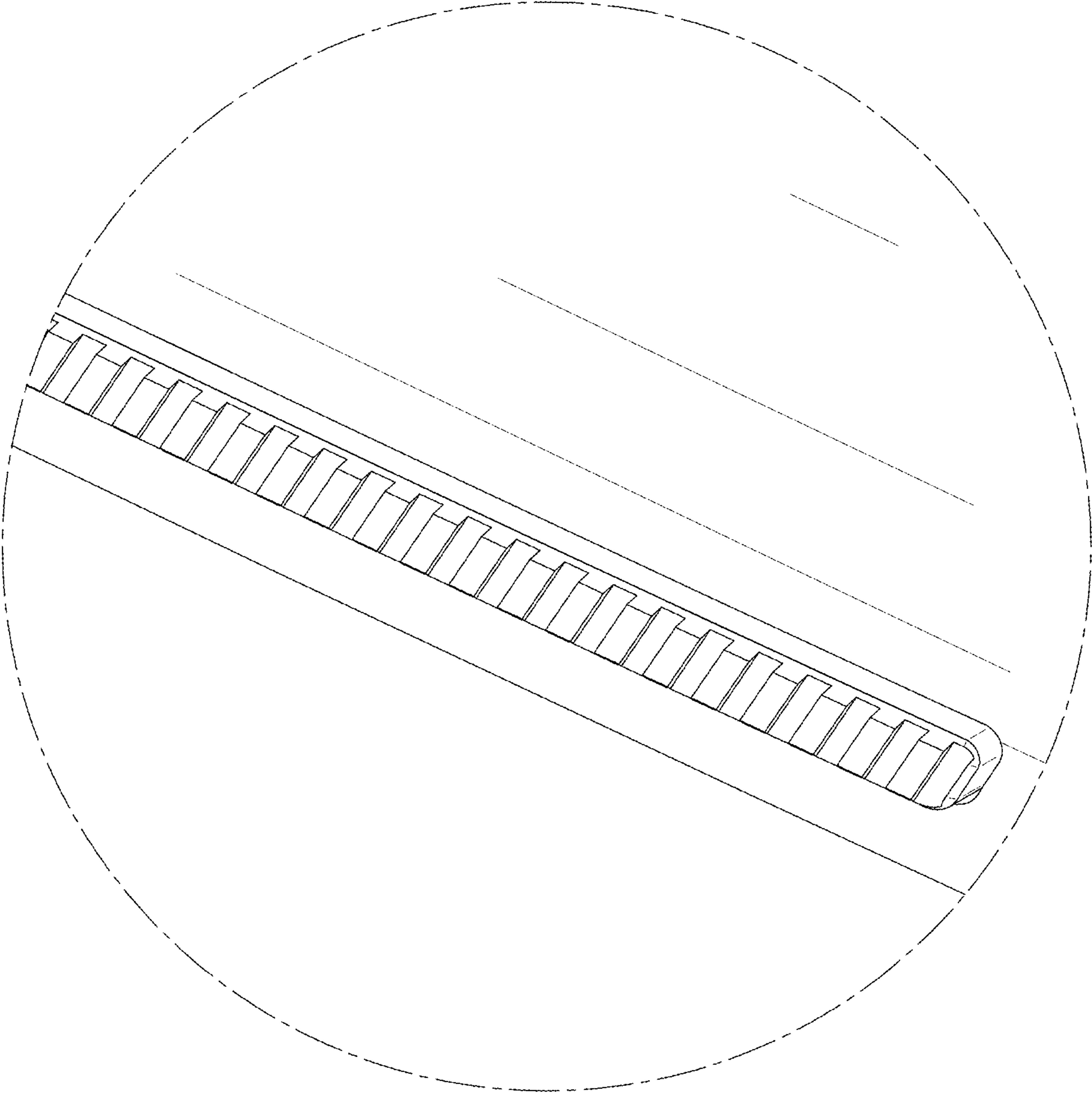


FIG. 12