



US00D935117S

(12) **United States Design Patent** (10) **Patent No.:** **US D935,117 S**
Man (45) **Date of Patent:** **** Nov. 2, 2021**

(54) **HANDHELD GARMENT STEAMER**

FOREIGN PATENT DOCUMENTS

(71) Applicant: **CONAIR LLC**, Stamford, CT (US)

CN 202739105 U 3/2013

(72) Inventor: **Lai Kin Man**, Hong Kong (HK)

OTHER PUBLICATIONS

(73) Assignee: **Conair LLC**, Stamford, CT (US)

Handheld Fabric Steamer <https://www.walmart.com/ip/Conair-ExtremeSteam-Hand-Held-Fabric-Steamer-with-Dual-Heat-White-Blue-Model-GS237/588827857> (Year: 2016).*

(**) Term: **15 Years**

(Continued)

(21) Appl. No.: **29/714,193**

Primary Examiner — Michelle E. Wilson

(22) Filed: **Nov. 21, 2019**

Assistant Examiner — Richard E Yenchesky

(51) **LOC (13) Cl.** **15-05**

(74) *Attorney, Agent, or Firm* — Ohlandt, Greeley, Ruggiero & Perle, L.L.P.

(52) **U.S. Cl.**

(57) **CLAIM**

USPC **D32/17**

The ornamental design for a handheld garment steamer, as shown and described.

(58) **Field of Classification Search**

DESCRIPTION

USPC D4/114; D32/17, 18, 35

CPC D06F 75/14; D06F 73/00; D06F 75/10;

D06F 75/30; D06F 87/00; D06F 75/20;

D06F 75/12; A01N 47/34; A61L 2/07;

A61L 11/34; B08B 9/00; F22B 27/16;

A47L 11/34; D06M 11/34

See application file for complete search history.

FIG. 1 is a front right side perspective view of an ornamental design for a handheld garment steamer according to the present invention;

FIG. 2 is rear left side perspective view of the handheld garment steamer of FIG. 1;

FIG. 3 is a front elevational view of the handheld garment steamer of FIG. 1;

FIG. 4 is a rear elevational view of the handheld garment steamer of FIG. 1;

FIG. 5 is a right side elevational view of the handheld garment steamer of FIG. 1, and the view of the handheld garment steamer that is rotated 180 degrees from FIG. 5 is a mirror image of FIG. 5;

FIG. 6 is a top plan view of the handheld garment steamer of FIG. 1; and,

FIG. 7 is a bottom plan view of the handheld garment steamer of FIG. 1.

The broken line shown in the drawings are for the purpose of illustrating environmental structure and forms no part of the claimed design.

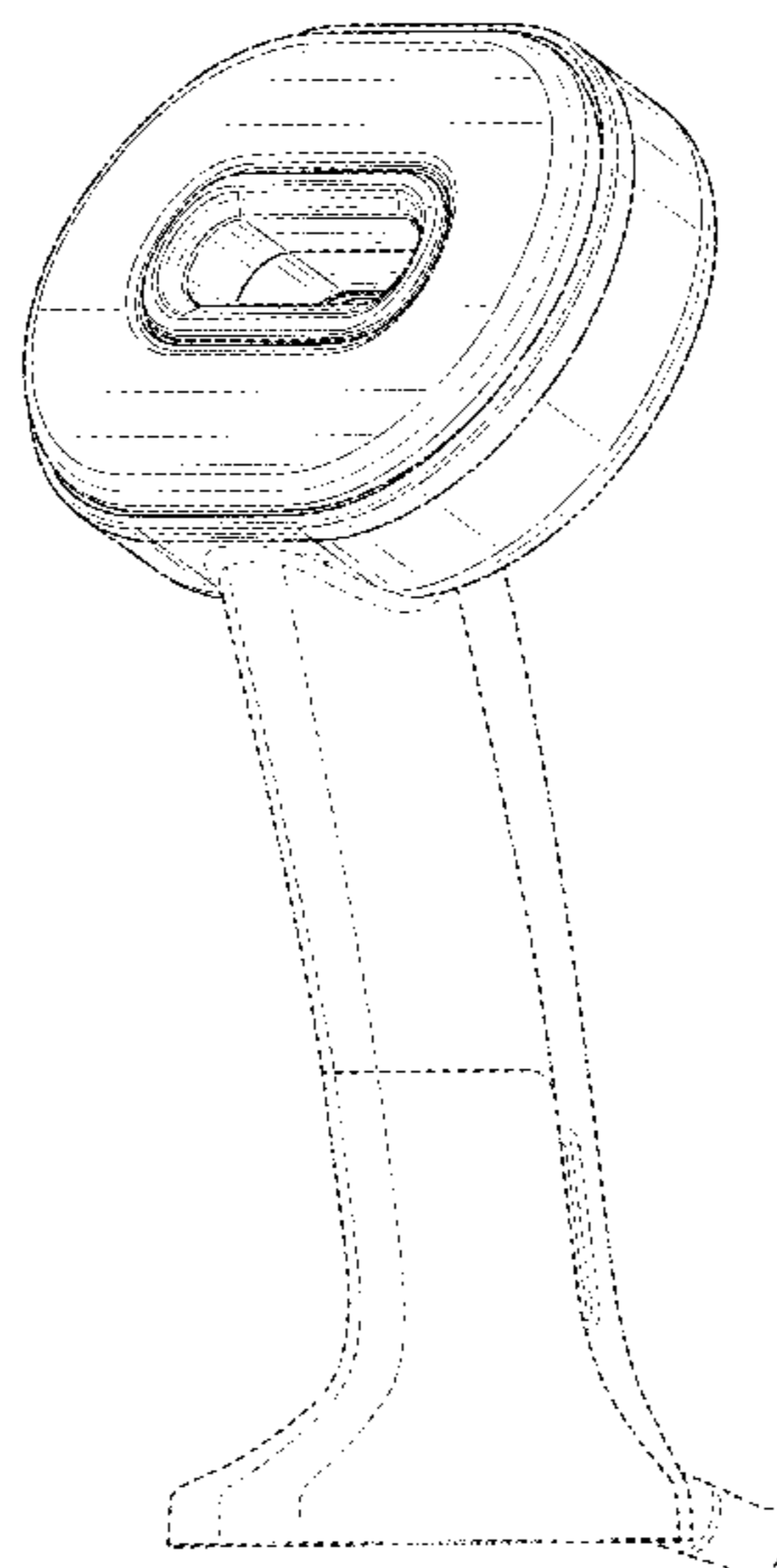
(56) **References Cited**

U.S. PATENT DOCUMENTS

2,027,767	A	1/1936	Deems	
D106,361	S *	10/1937	Schrader	D32/17
2,797,507	A	7/1957	Maykemper	
D222,502	S *	10/1971	Madl	D32/17
3,620,055	A *	11/1971	Blachly	D06F 75/30
				68/222
3,646,317	A *	2/1972	Osrow	D06F 75/30
				392/337
D229,016	S *	11/1973	Plasko	D32/17
D229,664	S *	12/1973	Stutzer	D32/17
3,889,406	A	6/1975	Chivers et al.	
3,947,659	A	3/1976	Ono	
4,114,022	A	9/1978	Braulke, III	

(Continued)

1 Claim, 7 Drawing Sheets



(56)

References Cited

U.S. PATENT DOCUMENTS

D255,864 S * 7/1980 Bennett D32/17
 D262,257 S * 12/1981 Sohn D32/17
 4,341,229 A 7/1982 Bauer et al.
 4,399,349 A * 8/1983 Deming A45D 19/16
 128/203.17
 4,496,826 A * 1/1985 Osrow D06F 75/14
 219/245
 4,536,977 A * 8/1985 Doyel D06F 75/14
 219/254
 4,571,483 A * 2/1986 Fathi D06F 87/00
 38/69
 4,583,260 A * 4/1986 Zai A01N 47/34
 15/320
 D319,121 S * 8/1991 Muller D32/17
 5,279,054 A 1/1994 Chasen
 5,297,739 A 3/1994 Allen
 5,630,287 A 5/1997 Shimosaka et al.
 5,651,201 A * 7/1997 Farley D06F 75/30
 219/255
 D426,924 S * 6/2000 Joiner D32/35
 D436,424 S * 1/2001 Buzzi D32/17
 6,275,653 B1 * 8/2001 Montipo' B08B 9/00
 392/405
 6,986,217 B2 * 1/2006 Leung D06F 73/00
 38/77.83
 D516,759 S * 3/2006 Lam D32/17
 D525,399 S * 7/2006 Alday Lesaga D32/17
 D540,498 S * 4/2007 Tobias D32/17
 D542,488 S * 5/2007 Lee D32/17
 D576,363 S * 9/2008 Reiner D32/17
 7,490,422 B1 * 2/2009 Chen D06F 75/10
 38/75
 D589,663 S * 3/2009 Massip D32/17
 D592,365 S * 5/2009 Massip D32/17
 D601,806 S * 10/2009 Choi D4/114
 7,661,212 B2 * 2/2010 Hahn D06F 75/20
 38/81
 D622,457 S * 8/2010 Choi D32/17
 D646,029 S * 9/2011 Choi D32/17
 D646,445 S * 10/2011 Choi D32/17
 D648,494 S * 11/2011 Vrdoljak D32/17
 D648,495 S * 11/2011 Ediger D32/17
 D648,908 S * 11/2011 Ediger D32/17
 D651,774 S * 1/2012 Tobias D32/17
 D670,876 S * 11/2012 Vrdoljak D32/17

8,893,410 B2 * 11/2014 Vrdoljak D06F 75/30
 38/77.8
 D725,326 S * 3/2015 Spencer D32/17
 D731,723 S * 6/2015 Dammkoehler D32/17
 D776,887 S * 1/2017 Deffrennes D32/17
 9,845,568 B2 * 12/2017 Fung D06F 75/10
 D808,600 S * 1/2018 Malatray D32/17
 D826,492 S * 8/2018 Huang D32/17
 D842,559 S * 3/2019 Yang D32/17
 10,309,053 B2 6/2019 Yagi
 D857,313 S * 8/2019 Smith D32/17
 10,385,503 B2 8/2019 Lukas et al.
 10,570,560 B2 * 2/2020 Chua D06F 87/00
 D894,506 S * 8/2020 Protet D32/17
 D906,606 S * 12/2020 Zeng D32/17
 2004/0010950 A1 * 1/2004 Leung D06F 73/00
 38/3
 2006/0018638 A1 * 1/2006 Leung B08B 3/00
 392/403
 2010/0024492 A1 * 2/2010 Leung D06F 73/00
 68/222
 2010/0269287 A1 * 10/2010 Vrdoljak A61L 2/07
 15/322
 2013/0111777 A1 5/2013 Jeong
 2013/0232713 A1 9/2013 Luedke et al.
 2015/0082839 A1 3/2015 Holm
 2015/0128664 A1 5/2015 Date et al.
 2015/0354128 A1 * 12/2015 Choo A47L 11/34
 68/222
 2016/0053430 A1 * 2/2016 Chua D06F 75/30
 68/5 A
 2016/0160434 A1 * 6/2016 Chua D06F 87/00
 68/5 A
 2016/0168778 A1 6/2016 Wadhwa et al.
 2016/0194816 A1 * 7/2016 Chua D06F 75/20
 68/222
 2017/0260685 A1 9/2017 Fung
 2018/0142883 A1 * 5/2018 Wadhwa F22B 27/16
 2018/0371684 A1 * 12/2018 Ong D06F 75/12
 2020/0362505 A1 * 11/2020 Razouki D06M 11/34

OTHER PUBLICATIONS

International Search Report dated Feb. 4, 2021 from corresponding International Patent Application No. PCT/2020/059269, 2 pages.
 Written Opinion dated Feb. 4, 2021 from corresponding International Patent Application No. PCT/2020/059269, 5 pages.

* cited by examiner

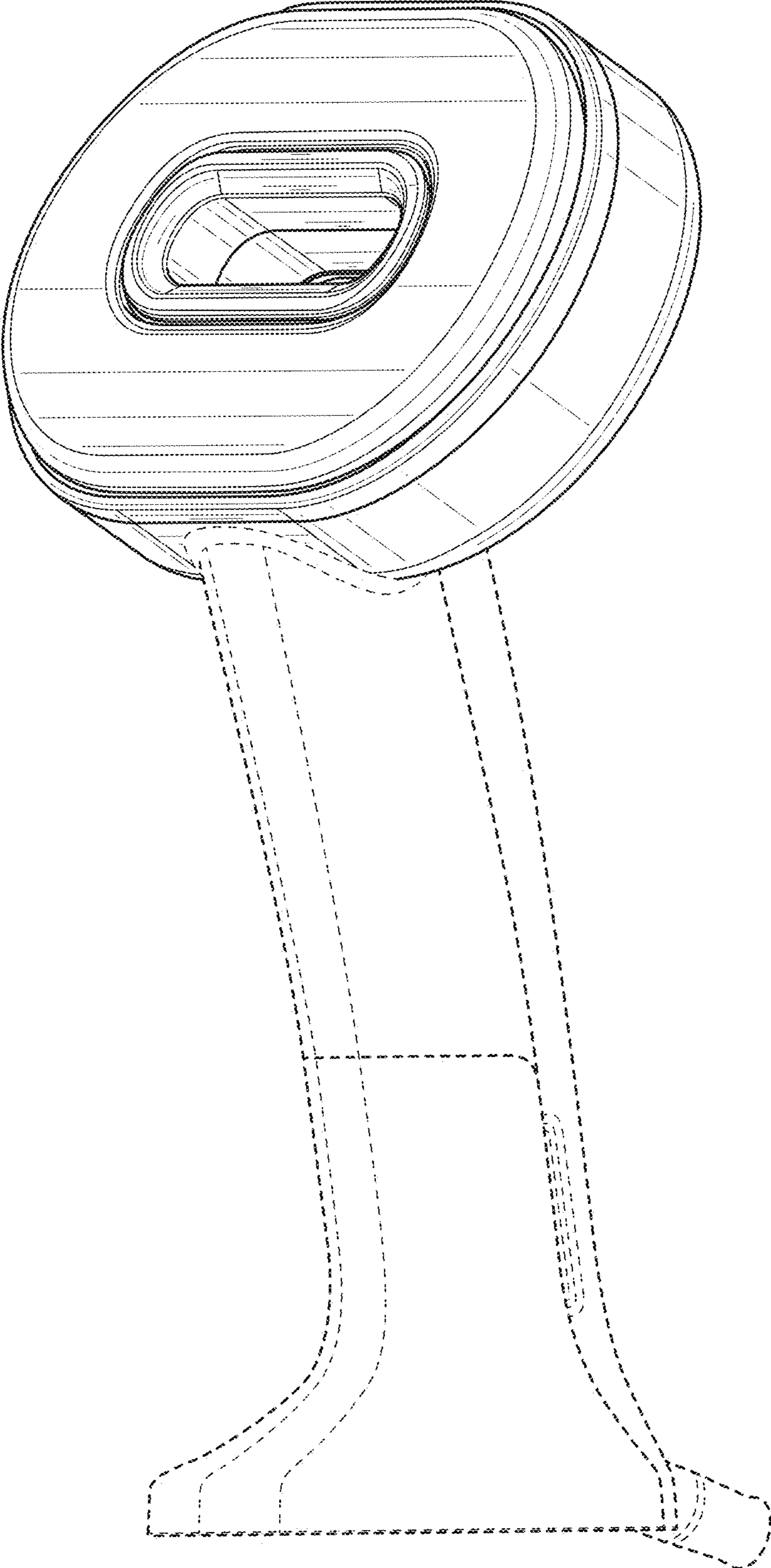


FIG. 1

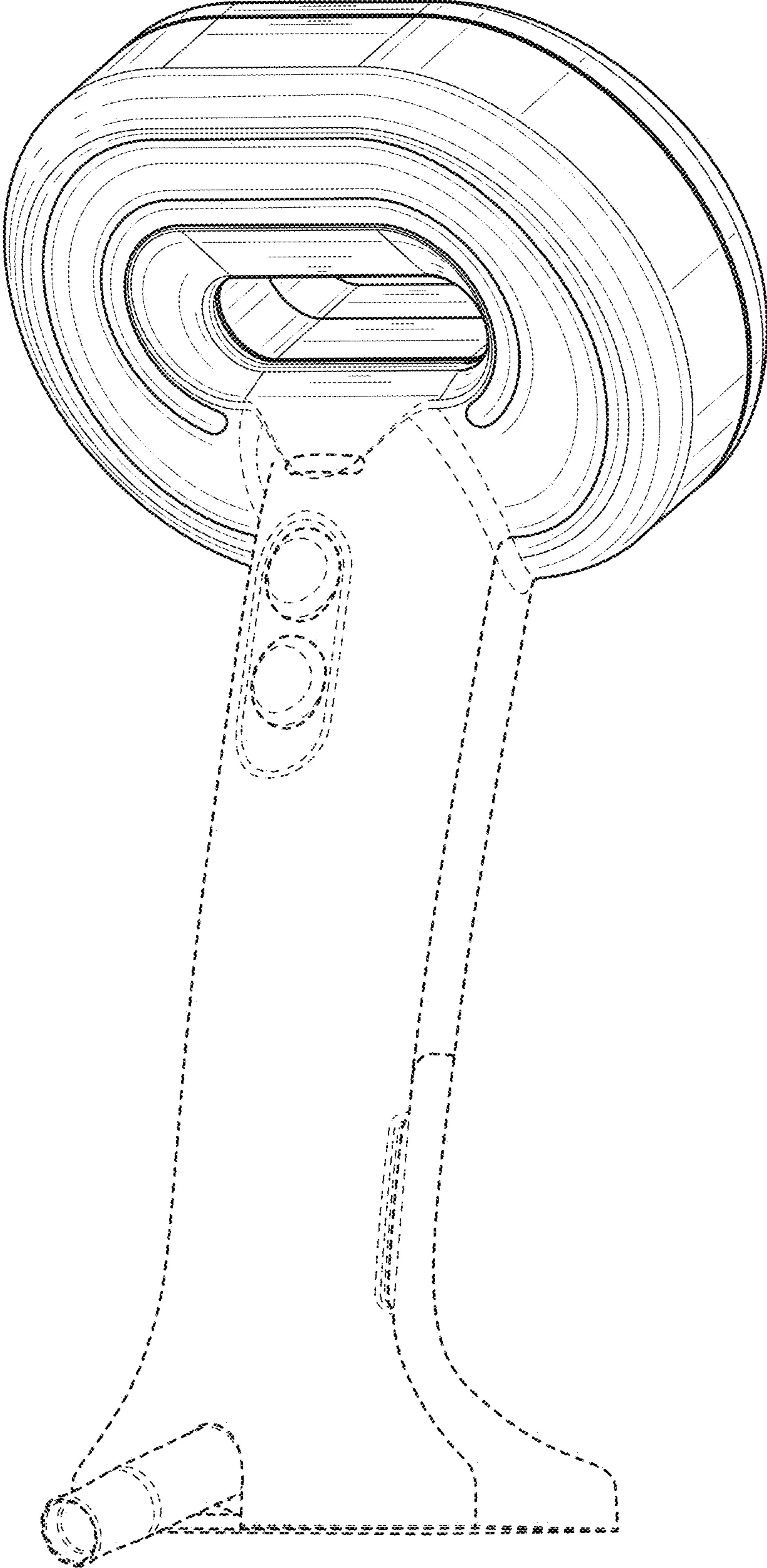


FIG. 2

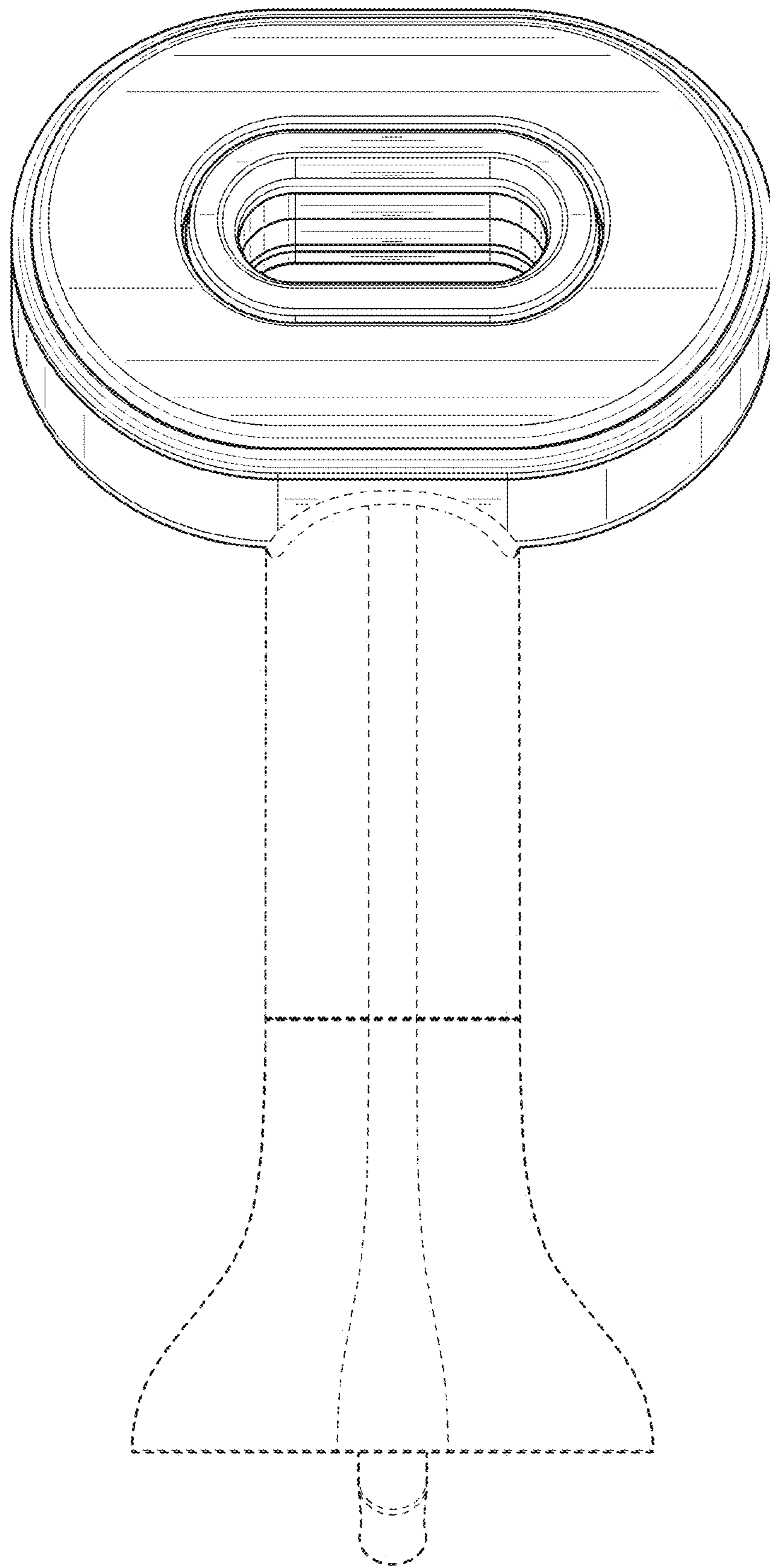


FIG. 3

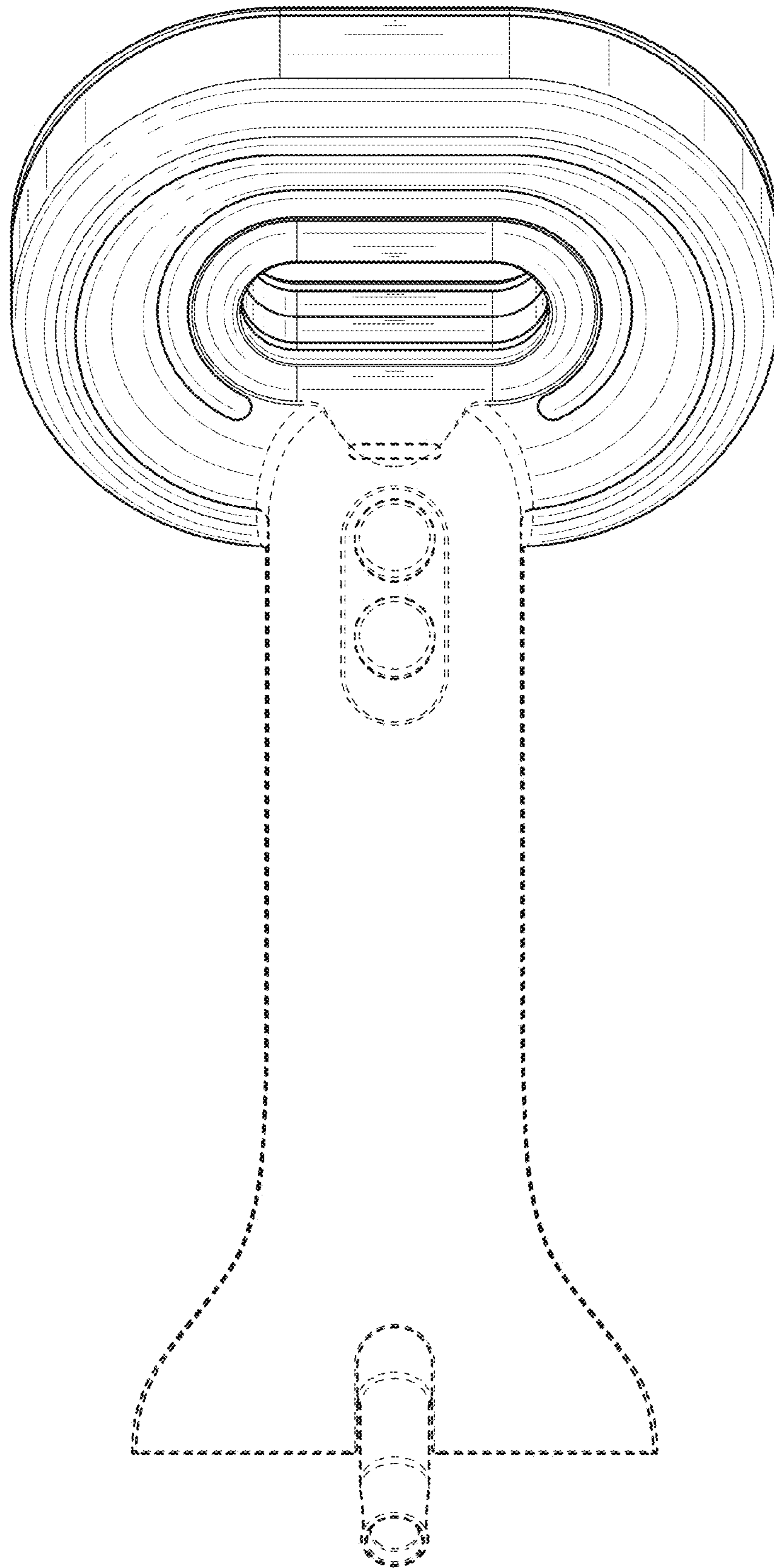


FIG. 4

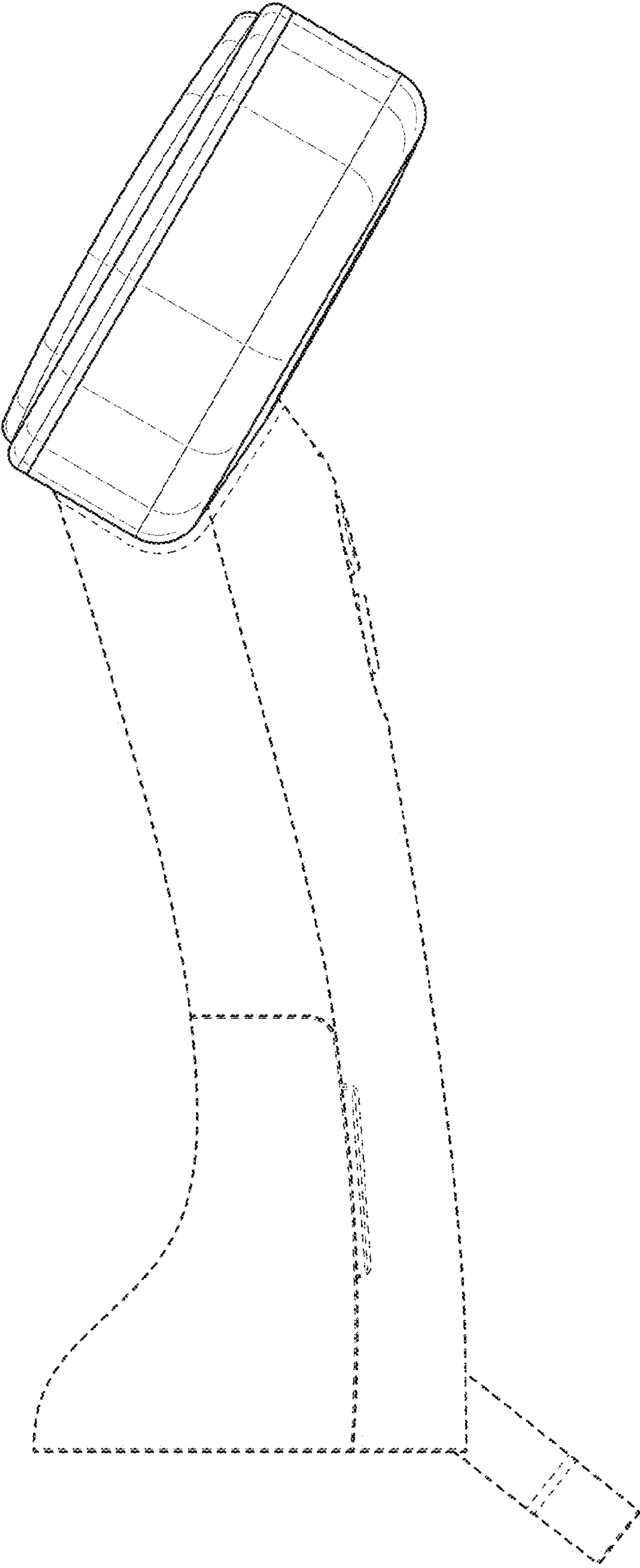


FIG. 5

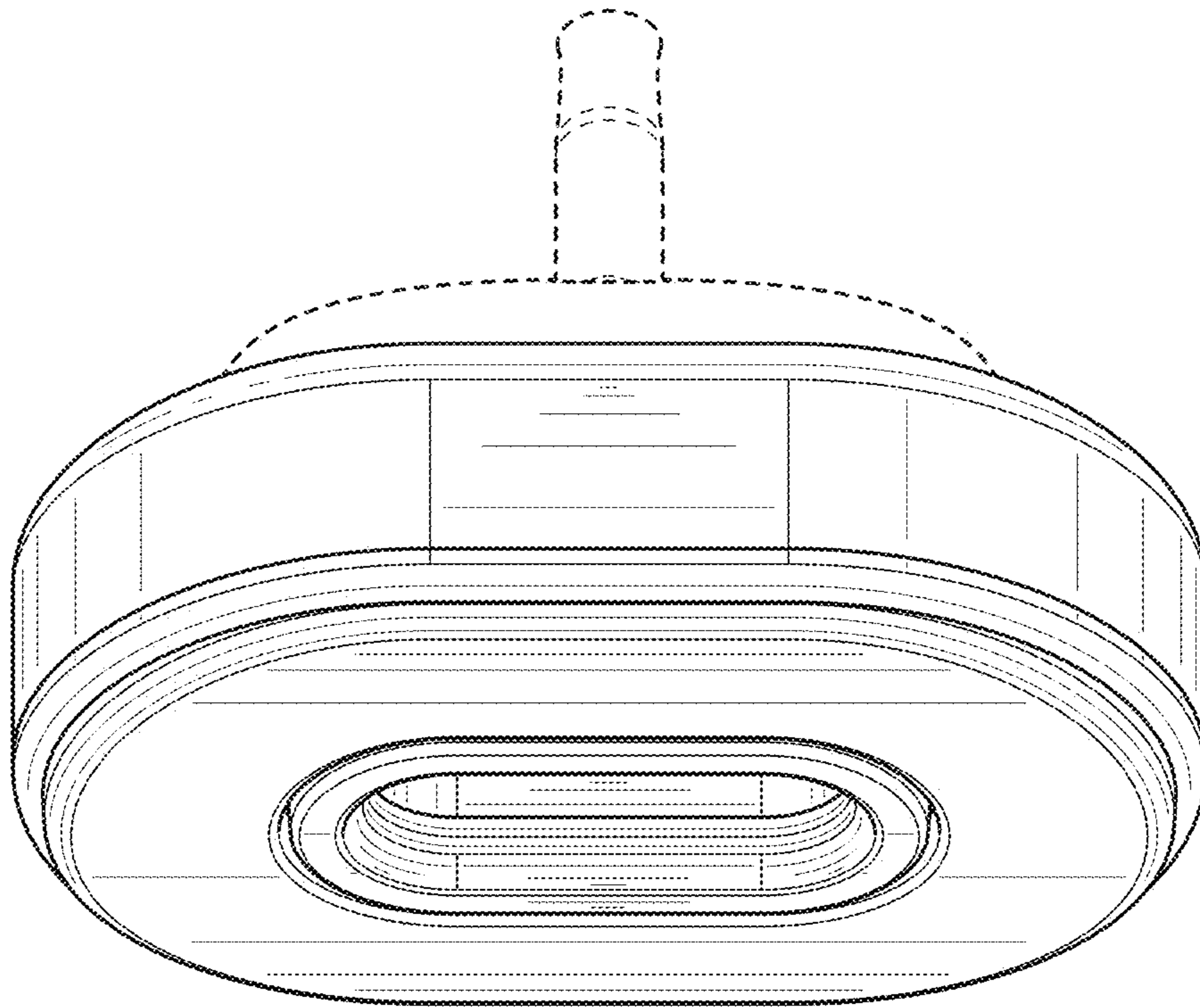


FIG. 6

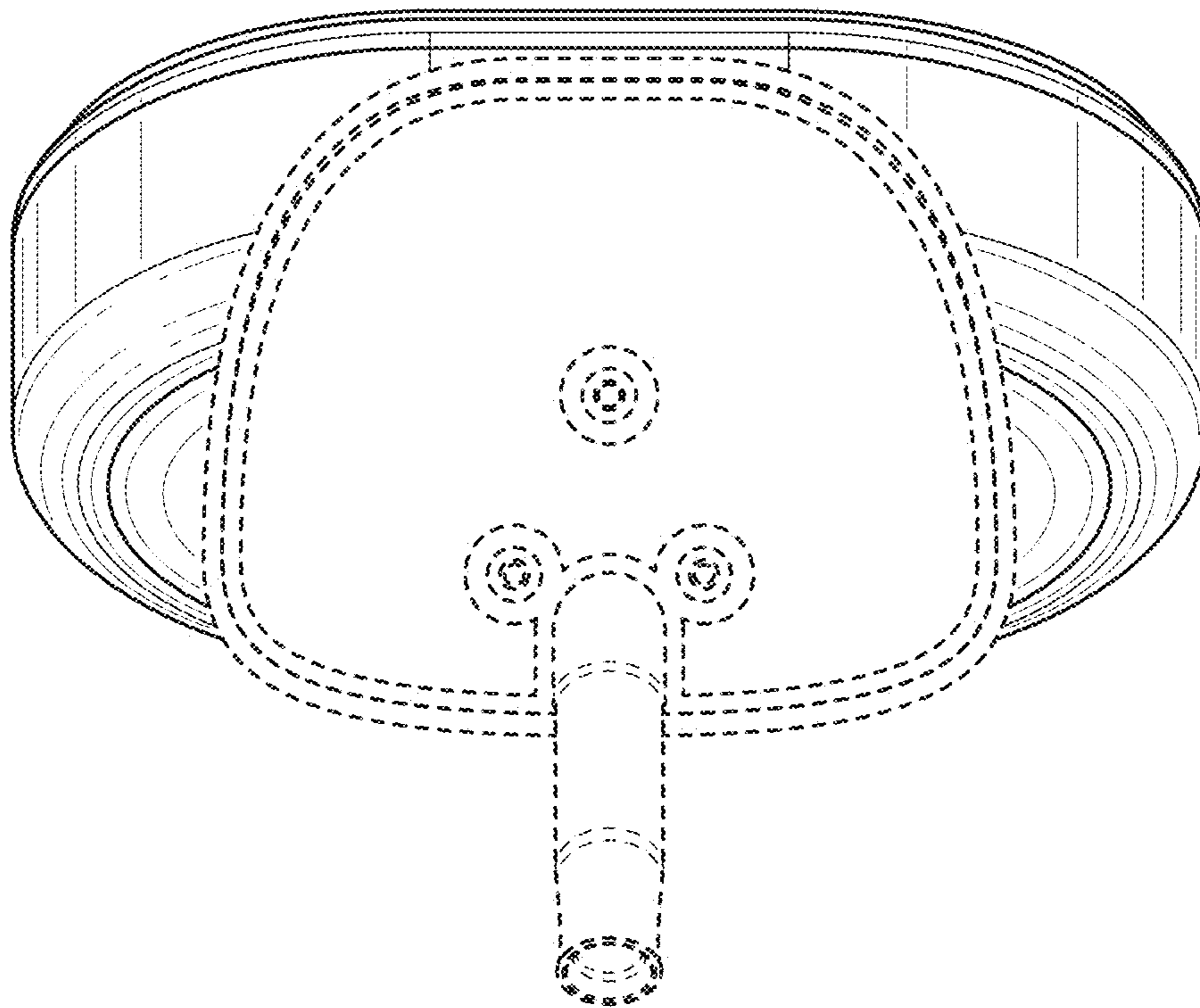


FIG. 7