



US00D935114S

(12) **United States Design Patent**
Jung et al.

(10) **Patent No.:** **US D935,114 S**
(45) **Date of Patent:** **** Nov. 2, 2021**

- (54) **DISHWASHER**
- (71) Applicant: **LG ELECTRONICS INC.**, Seoul (KR)
- (72) Inventors: **Dana Jung**, Seoul (KR); **Kyoungju Ryu**, Seoul (KR); **Jongho Kim**, Seoul (KR); **Byungsoo Kim**, Seoul (KR); **Hwayun Choi**, Seoul (KR); **Suyoung Lee**, Seoul (KR)
- (73) Assignee: **LG ELECTRONICS INC.**, Seoul (KR)
- (**) Term: **15 Years**
- (21) Appl. No.: **29/727,716**
- (22) Filed: **Mar. 12, 2020**
- (30) **Foreign Application Priority Data**
 - Sep. 26, 2019 (KR) 30-2019-0046343
- (51) **LOC (13) Cl.** **15-05**
- (52) **U.S. Cl.**
USPC **D32/2**
- (58) **Field of Classification Search**
 - USPC D23/290; D24/217; D32/1, 2, 55
 - CPC A47L 15/0089; A47L 15/0086; A47L 15/0002; A47L 15/16; A47L 15/06; A47L 17/02; A47L 15/30; B65D 25/06; B65D 85/345; A61L 2/10; H02J 50/502

See application file for complete search history.

- 2,632,452 A * 3/1953 Spitzer A47L 15/16
134/115 R
- D182,330 S * 3/1958 Corbett D32/2
- 3,926,668 A * 12/1975 Ross A47L 15/0089
134/179
- 3,961,984 A * 6/1976 Torressen A47L 15/0086
134/100.1

(Continued)

OTHER PUBLICATIONS

OTVIAP Dishwasher <https://www.walmart.com/ip/OTVIAP-Dishwasher-Countertop-Dishwasher-110V-Us-Automatic-Countertop-Dishwasher-Portable-Mini-Dish-Washer-In-Stainless-Steel/609963529?wmlspartner=wlp&selectedSellerId=101007465> (Year: 2021).*

(Continued)

Primary Examiner — Michelle E. Wilson
Assistant Examiner — Richard E Yenchesky
(74) *Attorney, Agent, or Firm* — Birch, Stewart, Kolasch & Birch LLP

(57) **CLAIM**

We claim the ornamental design for a dishwasher, as shown and described.

DESCRIPTION

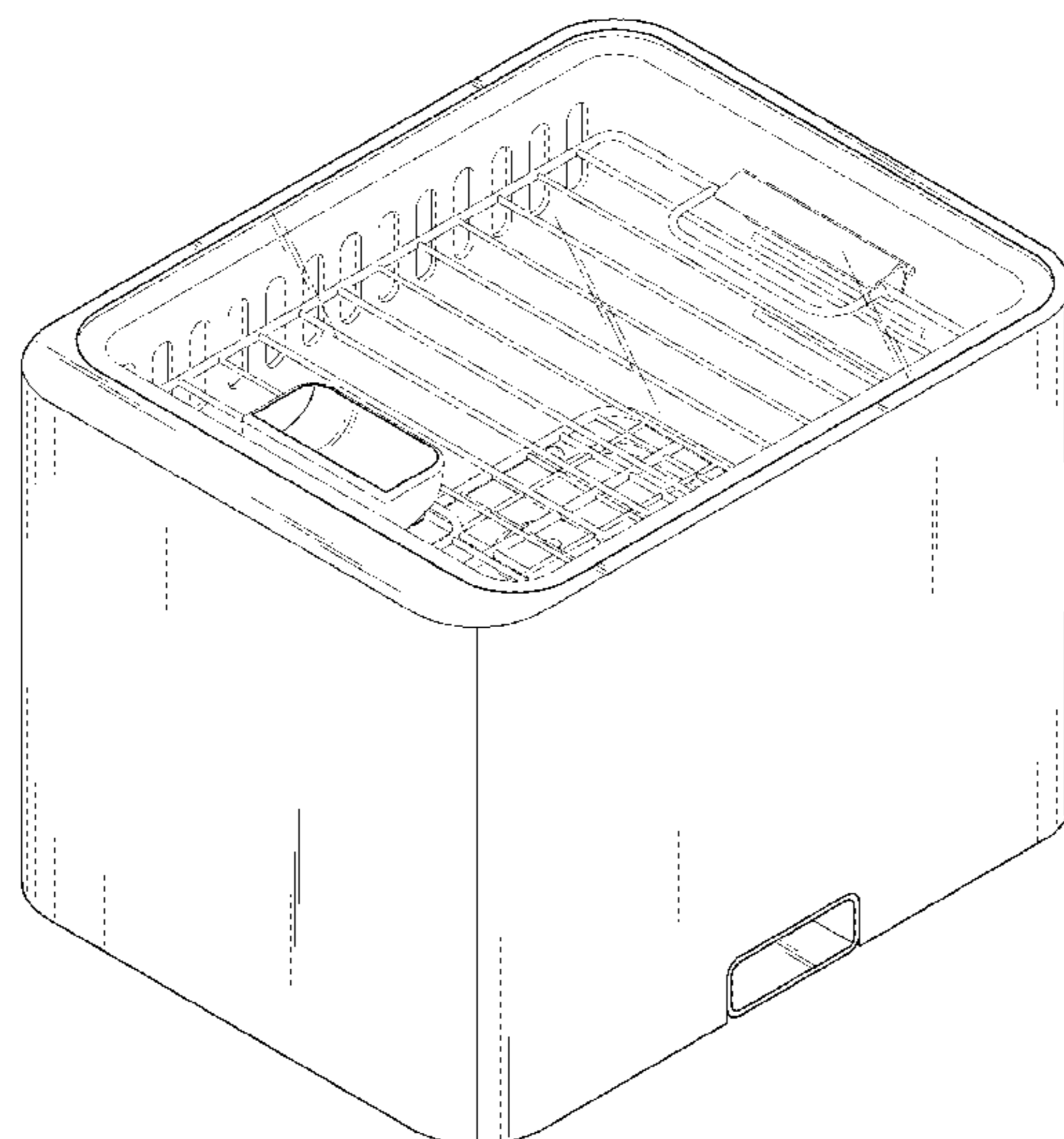
FIG. 1 is a perspective view of a dishwasher showing the new design;
FIG. 2 is a front elevation view thereof;
FIG. 3 is a rear elevation view thereof;
FIG. 4 is a left-side elevation view thereof;
FIG. 5 is a right-side elevation view thereof;
FIG. 6 is a top plan view thereof;
FIG. 7 is a bottom plan view thereof;
FIG. 8 is a disassembled perspective view thereof; and,
FIG. 9 is a perspective view showing a state of use thereof.
The parts shown by means of broken lines in the drawing figures are not part of the claimed design.

1 Claim, 9 Drawing Sheets

(56) **References Cited**

U.S. PATENT DOCUMENTS

- 1,995,927 A * 3/1935 Kirby A47L 15/0089
134/56 D
- 2,395,747 A * 2/1946 Loeb A47L 15/06
134/58 R
- 2,425,812 A * 8/1947 Krebs A47L 15/0089
134/197



(56)

References Cited

U.S. PATENT DOCUMENTS

4,316,477 A * 2/1982 Song A47L 15/30
 134/112
 4,418,829 A * 12/1983 Clay A47L 17/02
 134/104.4
 4,420,005 A * 12/1983 Armstrong A47L 15/0089
 134/100.1
 D303,442 S * 9/1989 Harrison D32/1
 6,092,540 A * 7/2000 Chiao A47L 15/0089
 134/115 R
 D483,531 S * 12/2003 Shelley D23/290
 D483,532 S * 12/2003 Shelley D32/2
 7,604,012 B2 * 10/2009 Alpert A47L 15/0002
 134/58 D
 D651,779 S * 1/2012 Balkum D32/55
 D785,253 S * 4/2017 Thrasher D32/2
 9,848,753 B2 * 12/2017 Chan B65D 25/06
 D833,699 S * 11/2018 Serrahima D32/55

D845,564 S * 4/2019 Tong D32/2
 D884,208 S * 5/2020 Xie D24/217
 D893,817 S * 8/2020 Fryer D32/3
 D915,617 S * 4/2021 Yoo D24/217
 D915,707 S * 4/2021 Li D32/55
 D916,310 S * 4/2021 Yoo D24/217
 D918,495 S * 5/2021 Callahan D32/2
 2008/0128371 A1 * 6/2008 Opperl A47L 15/502
 211/70.7
 2013/0101708 A1 * 4/2013 Short B65D 85/345
 426/106
 2017/0324267 A1 * 11/2017 Decker H02J 50/502
 2019/0099509 A1 * 4/2019 Martz A61L 2/10

OTHER PUBLICATIONS

Sink Dishwasher <https://fuanmotor.en.made-in-china.com/product/zCoxLjmrORWp/China-Multi-Function-Sink-Dishwasher-in-One-for-Kitchen.html> (Year: 2021).*

* cited by examiner

FIG. 1

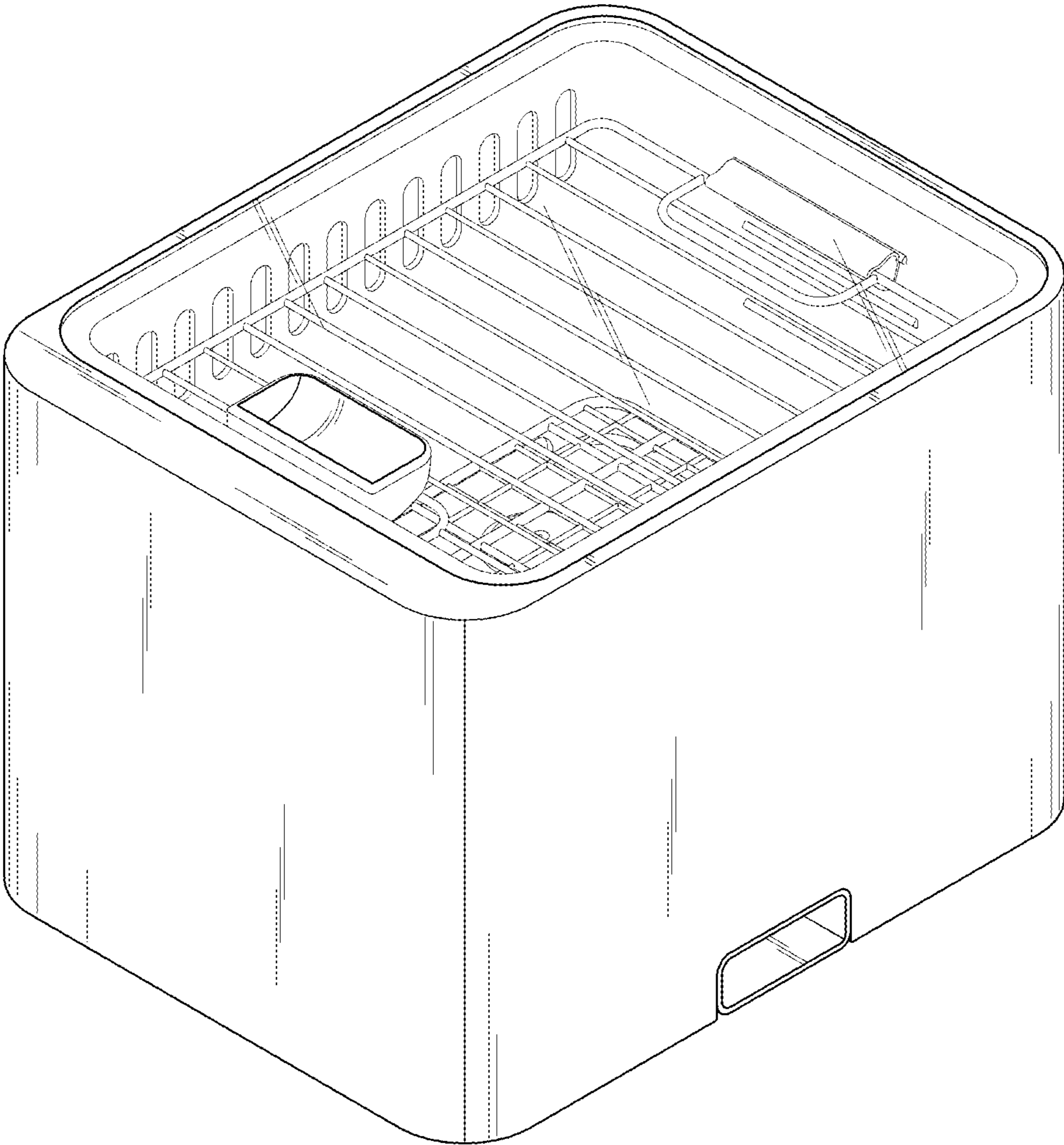


FIG. 2

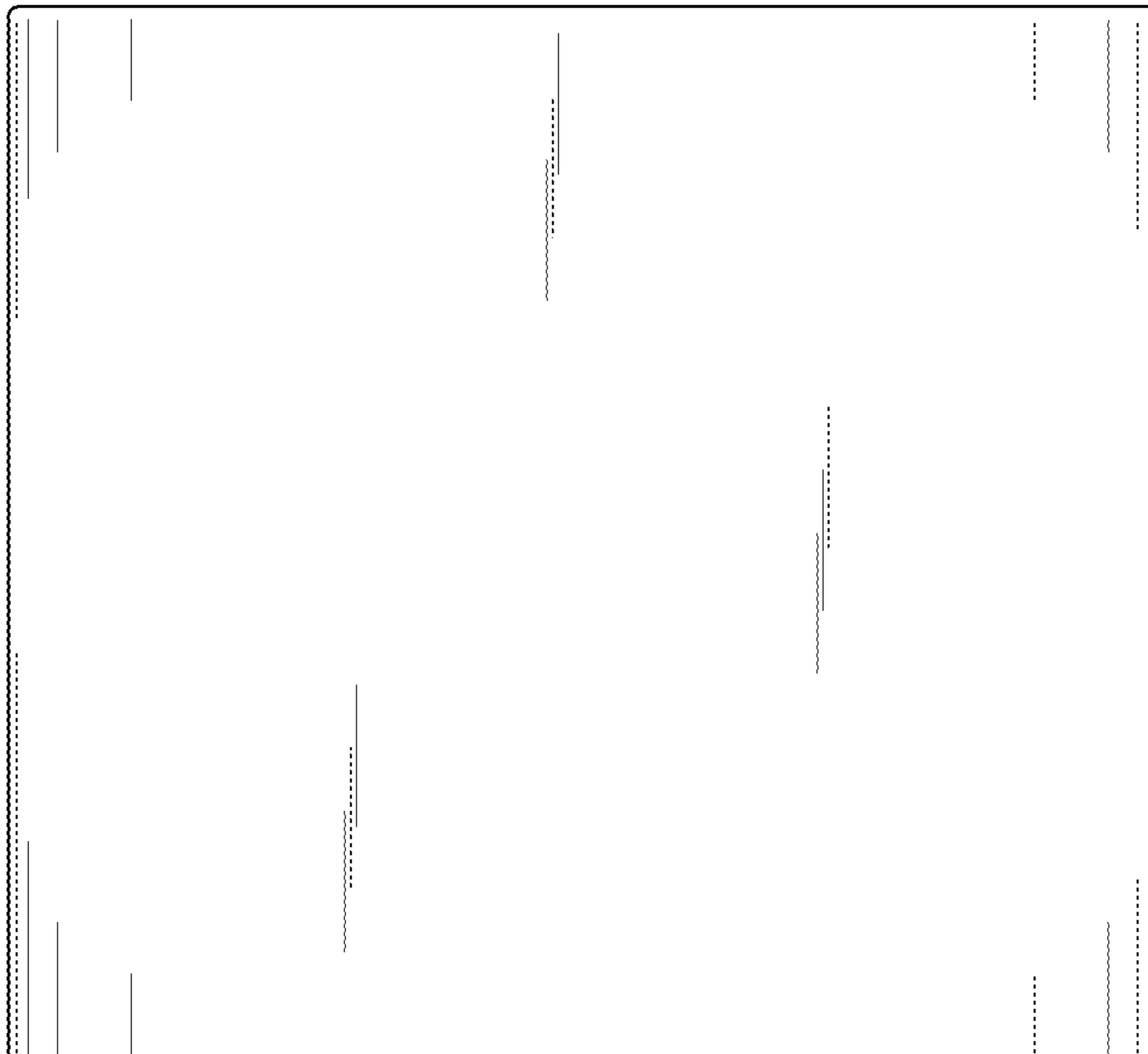


FIG. 3

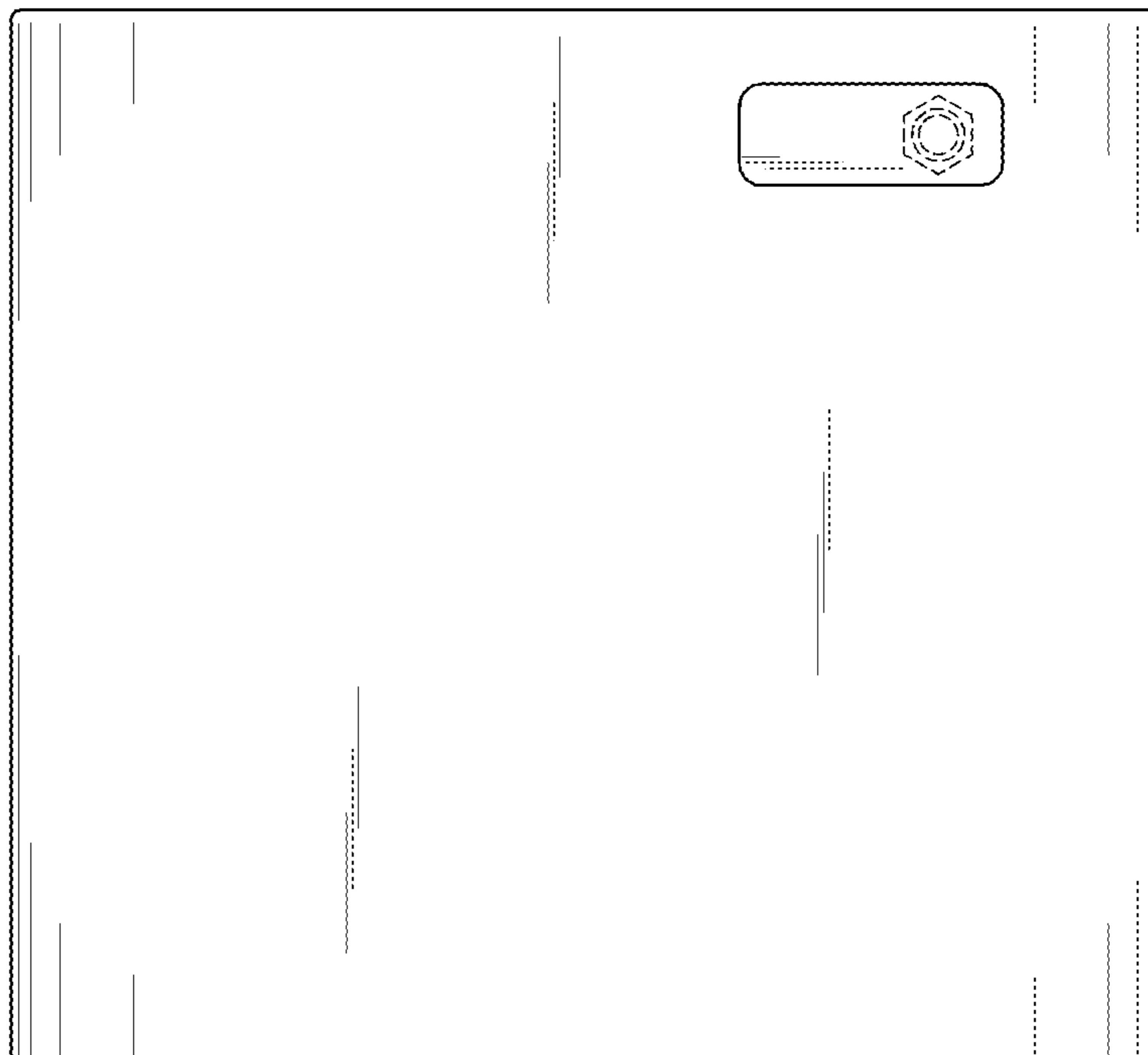


FIG. 4

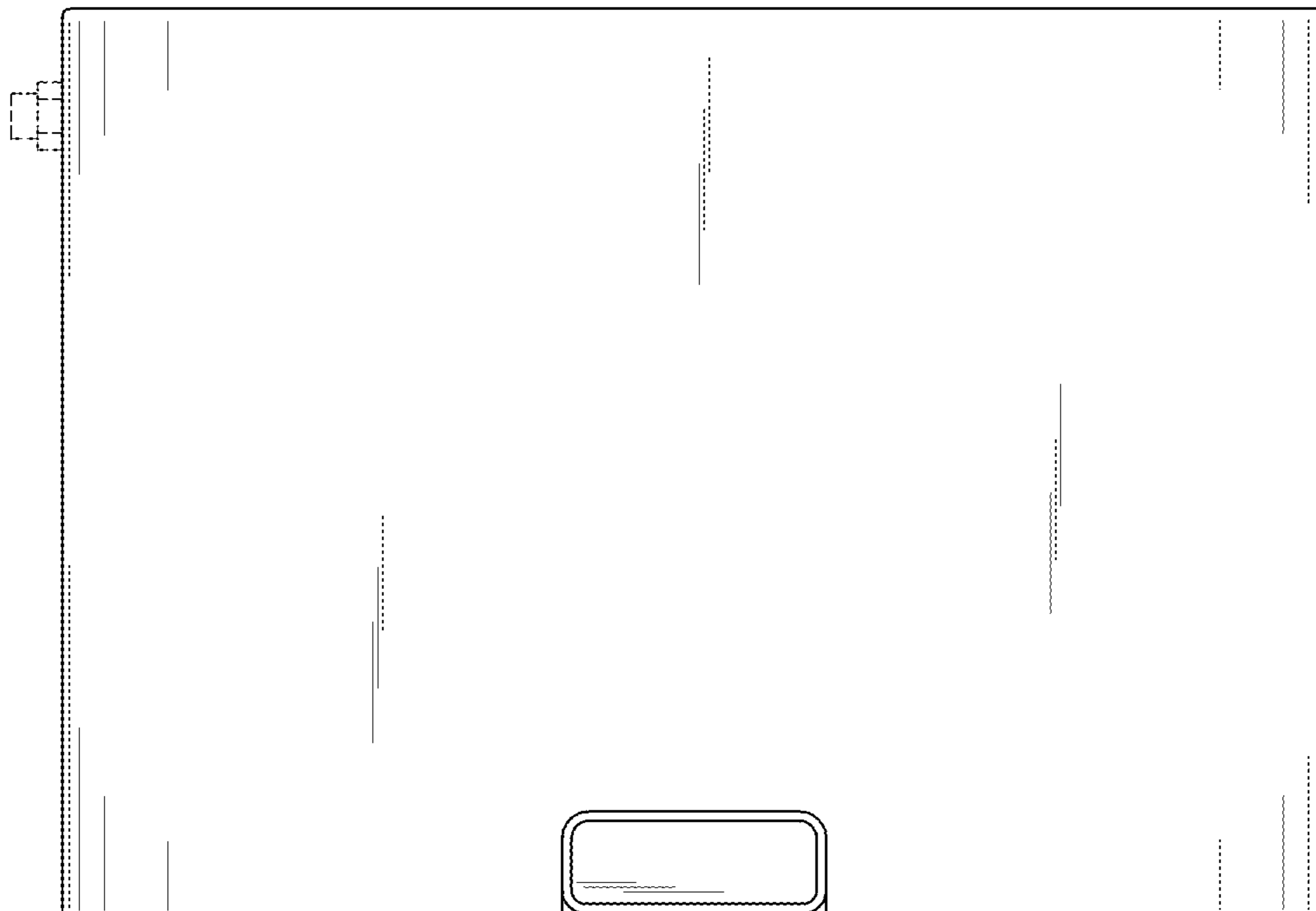


FIG. 5

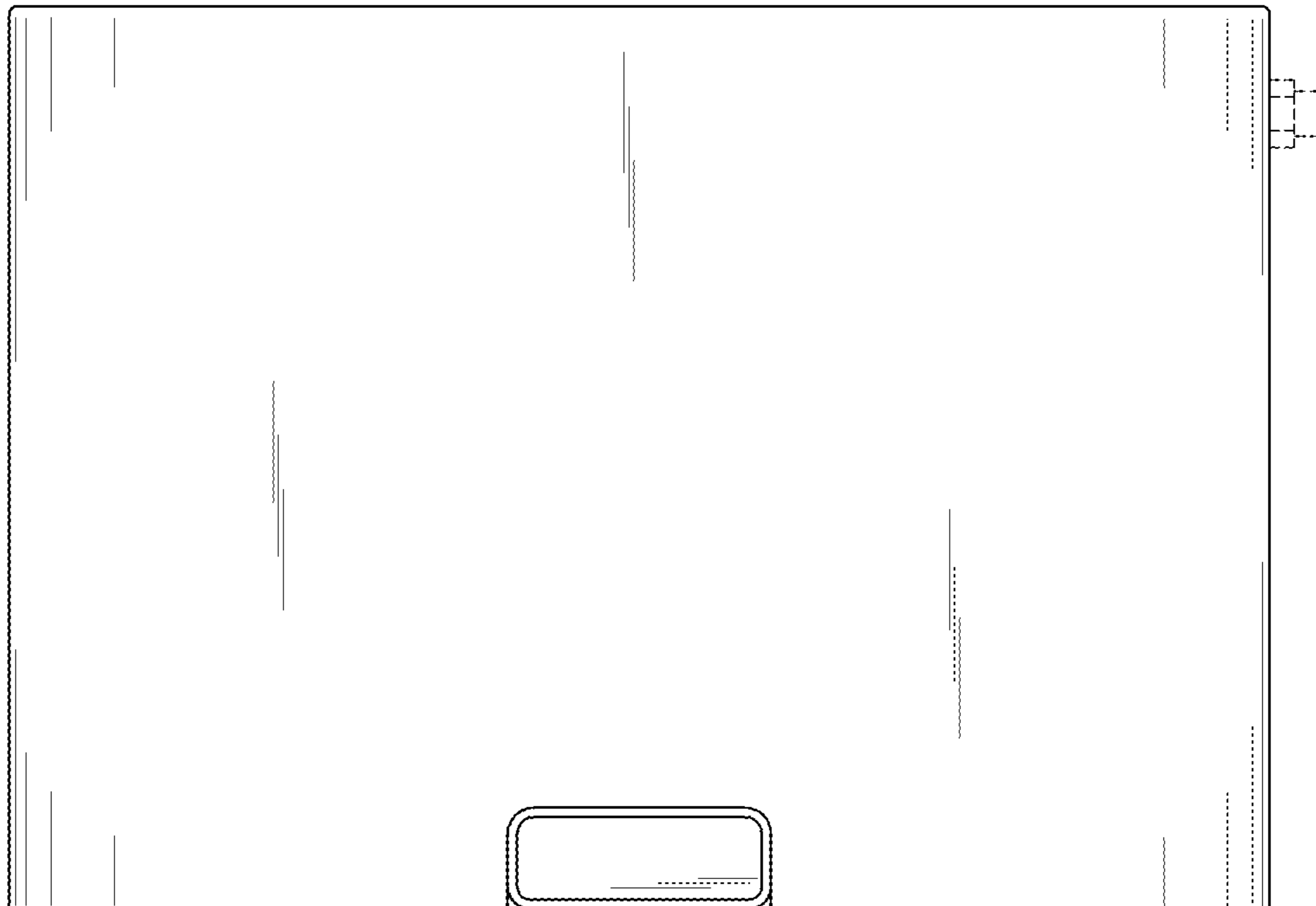


FIG. 6

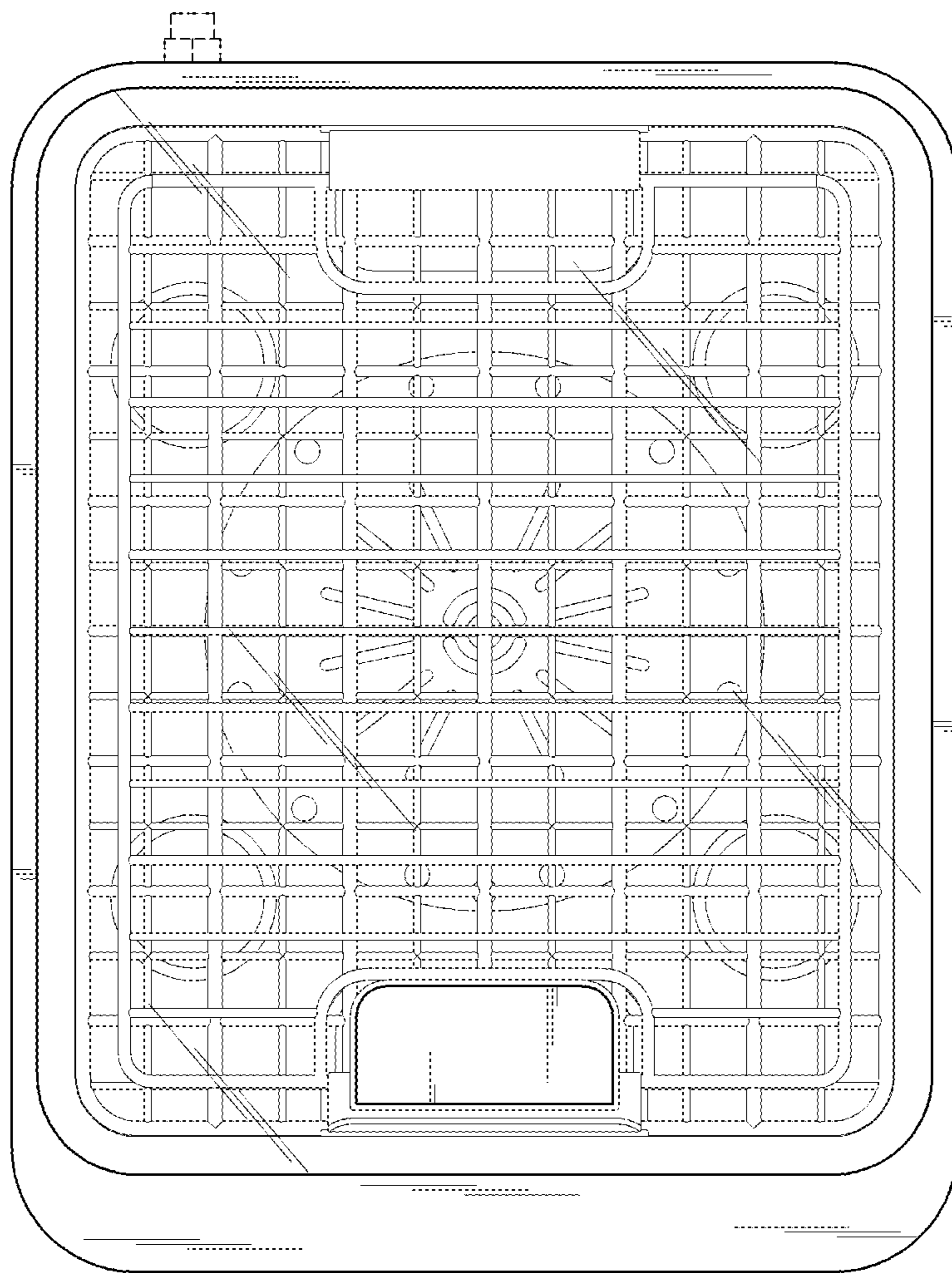


FIG. 7

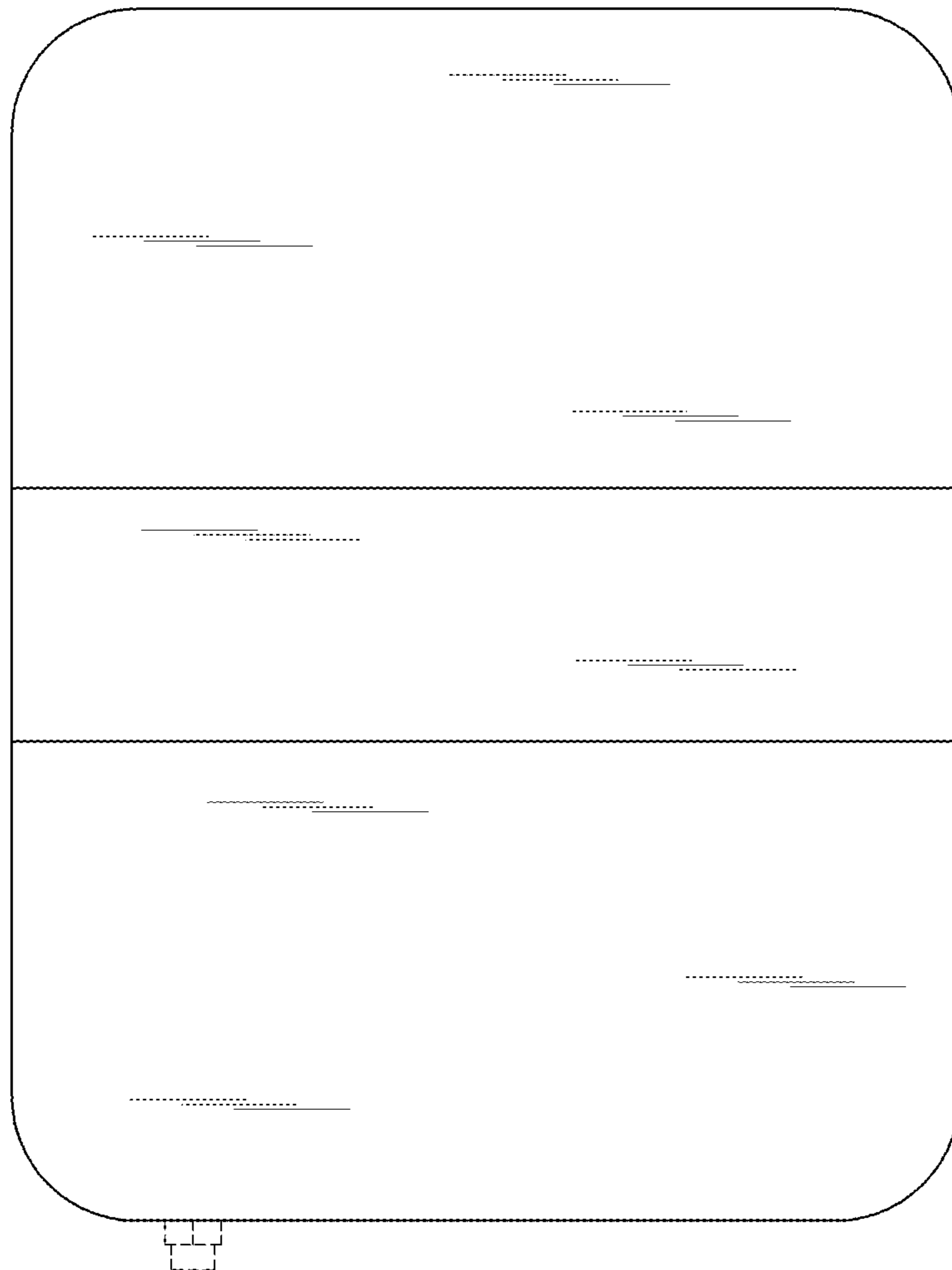


FIG. 8

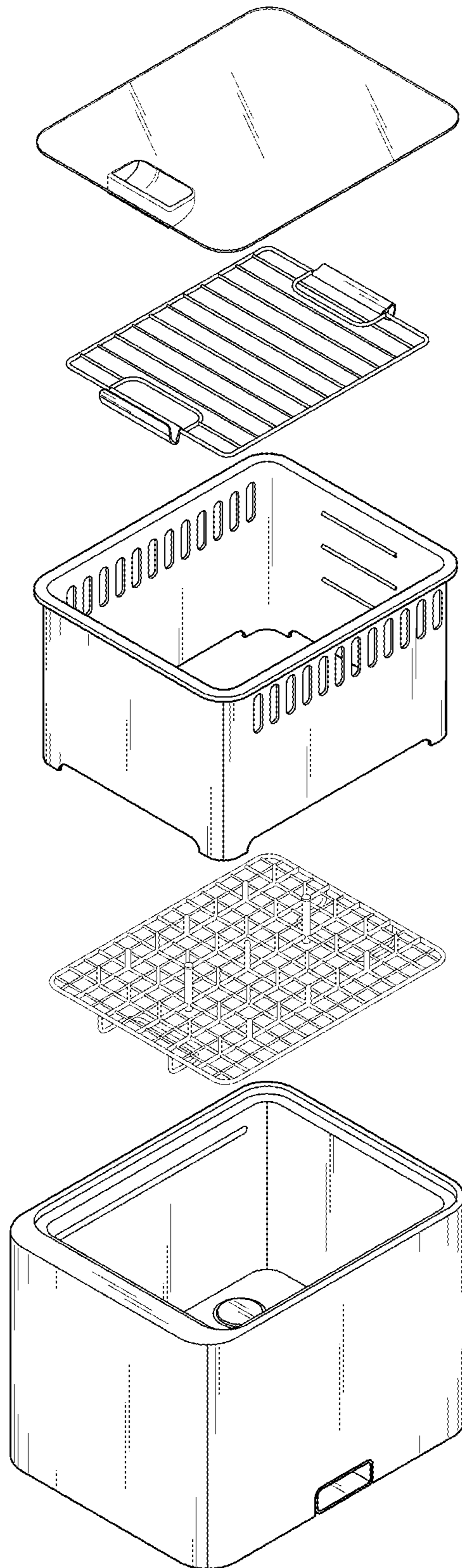


FIG. 9

