



US00D935113S

(12) **United States Design Patent** (10) **Patent No.:** **US D935,113 S**
Bocknek et al. (45) **Date of Patent:** **** Nov. 2, 2021**

(54) **TAIL BAND SENSOR**

(71) Applicant: **Alpha Vet Tech—Switzerland Sàrl**, Le Locle (CH)

(72) Inventors: **Jeremy Bocknek**, Wollongong (AU); **Sébastien Dassi**, St-Blaise (CH); **Mark Illi**, Bern (CH)

(73) Assignee: **ALPHA VET TECH—SWITZERLAND SÀRL**, Le Locle (CH)

(**) Term: **15 Years**

(21) Appl. No.: **35/509,385**

(22) Filed: **Nov. 13, 2019**

(80) **Hague Agreement Data**

Int. Filing Date: **Nov. 13, 2019**

Int. Reg. No.: **DM/207902**

Int. Reg. Date: **Nov. 13, 2019**

Int. Reg. Pub. Date: **May 15, 2020**

(51) **LOC (13) Cl.** **30-99**

(52) **U.S. Cl.**
USPC **D30/199; D30/152**

(58) **Field of Classification Search**
USPC **D30/151, 152, 155, 199; D10/32, 104.1, D10/104.2; D2/628, 894; D11/208**
CPC **A01K 15/021**
See application file for complete search history.

(56) **References Cited**

U.S. PATENT DOCUMENTS

5,462,020 A * 10/1995 Trimmer A01K 13/005
D30/145
D522,187 S * 5/2006 Nottingham D30/152
D663,494 S * 7/2012 Milliff D30/199
D720,248 S * 12/2014 Law D11/3
8,944,012 B2 * 2/2015 Hazan A01K 23/00
119/868
D725,841 S * 3/2015 So D30/152

D759,324 S * 6/2016 Pulliam D30/199
D851,339 S * 6/2019 Solinsky D30/152
D869,318 S * 12/2019 Bereshchanskiy D10/104.1
2008/0076989 A1 * 3/2008 Hete A61B 5/14552
600/323

(Continued)

OTHER PUBLICATIONS

“Alpha-Vet: Wireless Zoo, What the heck is a Wireless Zoo?”. Found online Mar. 11, 2021 at youtube.com. Reference dated Dec. 24, 2019. Retrieved from <https://www.youtube.com/watch?v=cpbGzf4K7Yo>.*

(Continued)

Primary Examiner — Kendra Leslie Hamilton

(74) *Attorney, Agent, or Firm* — Pearne & Gordon LLP

(57) **CLAIM**

The ornamental design for a tail band sensor, as shown and described.

DESCRIPTION

Tail band sensor

2.1: Top, front, left perspective view in a closed configuration

2.2: Top, back, left perspective view, thereof

2.3: Top plan view, thereof

2.4: Bottom plan view, thereof

2.5: Left side elevation view, thereof

2.6: Right side elevation view, thereof

2.7: Front elevation view, thereof

2.8: Back elevation view, thereof

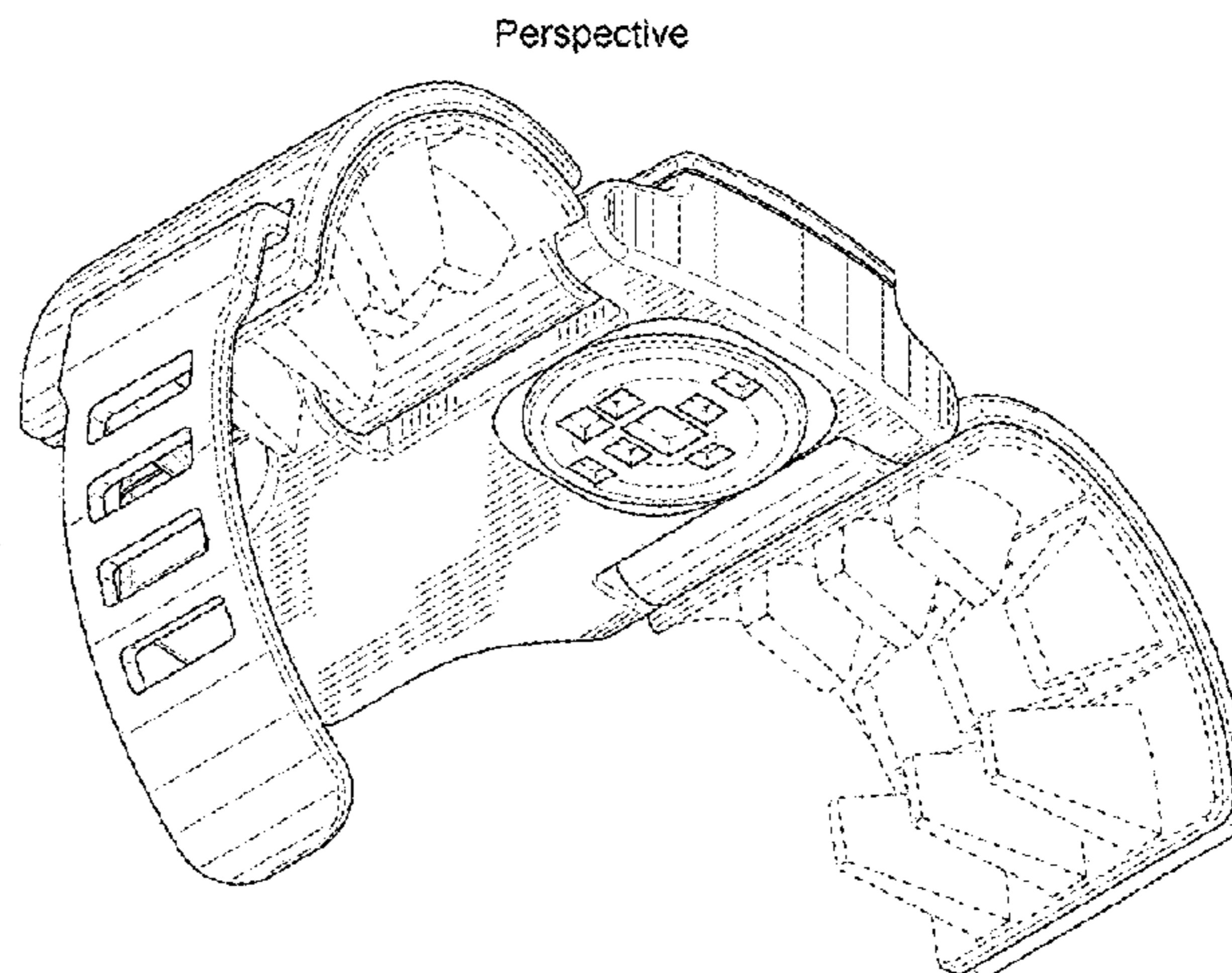
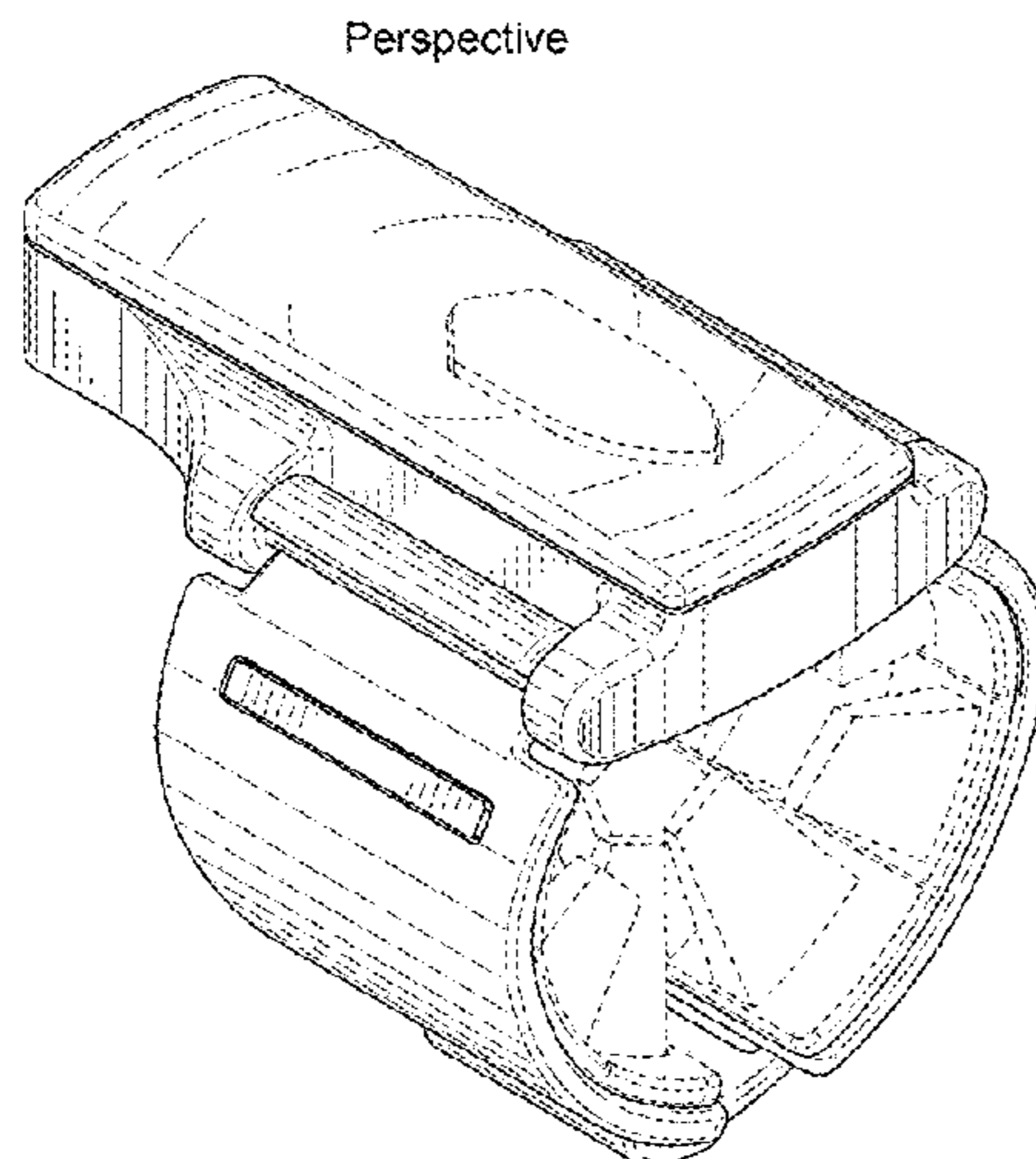
2.9: Top, front, left perspective view in an open configuration

2.10: Top, back, left perspective view, thereof.

Reproductions **2.1** and **2.2** are perspective views in the closed positions; reproductions **2.9** and **2.10** are perspective views in the open positions.

The broken lines shown in the drawings illustrate portions of the tail band sensor that form no part of the claimed design.

1 Claim, 6 Drawing Sheets



(56)

References Cited

U.S. PATENT DOCUMENTS

2011/0232585 A1* 9/2011 Rich G01S 5/14
119/721
2012/0212937 A1* 8/2012 Muller A01K 27/006
362/103
2018/0064068 A1* 3/2018 McKee A01K 27/009

OTHER PUBLICATIONS

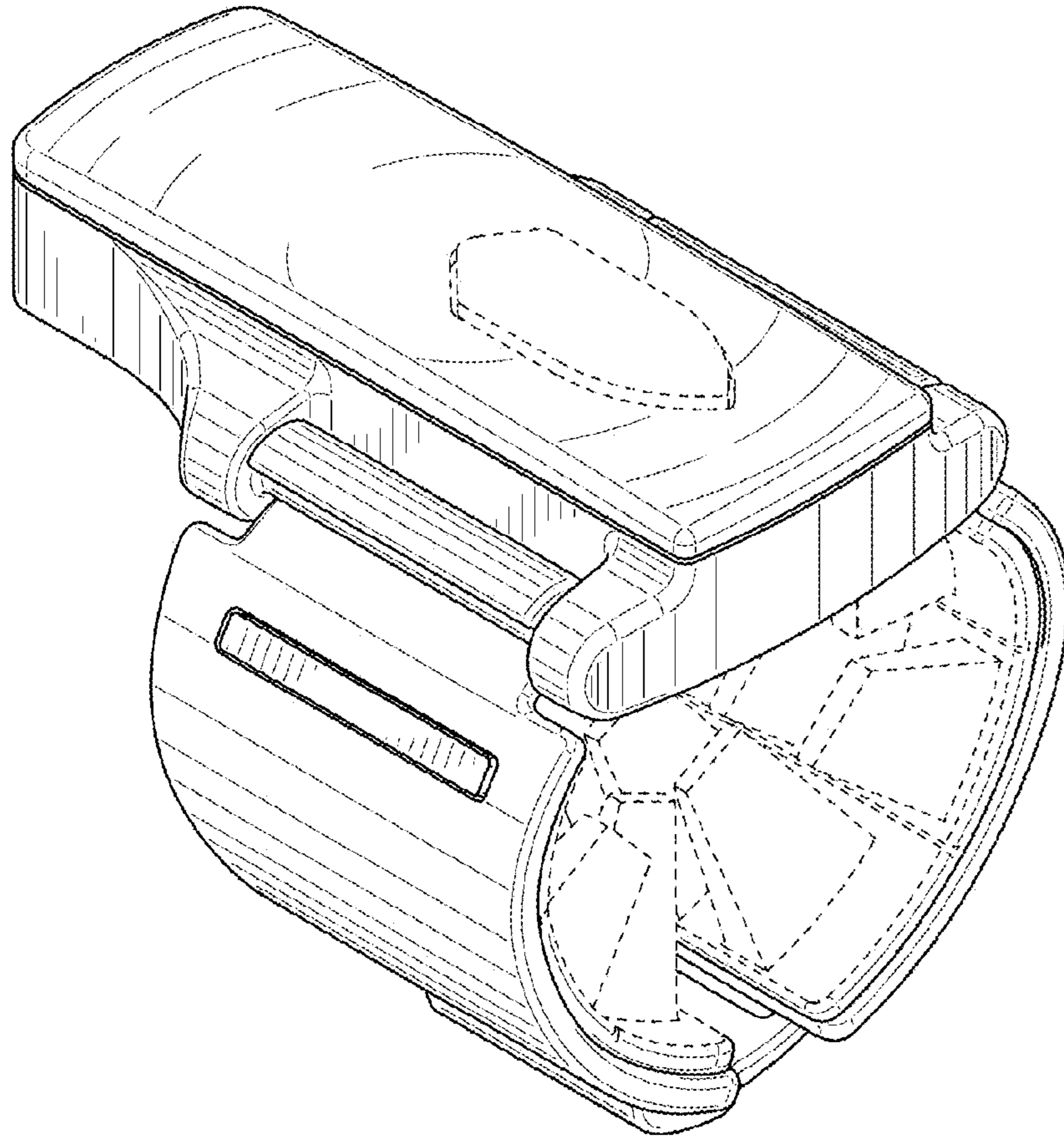
“Rawr Smart Collar: To Bond with the Pet You Love”. Found online Mar. 12, 2021 at getrawr.com. Reference dated Apr. 13, 2018. Retrieved from <https://web.archive.org/web/20180413111804/https://getrawr.com/>.*

“Harex Male Incontinence Clamp”. Found online May 13, 2020 at [facebook.com](https://www.facebook.com/harexdevice/photos/a.2378965355716582/2378965332383251/?type=3&theater). Reference dated May 20, 2019. Retrieved from <https://www.facebook.com/harexdevice/photos/a.2378965355716582/2378965332383251/?type=3&theater>.*

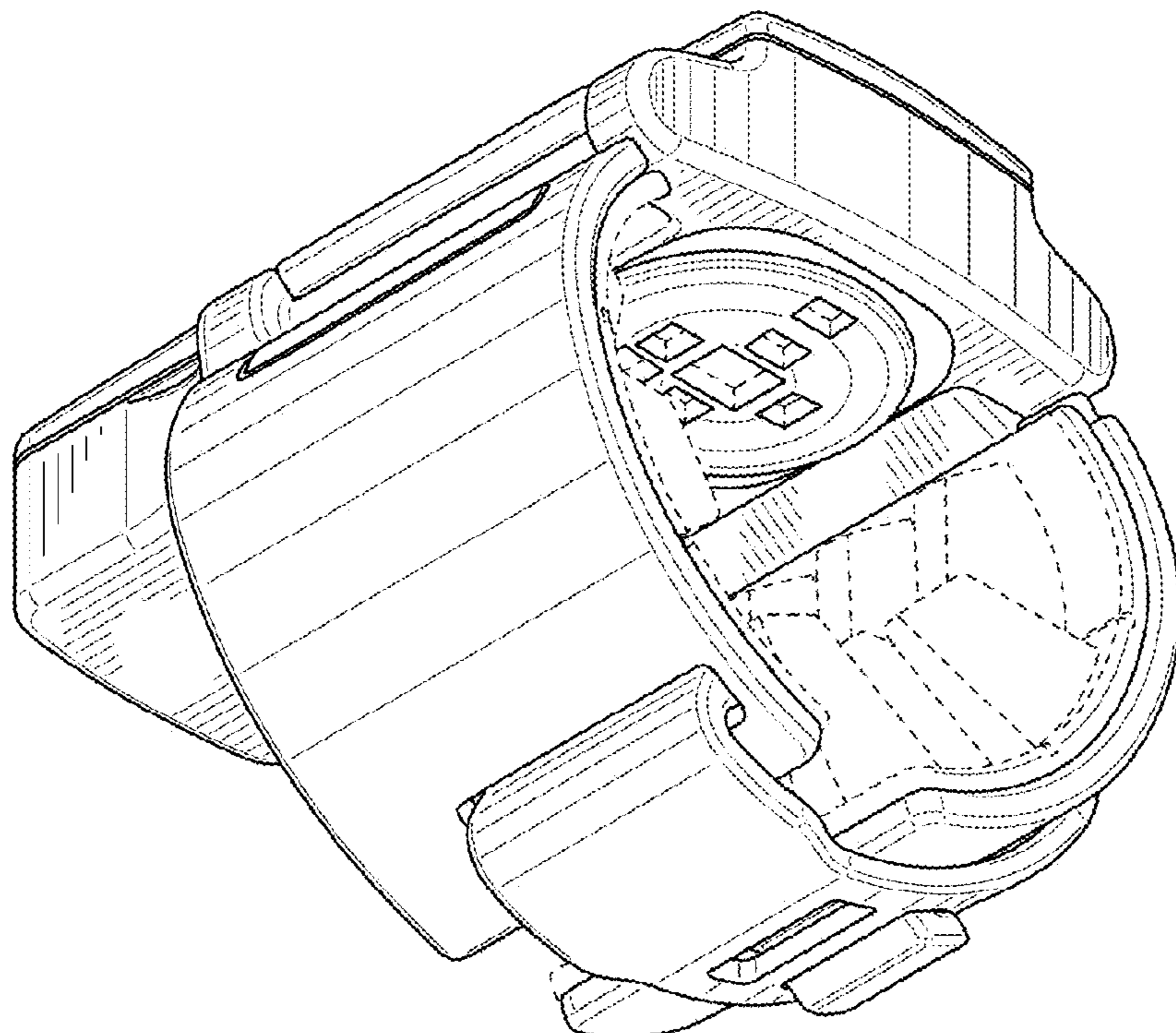
“TailTalk: New Sensor Helps Owners Understand Their Dog’s Emotions”. Found online Mar. 11, 2021 at [nydailynews.com](https://www.nydailynews.com/entertainment/new-sensor-helps-owners-understand-dog-emotions-article-1.2385805). Reference dated Oct. 5, 2015. Retrieved from <https://www.nydailynews.com/entertainment/new-sensor-helps-owners-understand-dog-emotions-article-1.2385805>.*

* cited by examiner

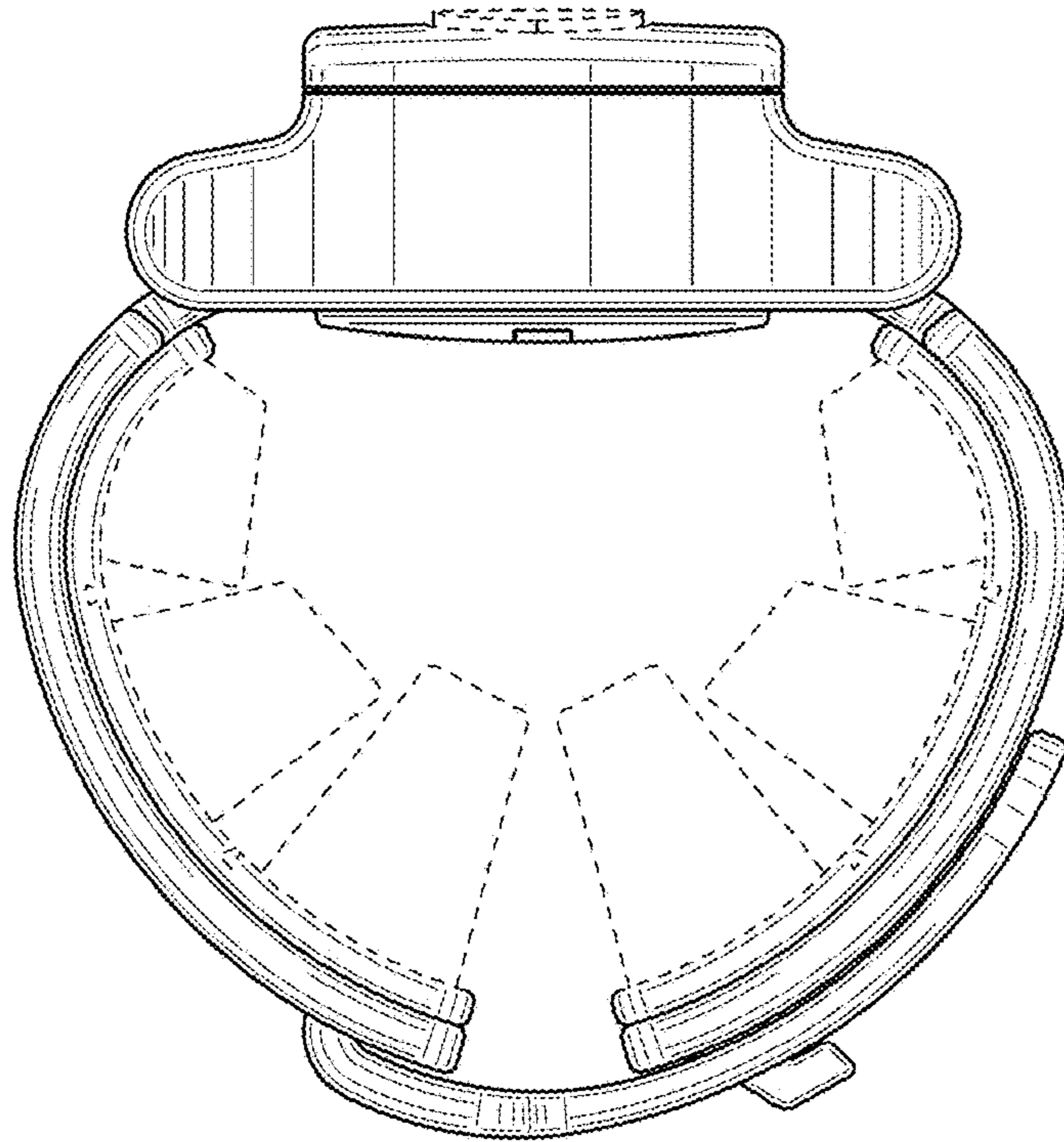
2.1
Perspective



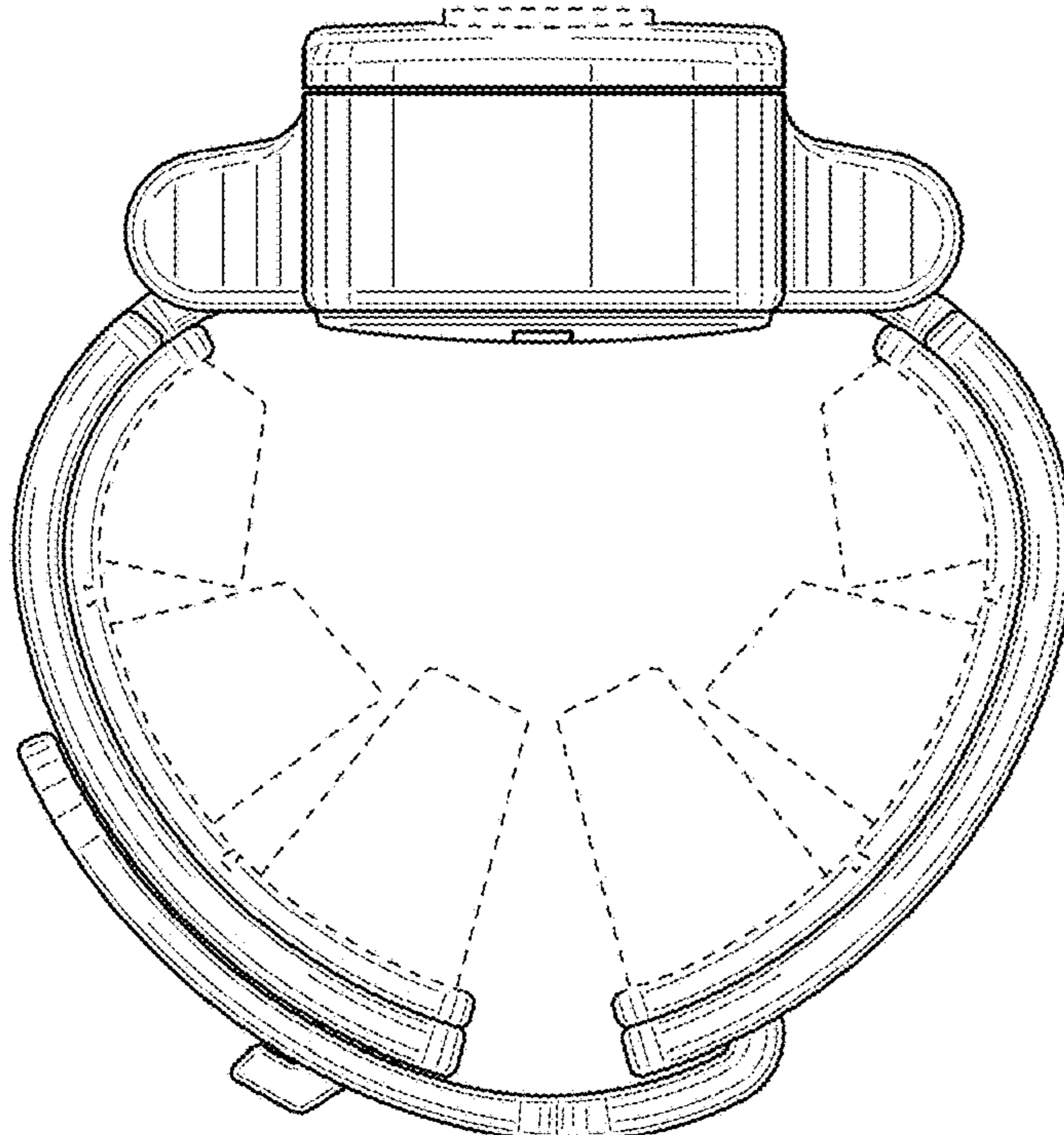
2.2
Perspective



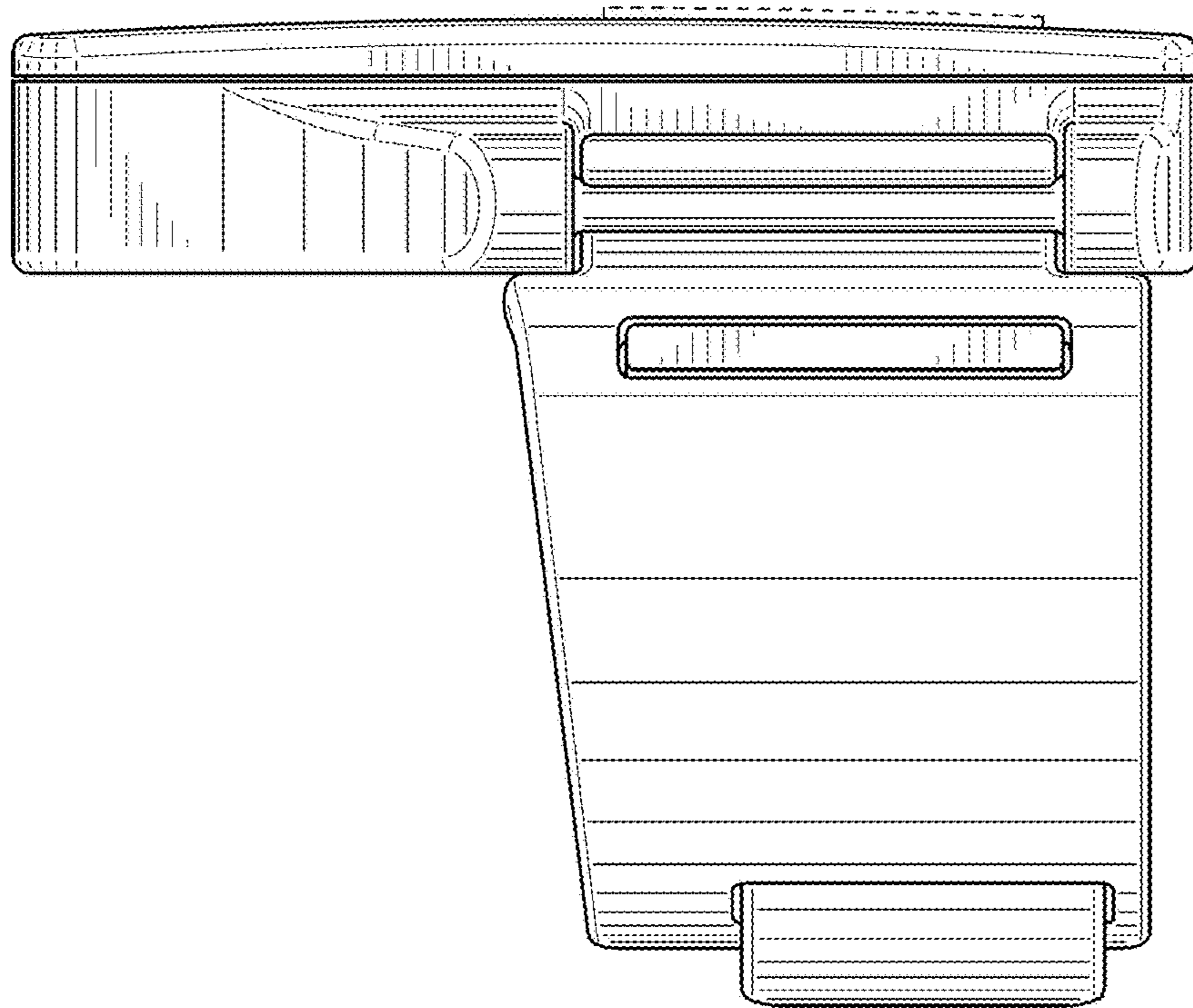
2.3
Top



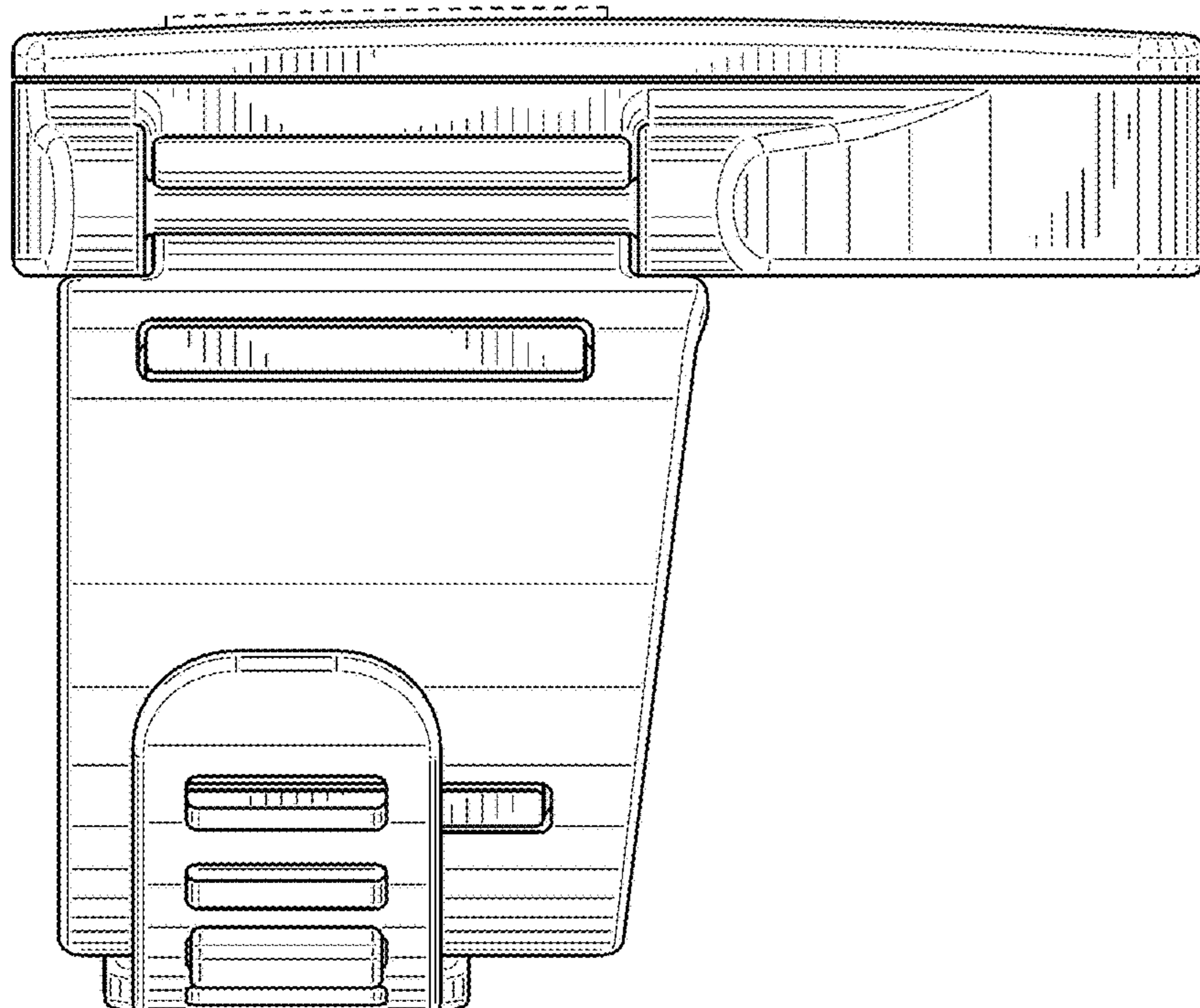
2.4
Bottom



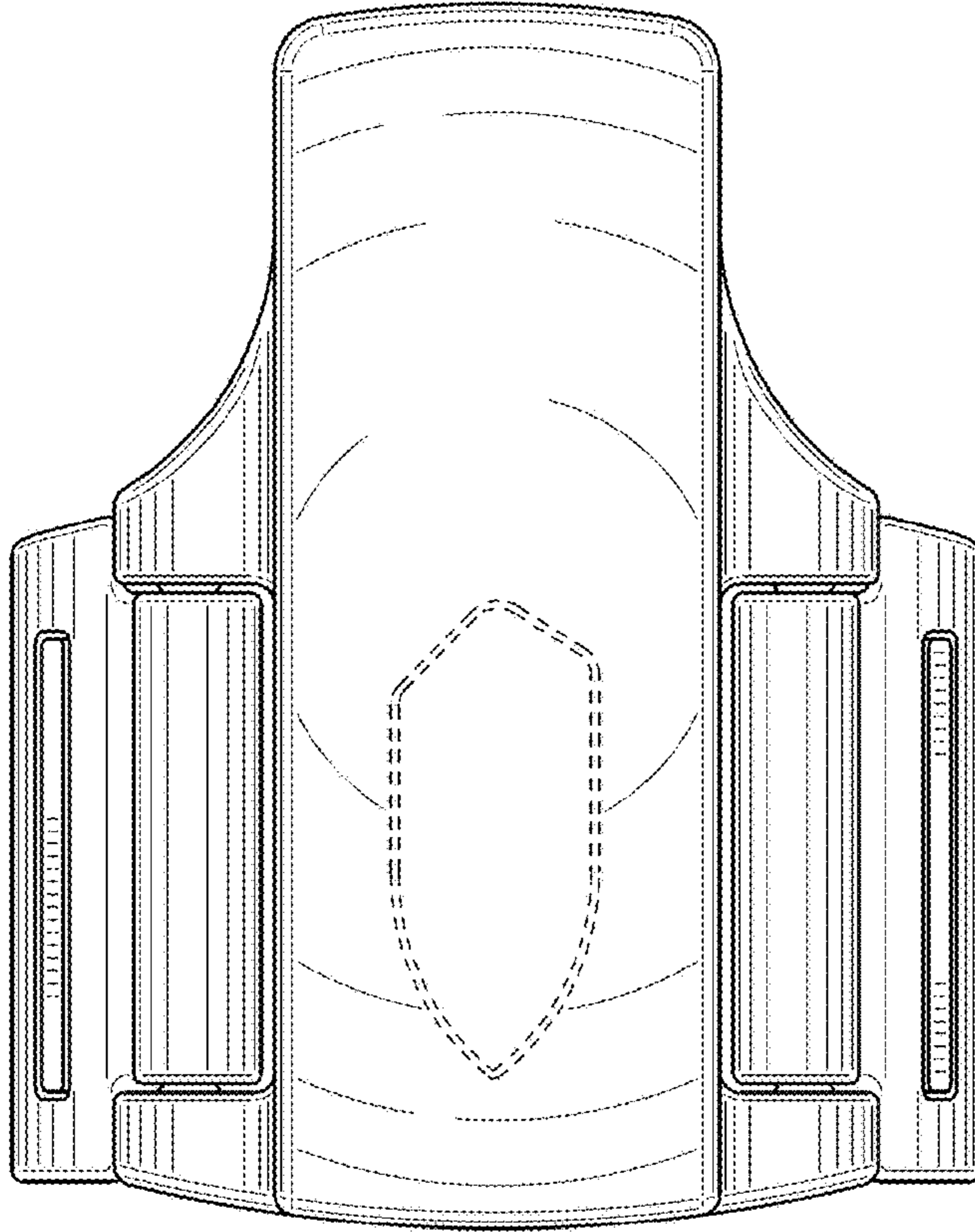
2.5
Left



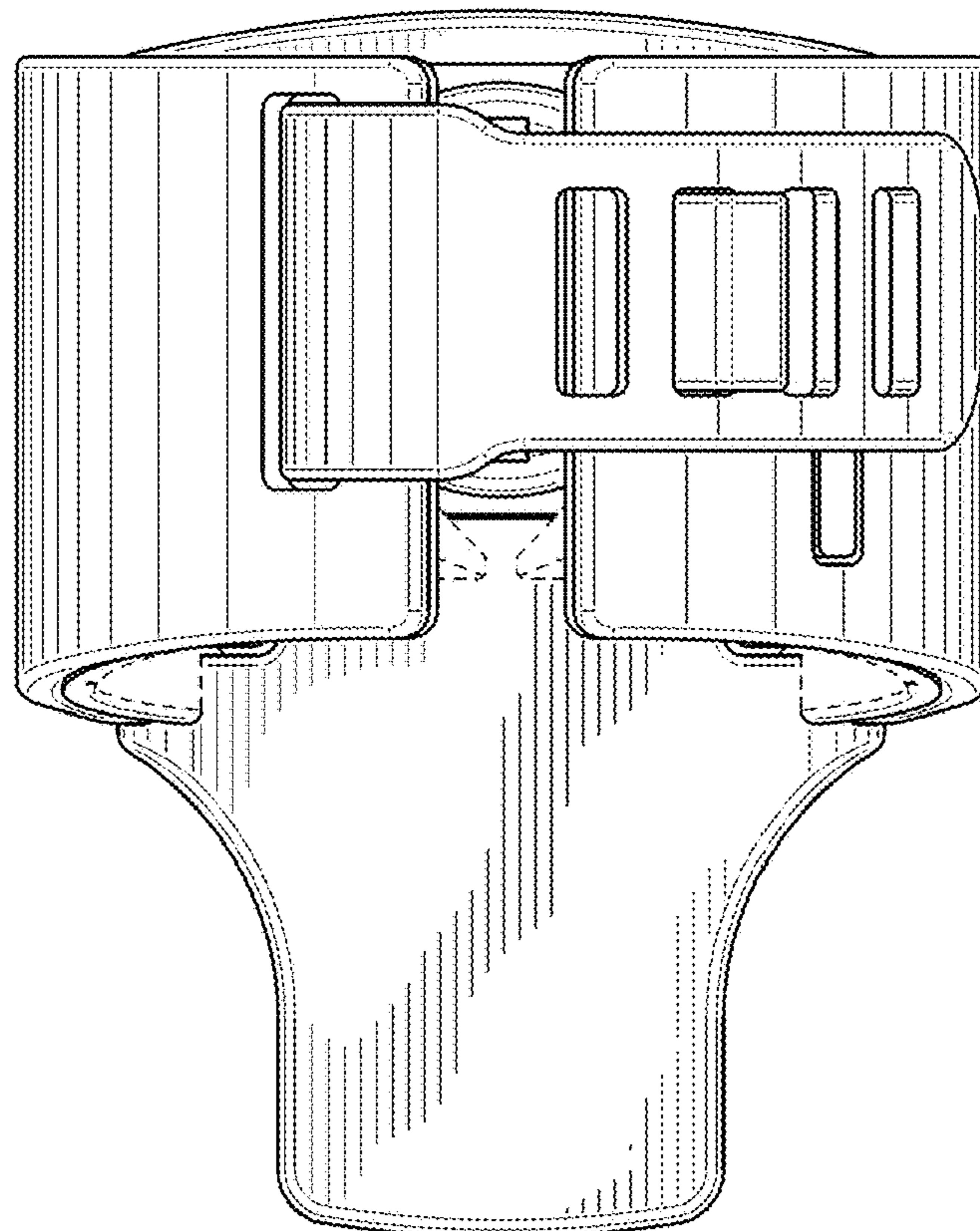
2.6
Right



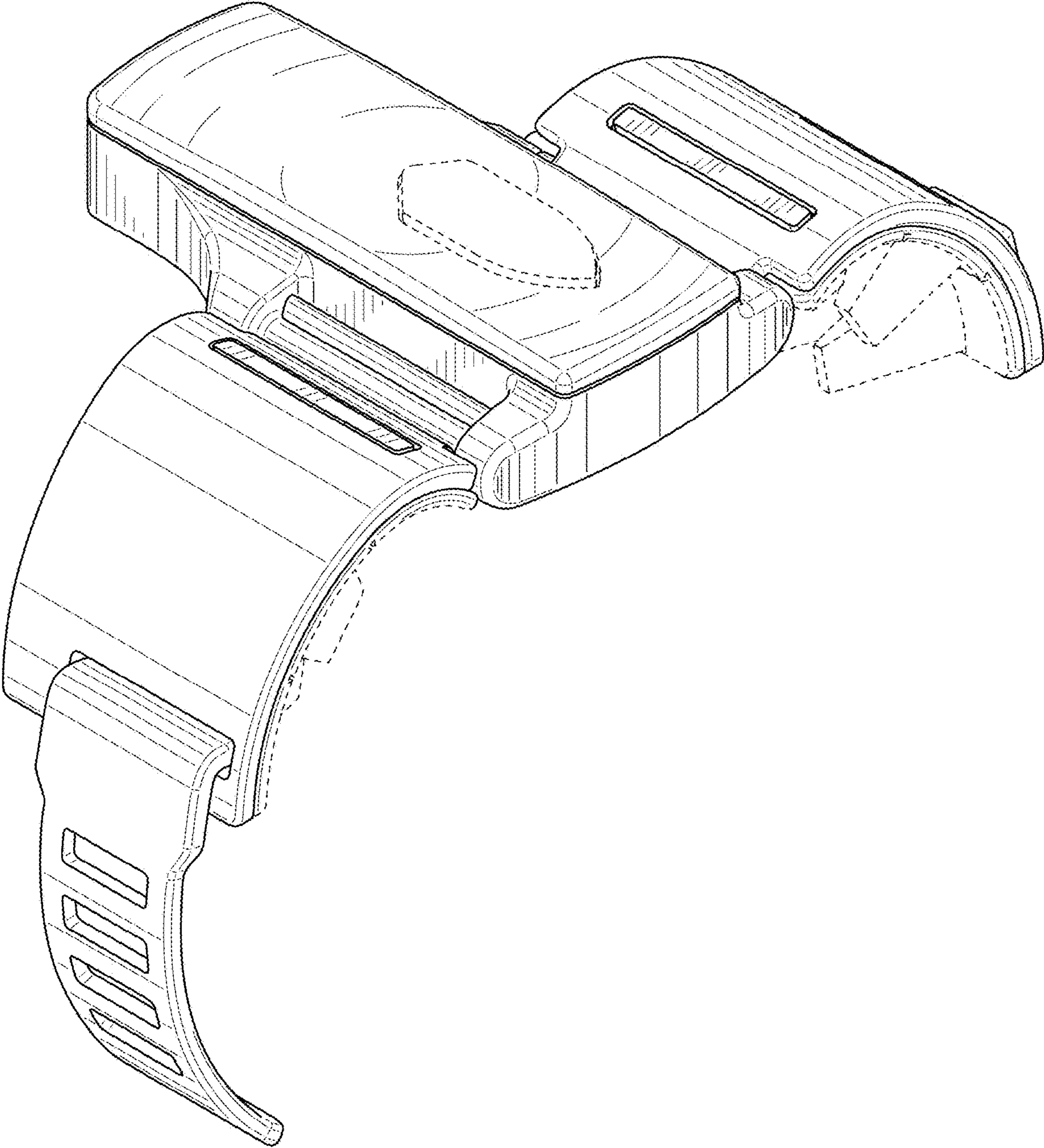
2.7
Front



2.8
Back



2.9
Perspective



2.10
Perspective

