



US00D935110S

(12) **United States Design Patent**  
**Toellner**

(10) **Patent No.:** **US D935,110 S**  
(45) **Date of Patent:** **\*\* Nov. 2, 2021**

(54) **BIRD WATERER BASE**  
(71) Applicant: **Gold Crest Distributing, LLC,**  
Mexico, MO (US)  
(72) Inventor: **Grant M. Toellner,** Mexico, MO (US)  
(73) Assignee: **GOLD CREST DISTRIBUTING,**  
**LLC,** Mexico, MO (US)  
(\*\*) Term: **15 Years**

1,226,594 A \* 5/1917 Pruefert ..... A01K 39/026  
119/77  
1,488,584 A \* 4/1924 Bakken ..... A01K 39/026  
119/77  
1,490,757 A \* 4/1924 Baruth ..... A01K 39/012  
119/77  
1,566,571 A \* 12/1925 Appleton ..... A01K 39/026  
119/77  
1,607,124 A \* 11/1926 Healy ..... A01K 39/026  
119/77  
1,734,390 A \* 11/1929 Meredith ..... A01K 39/026  
119/77

(Continued)

(21) Appl. No.: **29/723,196**

(22) Filed: **Feb. 5, 2020**

(51) **LOC (13) Cl.** ..... **30-03**

(52) **U.S. Cl.** ..... **D30/132**  
USPC

(58) **Field of Classification Search**  
USPC ..... D30/121-128, 132, 133; D22/122, 123;  
43/121, 124, 126, 131, 132.1, 133, 138,  
43/114, 107; 119/72, 72.5-81  
CPC ..... A01M 1/023; A01M 1/026; A01M 1/04;  
A01M 1/08; A01M 1/10; A01M 1/00;  
A01M 1/02; A01K 39/00; A01K 39/01;  
A01K 39/0125; A01K 39/02; A01K  
39/0206; A01K 39/022; A01K 39/026;  
A01K 39/04; A01K 39/06  
See application file for complete search history.

(56) **References Cited**

**U.S. PATENT DOCUMENTS**

655,477 A \* 8/1900 Combs ..... A01K 5/0241  
119/53.5  
1,023,240 A \* 4/1912 Bowie ..... A01K 39/026  
119/77  
1,023,658 A \* 4/1912 Klussman ..... A01K 39/026  
119/77  
1,181,045 A \* 4/1916 Tessier ..... A01K 39/026  
119/77

**OTHER PUBLICATIONS**

Miller Mason Jar Watering Base [https://www.amazon.com/dp/B004XNMHLK/ref=sspa\\_dk\\_detail\\_0](https://www.amazon.com/dp/B004XNMHLK/ref=sspa_dk_detail_0) Jul. 2014 (Year: 2014).\*

(Continued)

*Primary Examiner* — Susan Moon Lee  
(74) *Attorney, Agent, or Firm* — Martin & Associates,  
LLC; Derek P. Martin

(57) **CLAIM**

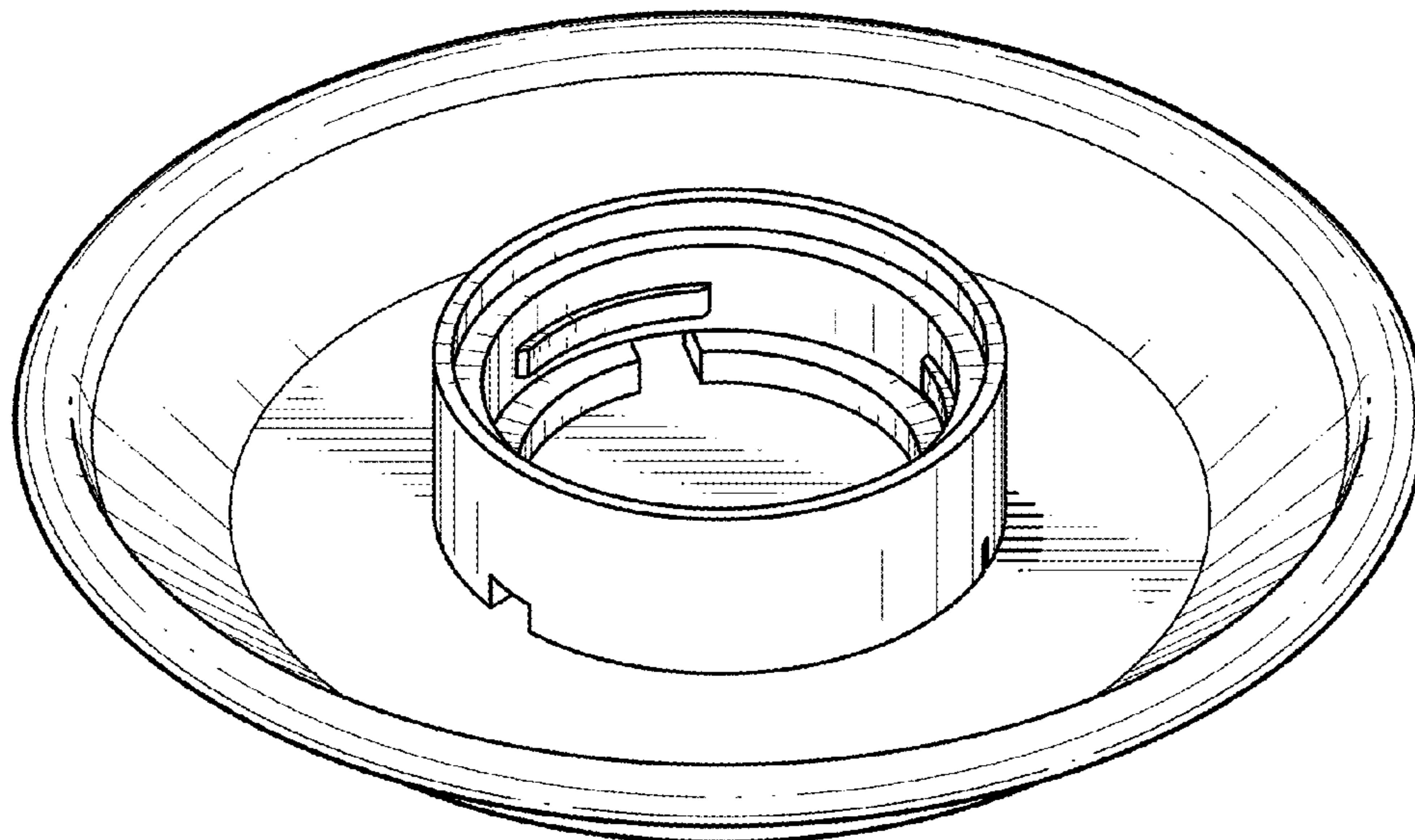
The ornamental design for a bird waterer base, as shown and described.

**DESCRIPTION**

FIG. 1 is an upper perspective view of a bird waterer base showing the new design;  
FIG. 2 is a lower perspective view of the bird waterer base;  
FIG. 3 is a top view thereof;  
FIG. 4 is a bottom view thereof; and,  
FIG. 5 is a side view thereof, where the front view, opposite side view and back view are identical to the side view in FIG. 5.

The broken lines depict unclaimed features of the bird waterer base that form no part of the design claim but are shown for purposes of illustration.

**1 Claim, 5 Drawing Sheets**



(56)

**References Cited**

U.S. PATENT DOCUMENTS

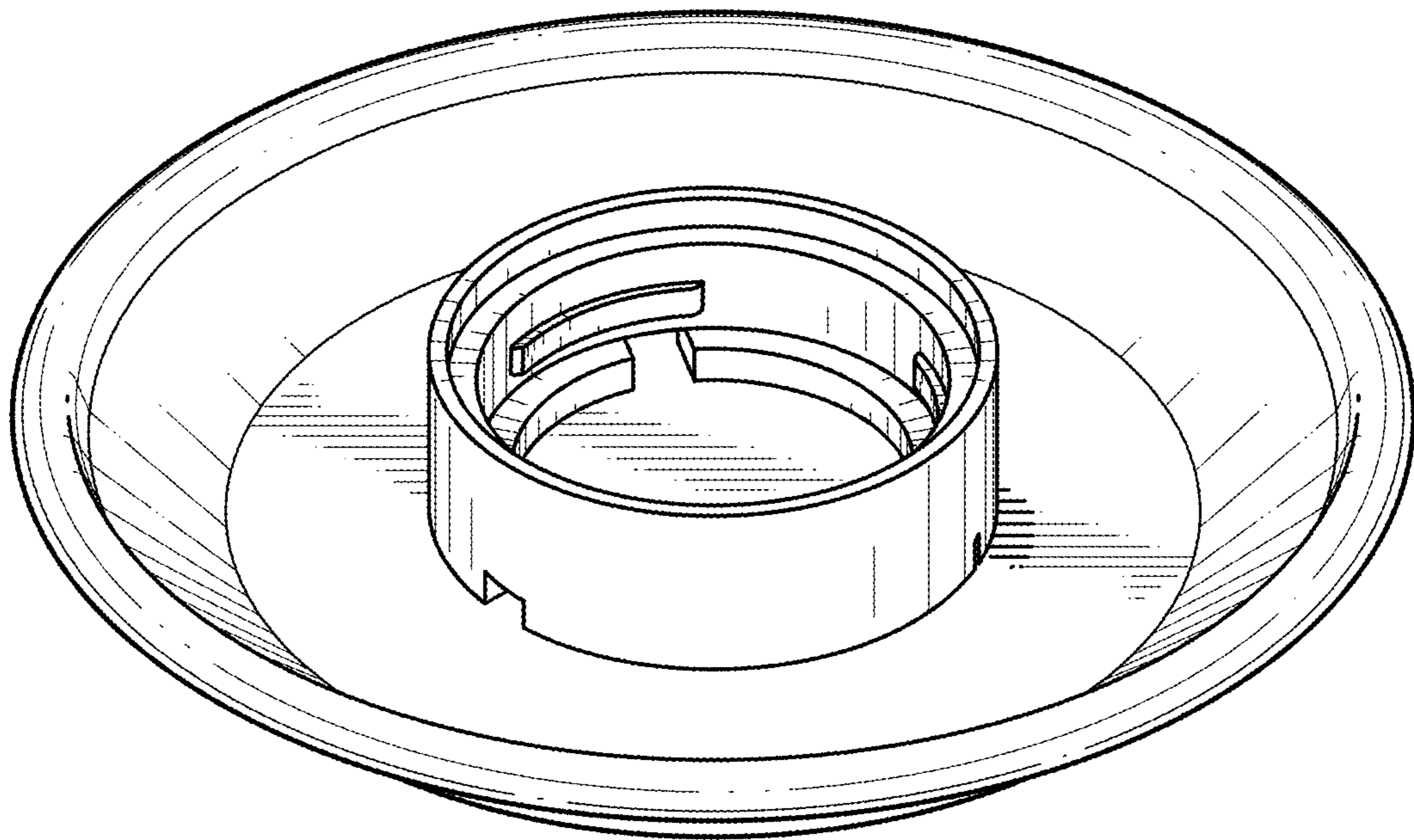
1,801,932 A \* 4/1931 Miller ..... A01K 39/026  
119/77  
1,922,612 A \* 8/1933 Barker ..... A01K 39/00  
119/77  
2,324,020 A \* 7/1943 Pinson ..... A01K 39/026  
119/77  
2,573,802 A \* 11/1951 Mitchell ..... A01K 39/026  
119/77  
2,600,103 A \* 6/1952 Feck ..... A01K 39/026  
119/77  
2,702,528 A \* 2/1955 Lehmann ..... A01K 39/026  
119/77  
3,170,439 A \* 2/1965 Juenger ..... H05B 3/00  
119/73  
3,811,412 A \* 5/1974 Murto ..... A01K 39/0125  
119/53  
5,195,463 A \* 3/1993 Lorenzana ..... A01K 45/002  
119/52.2  
5,829,386 A \* 11/1998 Wenstrand ..... A01K 39/026  
119/77

6,866,004 B1 \* 3/2005 Lush ..... A01K 39/012  
119/52.1  
D537,353 S \* 2/2007 Bailey ..... D9/540  
D674,562 S \* 1/2013 Hoysak ..... D30/132  
D799,756 S \* 10/2017 Fox ..... D30/124  
D814,715 S \* 4/2018 Fox ..... D30/124  
10,299,465 B2 \* 5/2019 King ..... A01K 39/012  
2009/0255475 A1 \* 10/2009 Black ..... A01K 39/0125  
119/53  
2010/0089330 A1 \* 4/2010 McMullen ..... A01K 39/012  
119/52.3  
2012/0132144 A1 \* 5/2012 Parks ..... A01K 5/0114  
119/51.5  
2014/0251220 A1 \* 9/2014 King ..... A01K 39/012  
119/53  
2017/0181411 A1 \* 6/2017 King ..... A01K 39/012

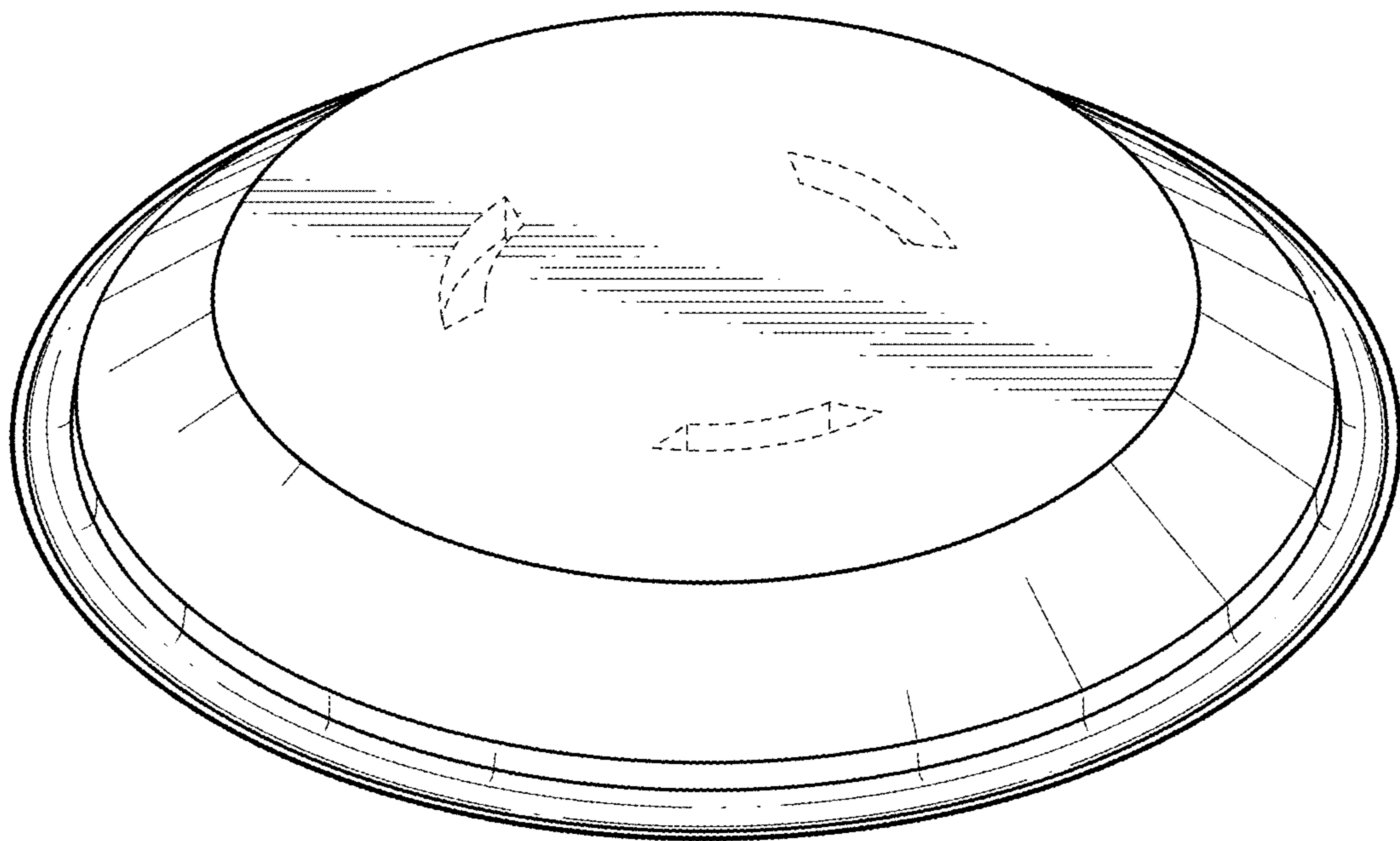
OTHER PUBLICATIONS

Little Giant Screw on Poultry Waterer Base [https://www.amazon.com/LITTLE-Screw-Poultry-Waterer-Purple/dp/B07XJZB5VG/ref=cm\\_cr\\_arp\\_d\\_pl\\_foot\\_top?ie=UTF8](https://www.amazon.com/LITTLE-Screw-Poultry-Waterer-Purple/dp/B07XJZB5VG/ref=cm_cr_arp_d_pl_foot_top?ie=UTF8) 2020 (Year: 2020).\*

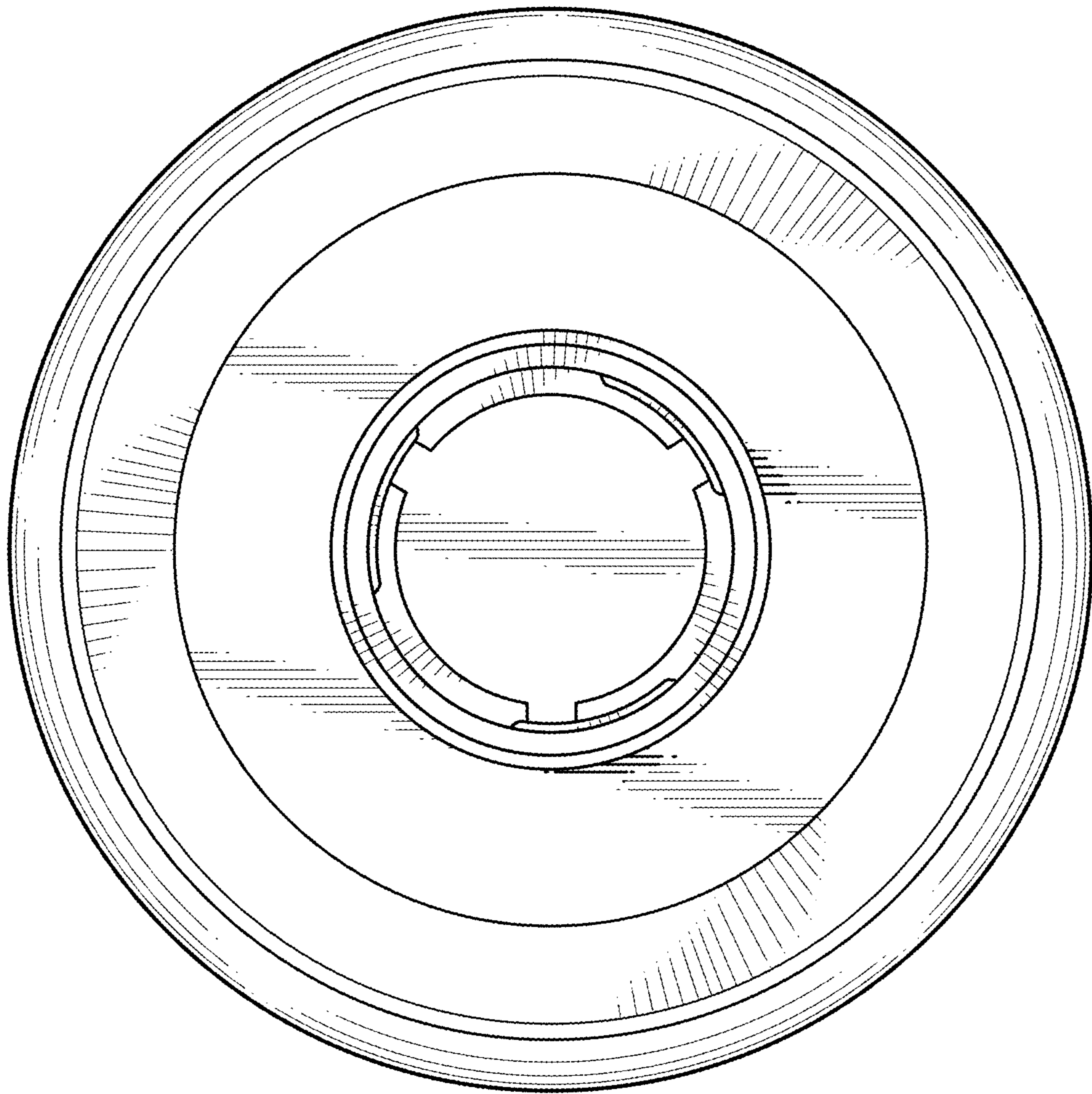
\* cited by examiner



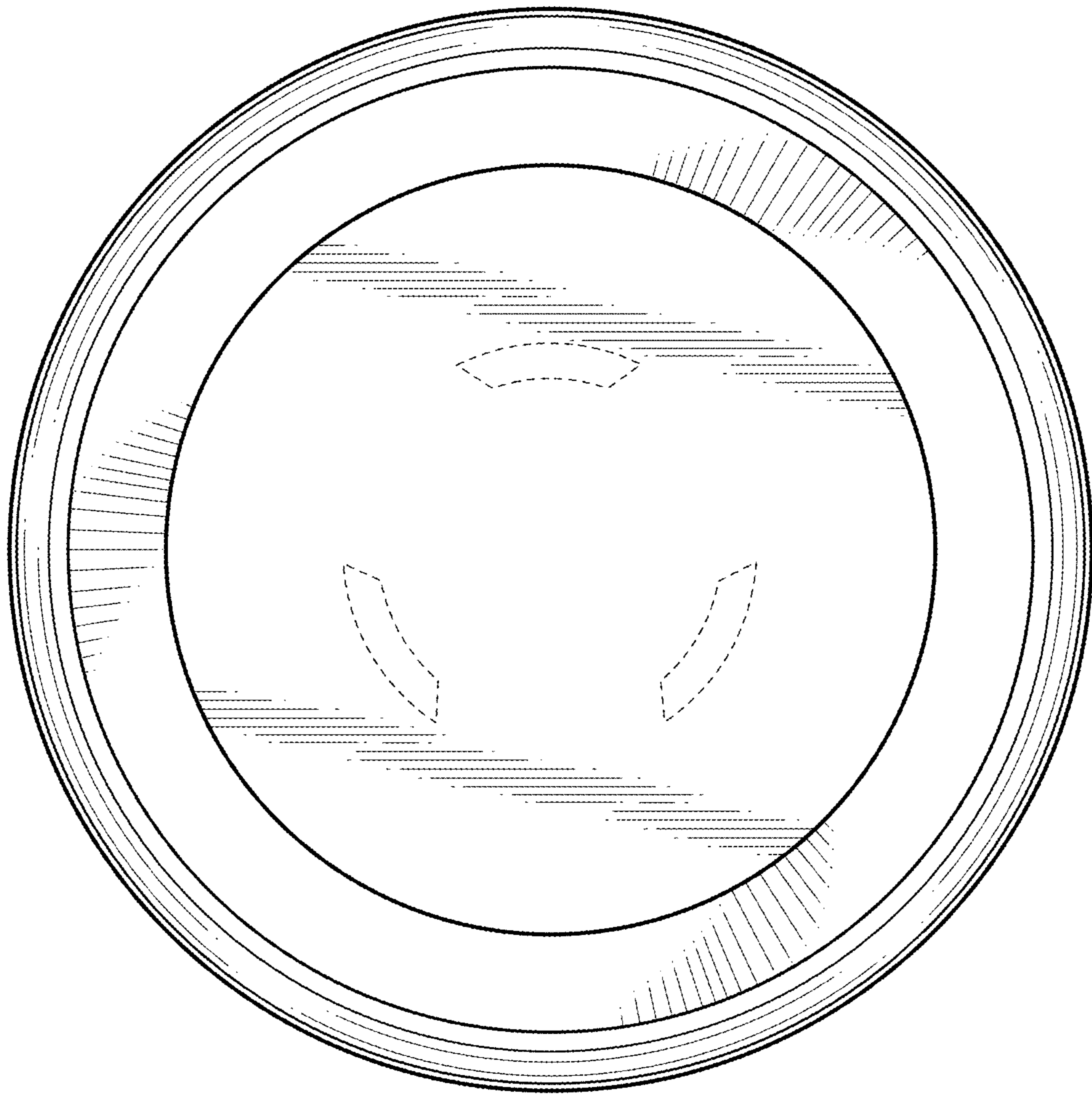
**FIG. 1**



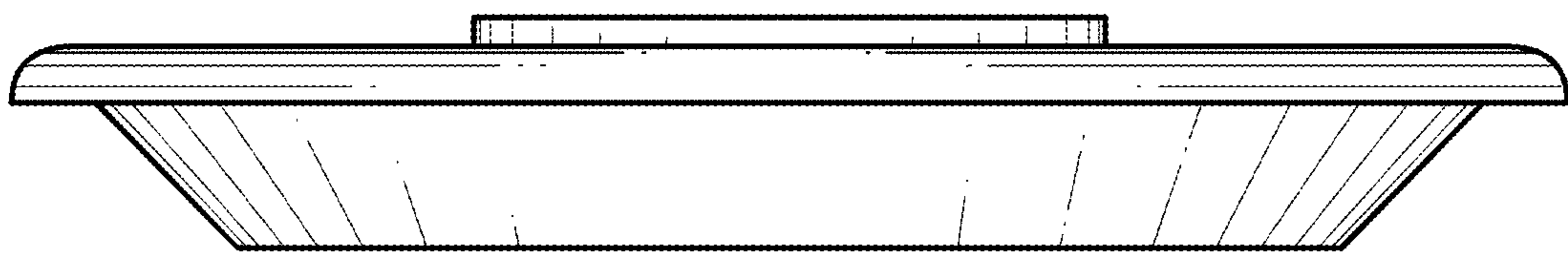
**FIG. 2**



**FIG. 3**



**FIG. 4**



**FIG. 5**