



US00D935109S

(12) **United States Design Patent** (10) **Patent No.:** **US D935,109 S**
Touchton et al. (45) **Date of Patent:** **** Nov. 2, 2021**

(54) **CONTAINER DEVICE**
(71) Applicant: **WEAVER LEATHER, LLC**, Mt. Hope, OH (US)
(72) Inventors: **Dustin Scott Touchton**, Walnut, CA (US); **Jorge Luis Garcia**, Chula Vista, CA (US)
(73) Assignee: **WEAVER LEATHER, LLC**, Chicago, IL (US)
(**) Term: **15 Years**
(21) Appl. No.: **29/689,846**
(22) Filed: **May 2, 2019**
(51) **LOC (13) Cl.** **30-03**
(52) **U.S. Cl.**
USPC **D30/129; D30/121; D32/53**
(58) **Field of Classification Search**
USPC D30/121, 129, 130, 131, 132, 133, 162, D30/199; D32/53, 53.1, 54, 55, 56, 58, D32/59, 67, 74; D23/212, 249, 255; D8/10; D7/398, 399, 401.1
CPC A01K 5/00; A01K 5/0121; A01K 5/0135; A01K 7/005
See application file for complete search history.

(56) **References Cited**
U.S. PATENT DOCUMENTS
D227,148 S * 6/1973 Oas D32/53
D268,158 S * 3/1983 Doyel D10/46.3
D270,961 S * 10/1983 Hawkins D32/53
4,436,217 A * 3/1984 Ritter B44D 3/123
206/361
D286,096 S * 10/1986 Jaros D32/53.1
D289,456 S * 4/1987 Florentino D32/53.1
D297,476 S * 8/1988 Ross D32/53.1
D322,697 S * 12/1991 Nguyen D32/56
D396,914 S * 8/1998 Pepper D32/53
D417,051 S * 11/1999 Dickinson D32/53

D527,506 S * 8/2006 Camp, Jr. D32/53
D537,996 S * 3/2007 Lundy D32/53.1
D546,519 S * 7/2007 McCollam D32/74
D571,969 S * 6/2008 Byers D32/53.1
D602,651 S * 10/2009 Modi D30/129
D630,394 S * 1/2011 Bergman D32/54
D641,116 S * 7/2011 Jones D32/53
D658,818 S * 5/2012 Lipscomb D30/132
(Continued)

OTHER PUBLICATIONS

“Amazon Weaver Leather Large Round Feed Pan” available Mar. 29, 2019, [online], [site visited Jan. 25, 2021]. Retrieved from Internet, URL: <https://www.amazon.com/Weaver-Leather-Large-Round-Feed/dp/B07SSVLMXG?th=1> (Year: 2019).*
(Continued)

Primary Examiner — Michael C Stout
Assistant Examiner — Katrina N Gonzalez
(74) *Attorney, Agent, or Firm* — McDonald Hopkins LLC

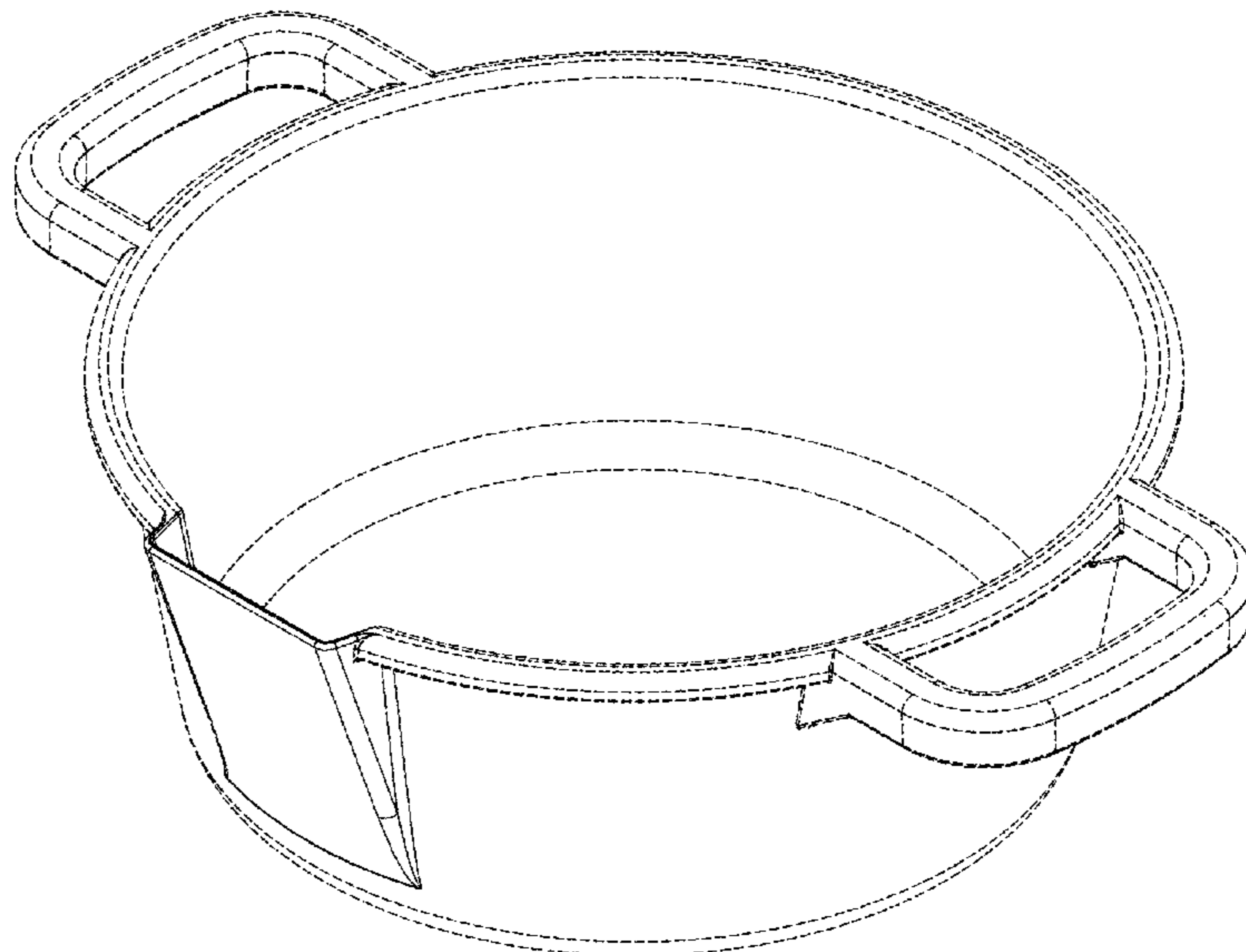
(57) **CLAIM**

The ornamental design for a container device, as shown and described.

DESCRIPTION

FIG. 1 is a top perspective view of a container device showing our new design;
FIG. 2 is a bottom perspective view of FIG. 1 thereof;
FIG. 3 is a top view of FIG. 1 thereof;
FIG. 4 is a front view of FIG. 1 thereof;
FIG. 5 is a rear view of FIG. 1 thereof;
FIG. 6 is a first side view of FIG. 1 thereof;
FIG. 7 is a second side view of FIG. 1 thereof; and,
FIG. 8 is a bottom view of FIG. 1.
The broken lines in the figures are included for the purpose of illustrating portions of a container device and form no part of the claimed design.

1 Claim, 8 Drawing Sheets



(56)

References Cited

U.S. PATENT DOCUMENTS

D762,033 S * 7/2016 Gooden D32/53
D855,264 S * 7/2019 Myerson D30/199
D876,742 S * 2/2020 Pollard D32/54
D902,970 S * 11/2020 McCormick D15/150
2012/0024872 A1 * 2/2012 Boal B44D 3/12
220/729

OTHER PUBLICATIONS

“Large Round Feed Pan Weaver Leather” available Jan. 25, 2021,
[online], [site visited Jan. 25, 2021]. Retrieved from Internet, URL:
https://www.valleyvet.com/ct_detail.html (Year: 2021).*

* cited by examiner

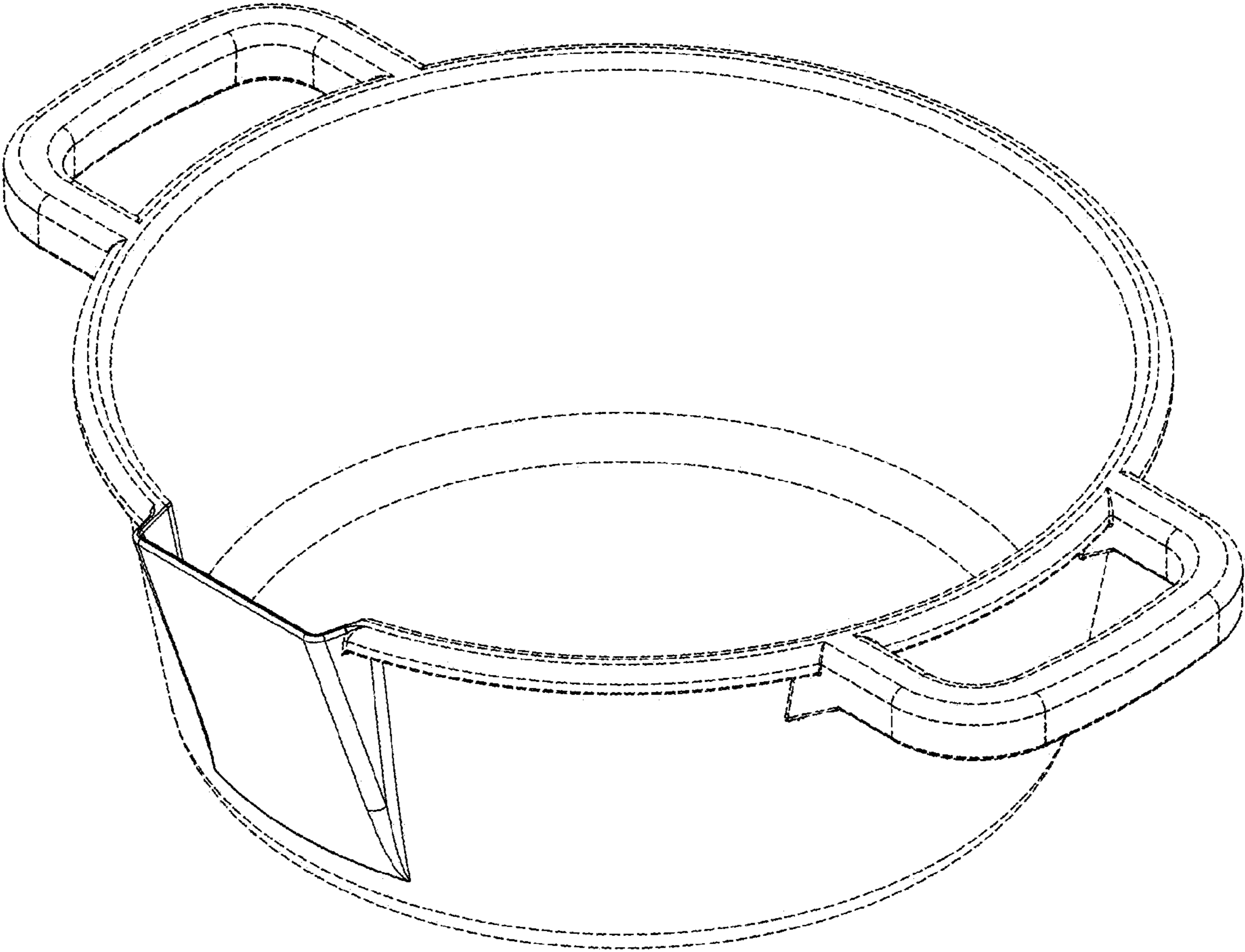


FIGURE 1

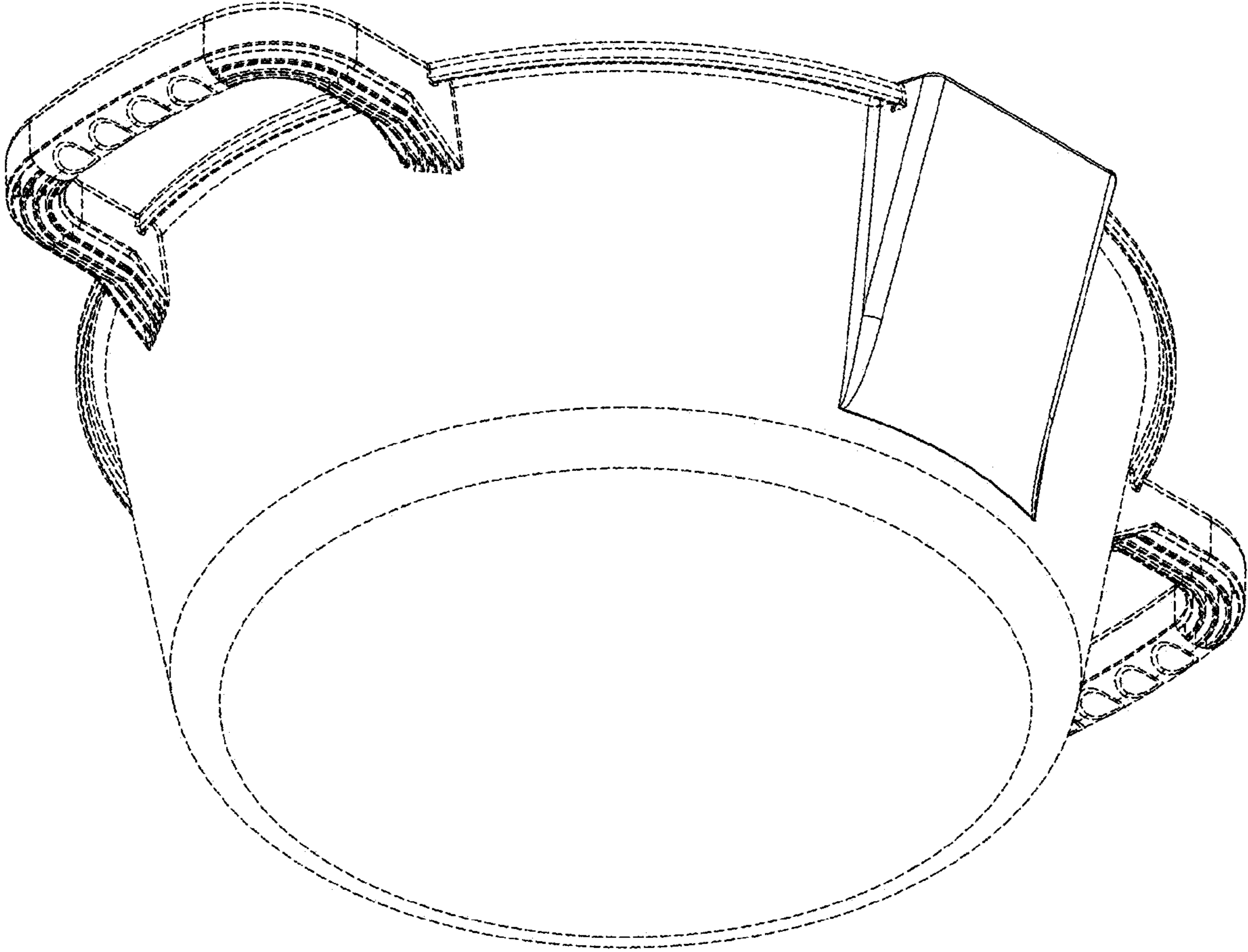


FIGURE 2

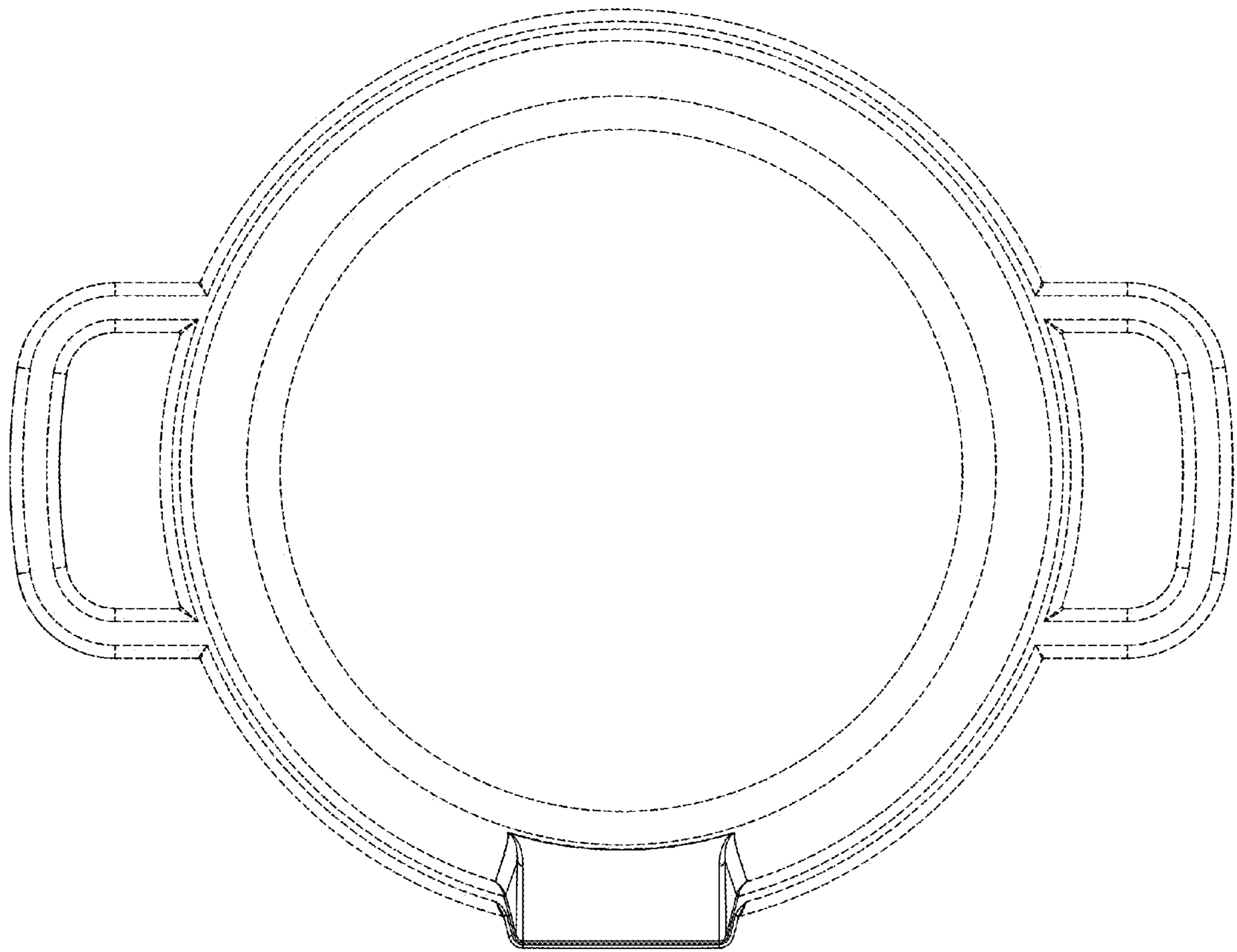


FIGURE 3

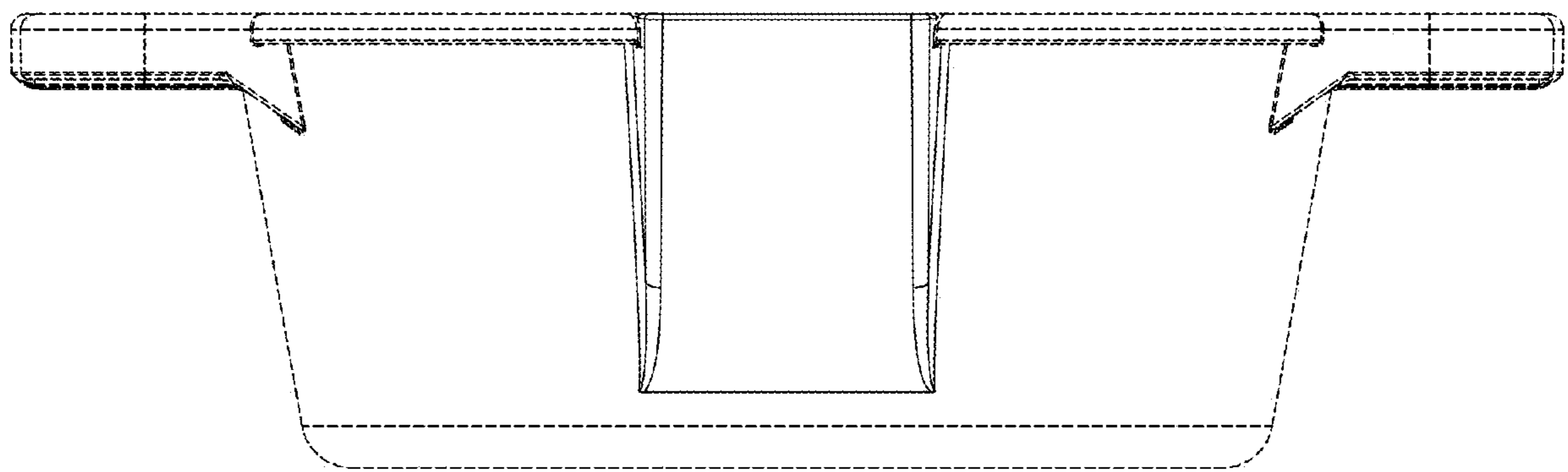


FIGURE 4

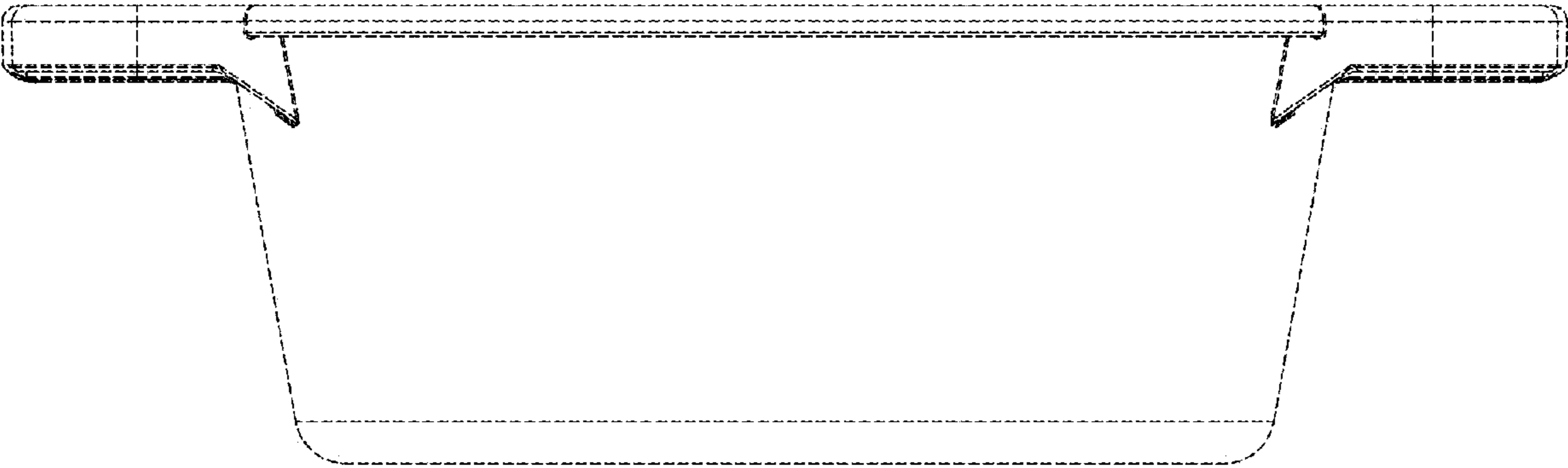


FIGURE 5

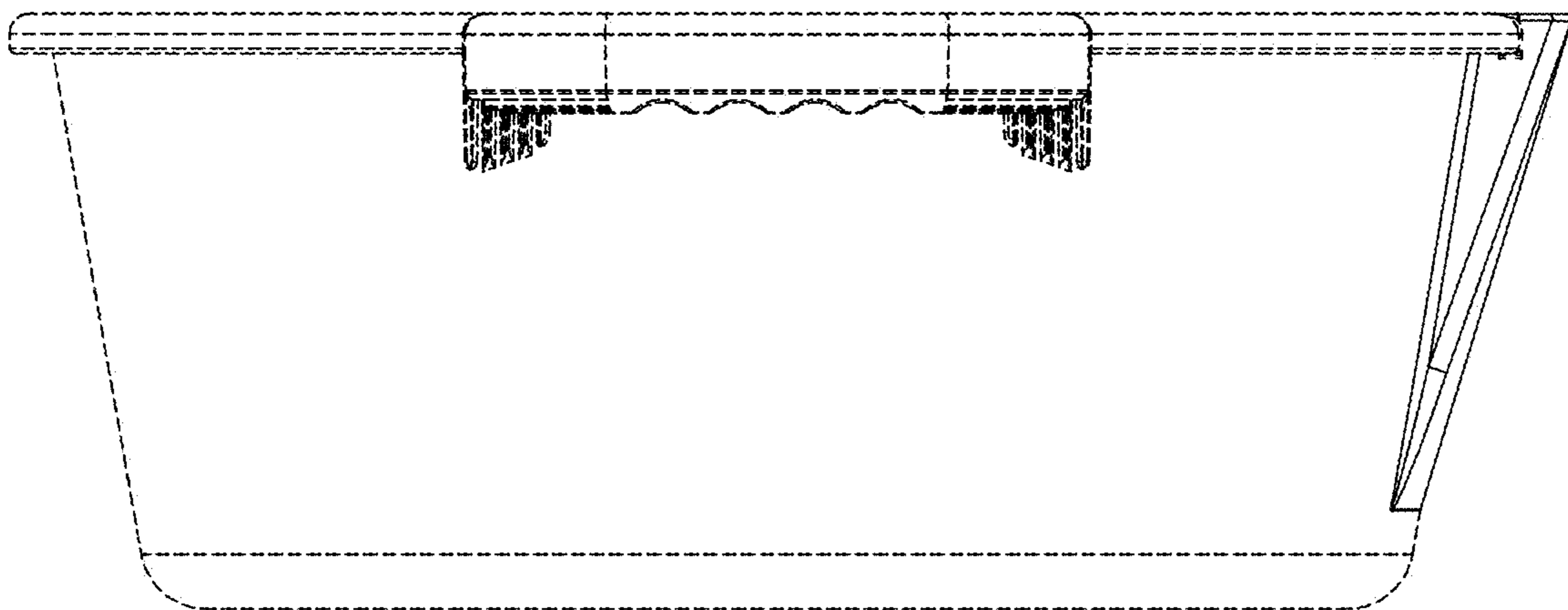


FIGURE 6

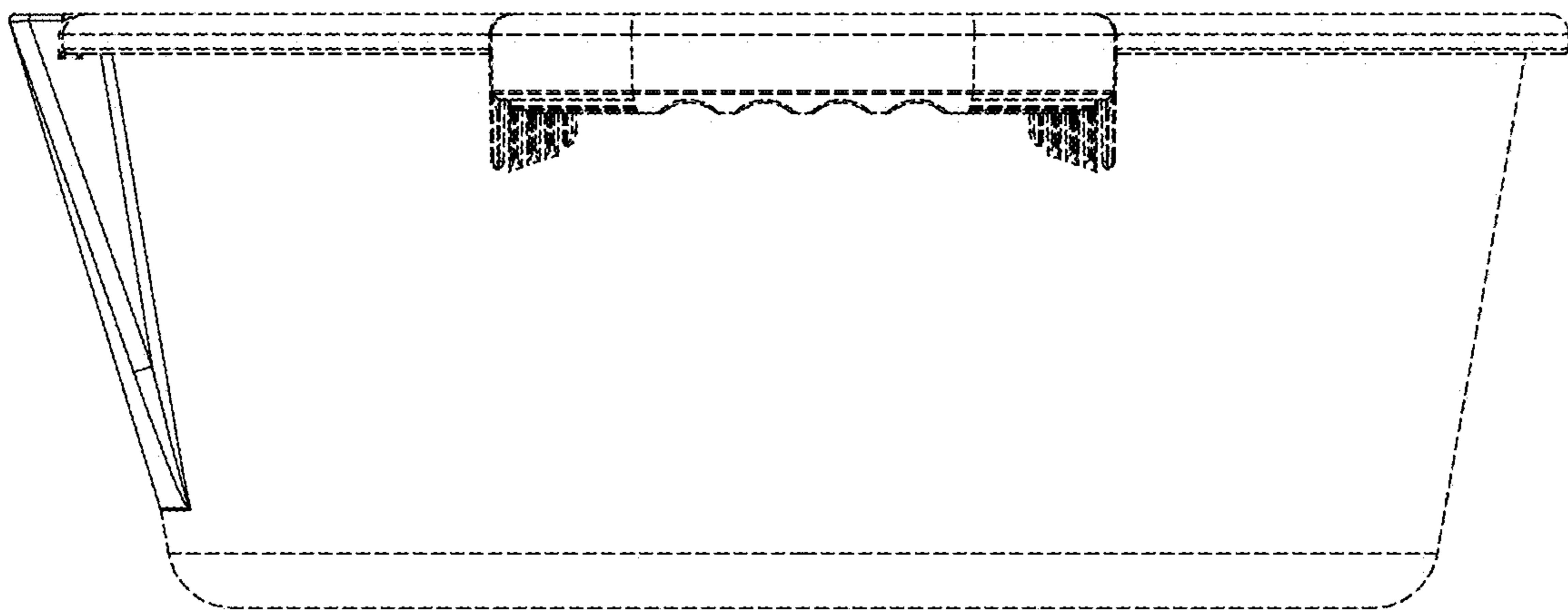


FIGURE 7

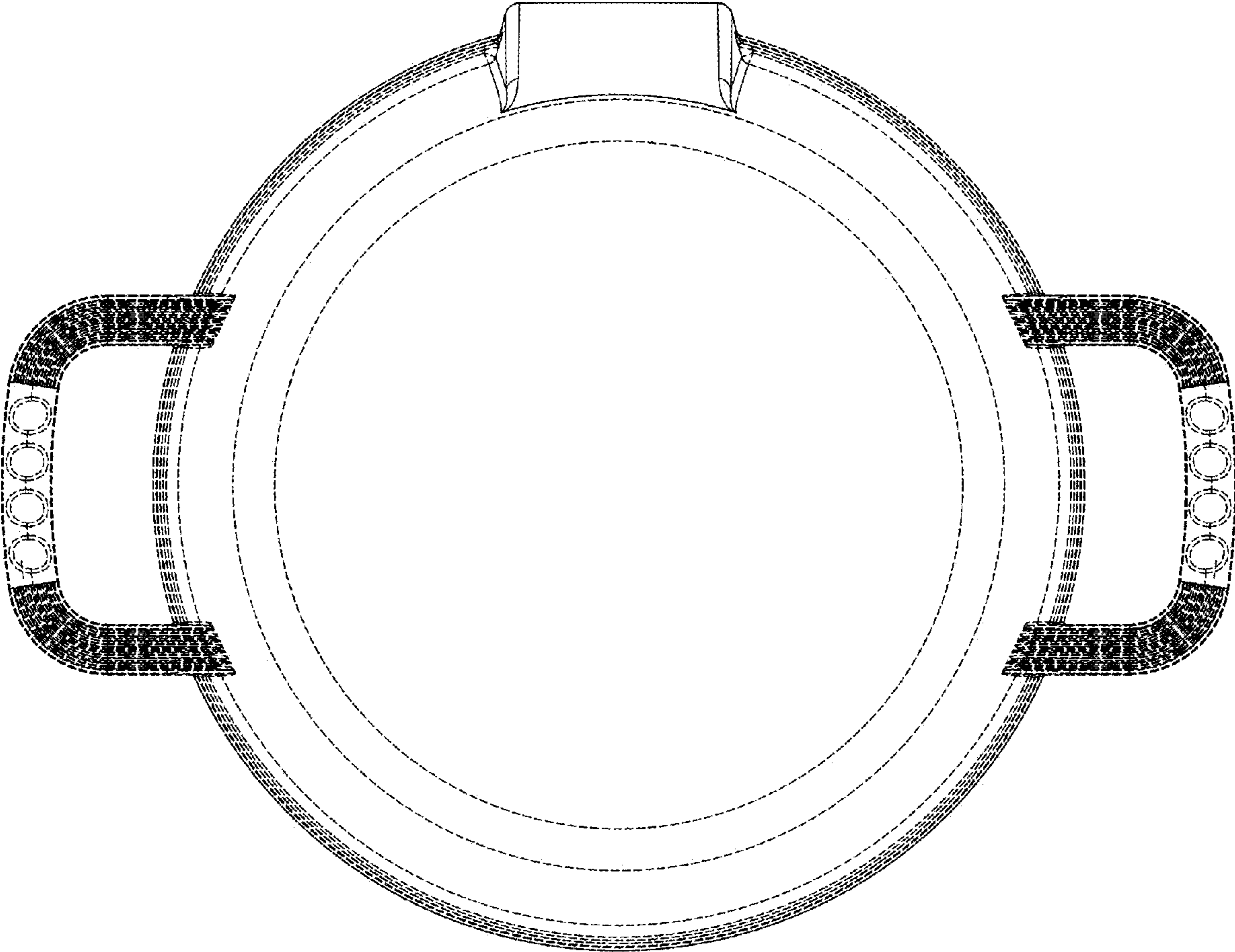


FIGURE 8