



US00D935107S

(12) **United States Design Patent** (10) **Patent No.:** **US D935,107 S**
Chen (45) **Date of Patent:** **** Nov. 2, 2021**

- (54) **AUTOMATIC FISH FEEDER**
- (71) Applicant: **Guangzhou Chiye Intelligent Technology Co., LTD.,** Guangzhou (CN)
- (72) Inventor: **Jilin Chen,** Guangzhou (CN)
- (**) Term: **15 Years**
- (21) Appl. No.: **29/768,730**
- (22) Filed: **Feb. 1, 2021**
- (51) **LOC (13) Cl.** **30-02**
- (52) **U.S. Cl.**
USPC **D30/106; D30/122**
- (58) **Field of Classification Search**
USPC D30/101-102, 106, 121-122, 199
CPC A01K 61/80; A01K 61/85; A01K 61/10; Y02A 40/81
See application file for complete search history.

(56) **References Cited**

U.S. PATENT DOCUMENTS

D287,170 S *	12/1986	Goldman	D30/122
D312,149 S *	11/1990	Keil	D30/106
D313,093 S *	12/1990	Tanaka	D30/106
D383,251 S	9/1997	Zimmerman		
D423,728 S *	4/2000	Brainard	D30/106
6,694,917 B1 *	2/2004	Wang	A01K 61/85 119/51.11
D487,535 S *	3/2004	Wang	D30/122
D561,406 S *	2/2008	Mayer	D30/106
D612,549 S	3/2010	Garcia-Lucio		
D622,450 S	8/2010	Beyers		
8,336,492 B1 *	12/2012	Barley	A01K 61/80 119/51.04
D704,387 S	5/2014	Shepland		
D814,710 S	4/2018	Watson		
D852,430 S	6/2019	Roger		
10,653,110 B2 *	5/2020	Pfeiff	A01K 61/80
D887,086 S	6/2020	Huang		

D907,303 S	1/2021	Wei		
2006/0207511 A1 *	9/2006	Deng	A01K 61/85 119/51.04
2012/0227670 A1 *	9/2012	Hudson	A01K 61/85 119/51.04

(Continued)

OTHER PUBLICATIONS

Proche Automatic Fish Feeder Intelligent Fish/Turtle/Goldfish Feeder for Aquarium & Fish Tank | 4 Times | Intelligent Timer Fish Food Dispenser for Trips, Weekend & Vacation. First available Aug. 23, 2017, amazon.com, [online], [site visited Aug. 27, 2021], available from internet URL: https://www.amazon.com/Automatic-PROCHE-Adjustable-Dispenser-Batteries/dp/B0752G6TF4/ref=asc_df_B0752G6TF4/?tag=hyprod-20&linkCode... (Year 2017).*

(Continued)

Primary Examiner — Wan Laymon

(74) Attorney, Agent, or Firm — Rumit Ranjit Kanakia

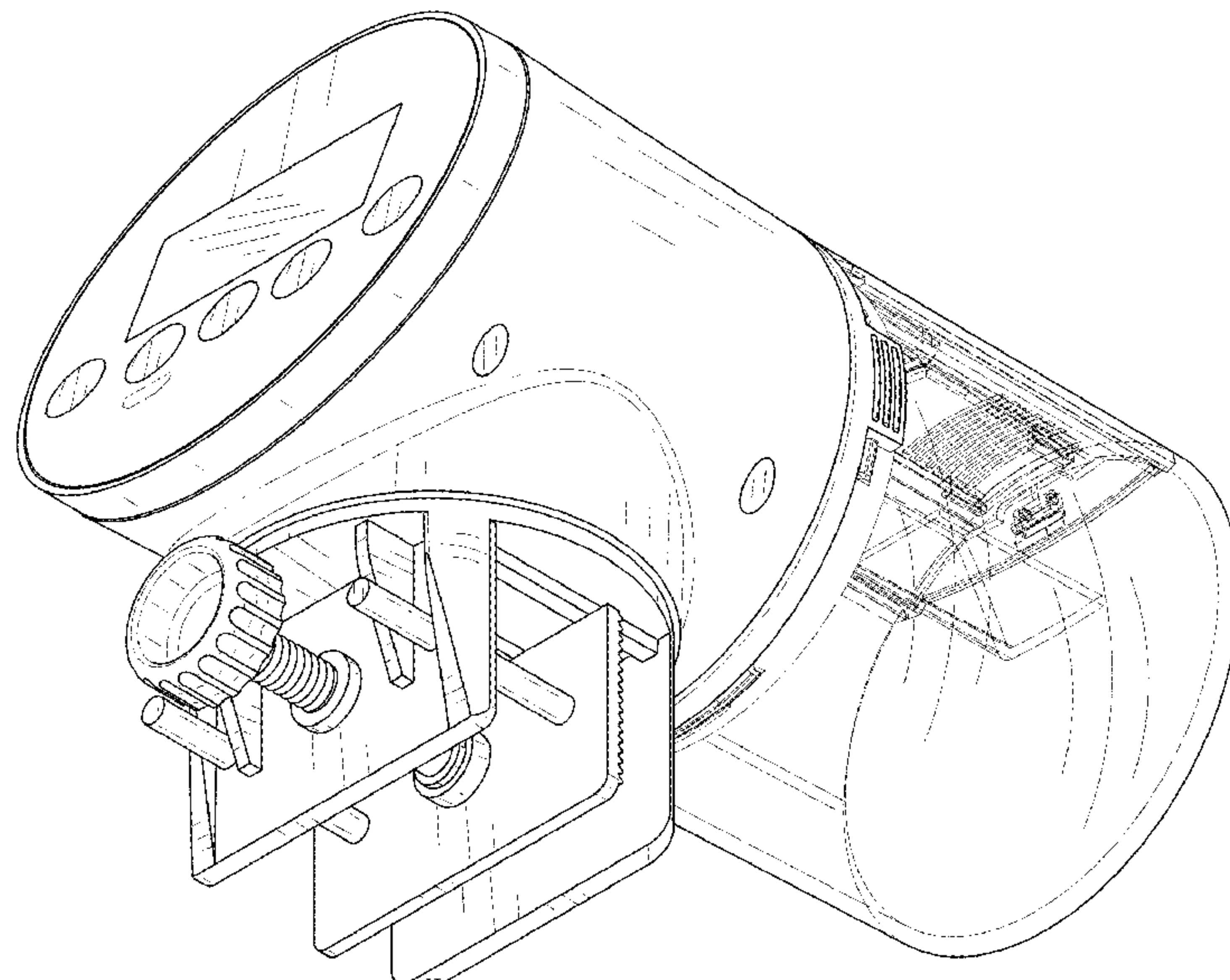
(57) **CLAIM**

The ornamental design for a automatic fish feeder, as shown and described.

DESCRIPTION

FIG. 1 is a front view of a automatic fish feeder showing my new design;
FIG. 2 is a rear view thereof;
FIG. 3 is a left side view thereof;
FIG. 4 is a right side view thereof;
FIG. 5 is a top view thereof;
FIG. 6 is a bottom view thereof;
FIG. 7 is a perspective view of a automatic fish feeder showing my new design; and,
FIG. 8 is another perspective view thereof.
The broken lines in the figures are for the purposes of illustrating portions of the automatic fish feeder, which form no part of the claimed design.

1 Claim, 8 Drawing Sheets



(56)

References Cited

U.S. PATENT DOCUMENTS

2019/0110448 A1* 4/2019 Wallmeier A01K 61/85

OTHER PUBLICATIONS

FYD Automatic Fish Feeder, Aquarium Auto Fish Feeder Food Timer Dispenser for Small Fish Tank, Vacation, Holidays. First available Apr. 17, 2021, amazon.com, [online], [site visited Aug. 27, 2021], available from internet URL: <https://www.amazon.com/FYD-Automatic-Aquarium-Dispenser-Vacation/dp/B092SBH7C4>. (Year 2021).*

Zacro Automatic Fish Feeder—Rechargeable Timer Fish Feeder with USB Charger Cable, Fish Food Dispenser for Aquarium or Fish Tank. First available Jan. 14, 2019, amazon.com, [online], [site visited Aug. 27, 2021], available from internet URL: <https://www.amazon.com/Zacro-Automatic-Fish-Feeder-Rechargeable/dp/B07M854WTQ> (Year 2019).*

* cited by examiner

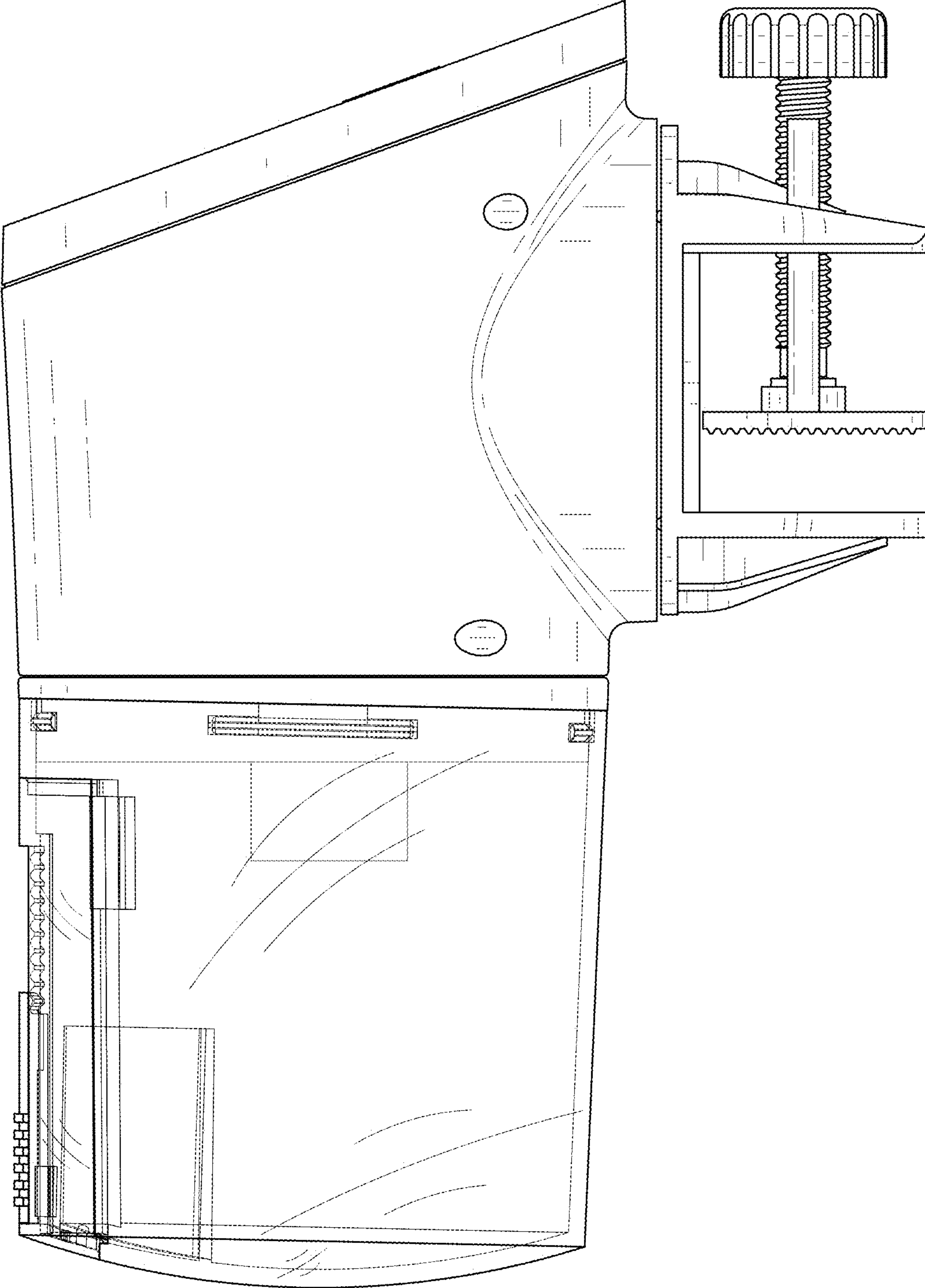


FIG. 1

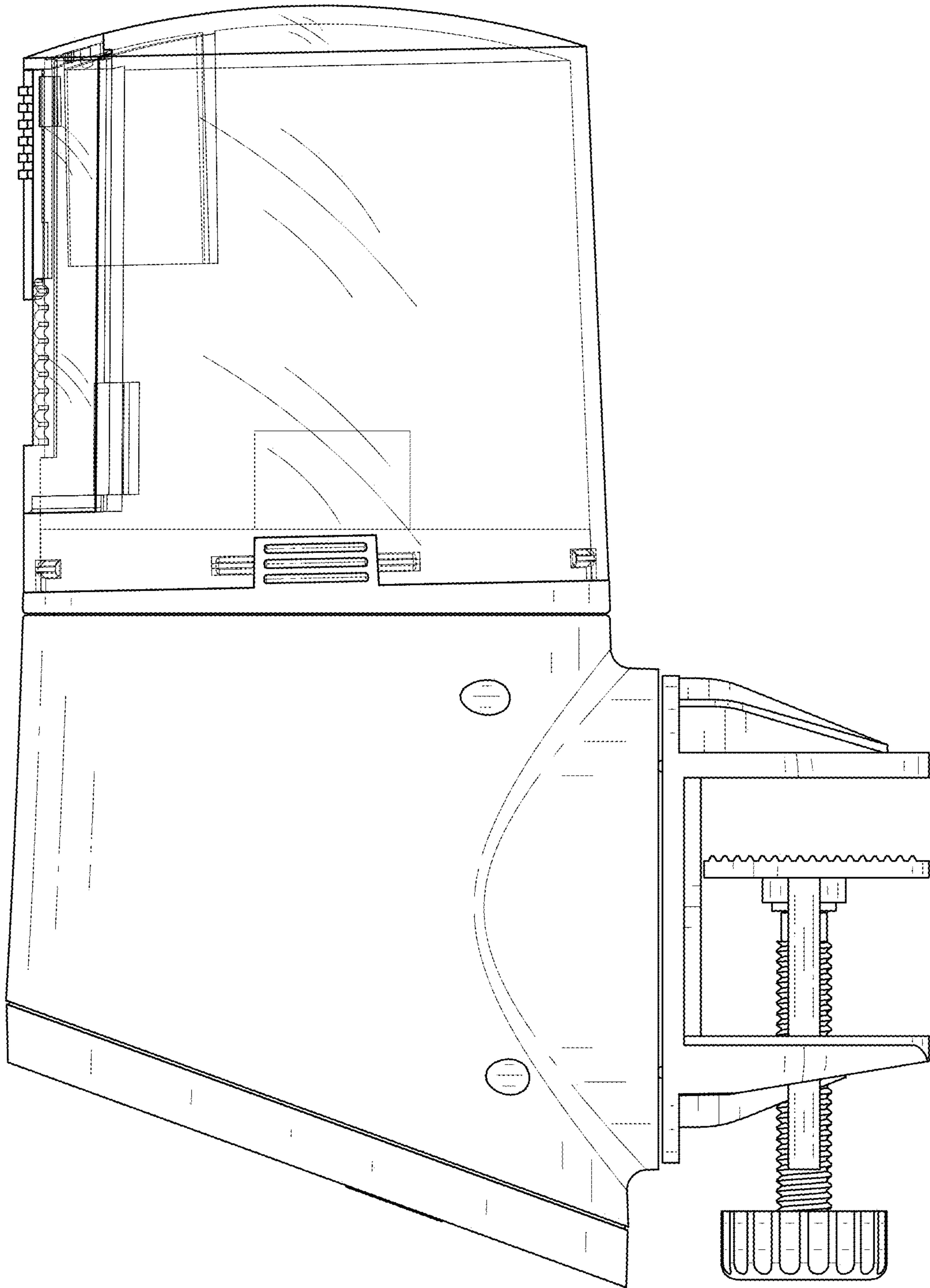


FIG. 2

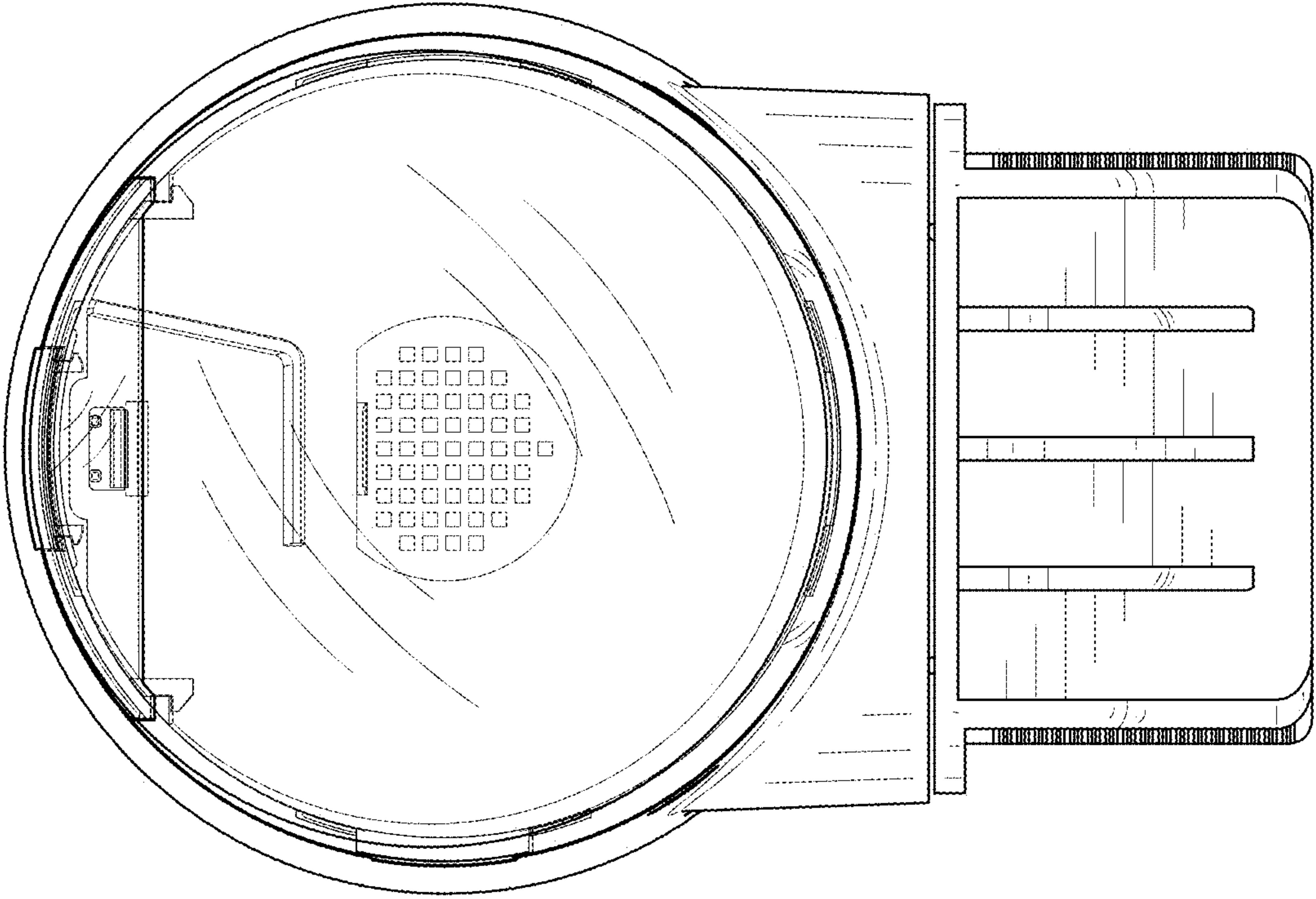


FIG. 3

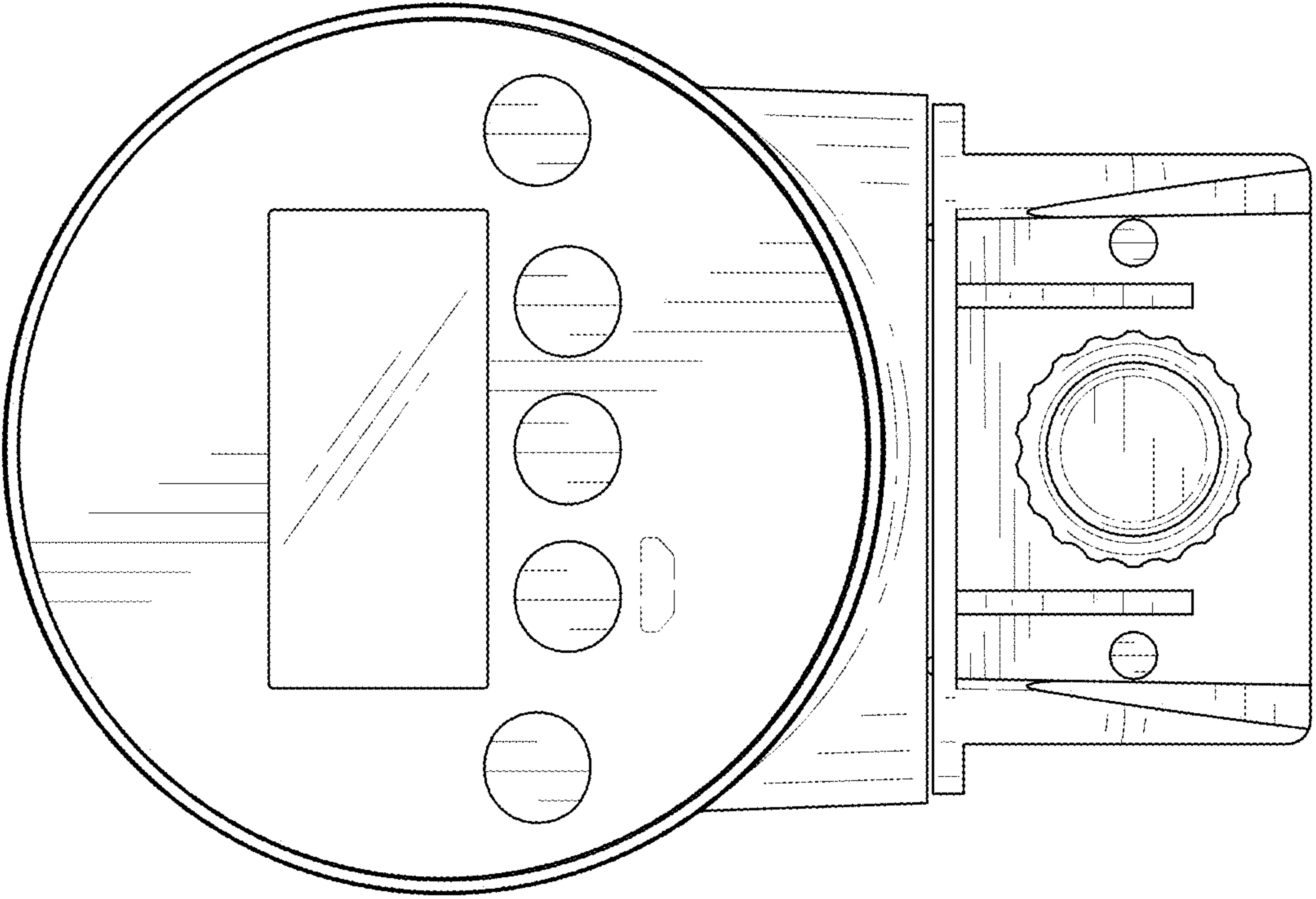


FIG. 4

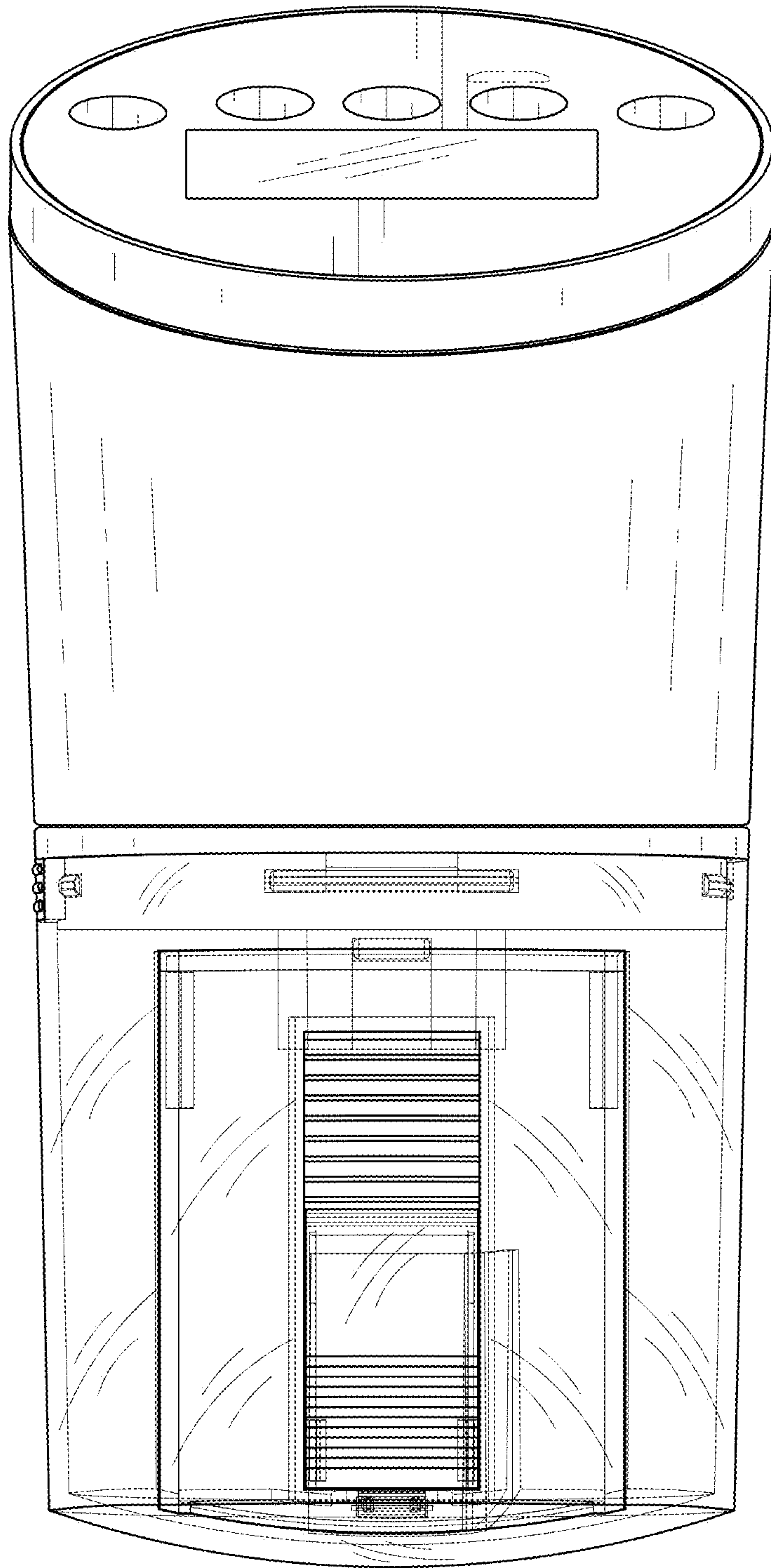


FIG. 5

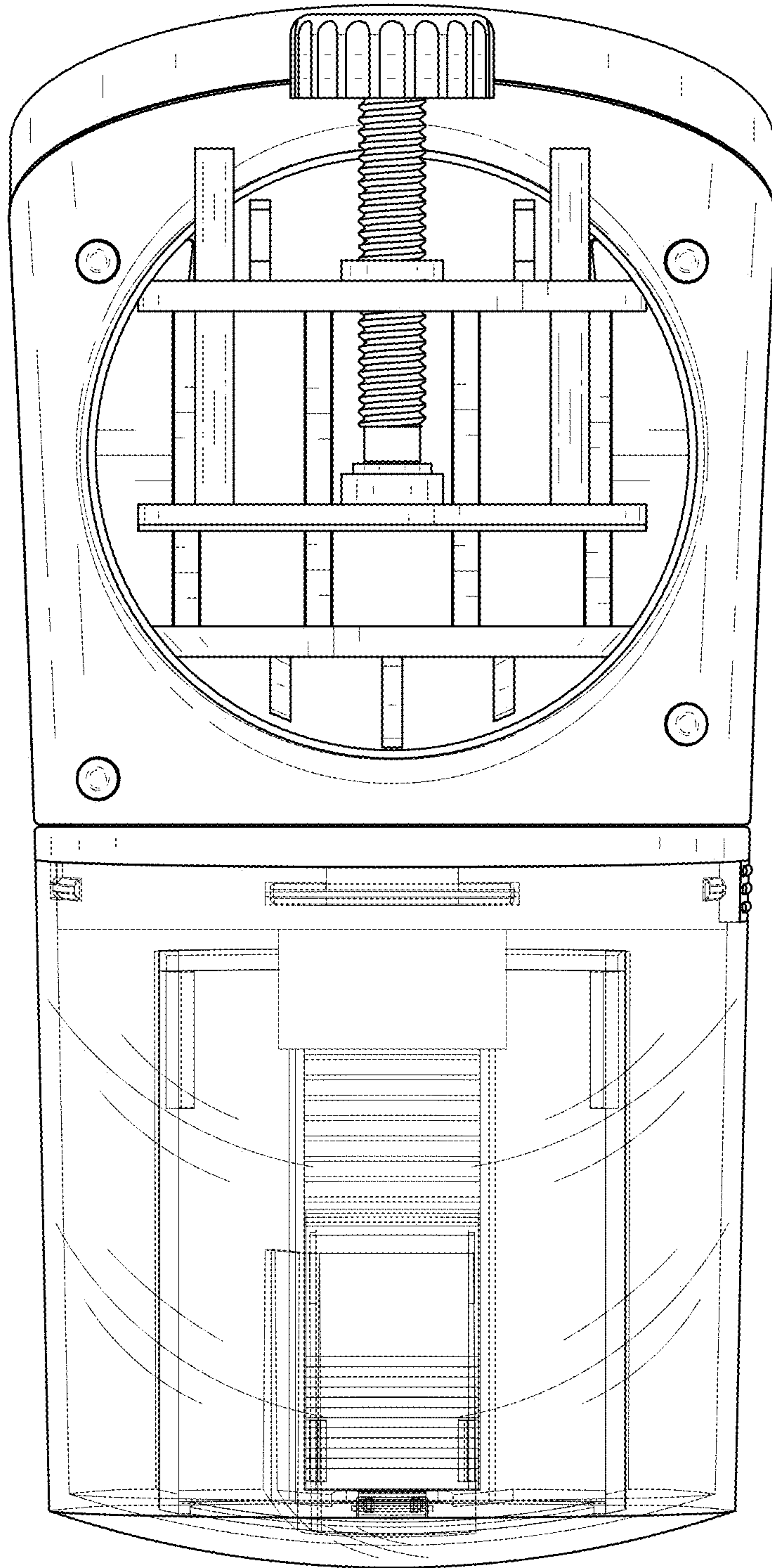


FIG. 6

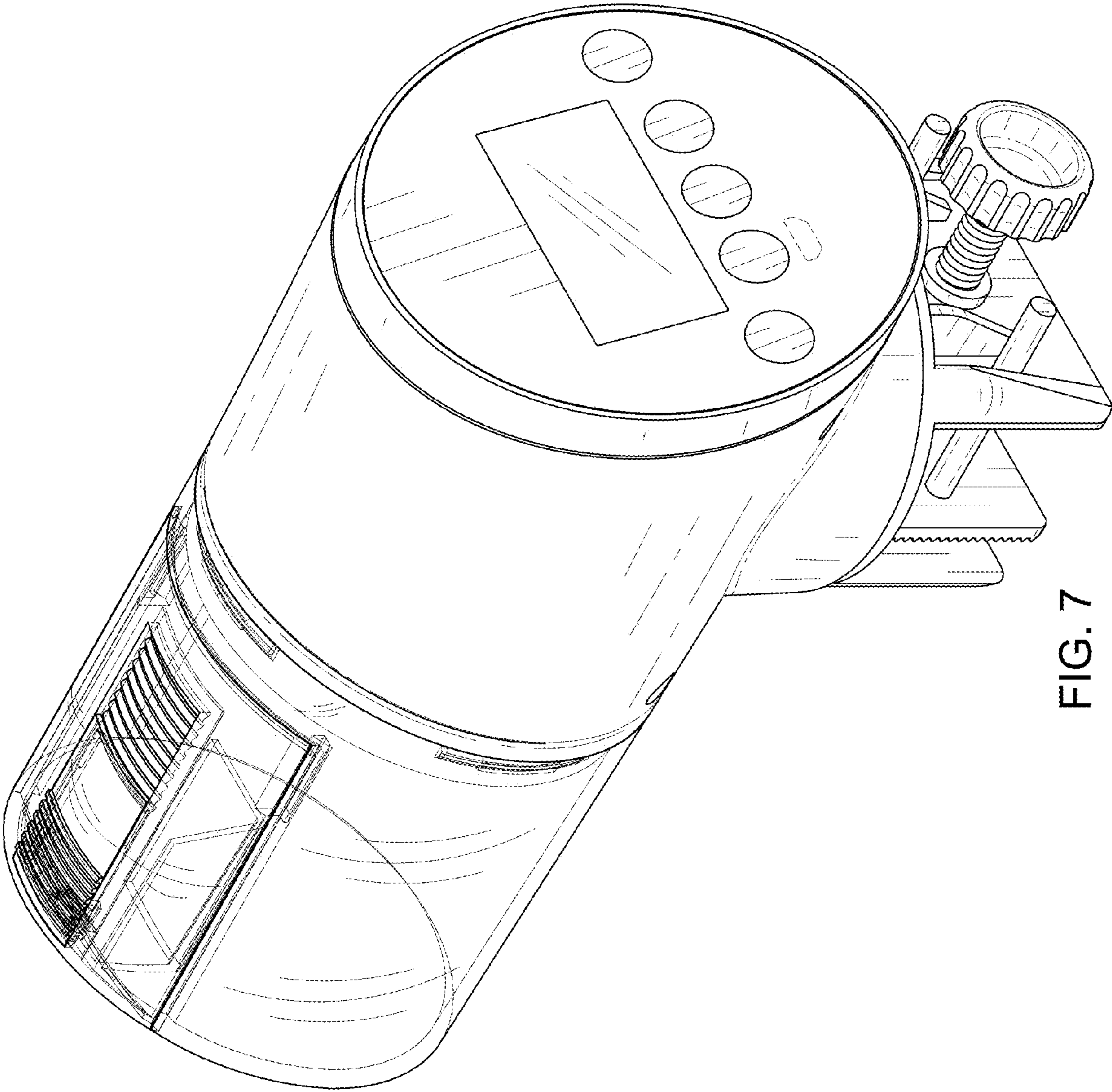


FIG. 7

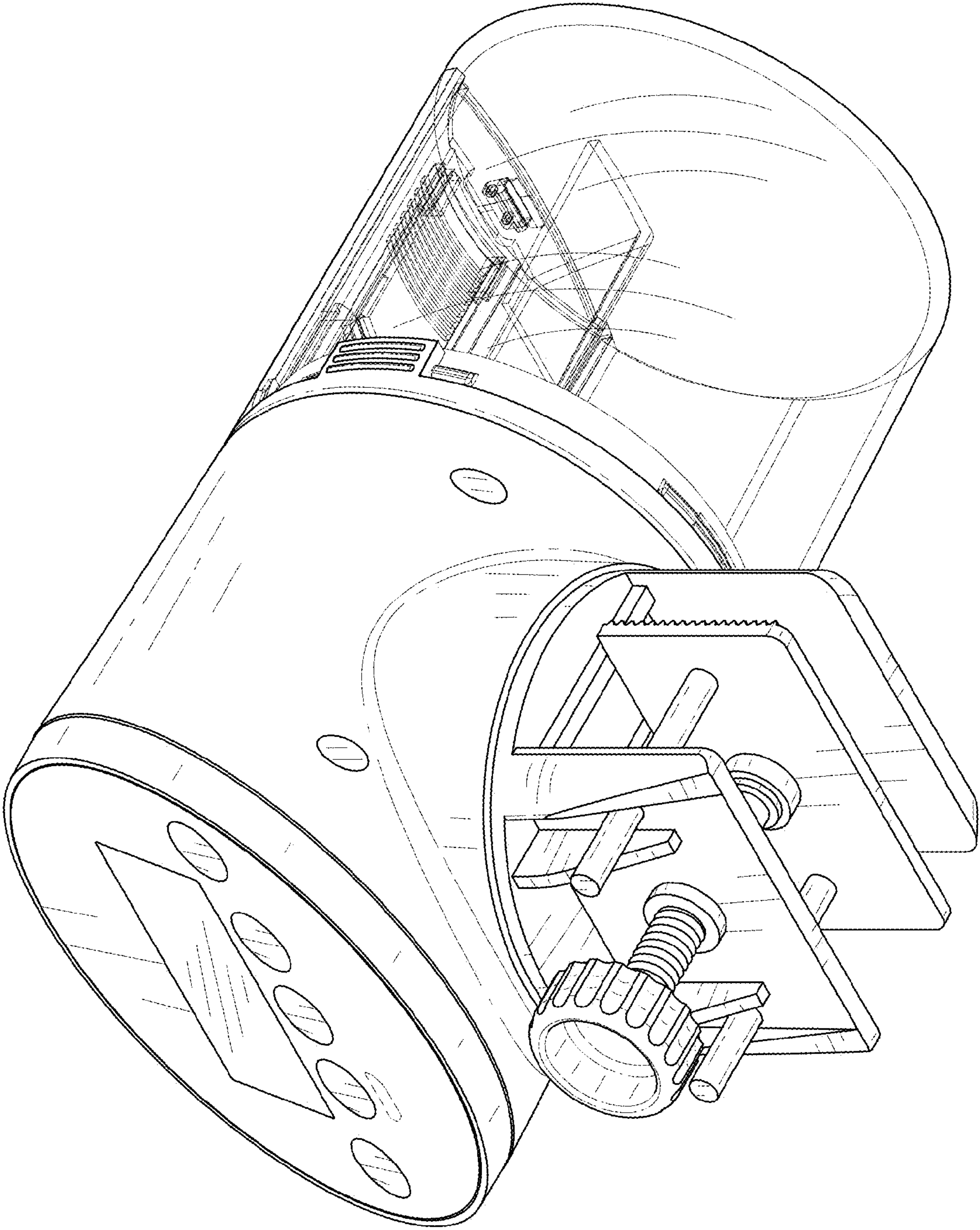


FIG. 8