



US00D935102S

(12) **United States Design Patent**
Du

(10) **Patent No.:** **US D935,102 S**

(45) **Date of Patent:** **** Nov. 2, 2021**

(54) **MIRROR**

(71) Applicant: **Yafeng Du, Jixi (CN)**

(72) Inventor: **Yafeng Du, Jixi (CN)**

(**) Term: **15 Years**

(21) Appl. No.: **29/764,605**

(22) Filed: **Dec. 31, 2020**

(51) **LOC (13) Cl.** **28-03**

(52) **U.S. Cl.**
USPC **D28/64.1; D6/309**

(58) **Field of Classification Search**
USPC D6/300–314; D28/64.1, 64.3, 64.6, 78,
D28/81, 82
CPC A45D 42/04
See application file for complete search history.

(56) **References Cited**

U.S. PATENT DOCUMENTS

D276,470 S *	11/1984	Lo	D28/64.3
D634,477 S *	3/2011	Morabito	D28/82
D685,133 S *	6/2013	Yamamoto	D28/81
D685,525 S *	7/2013	Chou	D28/81
D702,048 S *	4/2014	Fung	D6/309
9,232,846 B2 *	1/2016	Fung	A45D 42/16
D777,984 S *	1/2017	Son	D28/82
D853,736 S *	7/2019	Long	
D878,775 S *	3/2020	Wang	D6/308

D890,433 S *	7/2020	Zhu	D28/64.6
D905,910 S *	12/2020	Yang	D28/64.1
D924,574 S *	7/2021	Wang	D6/306
D924,796 S *	7/2021	Ye	D13/108
D927,783 S *	8/2021	Yang	D28/64.3

FOREIGN PATENT DOCUMENTS

CN 305500992 * 12/2019

* cited by examiner

Primary Examiner — Deanna L Pratt

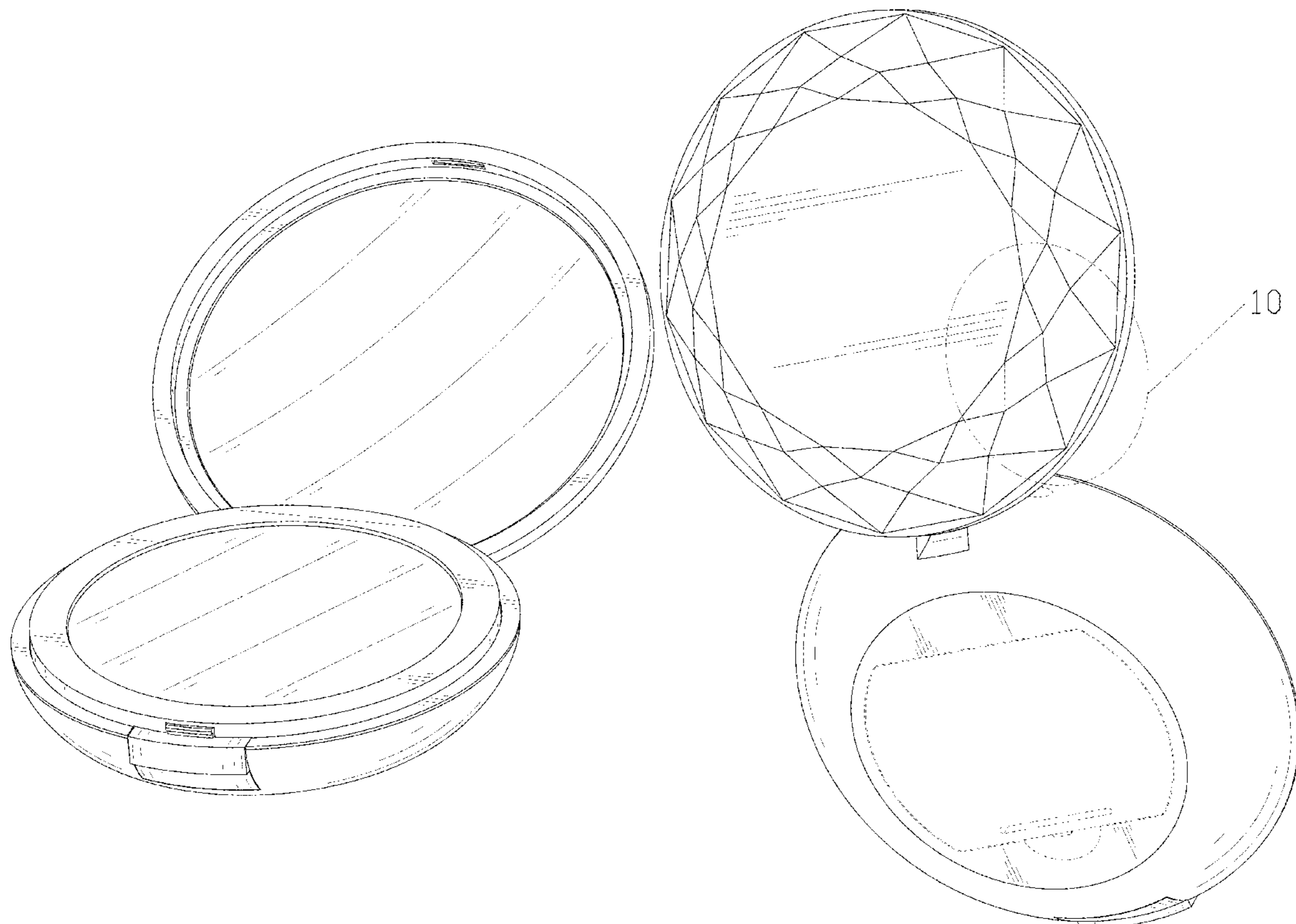
(57) **CLAIM**

The ornamental design for a mirror, as shown and described.

DESCRIPTION

FIG. 1 is a perspective view of a mirror showing my new design;
 FIG. 2 is another perspective view thereof;
 FIG. 3 is a front elevational view thereof;
 FIG. 4 is a rear elevational view thereof;
 FIG. 5 is a left side elevational view thereof;
 FIG. 6 is a right side elevational view thereof;
 FIG. 7 is a top plan view thereof;
 FIG. 8 is a bottom plan view thereof;
 FIG. 9 is a perspective view of the mirror where the mirror is in a closed state; and,
 FIG. 10 is an enlarged view of portion 10 shown in FIG. 2.
 The broken lines in the drawings depict portions of the mirror that form no part of the claimed design.

1 Claim, 10 Drawing Sheets



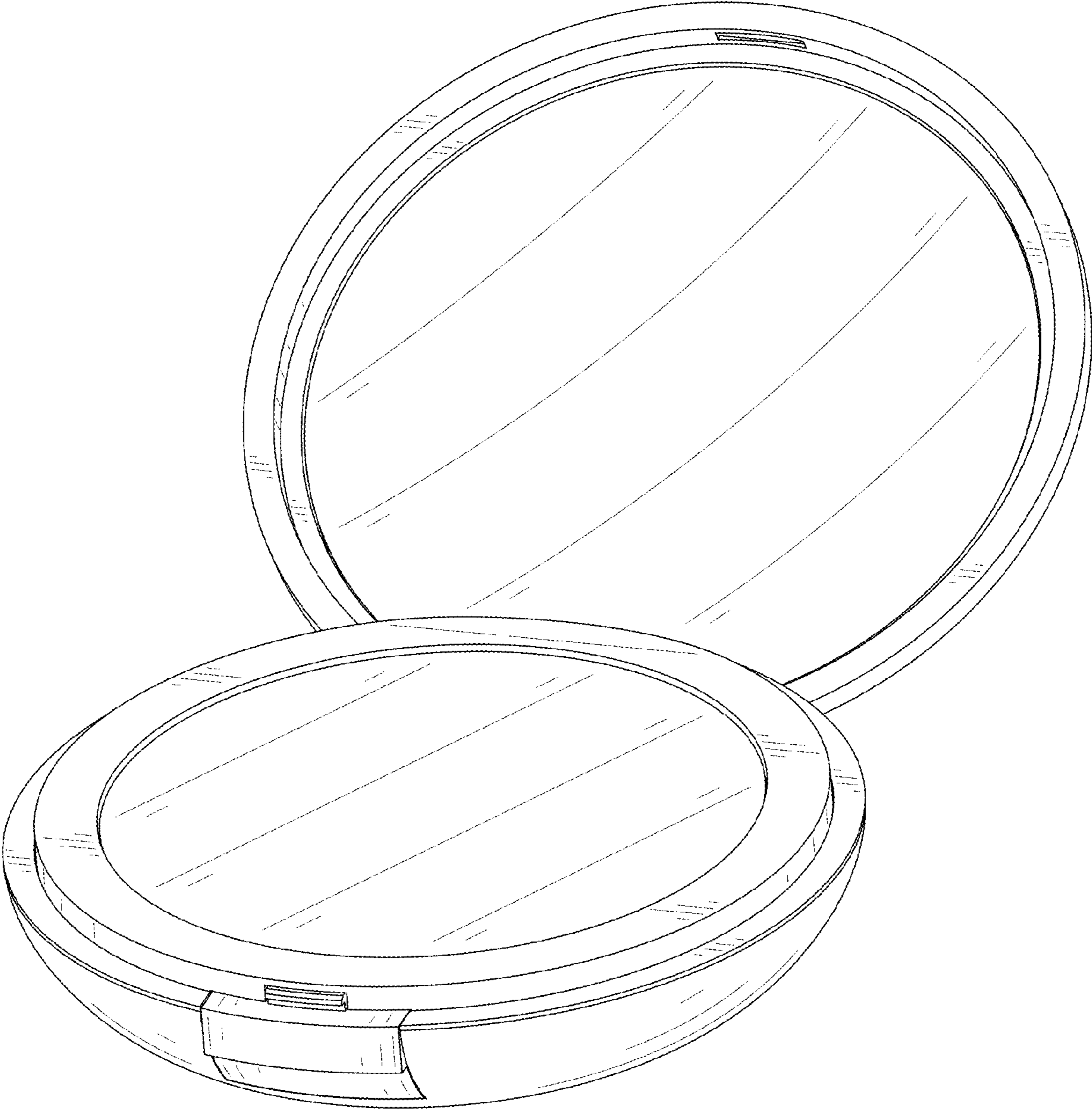


FIG. 1

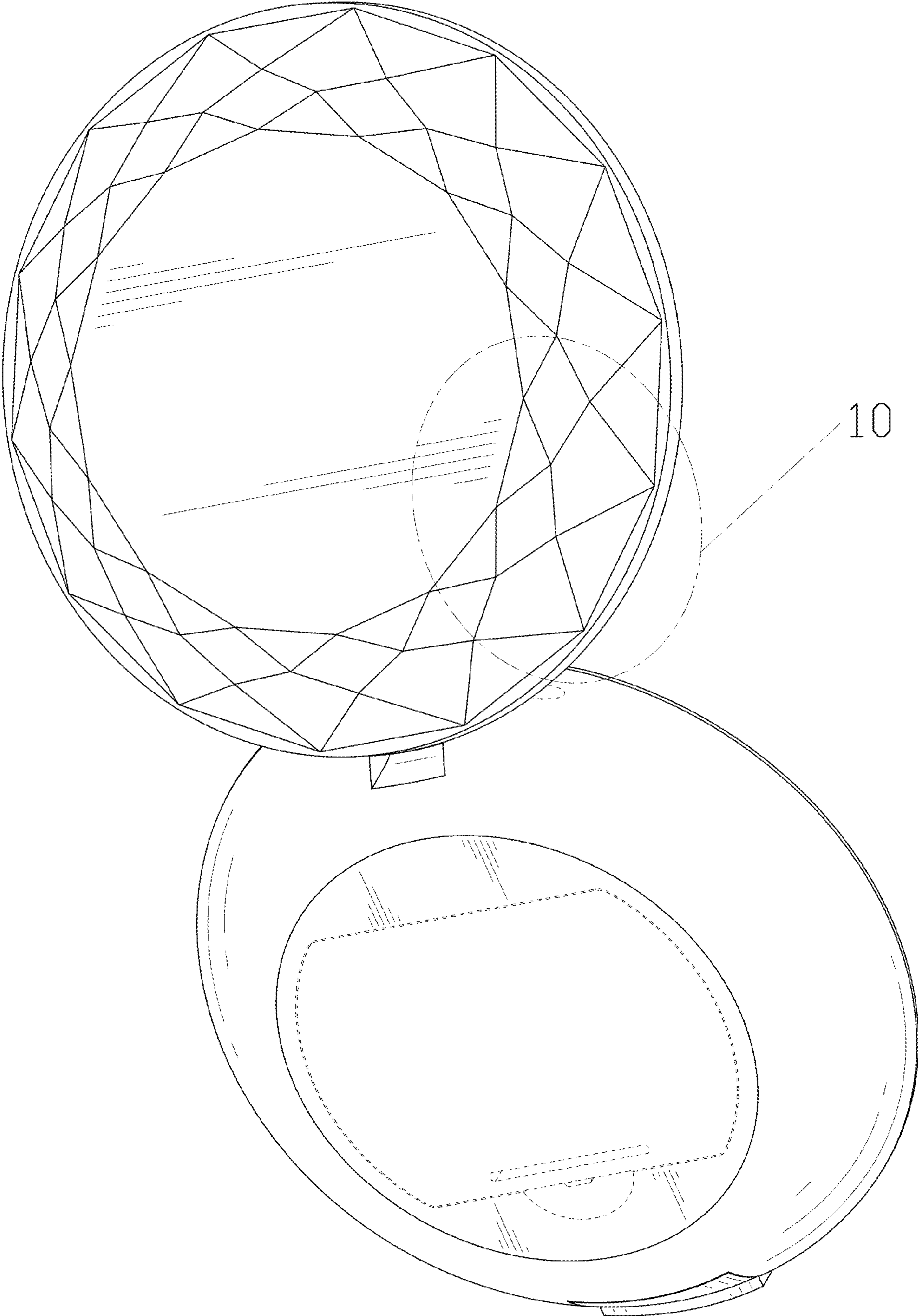


FIG. 2

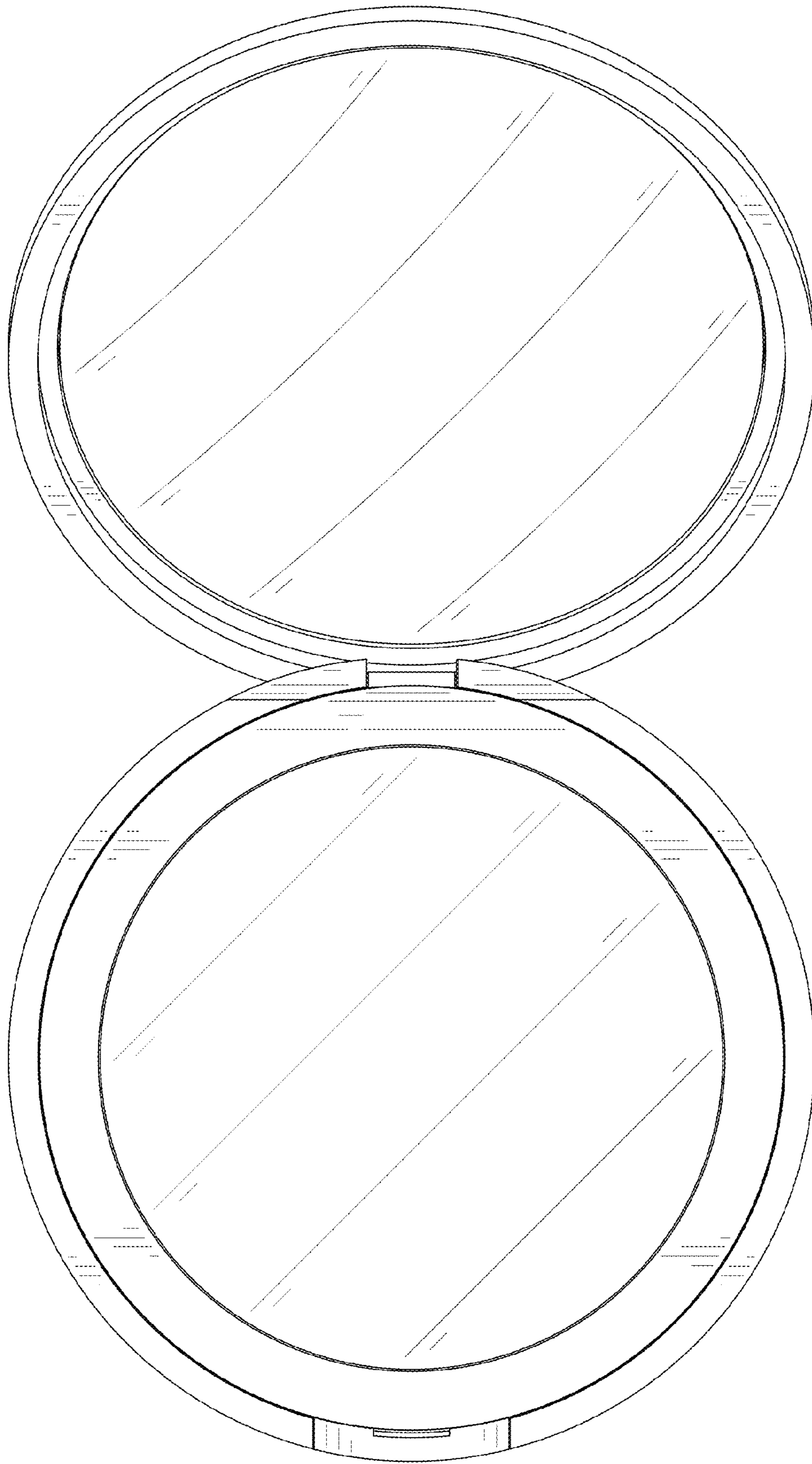


FIG. 3

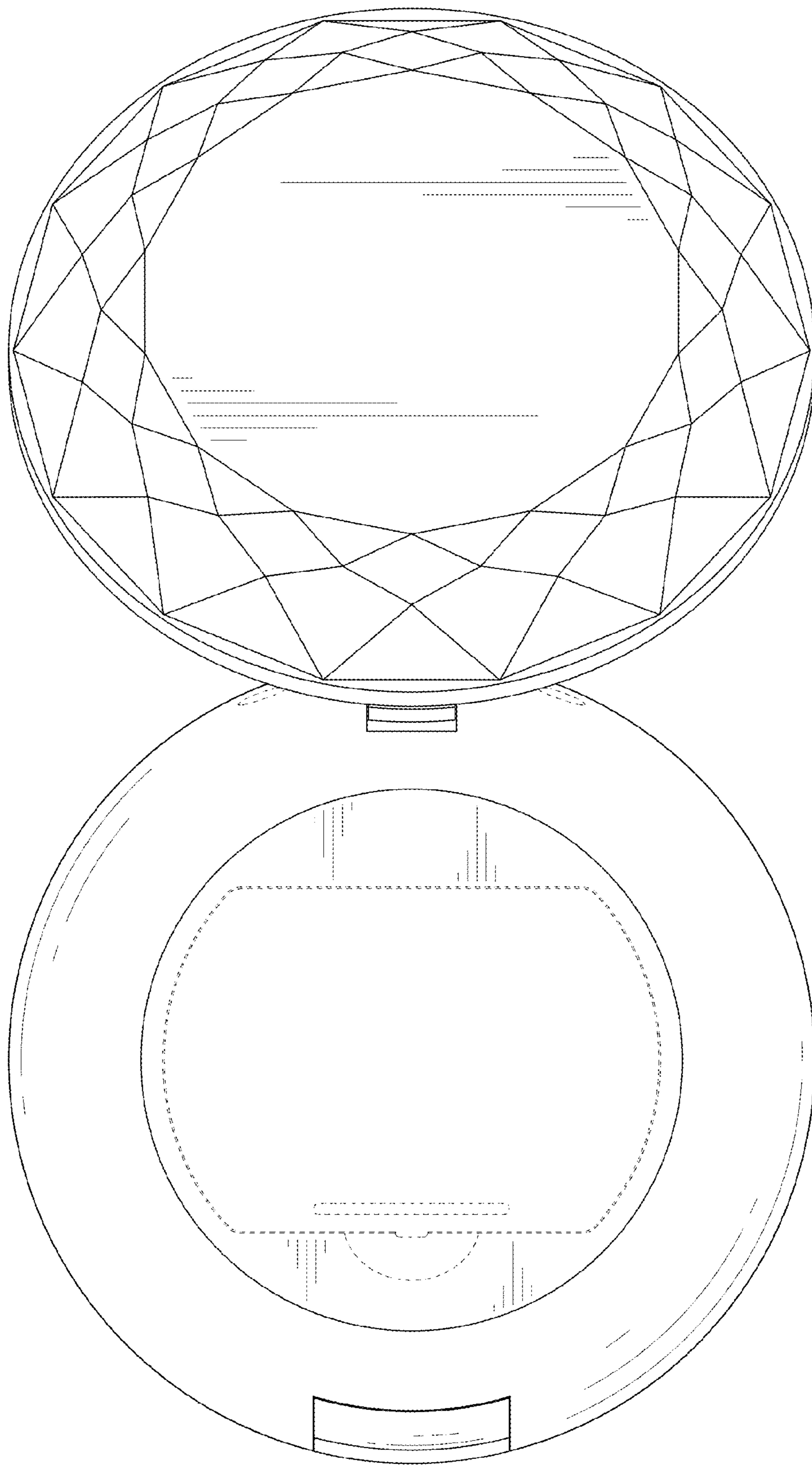


FIG. 4

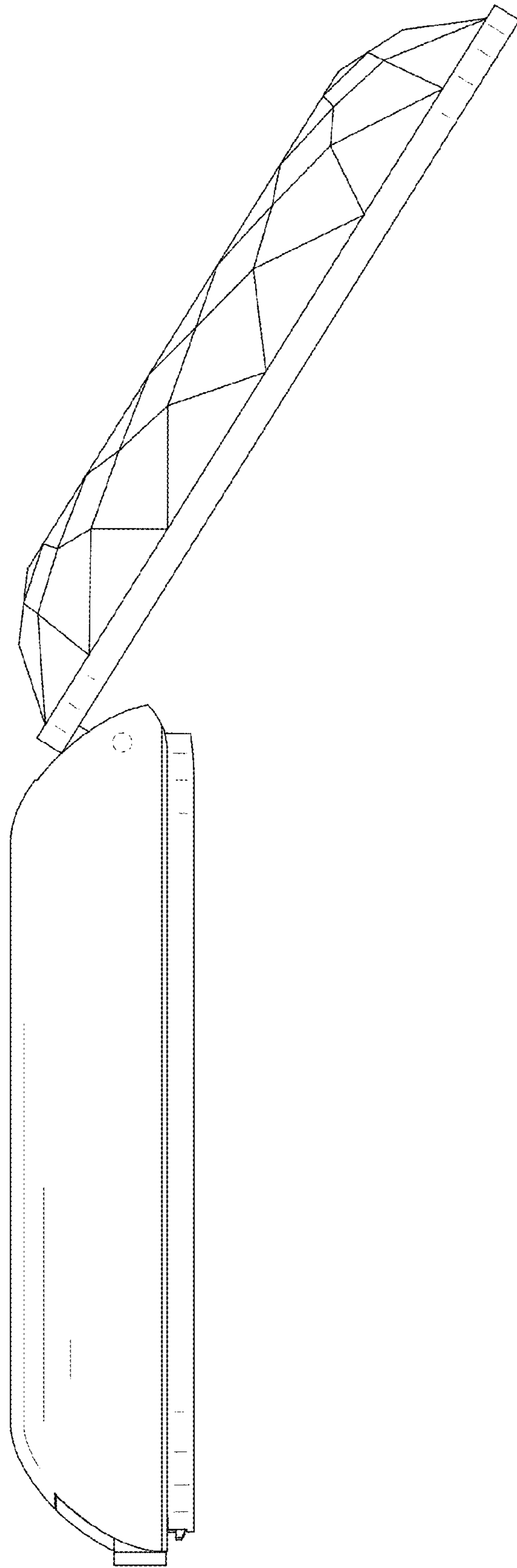


FIG. 5

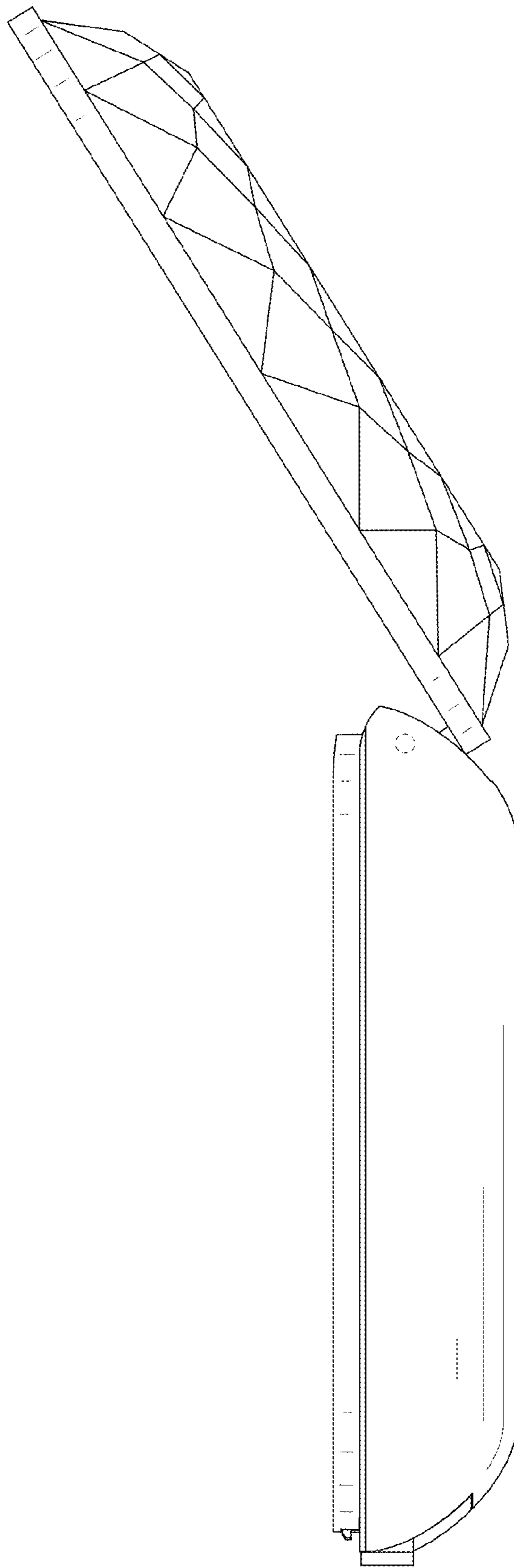


FIG. 6

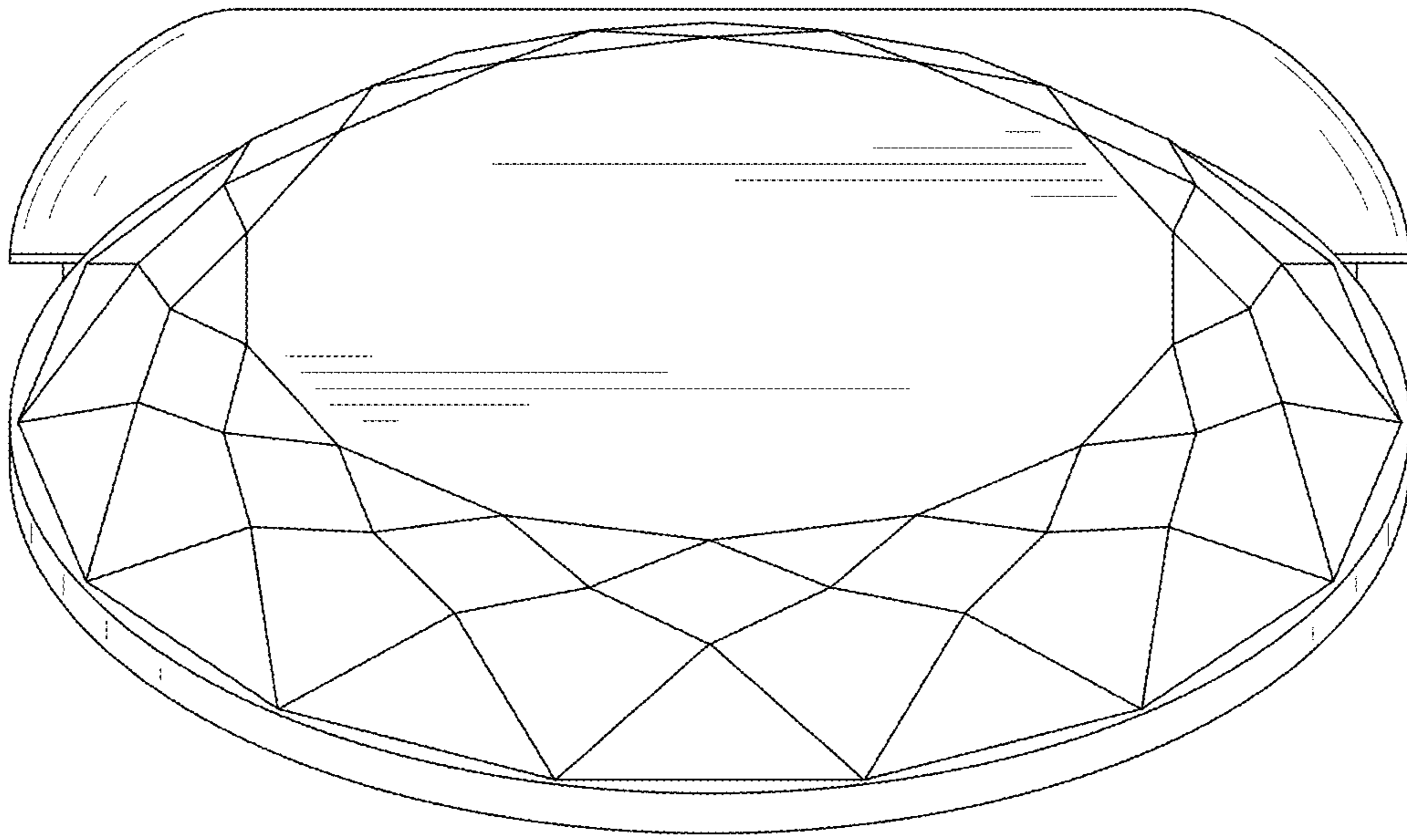


FIG. 7

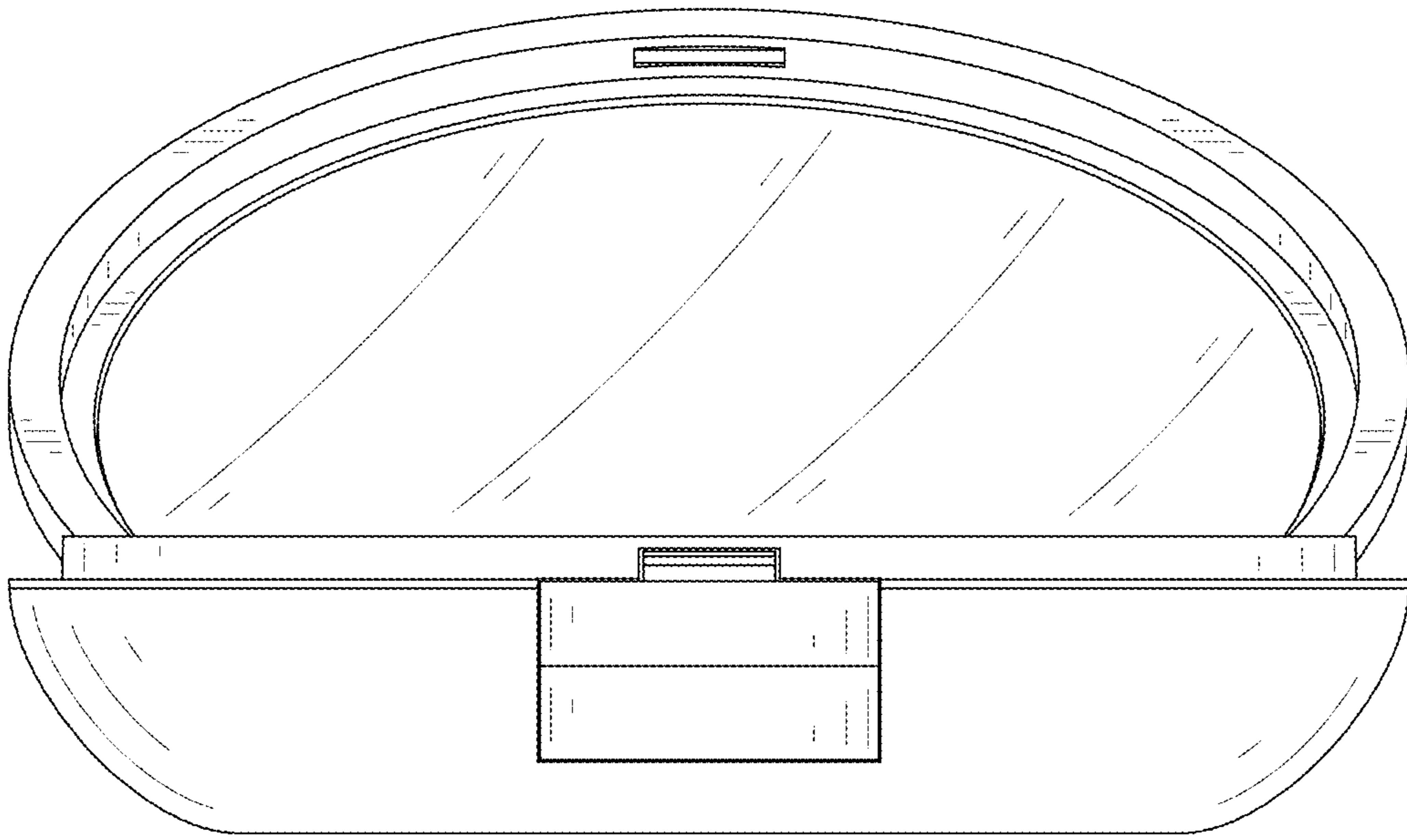


FIG. 8

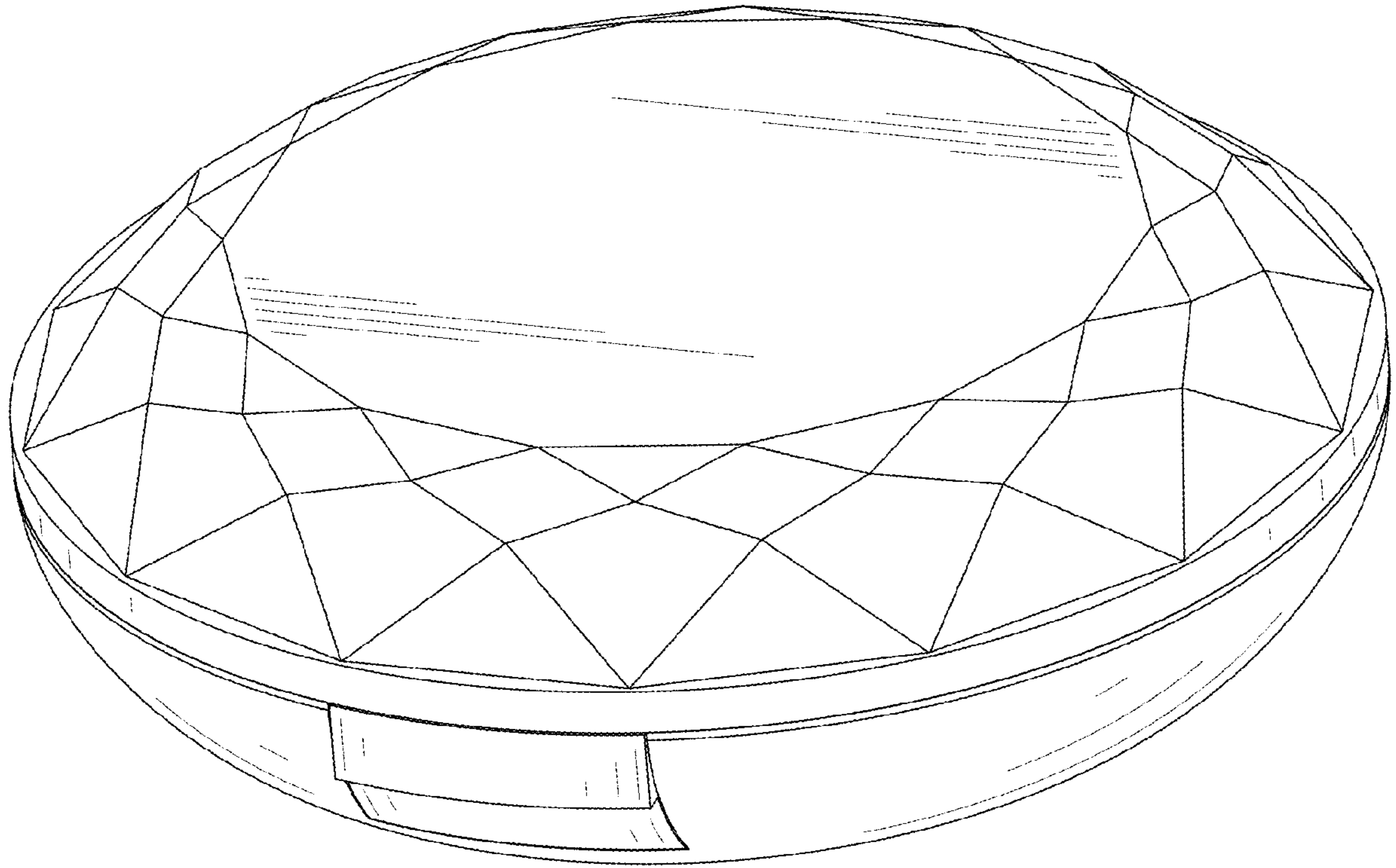


FIG. 9

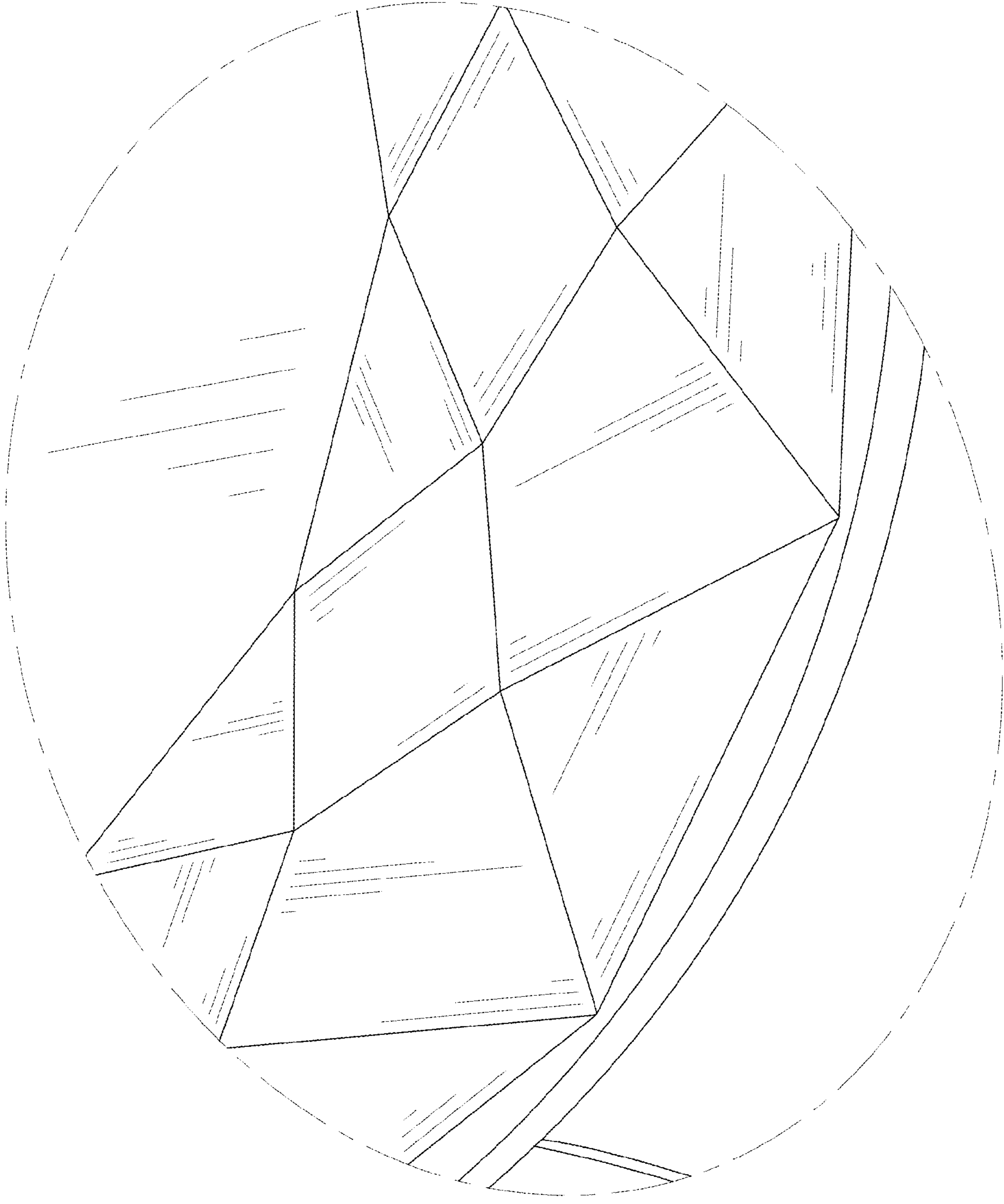


FIG. 10