



US00D935100S

(12) **United States Design Patent** (10) **Patent No.:** **US D935,100 S**
Schumaier et al. (45) **Date of Patent:** **** Nov. 2, 2021**

(54) **LIGHTED TWEEZERS**
(71) Applicant: **Ear Technology Corporation**, Johnson City, TN (US)
(72) Inventors: **Daniel R. Schumaier**, Elizabethton, TN (US); **Karlee D. Harrison**, Johnson City, TN (US); **George B. Waites, Jr.**, Fletcher, NC (US); **Samuel C. Scudder**, Asheville, NC (US)
(73) Assignee: **Ear Technology Corporation**, Johnson City, TN (US)

(**) Term: **15 Years**

(21) Appl. No.: **29/777,586**

(22) Filed: **Apr. 7, 2021**

(51) **LOC (13) Cl.** **28-03**

(52) **U.S. Cl.**
USPC **D28/55; D24/143**

(58) **Field of Classification Search**
USPC D28/55; D24/143
CPC A61B 17/20; A61B 17/28; A61B 17/50;
A61B 17/29; A61B 17/30; A61B
2017/305; A45D 26/0066
See application file for complete search history.

(56) **References Cited**

U.S. PATENT DOCUMENTS

4,785,796	A	11/1988	Mattson	
5,209,757	A	5/1993	Krug et al.	
5,234,452	A	8/1993	Wang-On	
6,074,405	A	6/2000	Koch	
6,730,076	B2	5/2004	Hickingbotham	
D497,215	S *	10/2004	Shaljian	D26/51
D537,208	S *	2/2007	Shaljian	D28/55
D561,942	S *	2/2008	Khubani	D28/55
D614,355	S *	4/2010	Epstein	D28/55

D627,103	S *	11/2010	Cho	D28/55
D627,105	S *	11/2010	Cho	D28/55
D657,496	S *	4/2012	Flatt	D28/55
D714,494	S *	9/2014	Vasquez	D28/55
D809,207	S *	1/2018	Hussain	D28/55
D812,303	S *	3/2018	Pascullo	D28/55
10,092,168	B1	10/2018	Huttner et al.	
D844,900	S *	4/2019	Zadro	D28/55
D914,981	S *	3/2021	Fuentes	D28/55
2004/0181255	A1	9/2004	Gio	
2007/0003754	A1 *	1/2007	Okada	B25B 9/02 428/323
2010/0295326	A1 *	11/2010	Chen	B25B 9/02 294/99.2

FOREIGN PATENT DOCUMENTS

CN	2192310	3/1995
CN	2355698	12/1999
CN	201618004	U 11/2010
CN	201759742	U 3/2011
CN	201959081	U 9/2011

(Continued)

Primary Examiner — Jennifer Rivard

(74) *Attorney, Agent, or Firm* — Luedeka Neely Group, P.C.

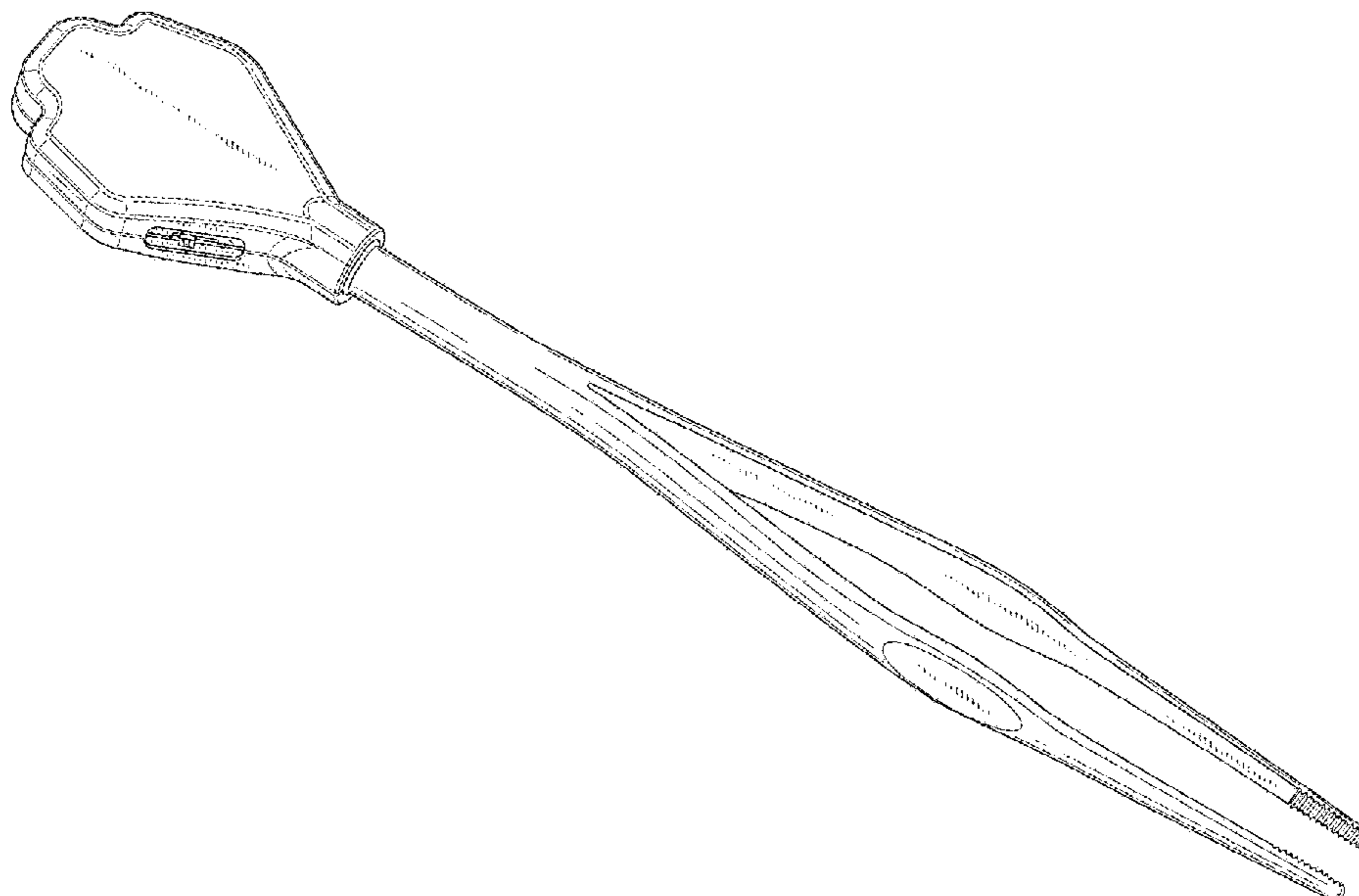
(57) **CLAIM**

The ornamental design for lighted tweezers, as shown and described.

DESCRIPTION

FIG. 1 is a perspective view of the lighted tweezers showing our new design;
FIG. 2 is a right side elevation view thereof;
FIG. 3 is a left side elevation view thereof;
FIG. 4 is a top plan view thereof;
FIG. 5 is a bottom plan view thereof;
FIG. 6 is a rear elevation view thereof; and,
FIG. 7 is a front elevation view thereof.

1 Claim, 4 Drawing Sheets



(56)

References Cited

FOREIGN PATENT DOCUMENTS

CN	203953746 U	11/2014
CN	204016615 U	12/2014
CN	205458567 U	8/2016
CN	209075144 U	7/2019
CN	210355086 U	4/2020
CN	211934525 U	11/2020

* cited by examiner

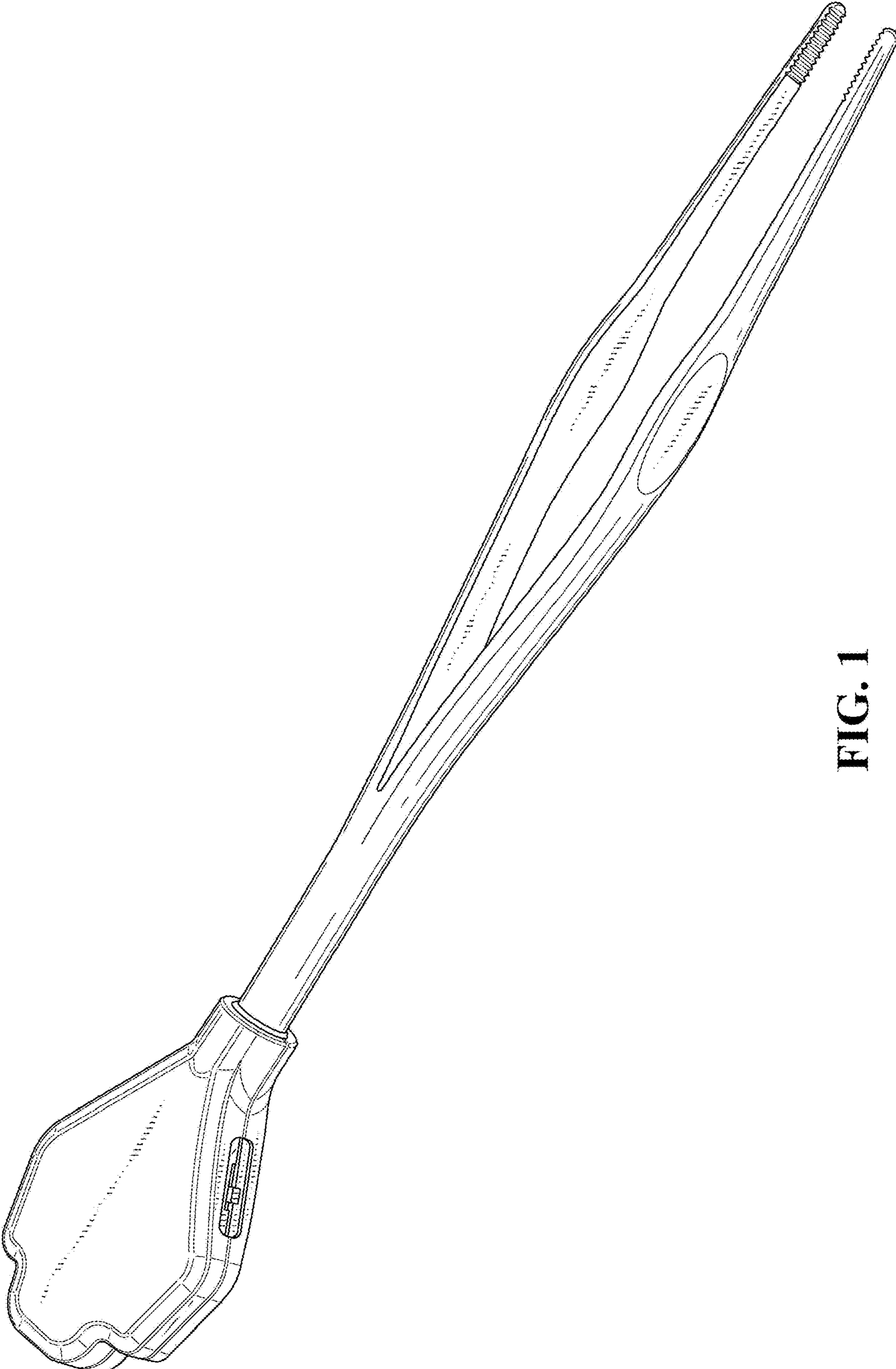


FIG. 1

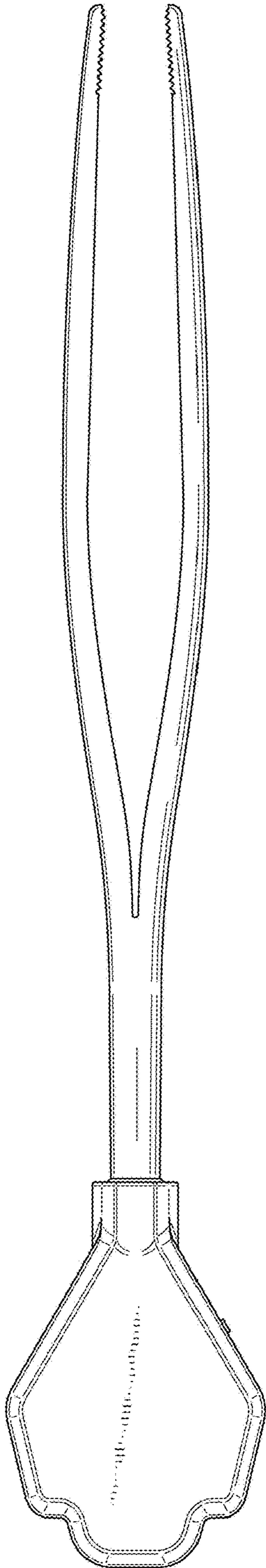


FIG. 2

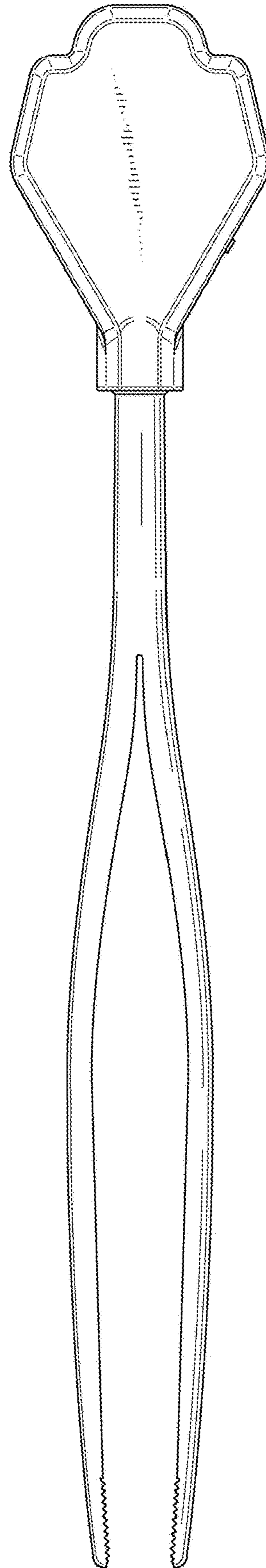


FIG. 3

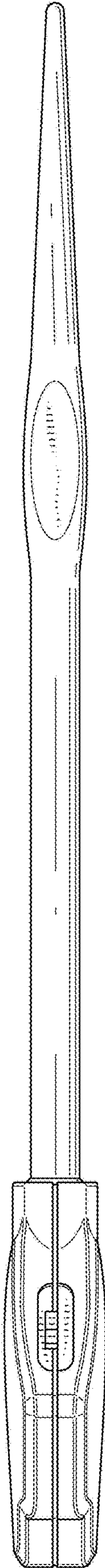


FIG. 4

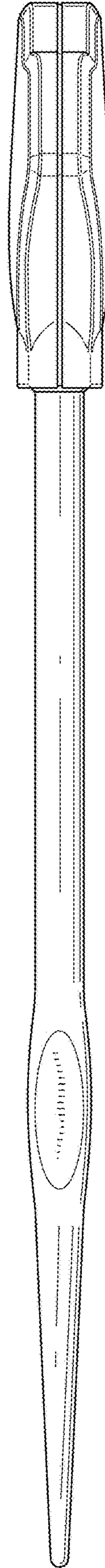


FIG. 5

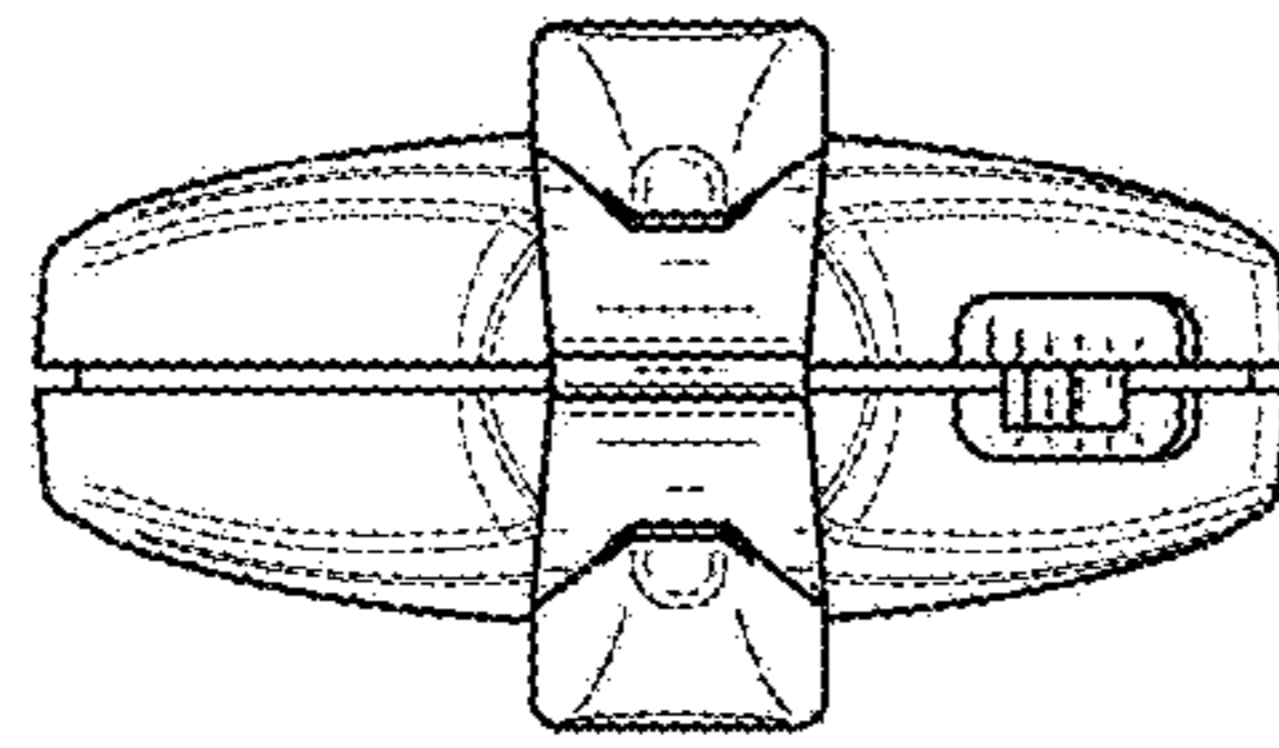


FIG. 7

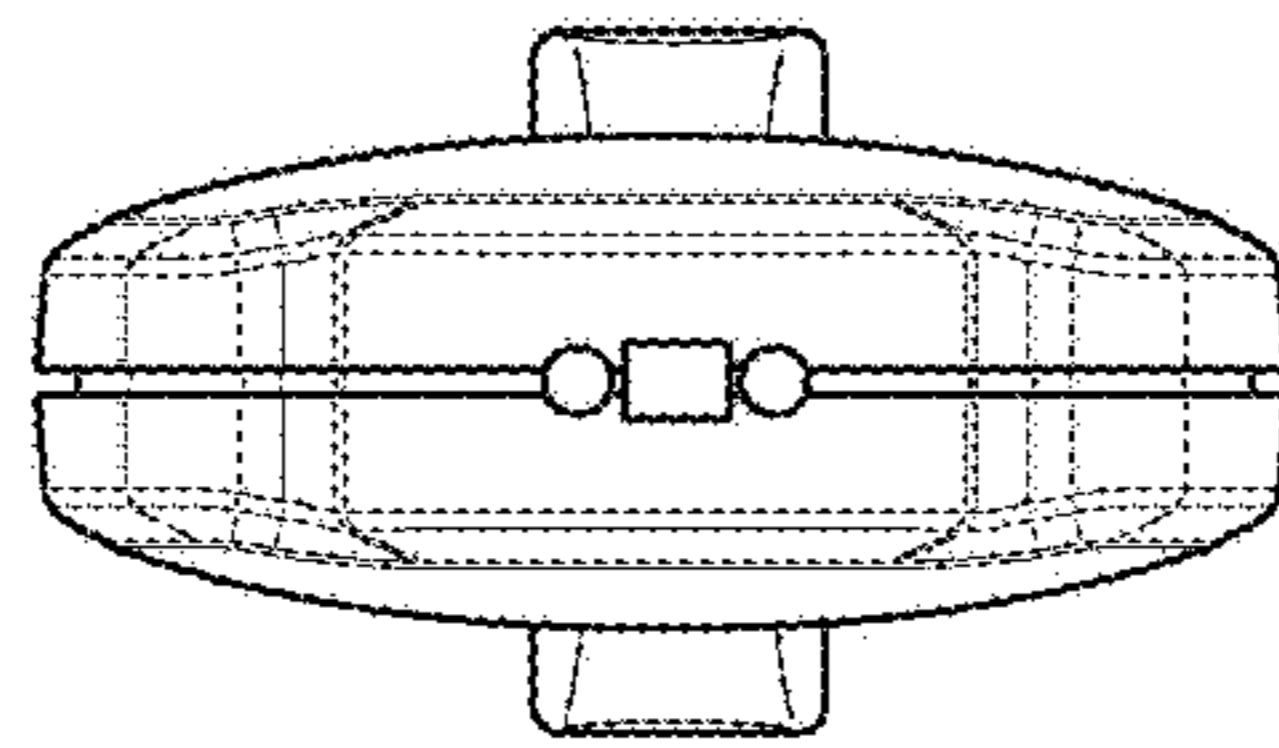


FIG. 6