



US00D935098S

(12) **United States Design Patent** (10) **Patent No.:** **US D935,098 S**
Prat-Pfister (45) **Date of Patent:** **** Nov. 2, 2021**

(54) **SHAVER HANDLE**

(71) Applicant: **KONINKLIJKE PHILIPS N.V.**,
Eindhoven (NL)

(72) Inventor: **Gael Louis Jacques Prat-Pfister**,
Amersfoort (NL)

(73) Assignee: **KONINKLIJKE PHILIPS N.V.**,
Eindhoven (NL)

(**) Term: **15 Years**

(21) Appl. No.: **29/701,132**

(22) Filed: **Aug. 8, 2019**

(51) **LOC (13) Cl.** **28-03**

(52) **U.S. Cl.**
USPC **D28/50; D28/54**

(58) **Field of Classification Search**
USPC D28/50, 54
CPC B26B 19/14–18; B26B 19/3853–3866;
B26B 19/3873–3886
See application file for complete search history.

(56) **References Cited**

U.S. PATENT DOCUMENTS

D620,198 S * 7/2010 Nitz D28/50
9,409,301 B2 * 8/2016 Kuijper B26B 19/143

D812,301 S * 3/2018 Yen D28/50
D824,103 S * 7/2018 Yen D28/50
D824,595 S * 7/2018 Yen D28/50
D856,583 S * 8/2019 Chen D28/50
D902,486 S * 11/2020 Andersson D28/50

* cited by examiner

Primary Examiner — Jennifer Rivard

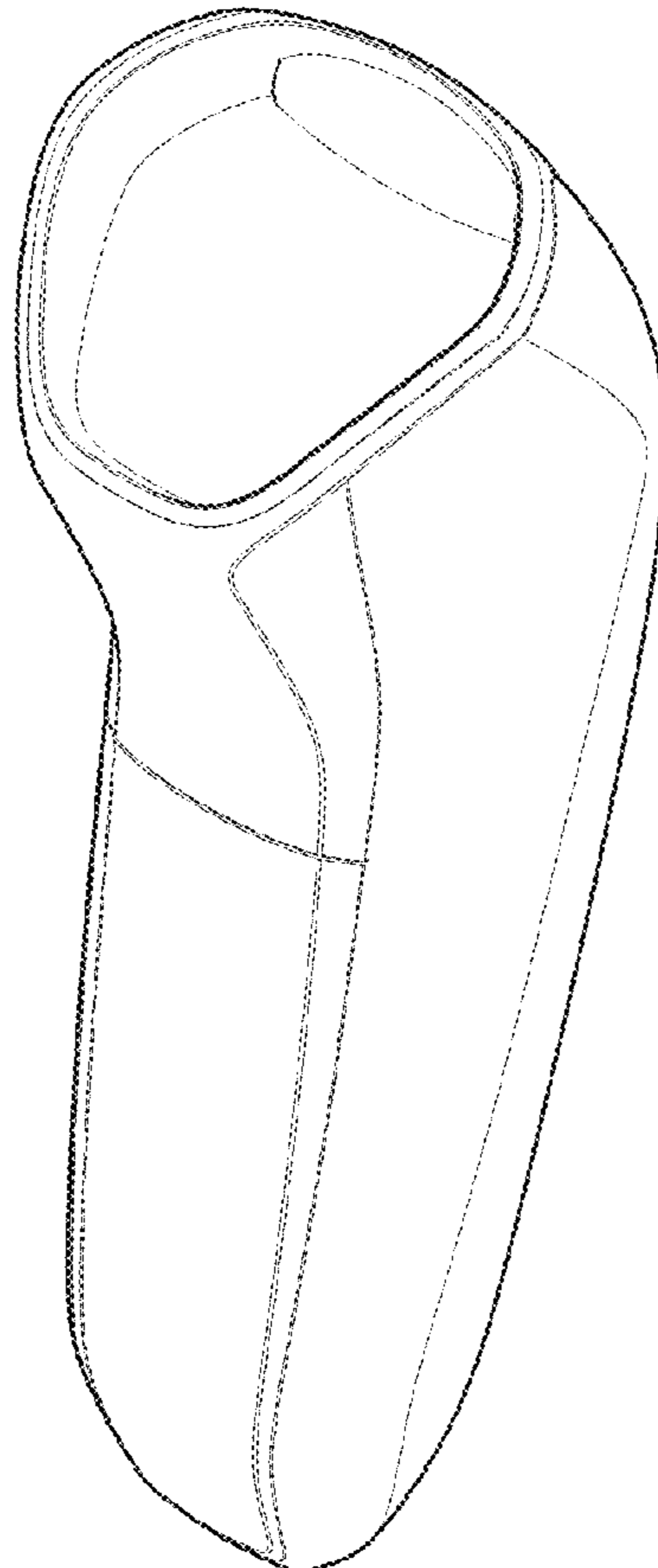
(57) **CLAIM**

The ornamental design for a shaver handle, as shown.

DESCRIPTION

FIG. 1 is a perspective view showing my design;
FIG. 2 is a front elevational view thereof;
FIG. 3 is a rear devotional view thereof;
FIG. 4 is a right side elevational view thereof;
FIG. 5 is a left side elevational view thereof;
FIG. 6 is a top plan view thereof; and,
FIG. 7 is a bottom plan view thereof.
The broken lines shown are included for the purpose of illustrating the unclaimed portions of the shaver handle and form no part of the claimed design.

1 Claim, 4 Drawing Sheets



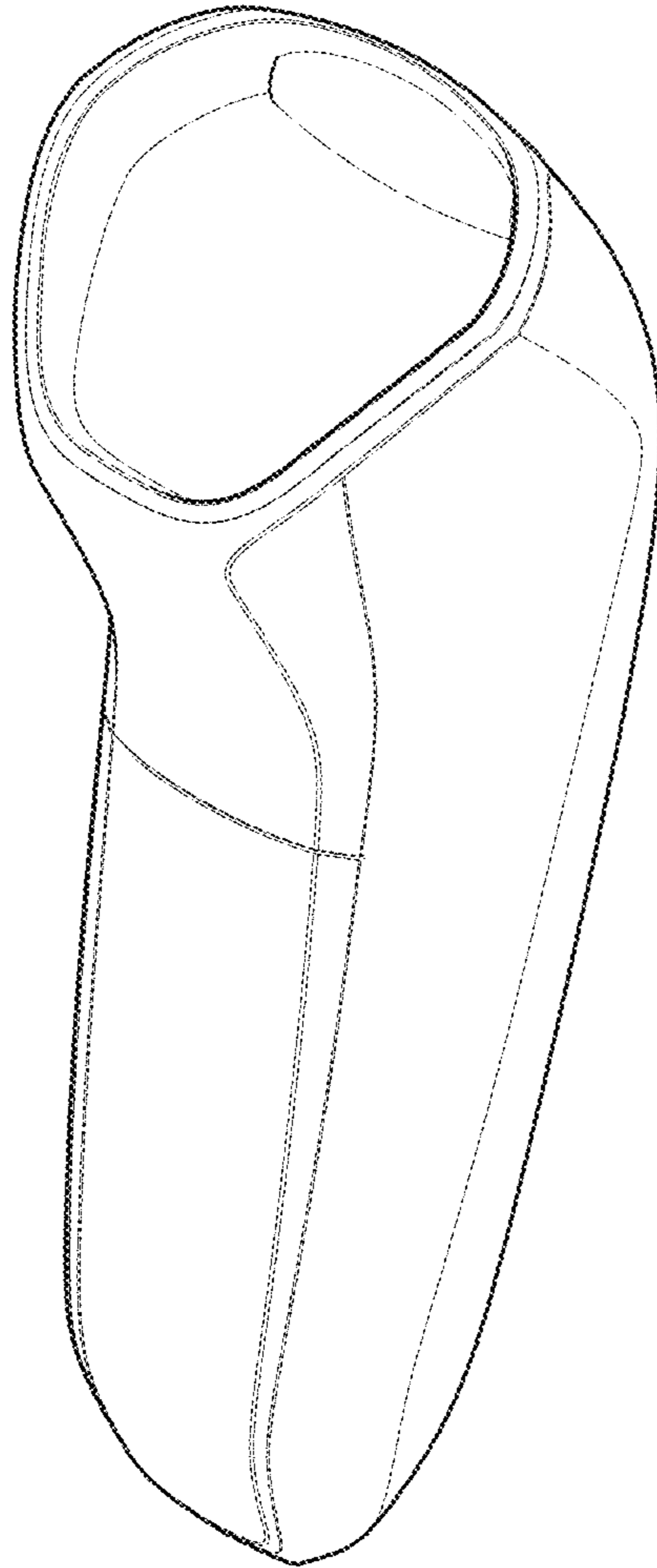


FIG. 1

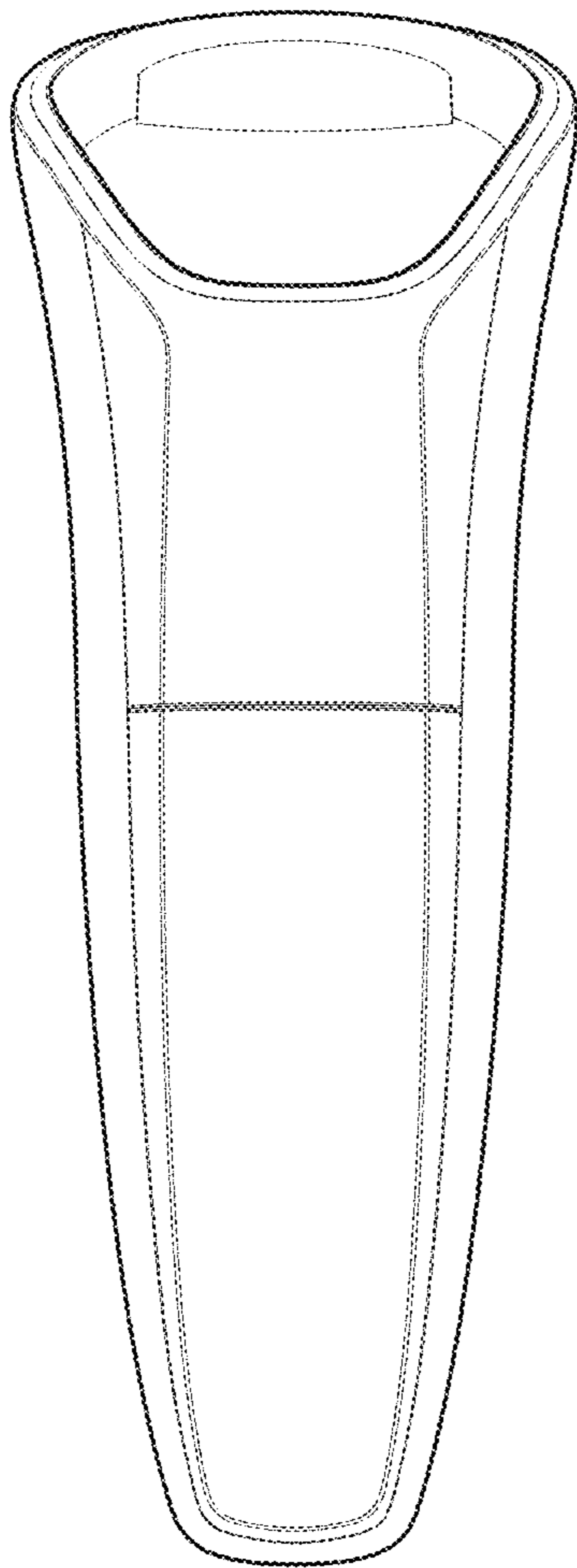


FIG. 2

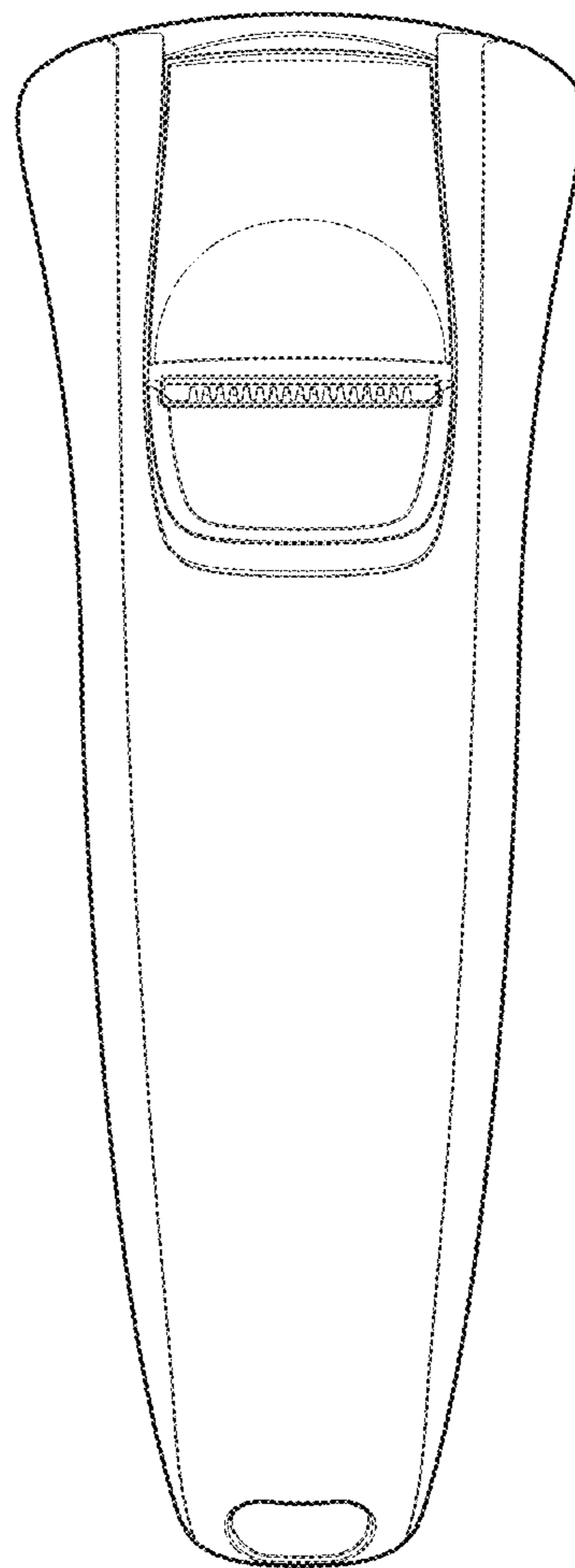


FIG. 3

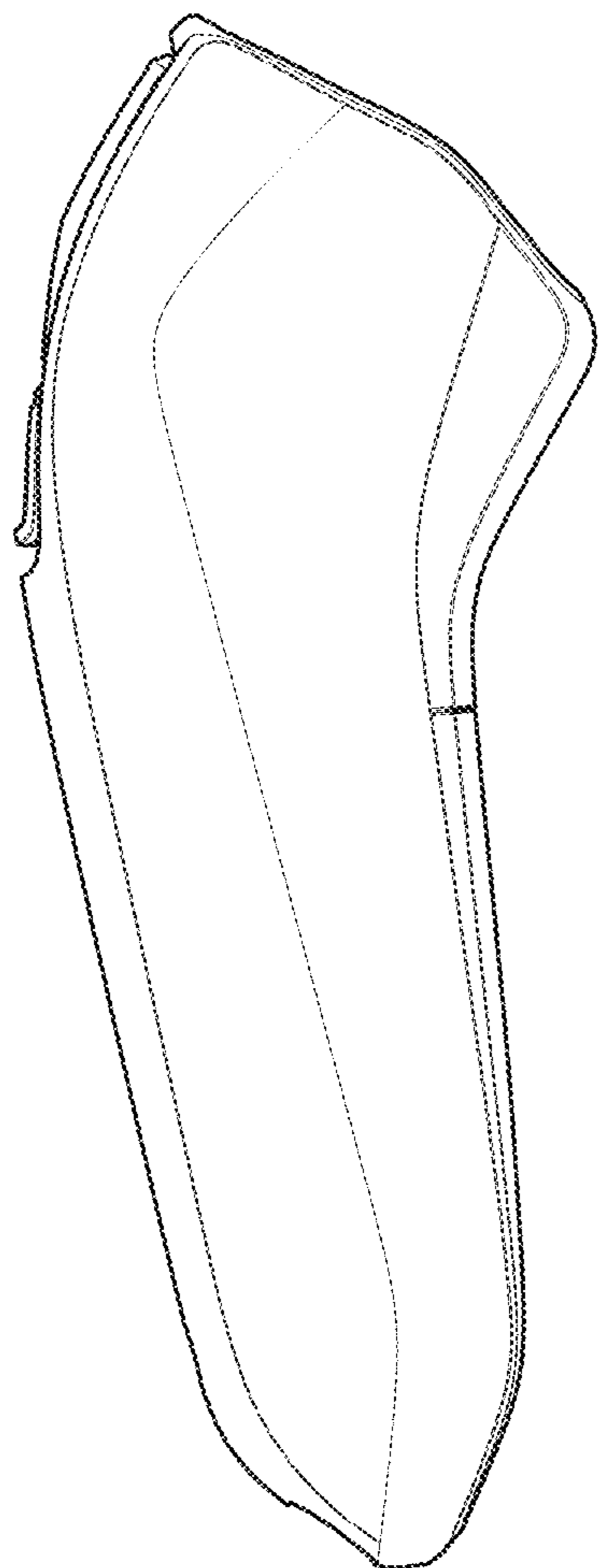


FIG. 4

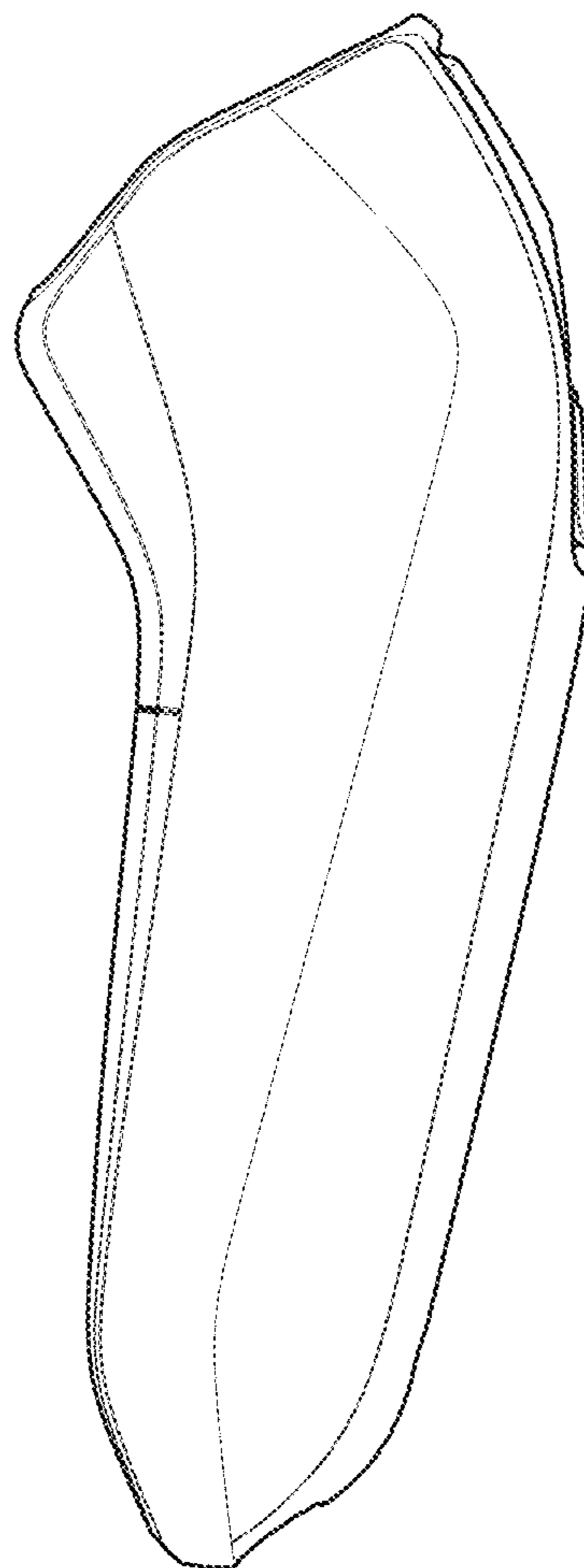


FIG. 5

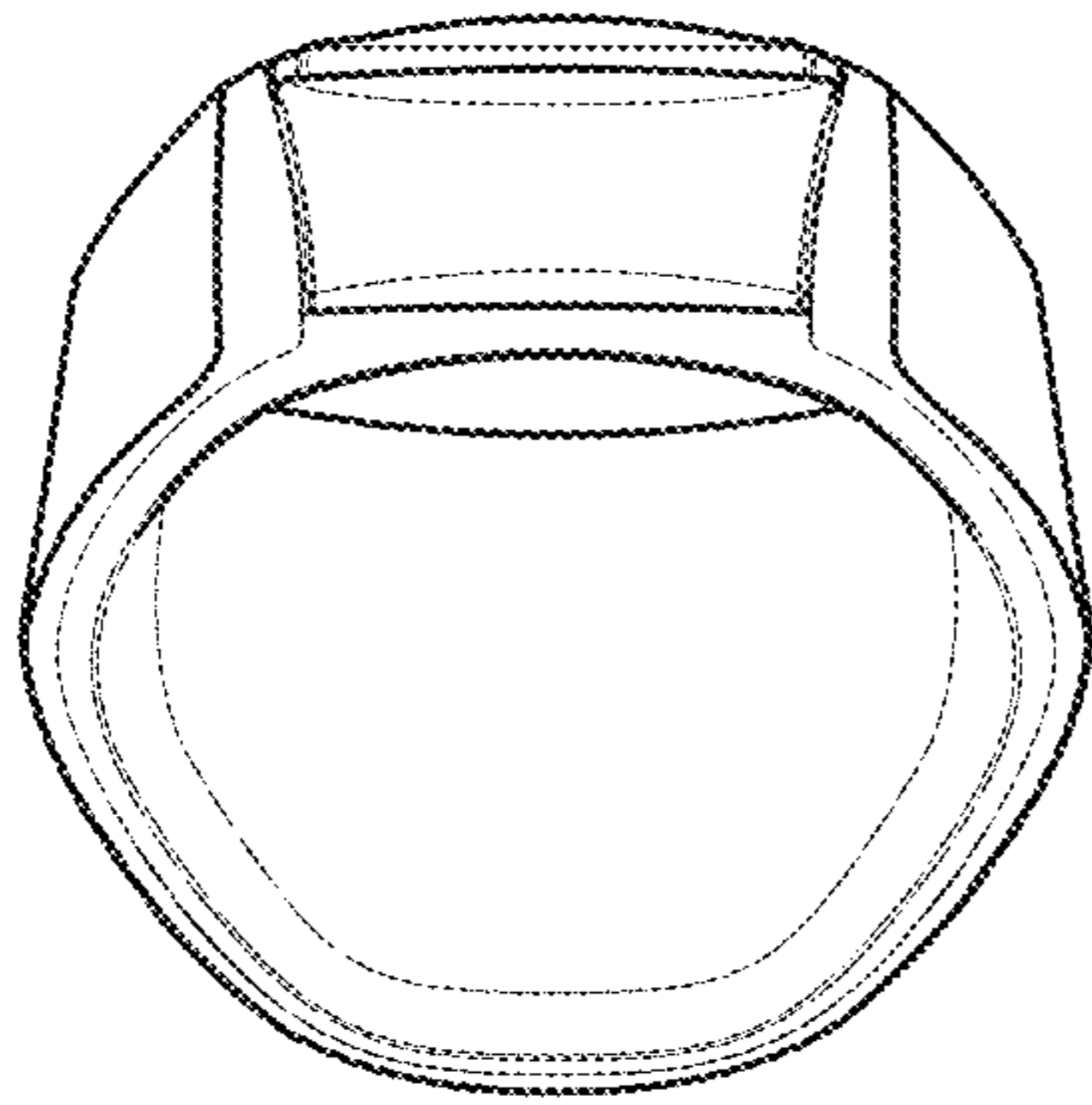


FIG. 6

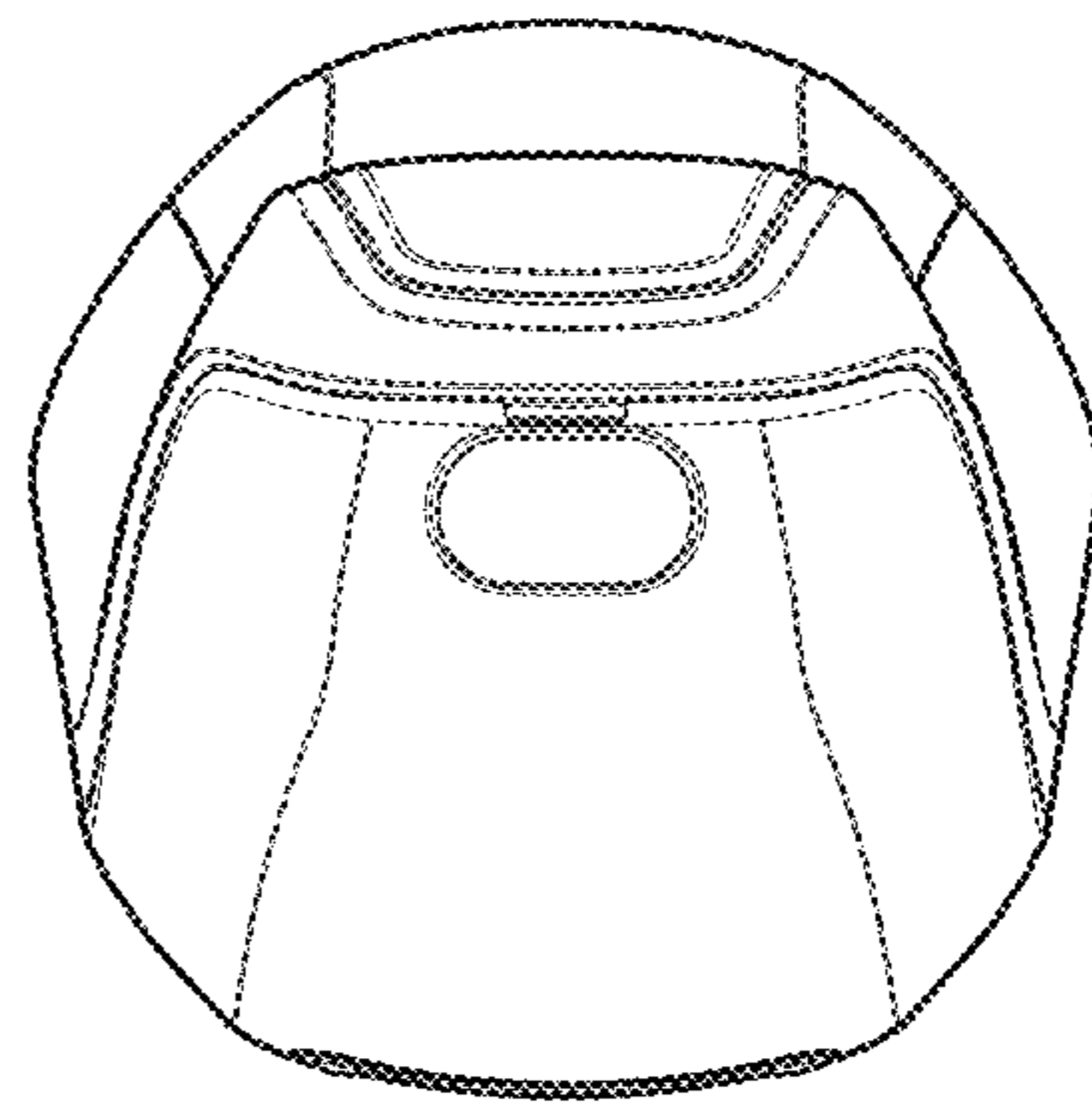


FIG. 7