



US00D935095S

(12) **United States Design Patent**
Langberg

(10) **Patent No.:** **US D935,095 S**

(45) **Date of Patent:** **** Nov. 2, 2021**

- (54) **GUARD FOR HAIR REMOVAL DEVICE**
- (71) Applicant: **Church & Dwight Co., Inc.**, Princeton, NJ (US)
- (72) Inventor: **Eric Langberg**, Milford, PA (US)
- (73) Assignee: **Church & Dwight Co., Inc.**, Princeton, NJ (US)
- (**) Term: **15 Years**
- (21) Appl. No.: **29/712,099**
- (22) Filed: **Nov. 5, 2019**
- (51) **LOC (13) Cl.** **28-03**
- (52) **U.S. Cl.**
USPC **D28/47**; D28/54
- (58) **Field of Classification Search**
USPC D28/47, 54; D9/735, 736; D3/203.1, D3/205
CPC A45D 27/22-225; B26B 19/382; B26B 19/3826; B26B 19/3846; B26B 19/046; B26B 29/00; B26B 21/40; B26B 21/42; B26B 21/4018; B26B 21/4025; B26B 21/4037; B26B 21/4031; B65D 21/0204
See application file for complete search history.

| | | | | | |
|--------------|------|---------|------------|-------|--------------|
| 4,996,772 | A * | 3/1991 | Iten | | B26B 21/4037 |
| | | | | | 30/123.3 |
| 6,185,823 | B1 * | 2/2001 | Brown | | B26B 21/00 |
| | | | | | 30/50 |
| 6,418,623 | B1 * | 7/2002 | Marcarelli | | B26B 21/22 |
| | | | | | 30/34.1 |
| D624,242 | S * | 9/2010 | Bridges | | D28/47 |
| 9,751,226 | B2 * | 9/2017 | Psimadas | | B26B 21/521 |
| 9,919,441 | B2 * | 3/2018 | Drori | | B26B 21/4018 |
| 10,780,596 | B2 * | 9/2020 | Squires | | B26B 21/227 |
| 2017/0305022 | A1 * | 10/2017 | Bamundaga | | B26B 21/06 |
| 2018/0161999 | A1 * | 6/2018 | Depaz | | B26B 21/4012 |
| 2019/0299439 | A1 * | 10/2019 | Park | | B26B 21/4037 |
| 2019/0351569 | A1 * | 11/2019 | Squires | | B26B 21/4006 |
| 2020/0061856 | A1 * | 2/2020 | Musallam | | B26B 19/3846 |
| 2020/0290223 | A1 * | 9/2020 | Kole | | B26B 21/565 |

* cited by examiner

Primary Examiner — Jennifer Rivard

(74) *Attorney, Agent, or Firm* — Womble Bond Dickinson (US) LLP

(57) **CLAIM**

The ornamental design for a guard for hair removal device, as shown and described.

DESCRIPTION

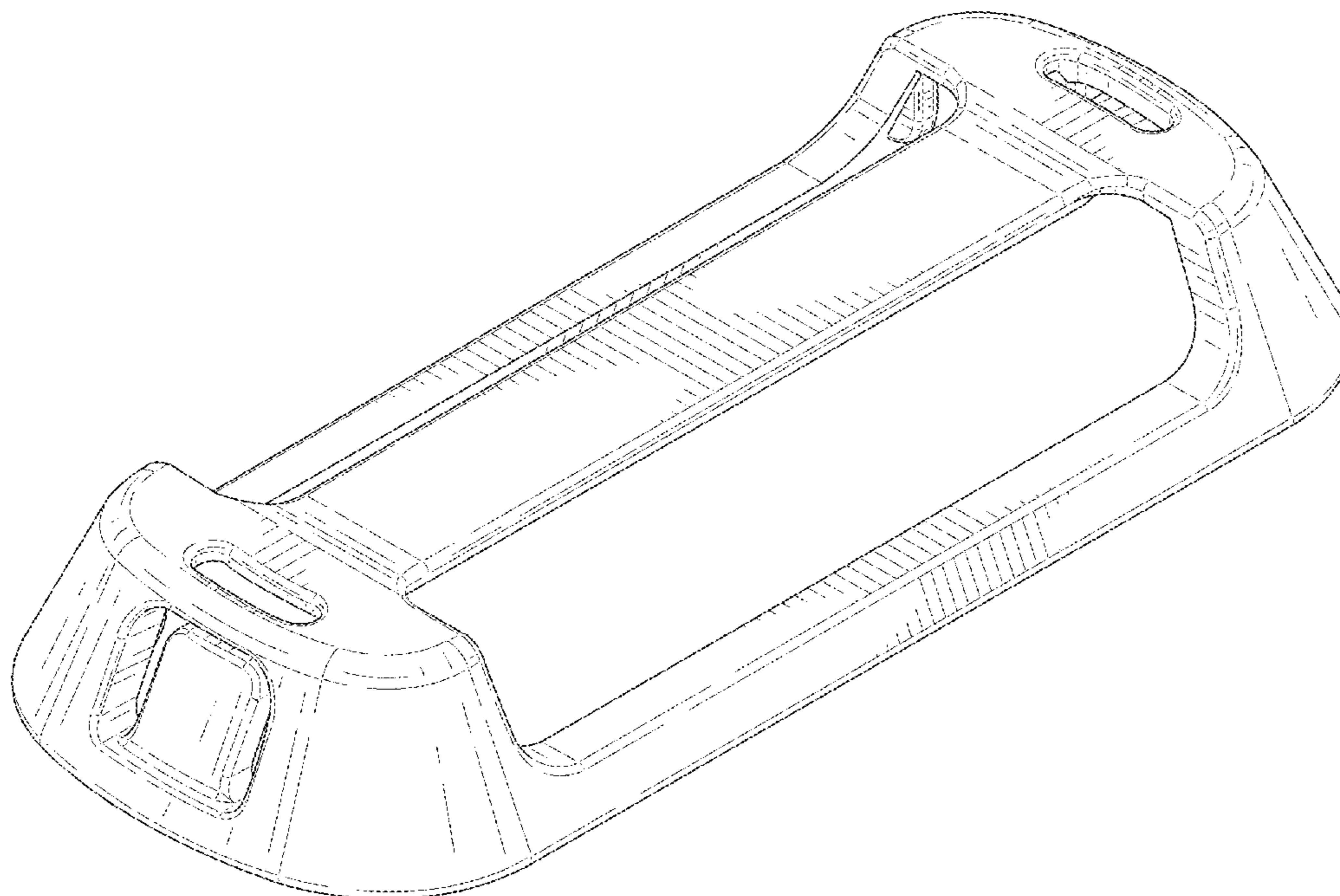
FIG. 1 is a front perspective view of a guard for hair removal device of the present invention showing our new design; FIG. 2 is a front view thereof; FIG. 3 is a rear view thereof; FIG. 4 is a side view thereof, the opposing side view being a mirror image thereof; FIG. 5 is a top plan view thereof; and, FIG. 6 is a bottom plan view thereof. The broken lines illustrate portions of the guard for hair removal device and form no part of the claimed design.

1 Claim, 5 Drawing Sheets

(56) **References Cited**

U.S. PATENT DOCUMENTS

| | | | | | |
|-----------|-----|---------|-------------|-------|------------|
| 3,388,468 | A * | 6/1968 | Hamill | | B26B 29/00 |
| | | | | | 30/540 |
| 3,408,737 | A * | 11/1968 | Steere, Jr. | | B26B 29/00 |
| | | | | | 30/540 |
| 3,530,574 | A * | 9/1970 | Patterson | | B26B 21/40 |
| | | | | | 30/540 |



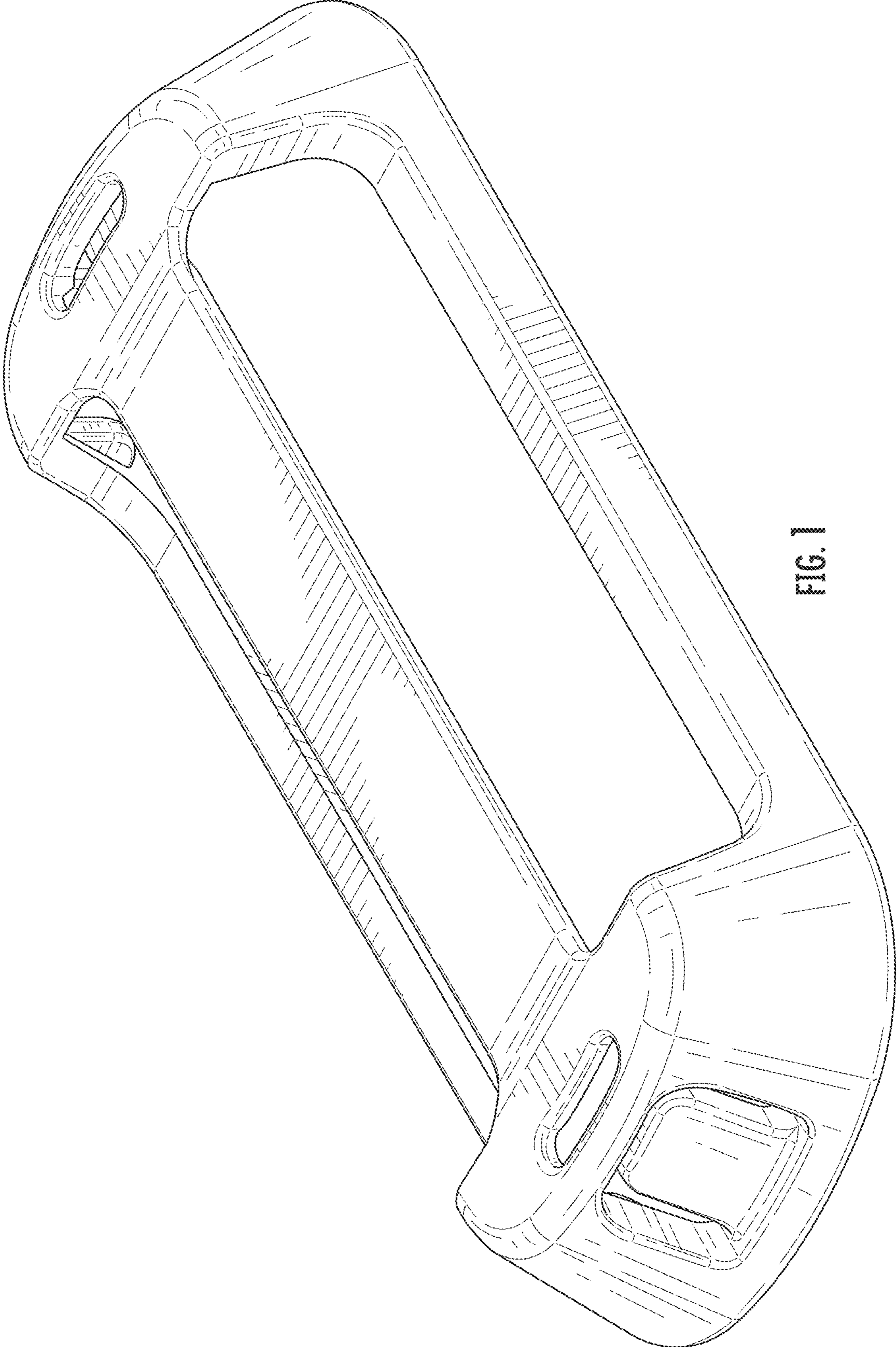


FIG. 1

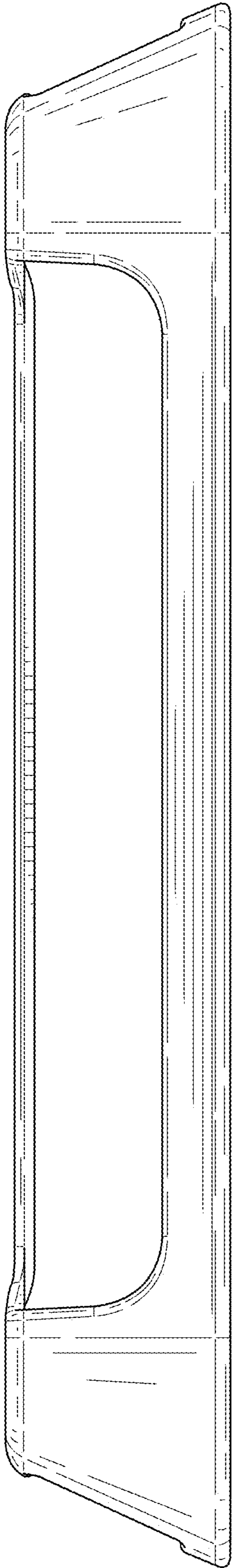


FIG. 2

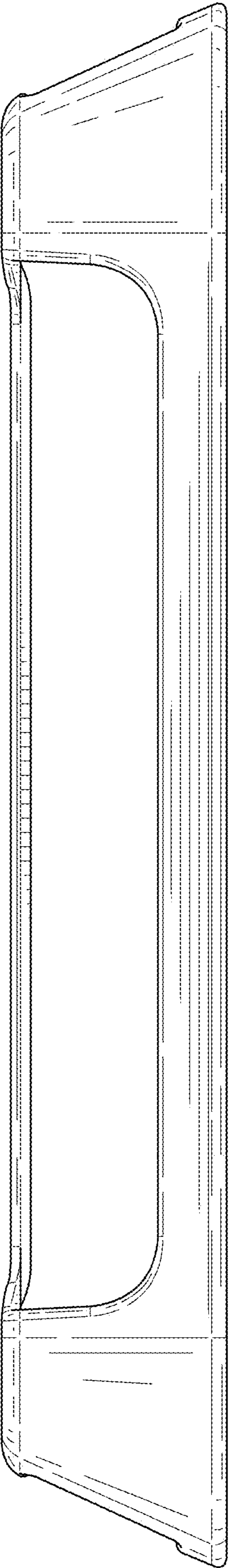


FIG. 3

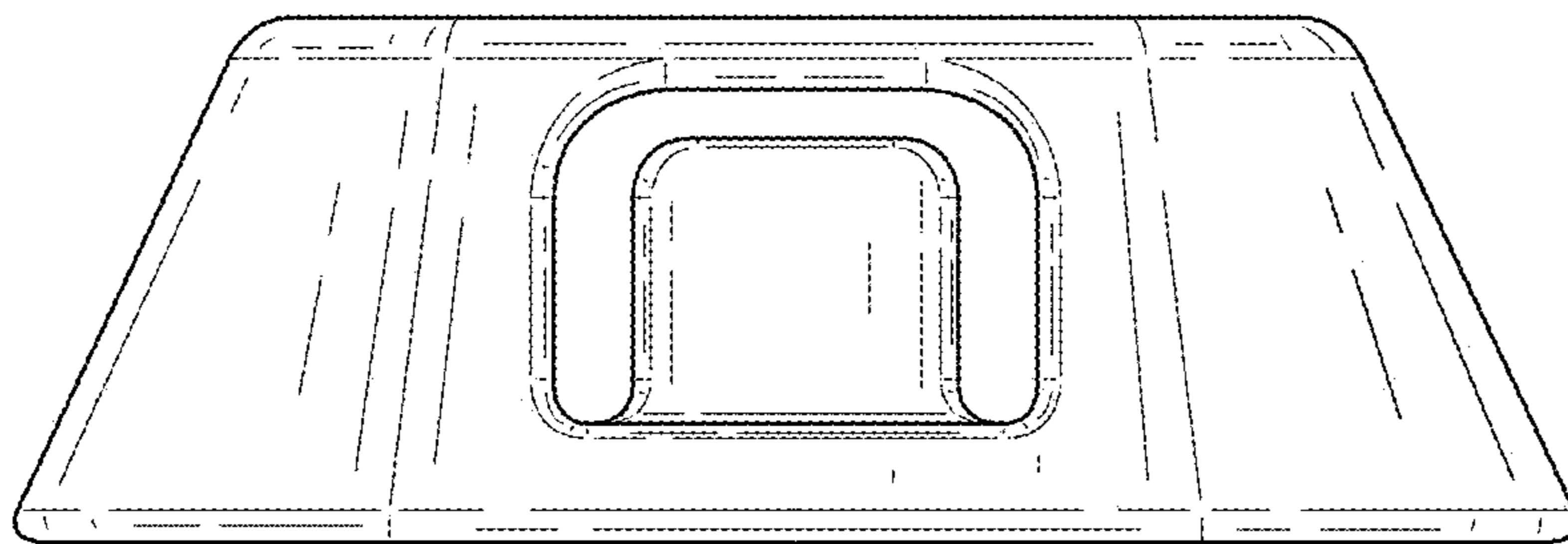


FIG. 4

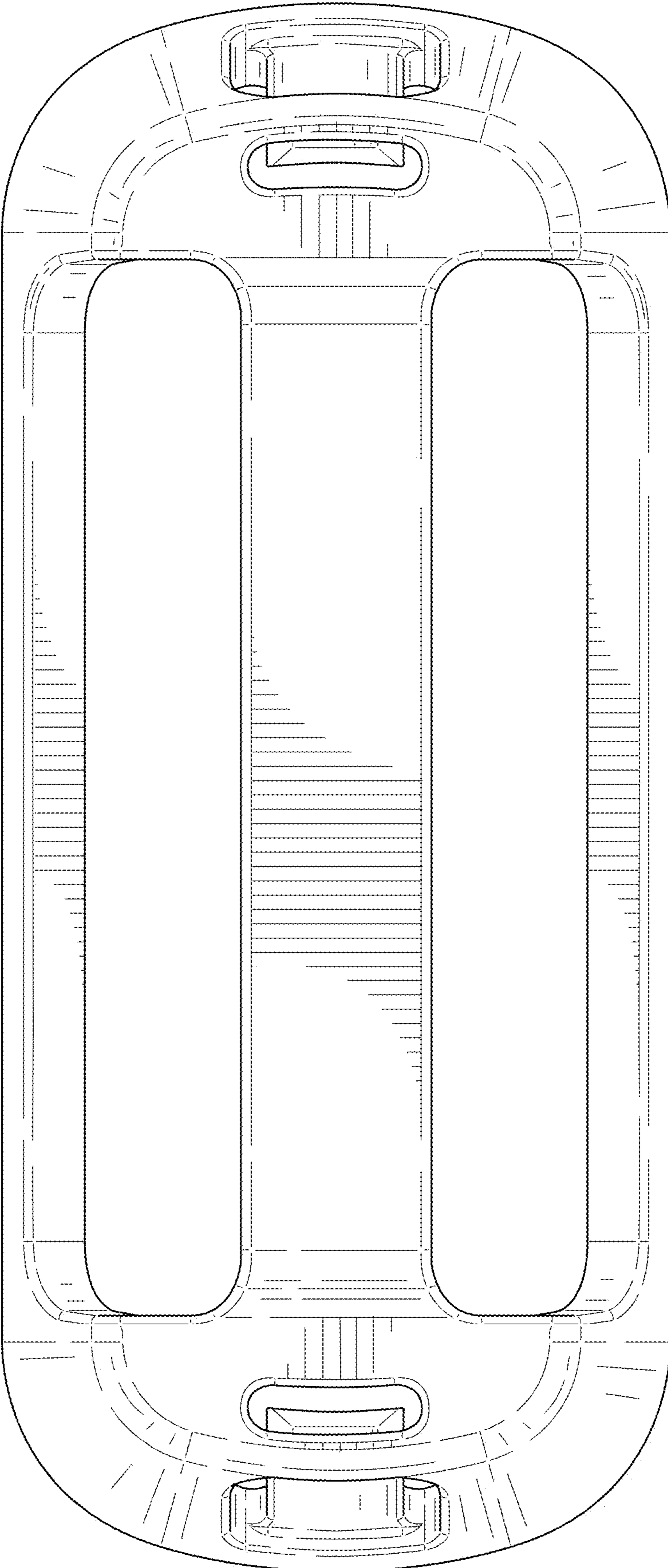


FIG. 5

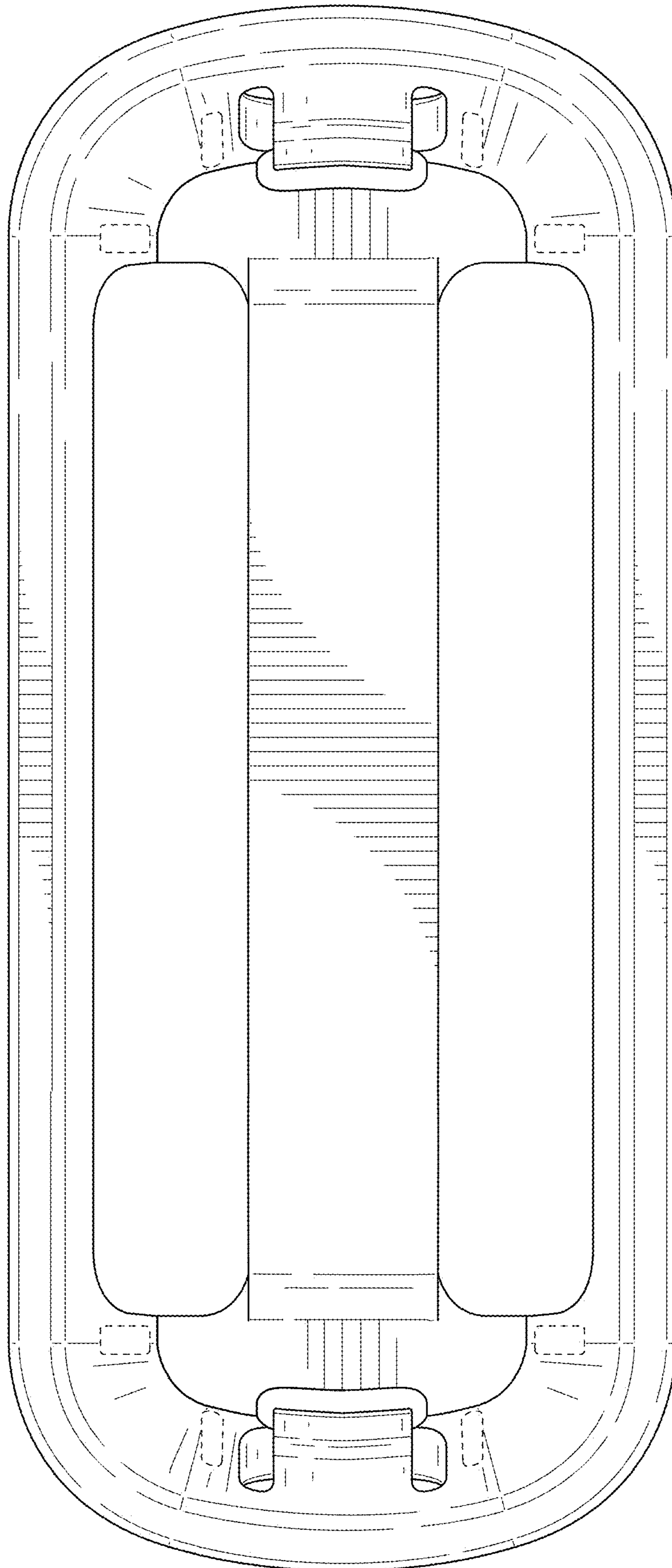


FIG. 6