



US00D935093S

(12) **United States Design Patent** (10) **Patent No.:** **US D935,093 S**
Huang (45) **Date of Patent:** **** Nov. 2, 2021**

(54) **ELECTRIC HAIR FIBER APPLICATOR**

FOREIGN PATENT DOCUMENTS

(71) Applicant: **Guangzhou Yucaitang Cosmetics Co., Ltd.**, Guangzhou (CN)

CN 110194025 A * 5/2019
CN 306021542 * 1/2020

(72) Inventor: **Weiyi Huang**, Zhangzhou (CN)

OTHER PUBLICATIONS

(**) Term: **15 Years**

Temptu Air Root Touch-Up & Hair Color Kit [online], [site visited May 20, 2021], Available from internet, URL: <<https://temptu.com/temptu-air-root-touch-up-hair-color-kit.html?gclid=Cj0KCQjw kZiFBhD9ARIsAGxFX8B1w5edgCl5GbJH6guit2Nizx5n1Pf_YF5t9fF-J5My5Vj-oGYuRIMaAuOAEALw_wcB> (Year: 2021).*

(21) Appl. No.: **29/721,395**

(22) Filed: **Jan. 21, 2020**

(51) **LOC (13) Cl.** **28-03**

(52) **U.S. Cl.**
USPC **D28/10**

(58) **Field of Classification Search**

USPC D28/4, 7, 8, 9, 10, 73, 99; D23/213, D23/223, 226
CPC A45D 34/00; A45D 2200/057; B05B 17/0615; B05B 9/01; B05B 7/067; B05B 7/12; B05B 7/24; B05B 7/2402; B05B 7/2405; B05B 7/2424; B05B 7/2478

See application file for complete search history.

* cited by examiner

Primary Examiner — Cynthia Ramirez

Assistant Examiner — Xavier Marti-Santos

(74) *Attorney, Agent, or Firm* — Rumit Ranjit Kanakia

(57) **CLAIM**

I claim the ornamental design for an electric hair fiber applicator, as shown and described.

(56) **References Cited**

DESCRIPTION

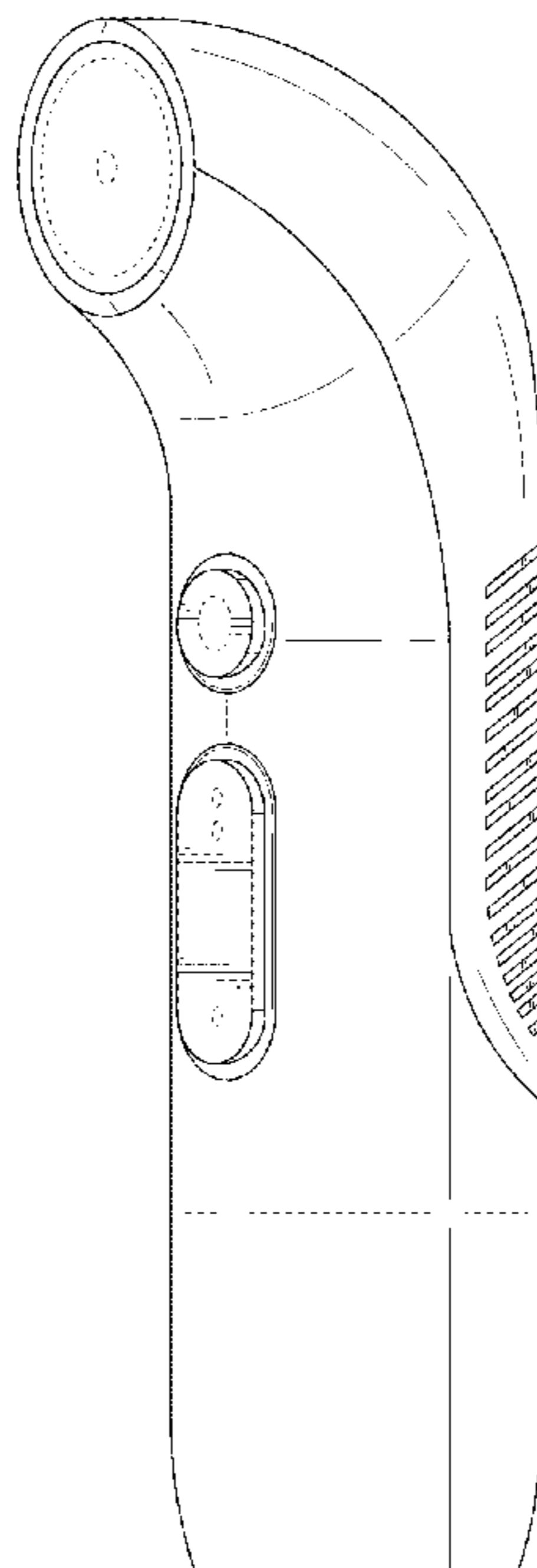
U.S. PATENT DOCUMENTS

- D400,258 S * 10/1998 Bolleter D24/210
- D414,582 S * 9/1999 Hwang D28/9
- D425,241 S * 5/2000 Nishizawa D28/9
- D652,919 S * 1/2012 Sherwood D24/133
- 8,091,803 B2 * 1/2012 Fedorov B05B 7/2416
239/346
- D732,736 S * 6/2015 Hefetz D28/10
- D742,003 S * 10/2015 Tasar D24/146
- D795,423 S * 8/2017 Chen D24/133
- D843,053 S * 3/2019 Zhang D28/7
- D869,762 S * 12/2019 Yue D28/10
- D905,335 S * 12/2020 Kling D28/44.1
- 2011/0284664 A1 * 11/2011 Fedorov B05B 7/2416
239/525

FIG. 1 is a Perspective view of an electric hair fibers applicator showing my new design;
FIG. 2 is a Front view thereof;
FIG. 3 is a Back view thereof;
FIG. 4 is a Right-side view thereof;
FIG. 5 is a Left-side view thereof;
FIG. 6 is a Top view thereof; and,
FIG. 7 is a Bottom view thereof.

The broken lines in the figures are for the purpose of illustrating portions of the electric hair fiber applicator, which form no part of the claimed design.

1 Claim, 7 Drawing Sheets



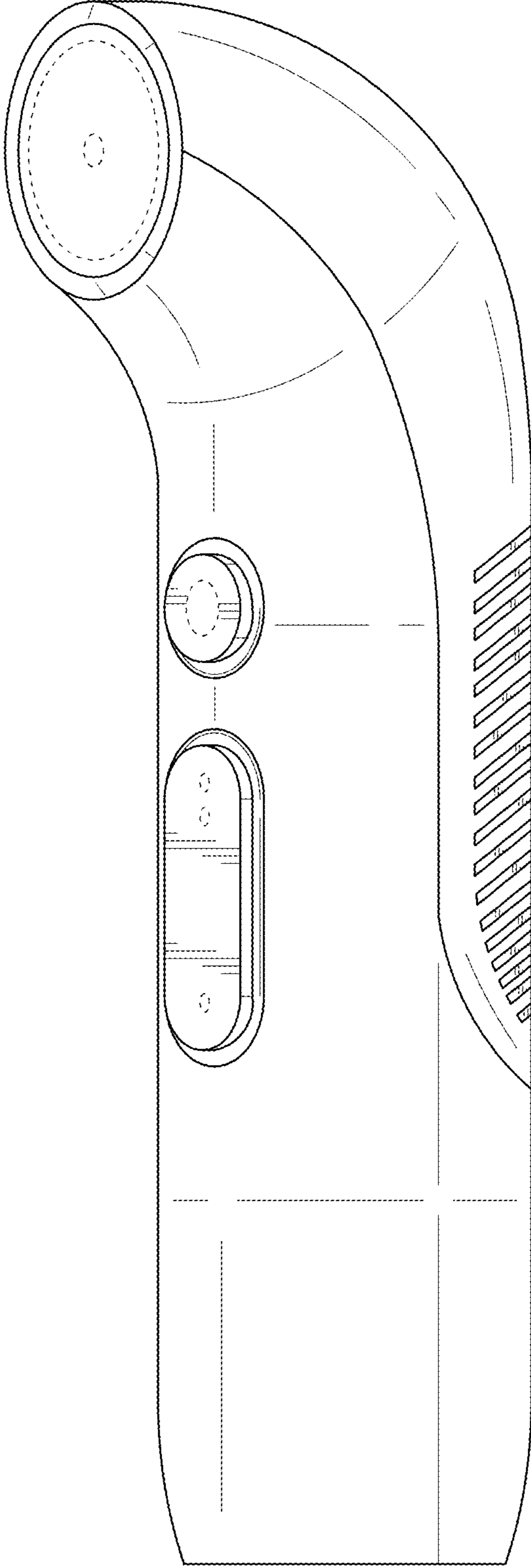


FIG. 1

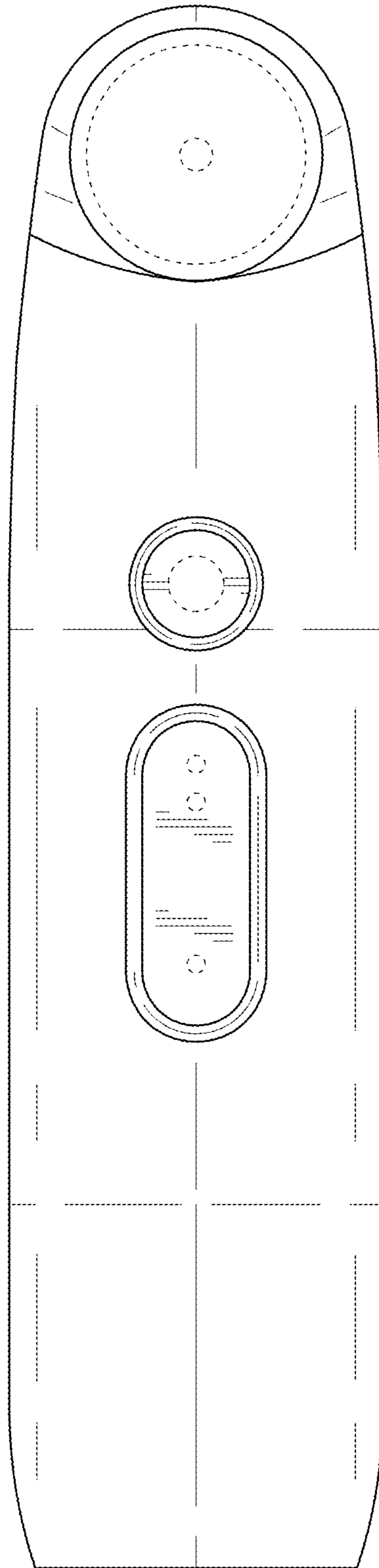


FIG. 2

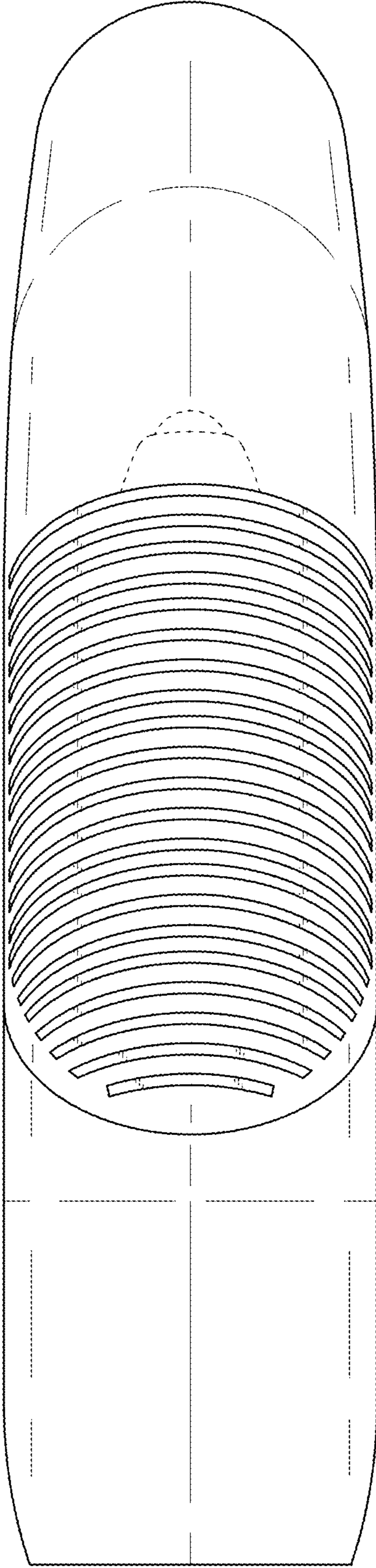


FIG. 3

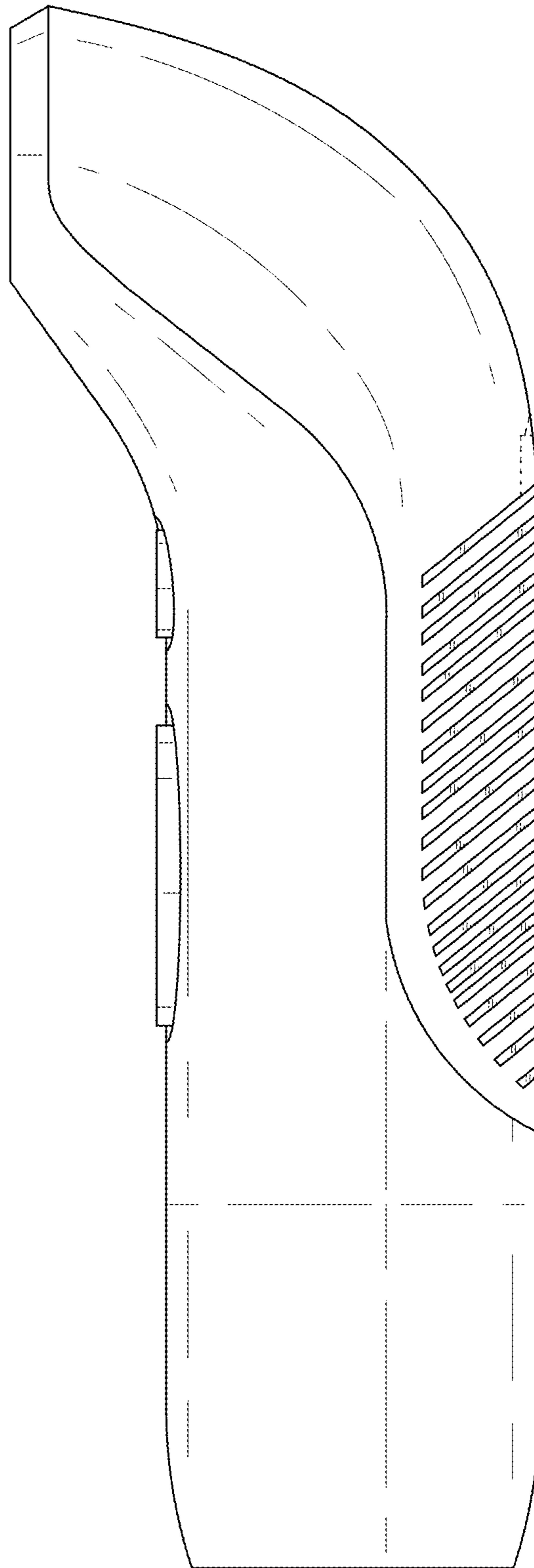


FIG. 4

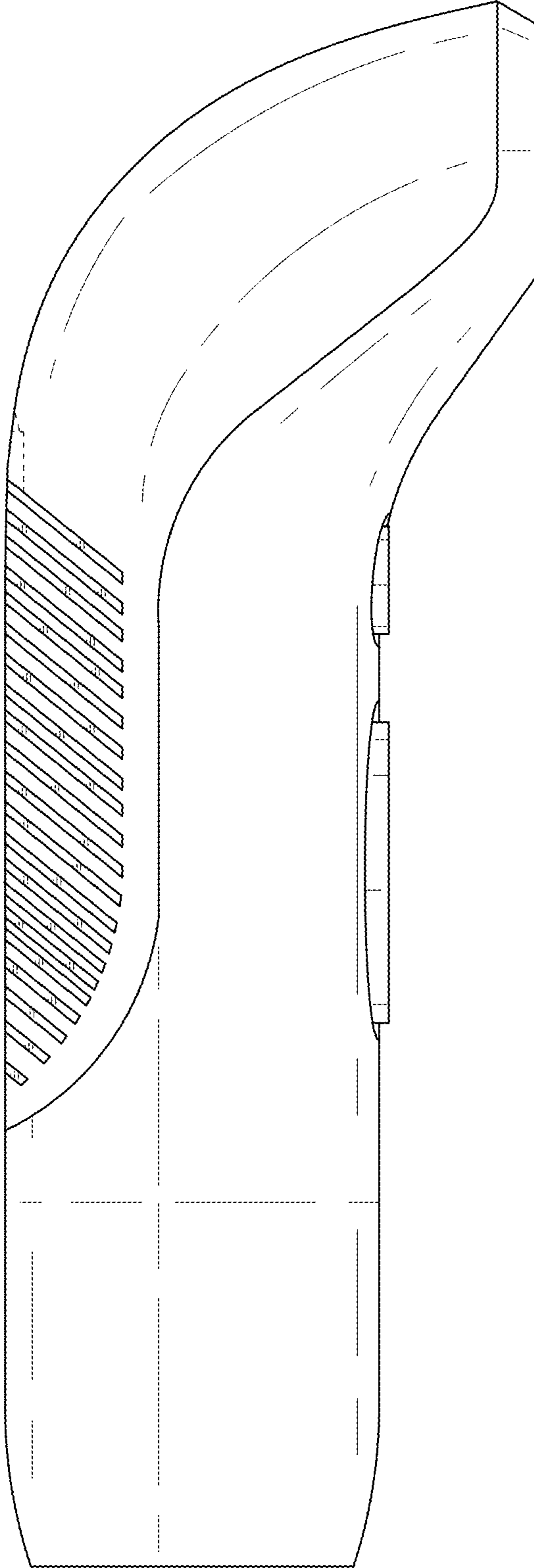


FIG. 5

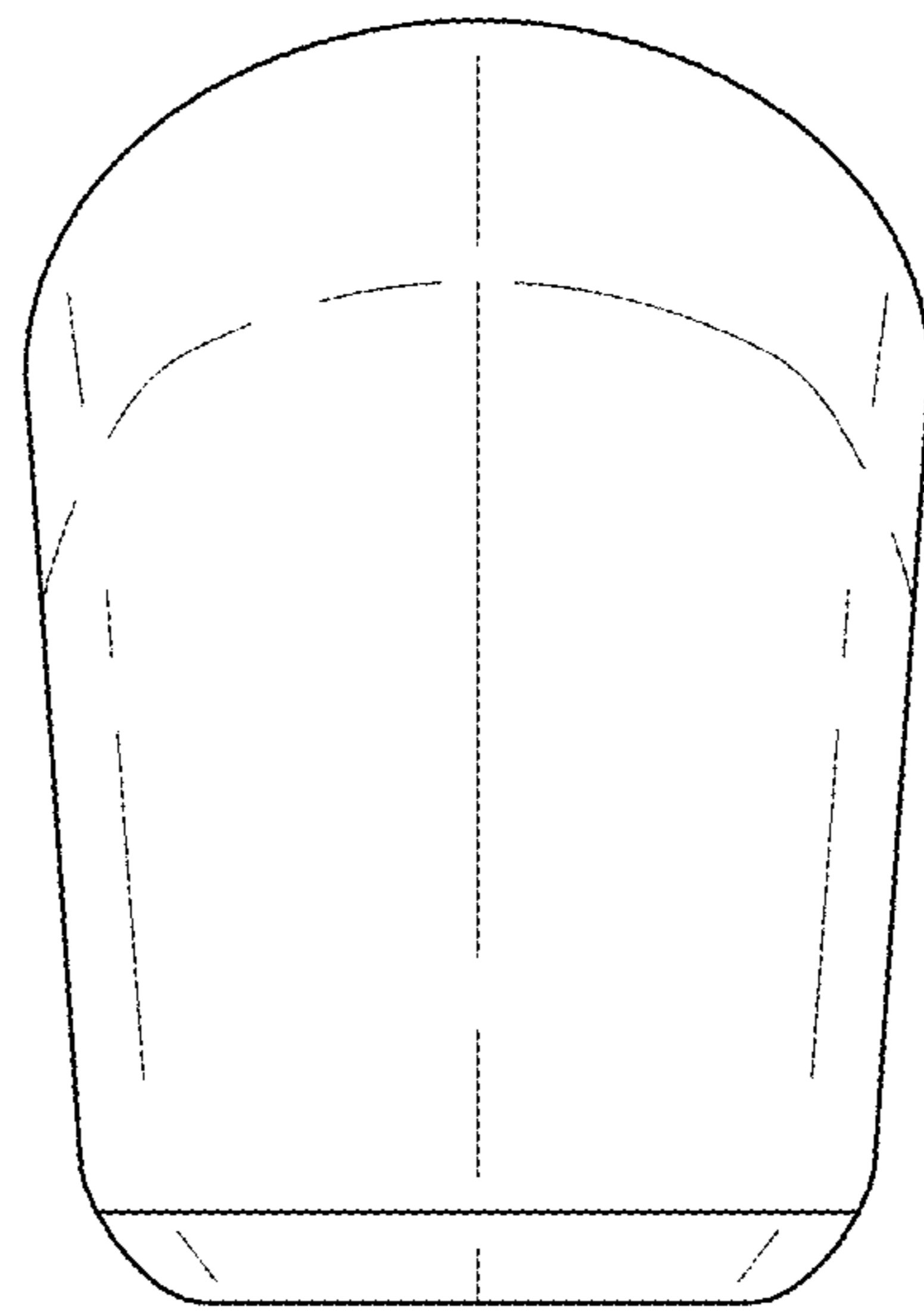


FIG. 6

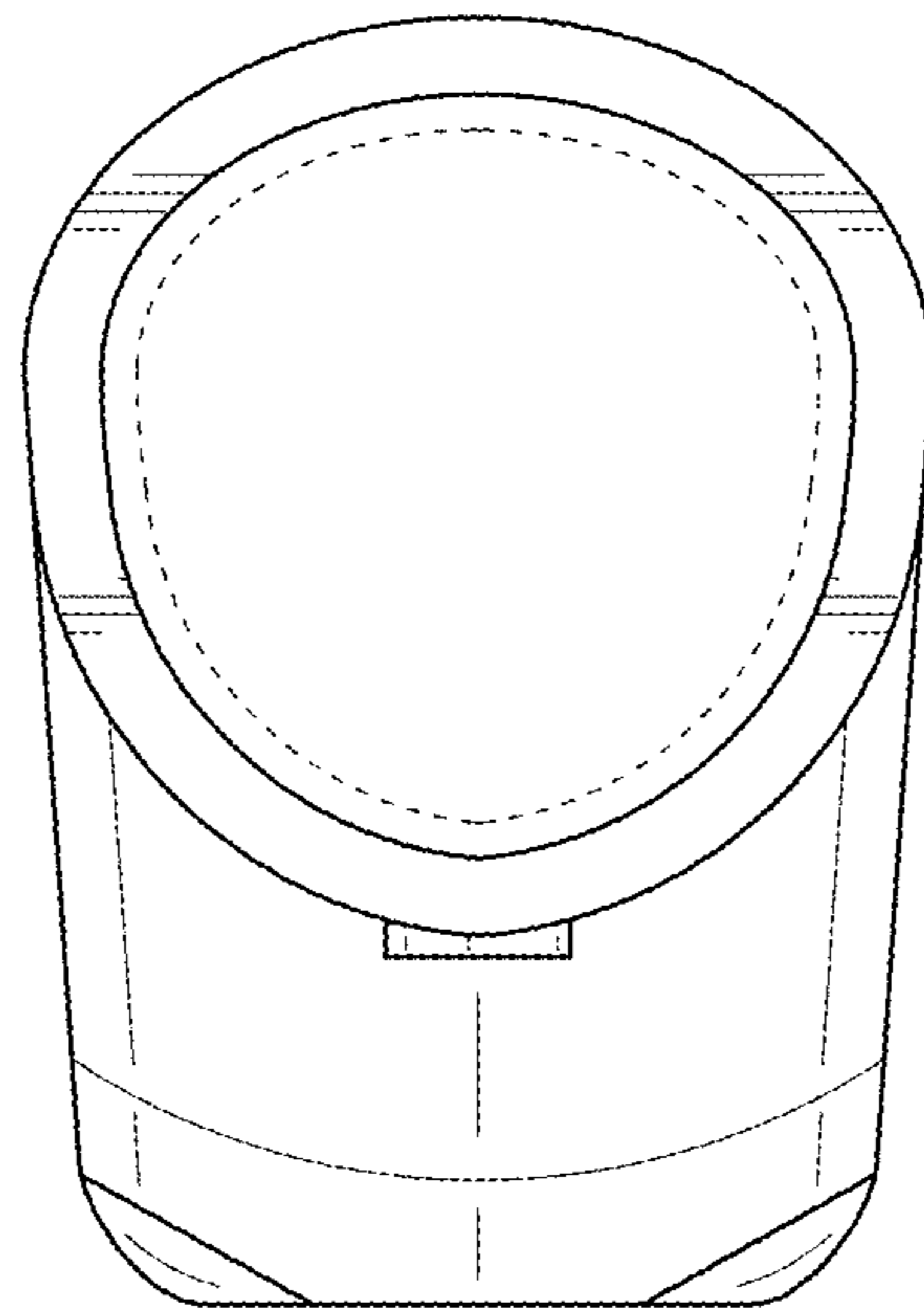


FIG. 7