



US00D935092S

(12) **United States Design Patent** (10) **Patent No.:** **US D935,092 S**  
**Gillespie et al.** (45) **Date of Patent:** **\*\* Nov. 2, 2021**

(54) **CASE FOR CIGARETTE ROLLING PAPER**

(56) **References Cited**

(71) Applicant: **The Lunacy Project Ltd**, Glasgow (GB)

U.S. PATENT DOCUMENTS

(72) Inventors: **James Gillespie**, Glasgow (GB);  
**Alexander Messenger**, Glasgow (GB);  
**Zachary Henry**, Glasgow (GB);  
**Christopher Grant McGeachie**, Glasgow (GB)

5,601,095	A *	2/1997	Bright .....	A24F 19/00
				131/231
D387,473	S *	12/1997	Angelakos .....	D27/135
D527,841	S *	9/2006	Schorkmayr .....	D27/183
D753,875	S *	4/2016	Corcoran .....	D27/183
D790,128	S *	6/2017	Khoury .....	D27/183
D846,188	S *	4/2019	Devore .....	D27/183
D857,986	S *	8/2019	Nellestein .....	D27/183
D875,307	S *	2/2020	Storcks .....	D27/183
D878,673	S *	3/2020	Cheung .....	D27/183
D890,985	S *	7/2020	Attar .....	D27/183
D894,482	S *	8/2020	Schumacher .....	D27/183
D921,286	S *	6/2021	Kesselman .....	D27/183

(\*\*) Term: **15 Years**

(21) Appl. No.: **35/509,609**

\* cited by examiner

(22) Filed: **May 20, 2020**

*Primary Examiner* — Khawaja Anwar

(80) **Hague Agreement Data**

Int. Filing Date: **May 20, 2020**

Int. Reg. No.: **DM/208499**

Int. Reg. Date: **May 20, 2020**

Int. Reg. Pub. Date: **Jun. 12, 2020**

(57) **CLAIM**

The ornamental design for a case for cigarette rolling paper, as shown and described.

(51) **LOC (13) Cl.** ..... **27-06**

(52) **U.S. Cl.**  
USPC ..... **D27/183**

(58) **Field of Classification Search**  
USPC ..... D27/183-193, 72, 180, 172, 102  
CPC ..... A24F 40/10; A24F 40/50; A24F 40/20;  
A24F 40/40; A24F 40/46; A24F 40/485;  
A24F 40/60; A24F 40/30; A24F 40/42;  
A24F 40/51; A24F 40/44; A24F 40/53;  
A24F 40/70; A24F 40/465; A24F 40/48;  
A24F 40/57; A24F 13/24; A24F 25/00;  
A24F 40/65; A24F 40/90; A24F 47/00;  
A24F 13/18; A24F 13/26; A24F 15/12;  
A24F 15/18; A24F 17/00; A24F 40/00;  
A24F 40/80; A24F 42/20; A24F 42/60;  
A24F 7/00; A24F 7/02

See application file for complete search history.

**DESCRIPTION**

1. Case for cigarette rolling paper

1.1 : Perspective

1.2 : Left

1.3 : Right

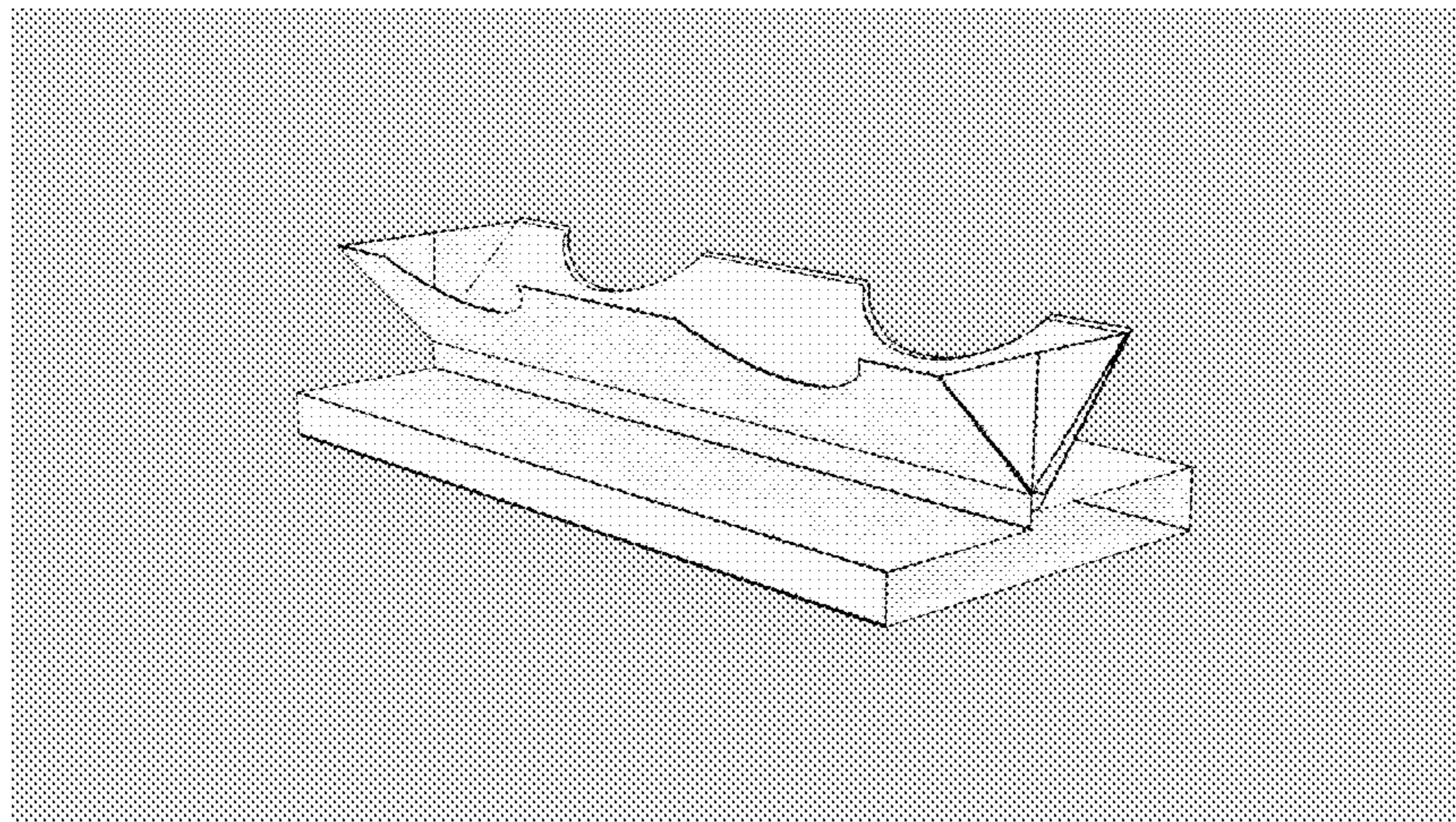
1.4 : Back

1.5 : Top

1.6 : Front

Cigarette rolling papers case with a built in sealable rolling tray; **1.1:** perspective view—displays case fully assembled with sealed rolling tray; **1.2:** left view—displays side angle of case fully assembled with sealed tray; **1.3:** right view—displays side angle of case fully assembled with sealed tray; **1.4:** back view—displays back angle of case fully assembled with sealed tray; **1.5:** top view—displays top view of case

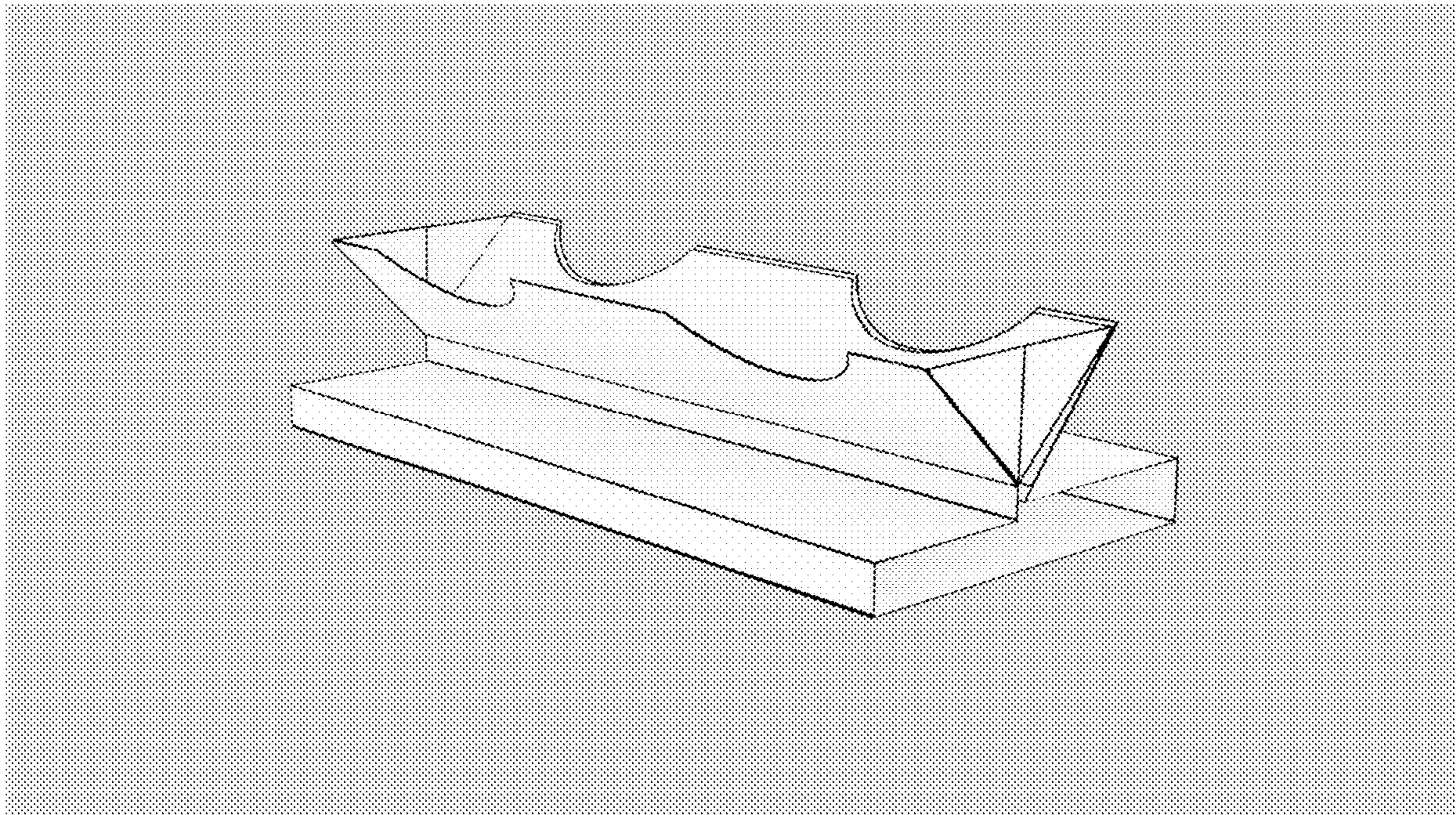
(Continued)



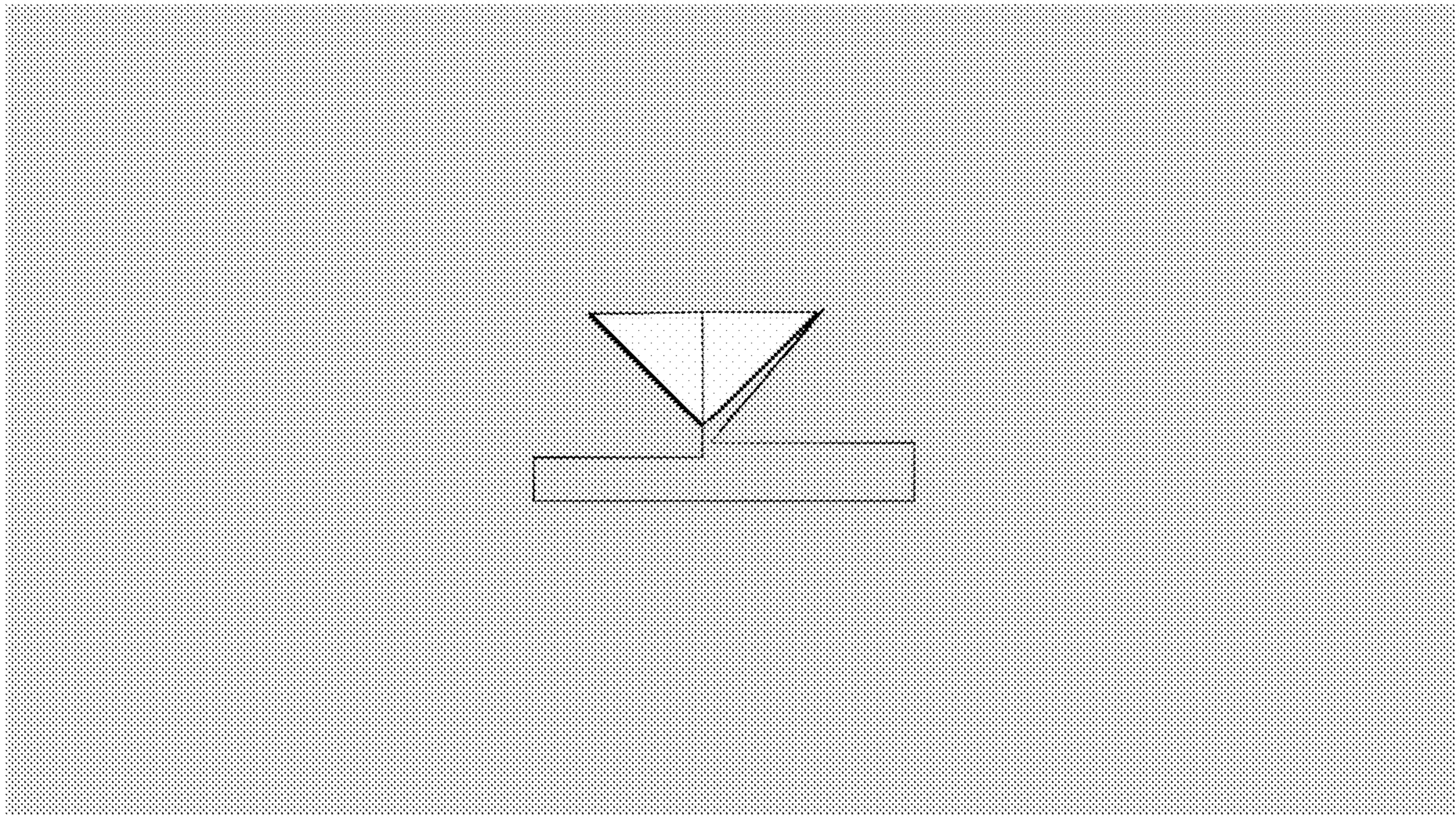
fully assembled with sealed tray; **1.6:** front view—displays front angle of case fully assembled with sealed tray;

**1 Claim, 6 Drawing Sheets**

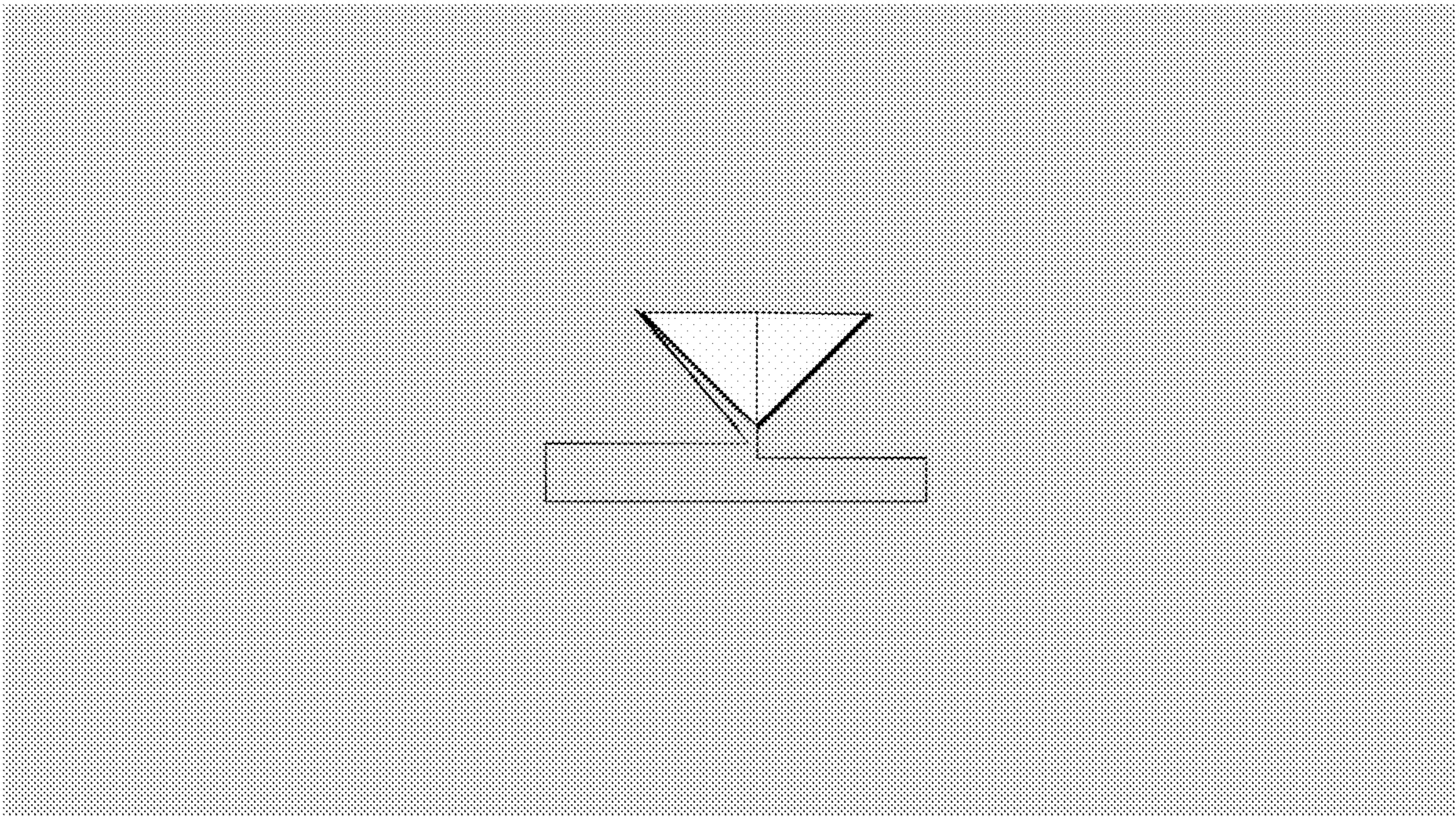
1.1



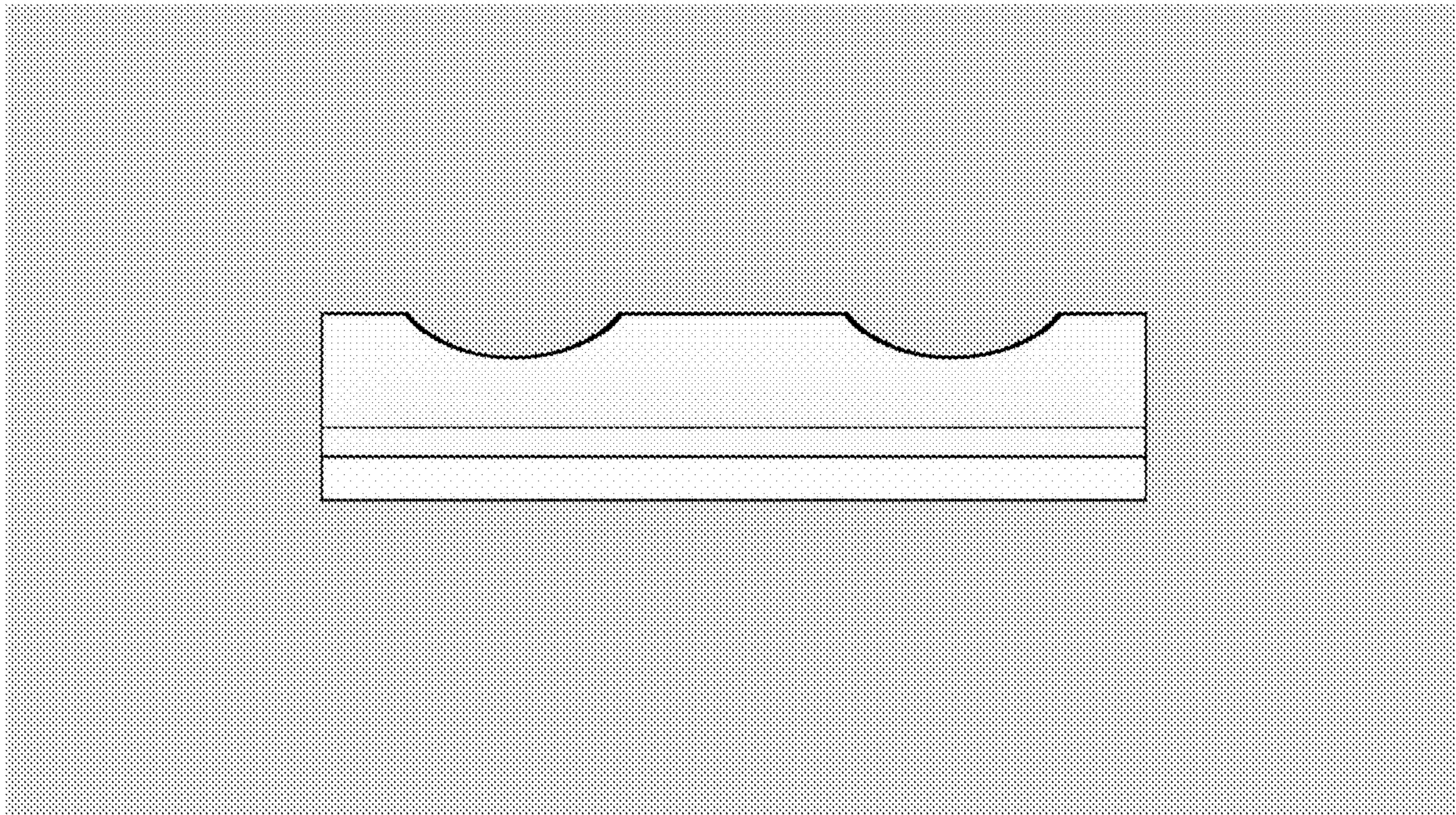
1.2



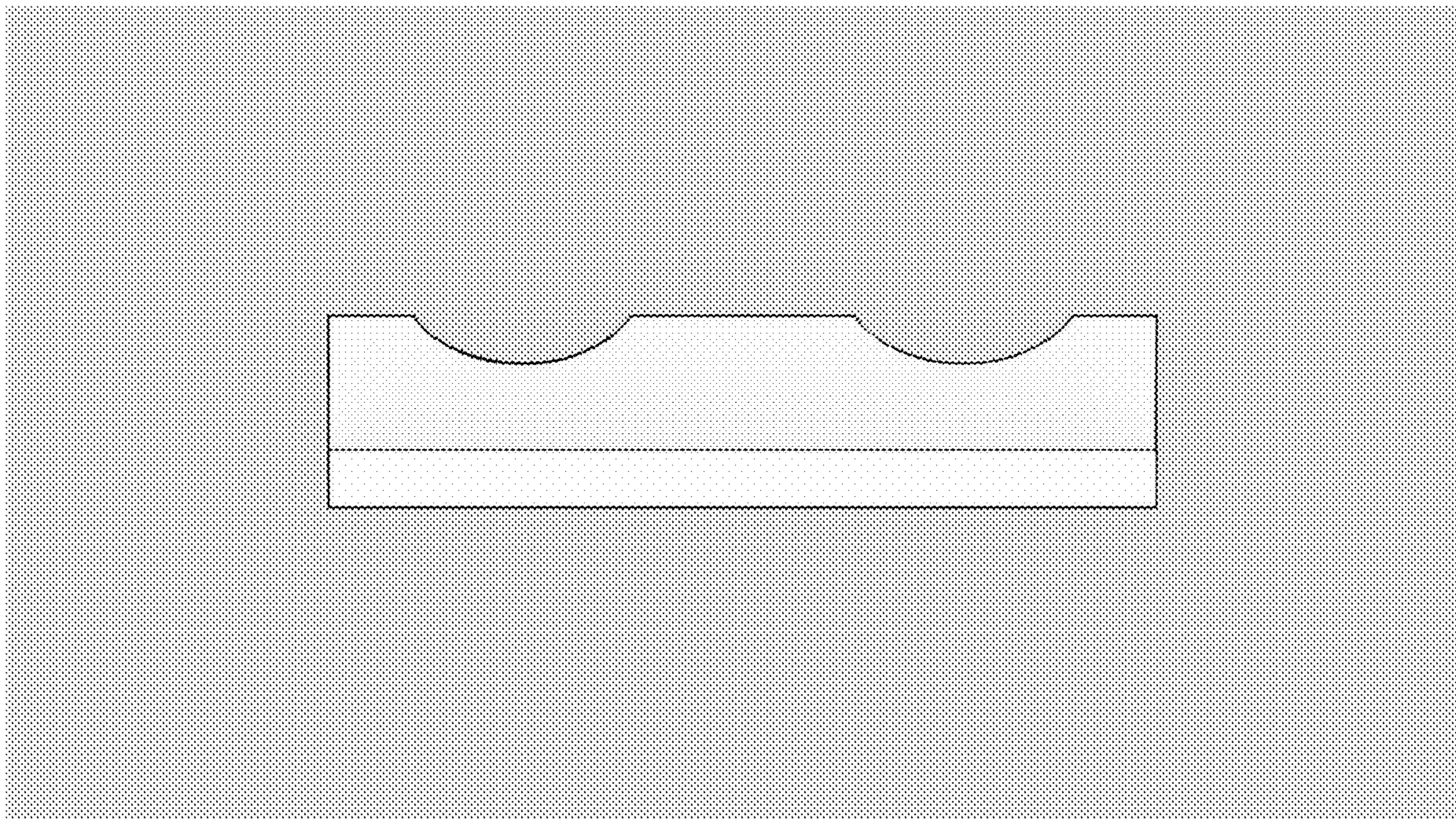
1.3



1.4



1.5



1.6

