



US00D935091S

(12) **United States Design Patent** (10) **Patent No.:** **US D935,091 S**
Smith (45) **Date of Patent:** **** Nov. 2, 2021**

(54) **VAPORIZER DEVICE**

FOREIGN PATENT DOCUMENTS

(71) Applicant: **Organicix, LLC**, Las Vegas, NV (US)

EM 006623161-0001 * 7/2019

(72) Inventor: **Cortney Smith**, Las Vegas, NV (US)

EM 007747100-0001 * 4/2020

WO 004729507-0009 * 8/2020

(73) Assignee: **ORGANICIX, LLC**, Las Vegas, NV (US)

OTHER PUBLICATIONS

(**) Term: **15 Years**

IQ2 Vaporizer. By Davinci. Dated 2020. Found online [Oct. 19, 2020].<https://www.davincivaporizer.com/iq2-vaporizer/> (Year: 2020).*

(Continued)

(21) Appl. No.: **29/705,707**

Primary Examiner — Marissa J Cash

(22) Filed: **Sep. 13, 2019**

Assistant Examiner — William B Melliar

(51) **LOC (13) Cl.** **27-02**

(74) *Attorney, Agent, or Firm* — Nguyen Tarbet LLC

(52) **U.S. Cl.**

USPC **D27/162**

(58) **Field of Classification Search**

USPC D27/100, 101, 162, 163, 164, 165, 166, D27/167, 168, 169, 183, 184, 185; D24/110

(57) **CLAIM**

CPC A24F 47/008; A24F 40/10; A24F 40/42; A24F 40/51; A24F 47/00; A24F 40/40; A24F 40/46; A24F 40/50; A24F 40/60; A24F 40/53; A24F 40/90; A24F 40/20; A24F 40/485; A24F 40/57; A24F 40/65; A24F 40/44; A24F 47/002; A24F 40/48; A24F 40/70; A24F 13/00; A24F 40/30; A24F 40/95; A24F 42/60; A24F 7/00; A24F 40/465; A24F 42/10; A24F 42/20; A24F 1/00; A24F 1/32; A24F 40/00; A24F 42/00; A24F 47/004; A24F 47/006; A24F 7/02; A24F 40/05; A61M 11/042; A61M 15/06; A61M 2205/8206; A61M 11/005; A61M 2202/064; A61M 2205/3653; A61M 2205/50; A61M 15/0001; A61M 15/003;

The ornamental design for a vaporizer device, as shown and described.

DESCRIPTION

FIG. 1 is a front view of a vaporizer device showing the new design;
FIG. 2 is a back view thereof;
FIG. 3 is a left side view thereof;
FIG. 4 is a right side thereof;
FIG. 5 is a top view thereof;
FIG. 6 is a bottom view thereof;
FIG. 7 is a top front right perspective view thereof;
FIG. 8 is a top front left perspective view thereof;
FIG. 9 is a bottom back left perspective view thereof; and,
FIG. 10 is a bottom back right perspective view thereof.
In FIGS. 1, 7, and 8, the array of circles is a surface ornamentation applied to the vaporizer device.
In FIGS. 1-2 and 5-10, the broken line structures depict portions of the vaporizer device that form no part of the claimed design.

(Continued)

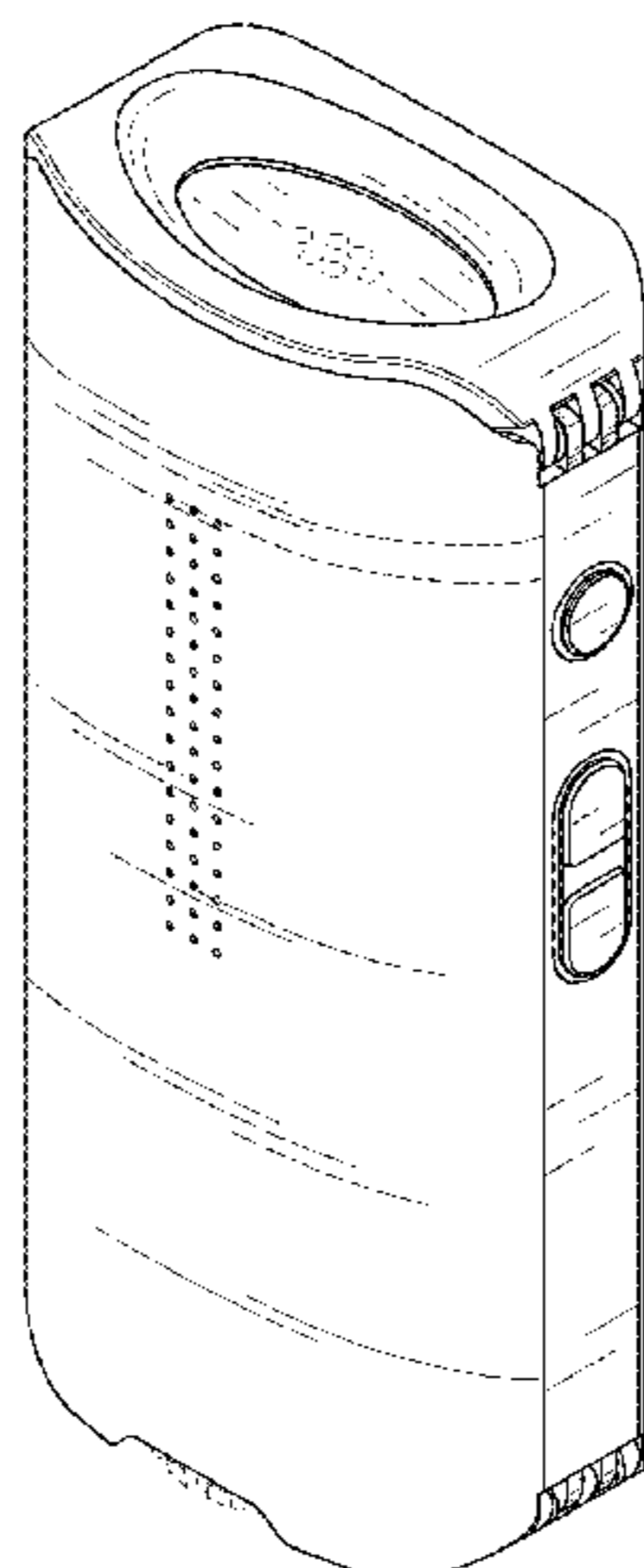
(56) **References Cited**

U.S. PATENT DOCUMENTS

D208,371 S 8/1967 Mizutani
D226,221 S 1/1973 Sadao

(Continued)

1 Claim, 6 Drawing Sheets



(58) **Field of Classification Search**

CPC A61M 15/009; A61M 16/0003; A61M 2016/0027; A61M 11/044; A61M 15/0021; A61M 15/0041; A61M 15/0065; A61M 15/0085; A61M 2016/0024; A61M 2202/0007; A61M 2205/3334; A61M 2205/584; A61M 2205/587; A61M 2205/8256; A61M 2206/16; A61M 11/003; A61M 11/047; A61M 11/06; A61M 15/0003; A61M 15/0028; A61M 2205/0211; A61M 2205/273; A61M 2205/3317; A61M 2205/3331; A61M 2205/3368; A61M 2205/3379; A61M 2205/3561; A61M 2205/52; A61M 2205/581; A61M 2205/582; A61M 2205/75; A61M 2205/8243; A61M 37/0015; A61M 15/0035; A61M 15/004; A61M 2016/0015; A61M 2016/003; A61M 2021/0016; A61M 2037/0023; A61M 2037/0061; A61M 21/00; A61M 21/02; A61M 2205/502; A24B 15/167; A24B 15/16; A24B 13/00; A24B 15/00; A24B 15/10; A24B 15/14; A24B 15/165; A24B 15/186; A24B 15/20; A24B 15/243; A24B 15/245; A24B 15/283; A24B 15/284; A24B 15/286; A24B 15/30; A24B 15/32; A24B 15/34; A24B 15/403; A24D 1/20; A24D 1/002; A24D 1/14; A24D 3/048; A24D 1/025; A24D 3/04; A24D 3/061; A24D 3/14; A24D 3/17; A24D 1/045

See application file for complete search history.

(56) **References Cited**

U.S. PATENT DOCUMENTS

D229,964 S 1/1974 Sadao
D233,944 S 12/1974 Toiseux

D235,457 S 6/1975 Takashima
D260,943 S 9/1981 Stutzer et al.
D489,478 S 5/2004 Shioi
D522,640 S 6/2006 Miró
D551,799 S 9/2007 Smith
D596,281 S 7/2009 Schwartz et al.
D640,360 S 6/2011 Boshuizen et al.
D670,370 S 11/2012 Olchovy et al.
D681,267 S 4/2013 Touzjian
D707,339 S 6/2014 Garbusi et al.
D716,997 S 11/2014 Freeland
D806,311 S * 12/2017 Smith D27/162
D806,850 S 1/2018 D'Amico
D828,950 S 9/2018 Gu
D851,328 S * 6/2019 Smith D27/162
D854,237 S * 7/2019 Smith D27/162
D854,741 S * 7/2019 Smith D27/162
D869,086 S * 12/2019 Pan D27/162
D898,280 S * 10/2020 Li D27/162
D907,288 S * 1/2021 Liu D27/162
D911,599 S * 2/2021 Sun D27/162

OTHER PUBLICATIONS

What are the Differences Between the IQ and IQ2 Vaporizer. By DaVinci Vaporizer. Dated 2019. Found online [Oct. 19, 2020]. <https://www.youtube.com/watch?v=PlkKymGawIQ> (Year: 2019).*
“Flowermate v5 pro” Found online Apr. 10, 2018 at www.planetofthevapes.com. Page dated Nov. 2, 2016. Retrieved from <https://www.planetofthevapes.com/products/flomermate-v5-pro>.
“Davinici Vaporizer” Found online Apr. 10, 2018 at www.davincivaporizer.com Page dated Nov. 23, 2016. Retrieved from <https://www.davincivaporizer.com/iq-vaporizer/>.
Non Final Rejection issued in U.S. Appl. No. 29/600,786, dated Jul. 13, 2018.
Flowermate Mini V5.0S Review, dated May 12, 2015. found online [9/21/2018] <http://www.getavape.com/2015/05/12/U-flowermate-mini/>.
Final Rejection issued in U.S. Appl. No. 29/600,786, dated Dec. 18, 2018.
Non-Final Office Action Issued for U.S. Appl. No. 29/644,286 dated Jan. 22, 2019.

* cited by examiner

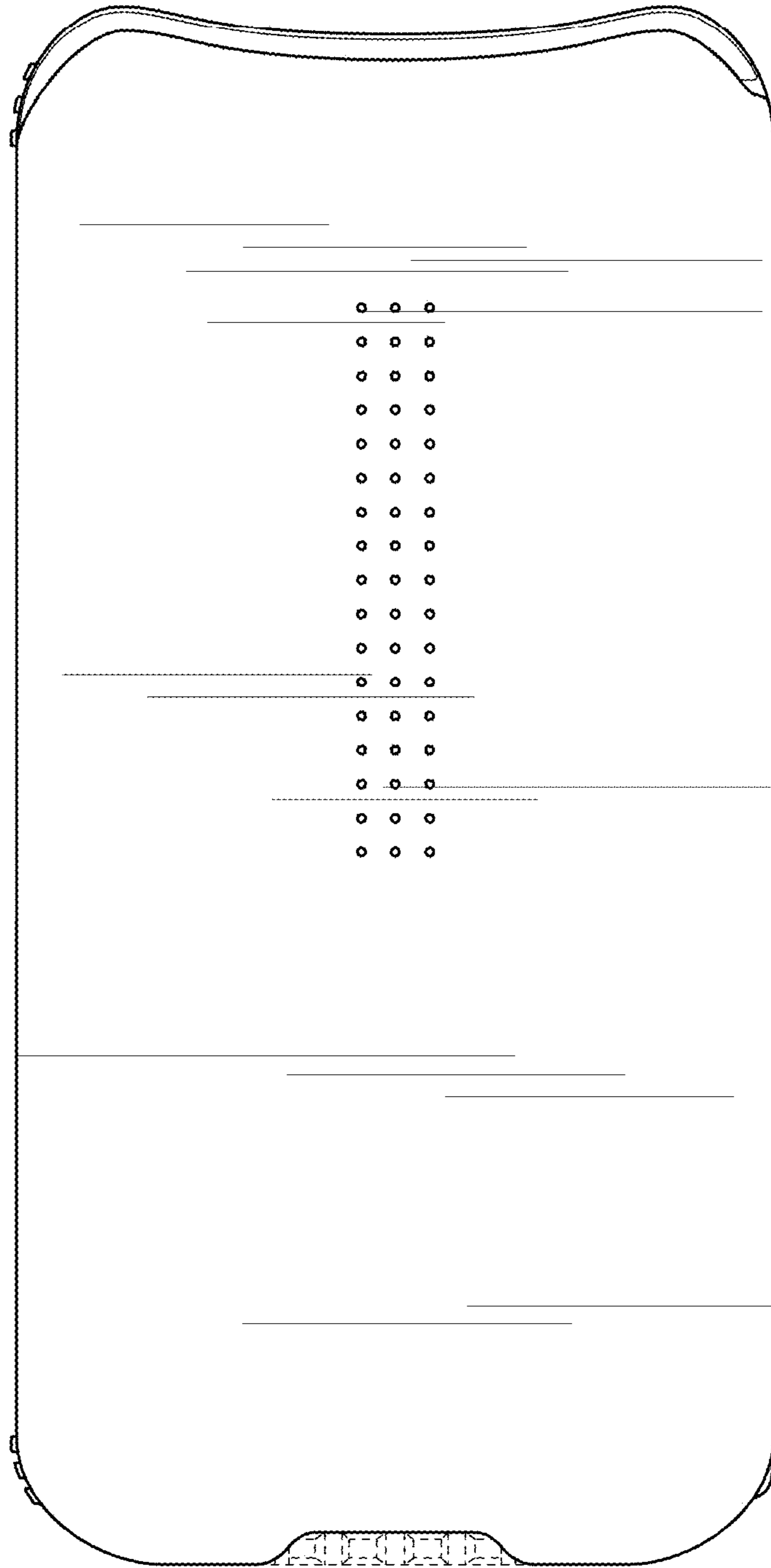


FIG. 1

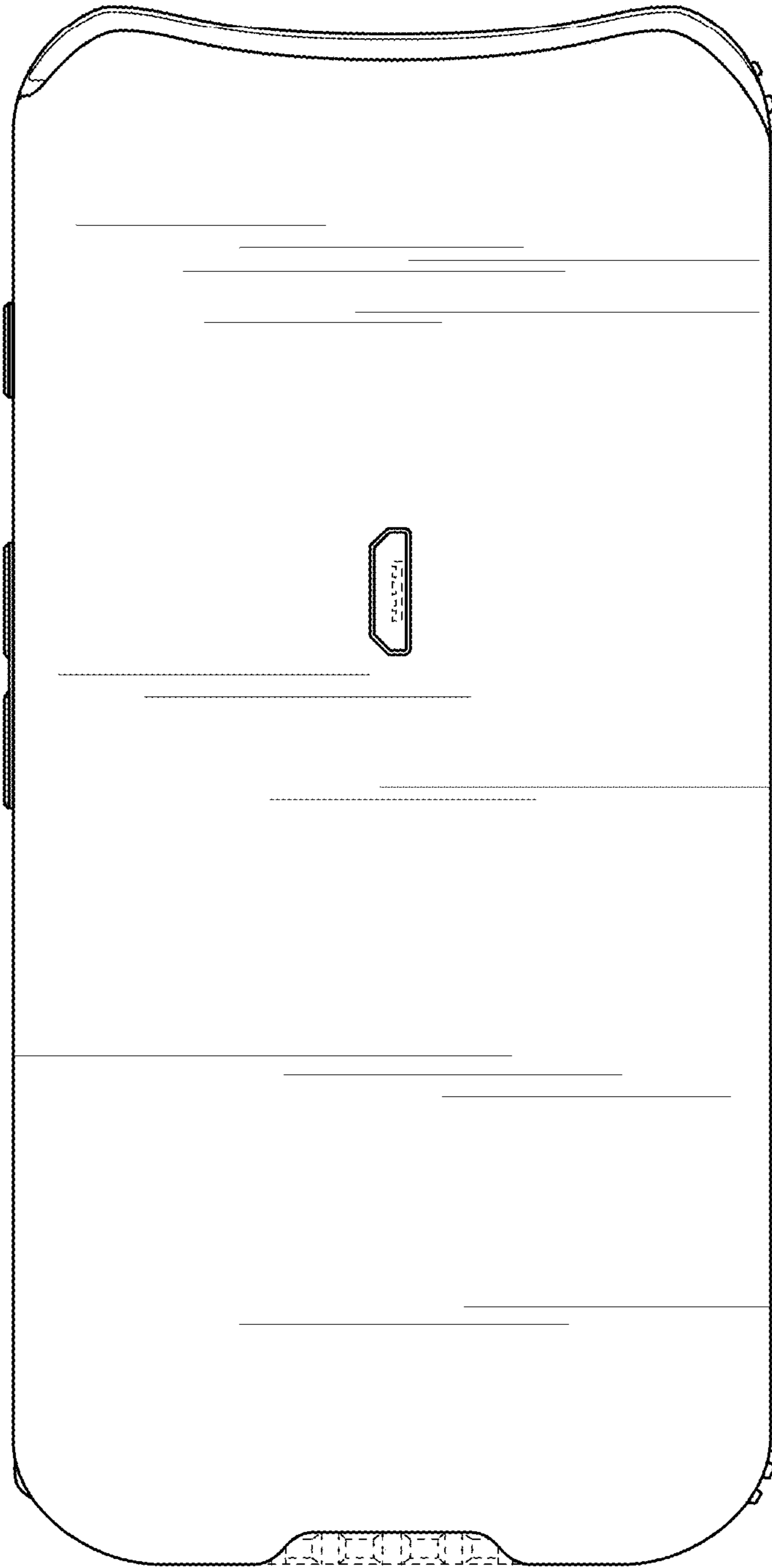


FIG. 2

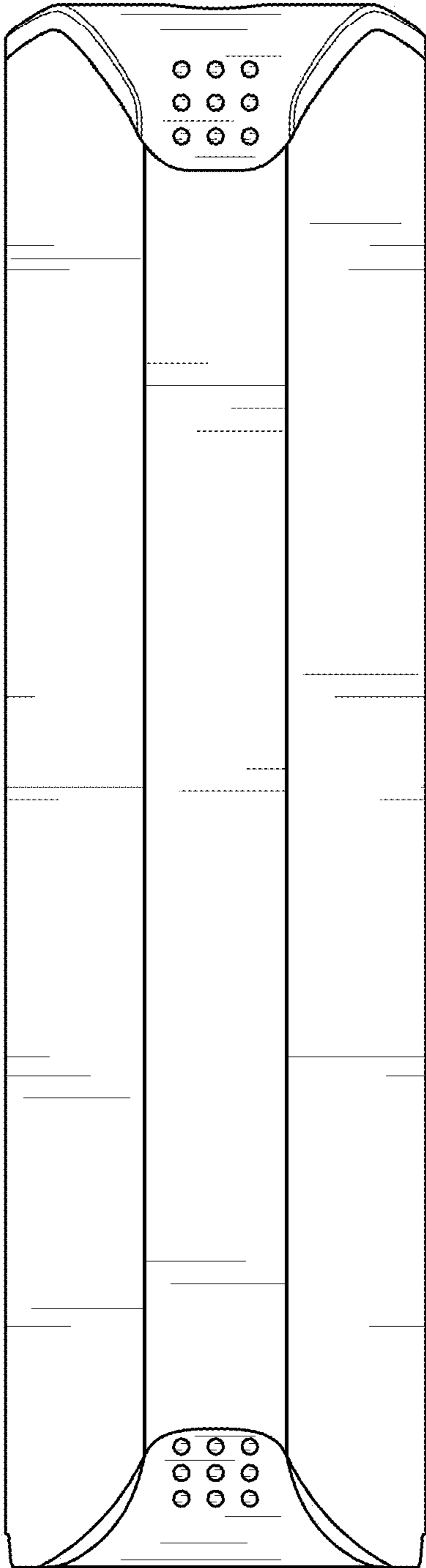


FIG. 3

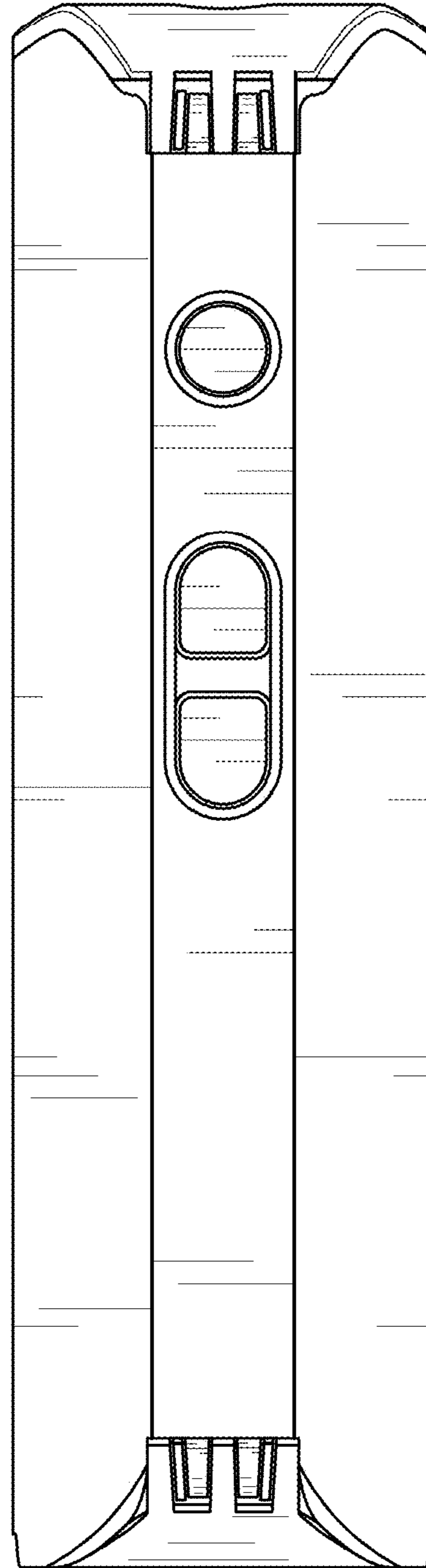


FIG. 4

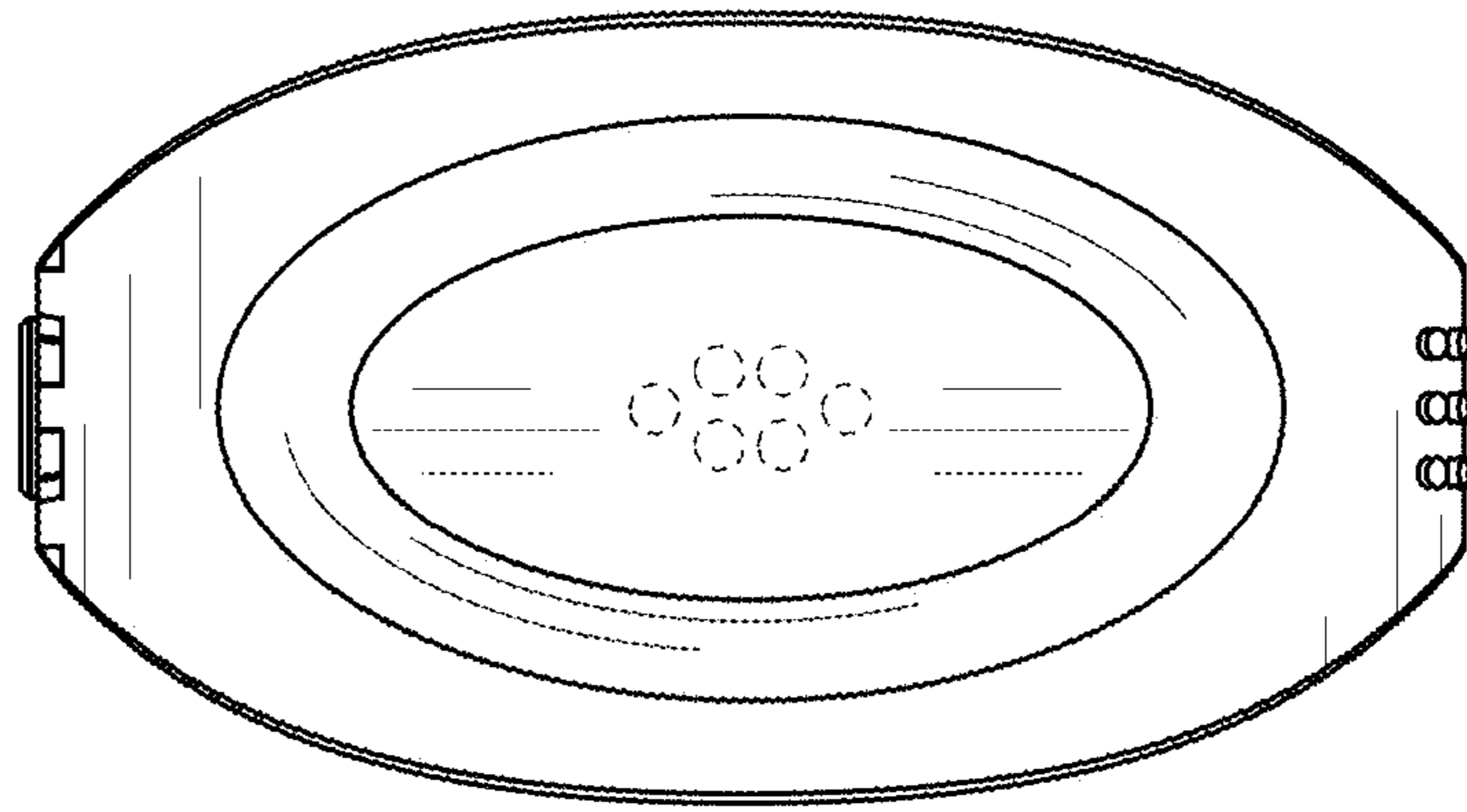


FIG. 5

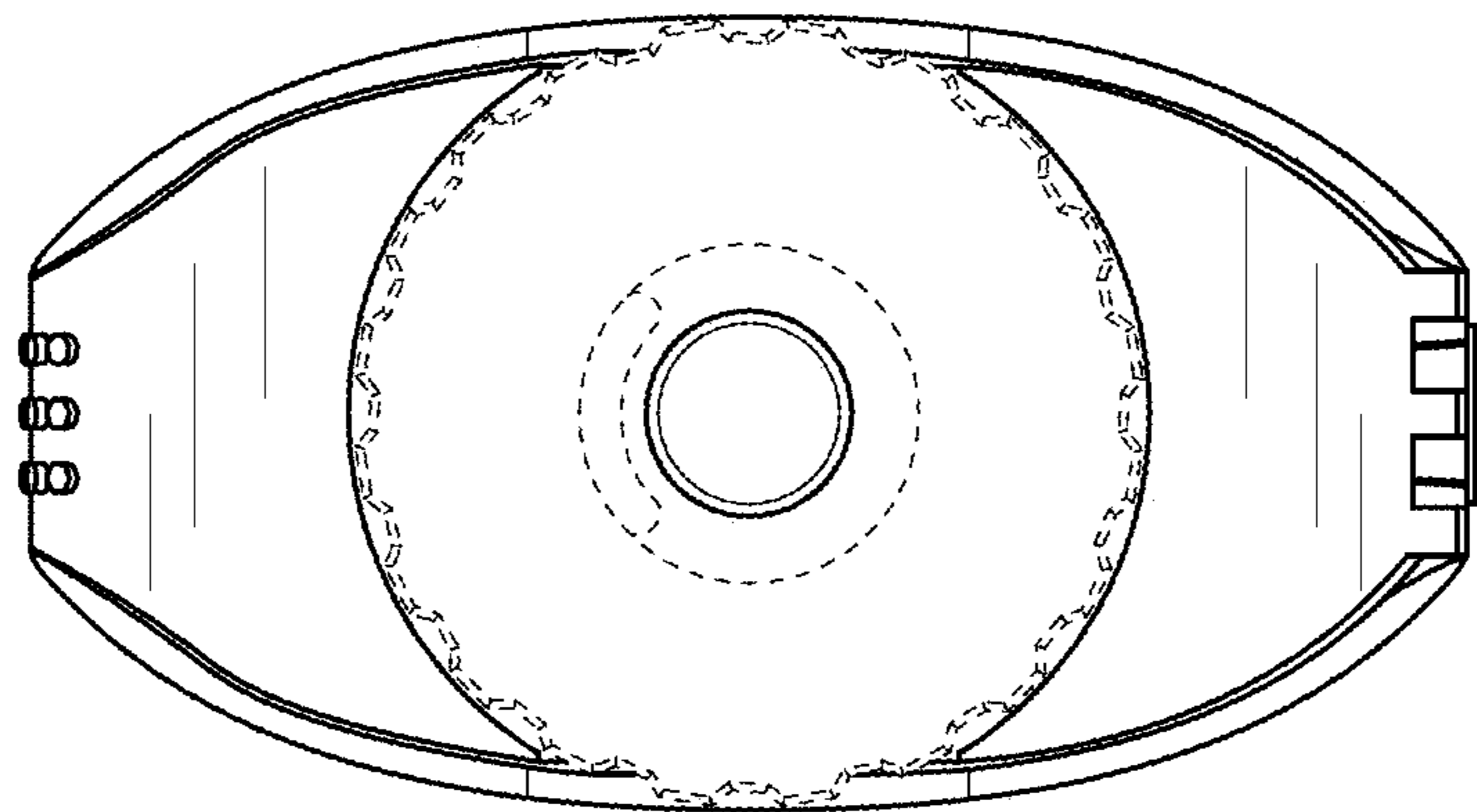


FIG. 6

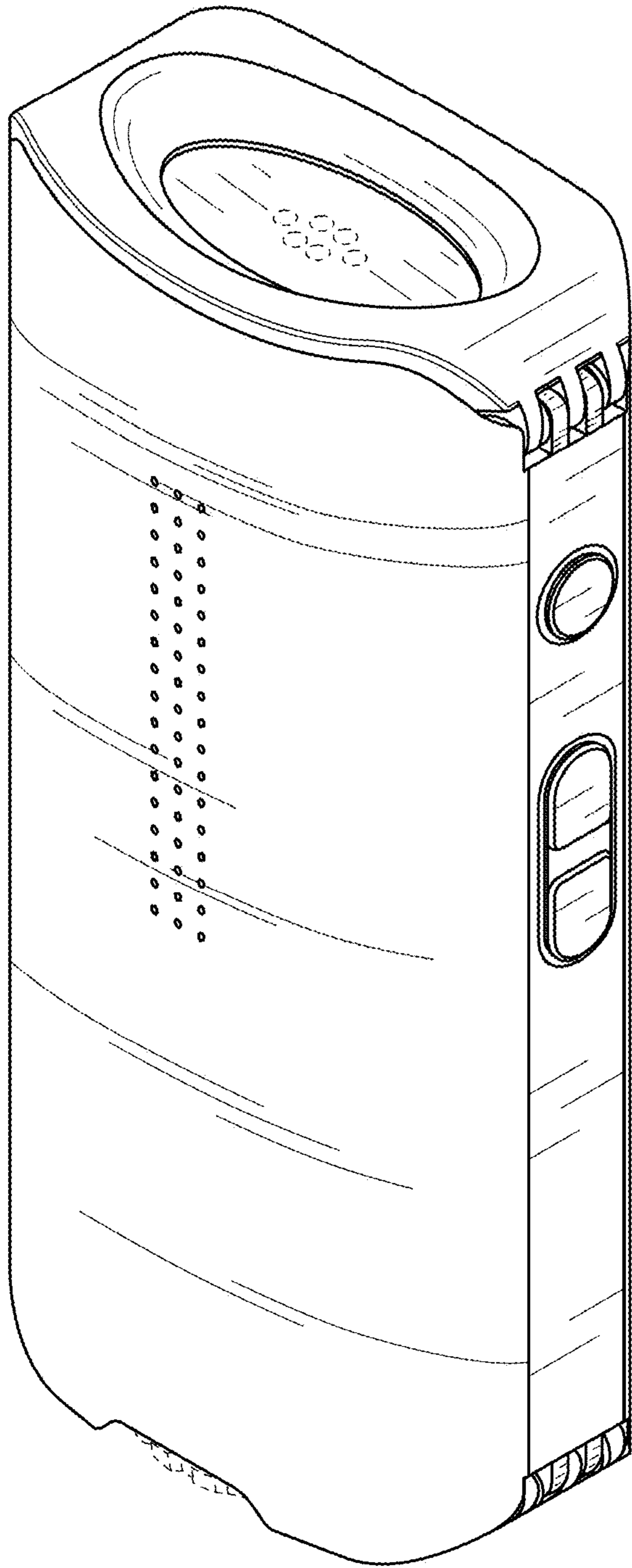


FIG. 7

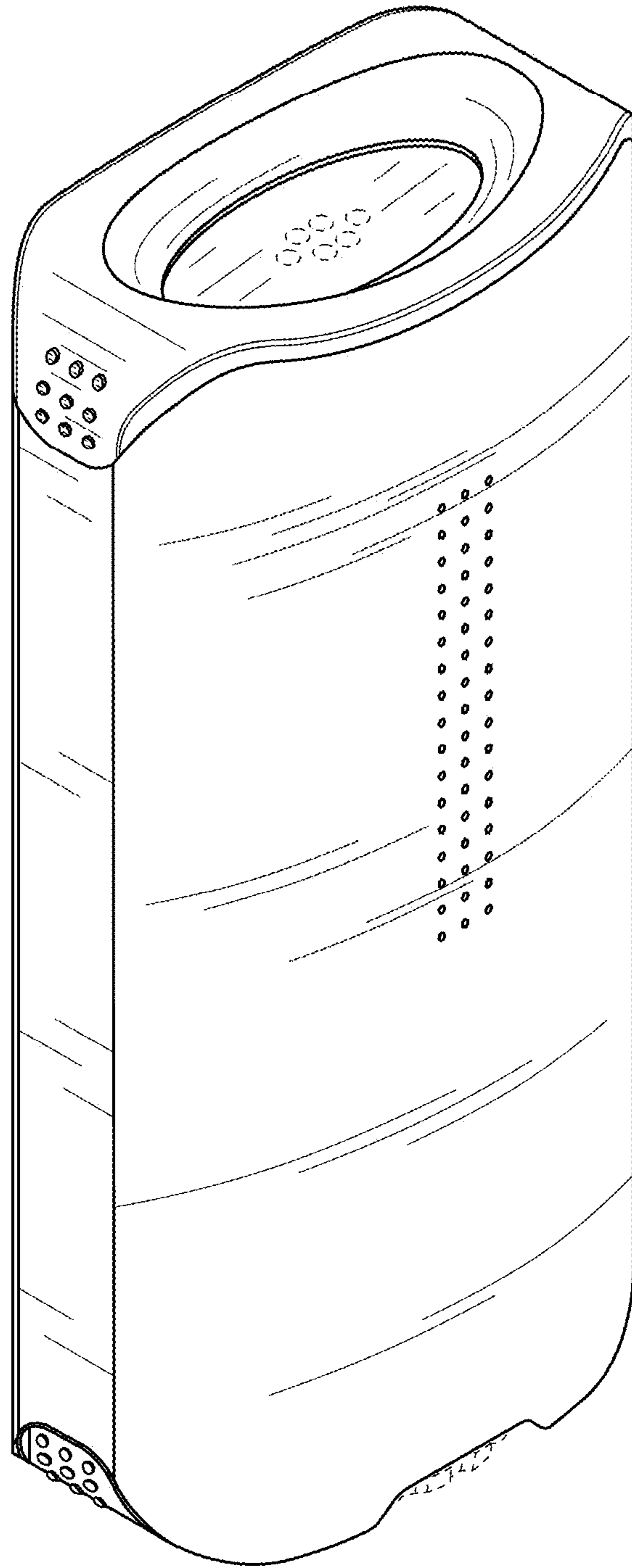


FIG. 8

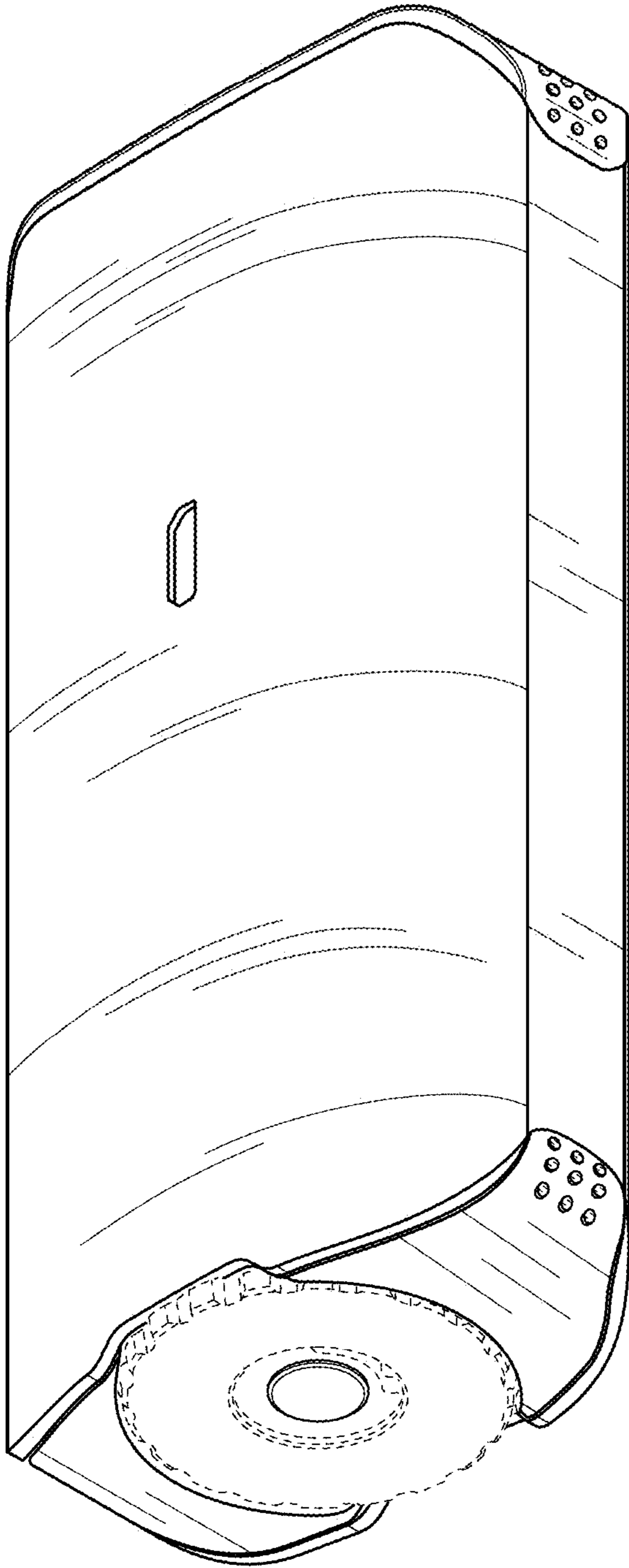


FIG. 9

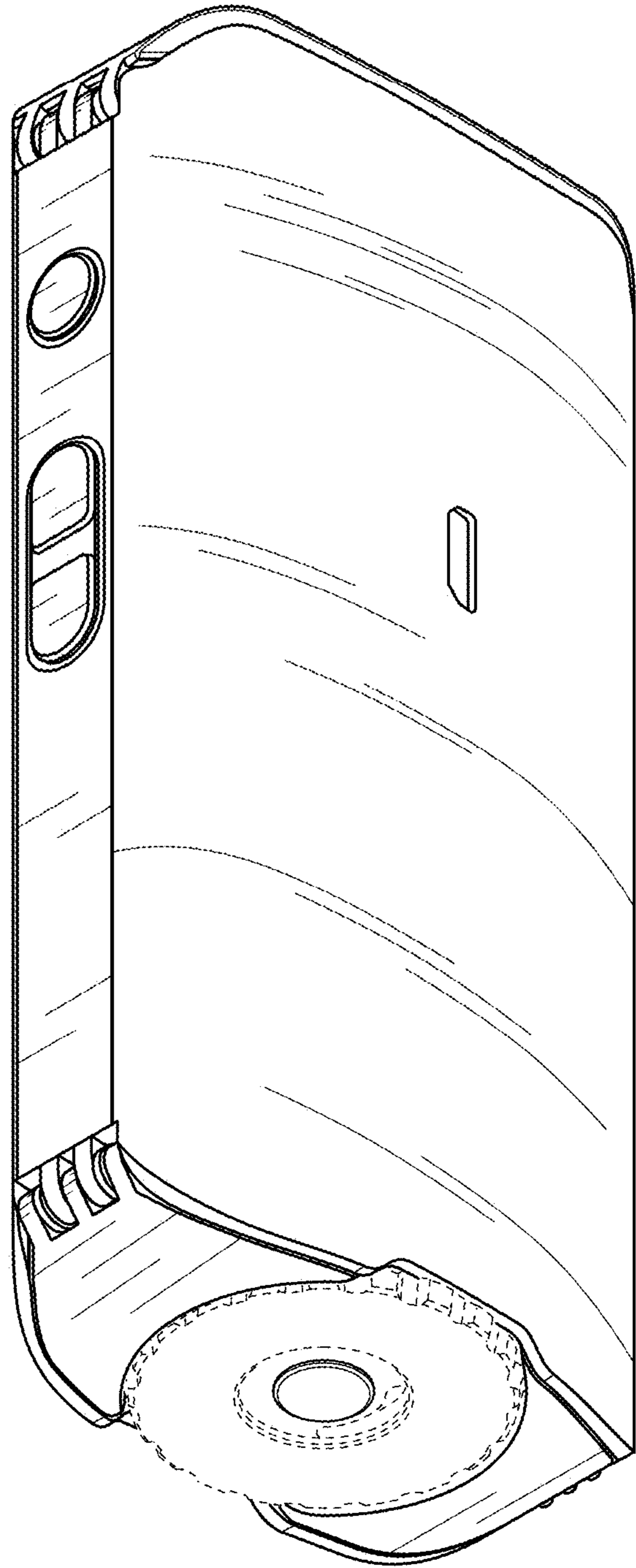


FIG. 10