



US00D935090S

(12) **United States Design Patent**
Van Der Schyf et al.

(10) **Patent No.:** **US D935,090 S**

(45) **Date of Patent:** **** Nov. 2, 2021**

- (54) **PORTION OF A LUMINAIRE**
- (71) Applicants: **Marthinus Christoffel Van Der Schyf**,
Austin, TX (US); **Jonathan Becker Schmidt**, Round Rock, TX (US);
Kenneth B. Frame, Spring, TX (US)
- (72) Inventors: **Marthinus Christoffel Van Der Schyf**,
Austin, TX (US); **Jonathan Becker Schmidt**, Round Rock, TX (US);
Kenneth B. Frame, Spring, TX (US)

- D169,999 S * 7/1953 Ainsworth D26/78
- D214,724 S * 7/1969 Ferdinand D25/121
- 5,803,585 A * 9/1998 Littman F21S 8/028
362/147
- D547,481 S * 7/2007 Tseng D26/75
- D653,791 S * 2/2012 Toyohisa D26/80
- 8,960,951 B1 * 2/2015 Rao F21K 9/27
362/217.14
- 9,239,134 B1 * 1/2016 Macias F21V 23/001
- 9,541,261 B2 1/2017 Klase et al.
- D799,734 S * 10/2017 Zolotykh D26/79
- D809,701 S * 2/2018 Tweel D26/118
- D819,875 S * 6/2018 Yorio D26/118

(Continued)

- (73) Assignee: **Fluence Bioengineering, Inc.**, Austin, TX (US)

Primary Examiner — Mark A Goodwin

Assistant Examiner — Benjamin M Weeks

- (**) Term: **15 Years**

(74) *Attorney, Agent, or Firm* — Edward S. Podszus

- (21) Appl. No.: **29/699,998**

(57) **CLAIM**

- (22) Filed: **Jul. 30, 2019**

The ornamental design for a portion of a luminaire, as shown and described.

- (51) **LOC (13) Cl.** **26-05**

DESCRIPTION

- (52) **U.S. Cl.**

USPC **D26/138**

- (58) **Field of Classification Search**

USPC D26/76, 78, 79, 80, 81, 82, 83, 85, 86,
D26/88, 90, 113, 118, 119, 120, 121, 122,
D26/138, 139, 140, 141, 142

CPC F21S 2/00; F21S 4/00; F21S 4/003; F21S
4/005; F21S 4/006; F21S 4/007; F21S
4/008; F21S 6/00; F21S 8/00; F21S
8/024; F21S 8/026; F21S 8/031; F21S
8/033; F21S 8/035-037; F21S 8/04; F21S
8/043; F21S 8/063

See application file for complete search history.

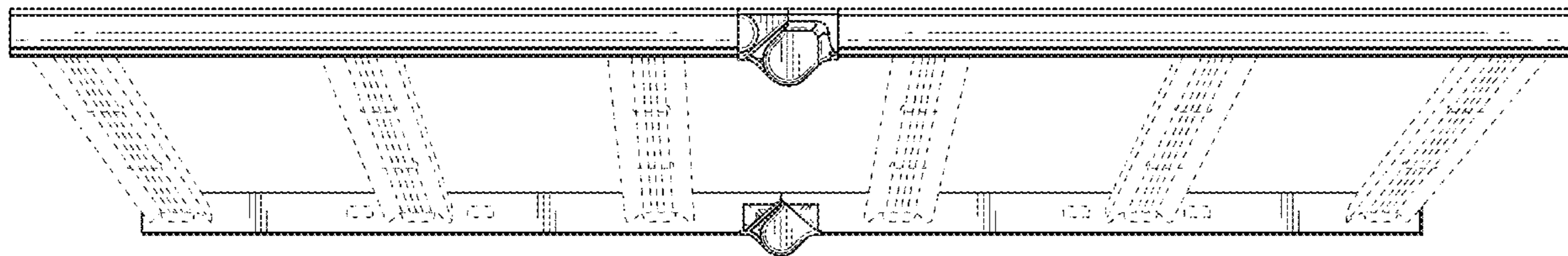
FIG. 1 is a side perspective view of the new design for a portion of a luminaire;
 FIG. 2 is an enlarged detail right side elevational view of FIG. 1 thereof with a portion removed for clarity of illustration;
 FIG. 3 is an enlarged detail left side elevational view of FIG. 1 thereof with a portion removed for clarity of illustration;
 FIG. 4 is a right end elevational view thereof, the left end view being the same;
 FIG. 5 is an enlarged detail bottom plan view of FIG. 1 thereof with a portion removed for clarity of illustration; and,
 FIG. 6 is an enlarged detail top plan view of FIG. 1 thereof with a portion removed for clarity of illustration.
 The broken line disclosure represents portions of the portion of a luminaire that form no part of the claimed design.

- (56) **References Cited**

U.S. PATENT DOCUMENTS

- D105,885 S * 8/1937 McDonald D6/566
- D121,591 S * 7/1940 Heath D26/78
- D162,278 S * 3/1951 Ainsworth D26/78

1 Claim, 6 Drawing Sheets



(56)

References Cited

U.S. PATENT DOCUMENTS

D863,656 S * 10/2019 Klase D26/113
D895,890 S * 9/2020 Klase D26/113
D910,898 S * 2/2021 Chen D26/76

* cited by examiner

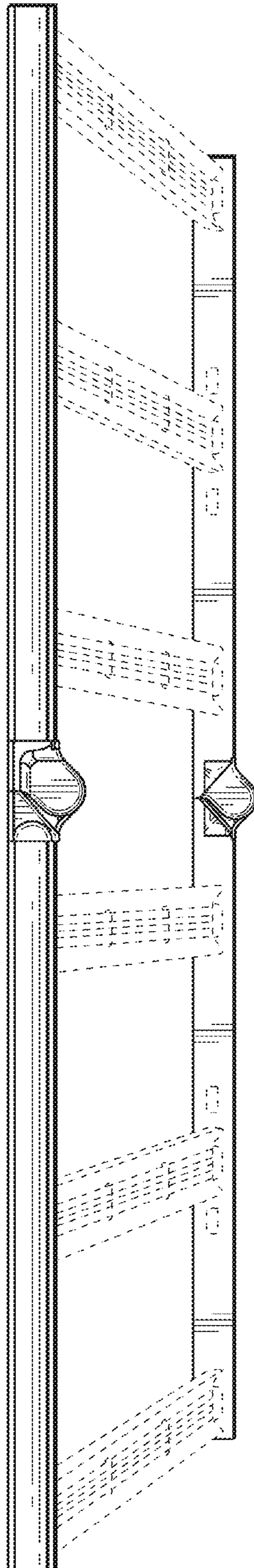


FIG. 1

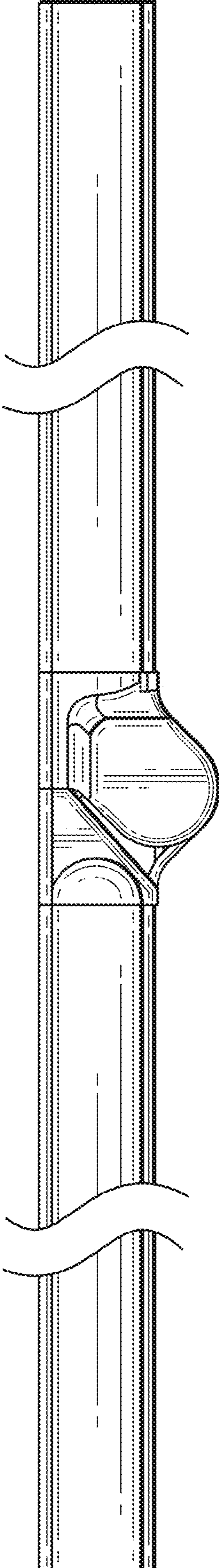


FIG. 2

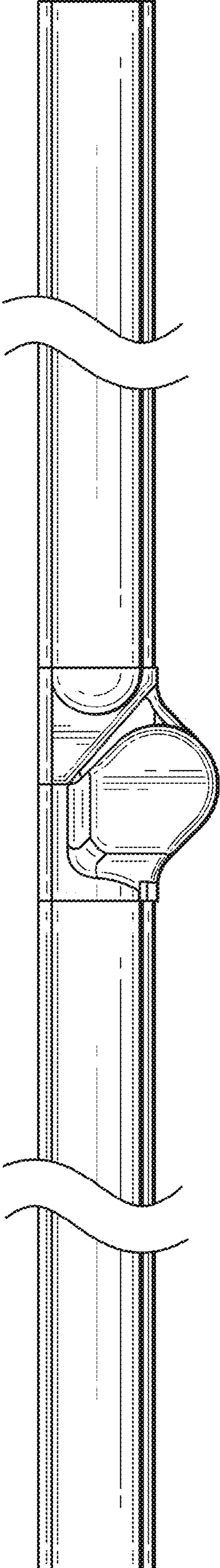


FIG. 3

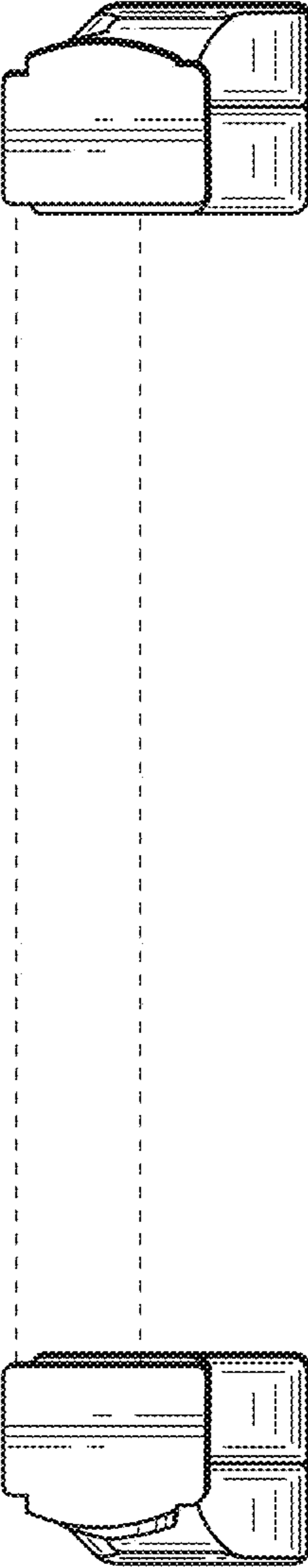


FIG. 4

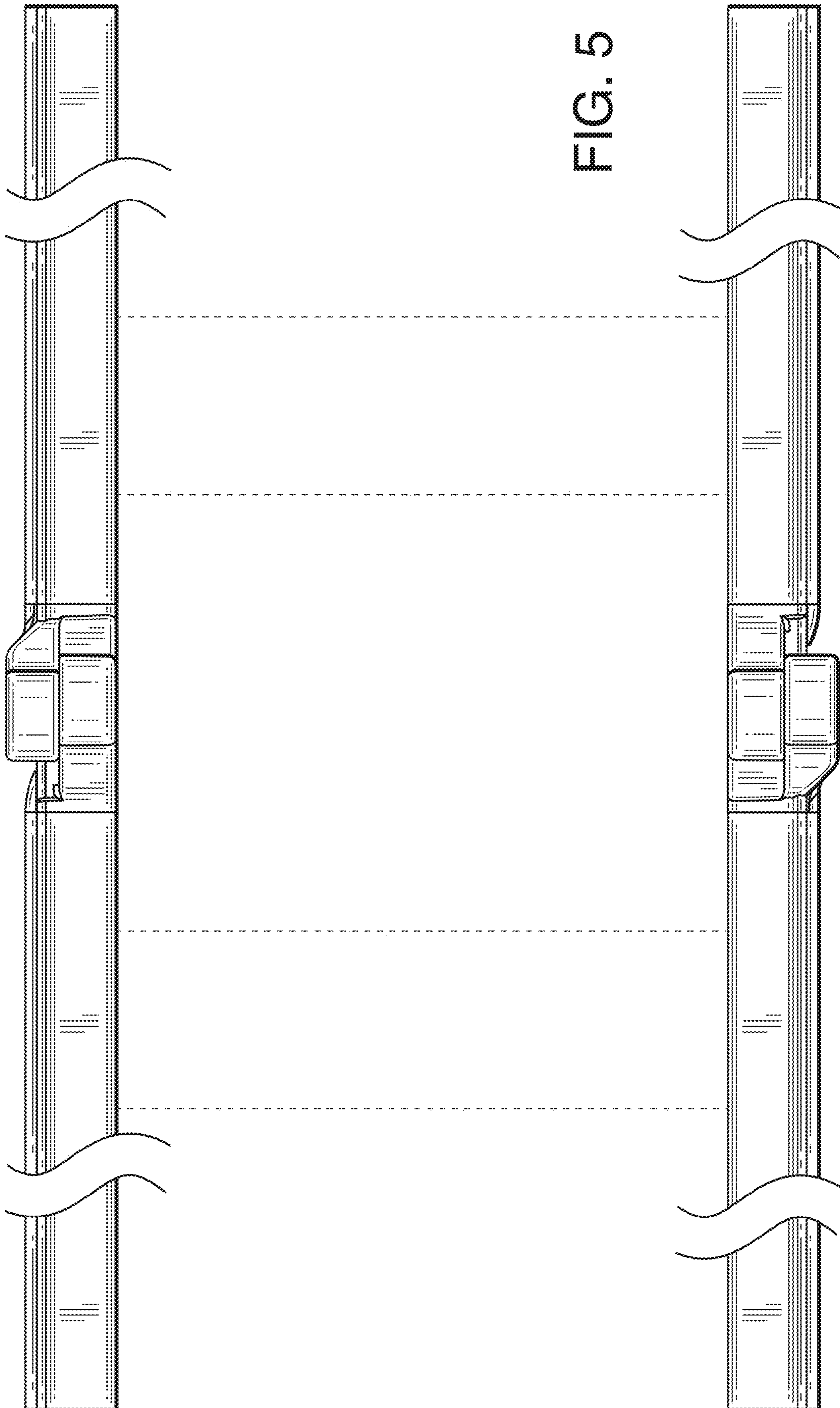


FIG. 5

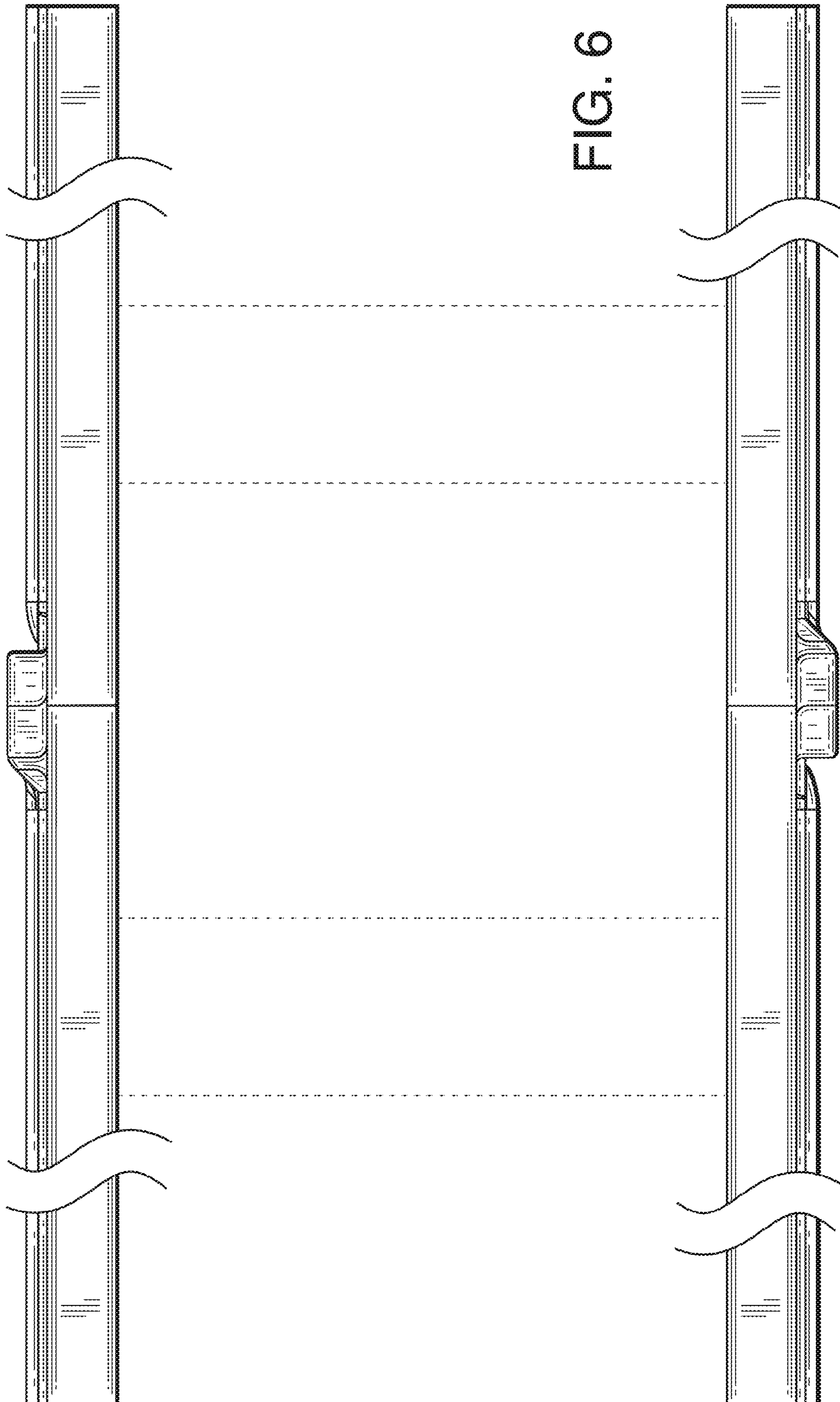


FIG. 6