



US00D935083S

(12) **United States Design Patent** (10) **Patent No.:** **US D935,083 S**
Knauff (45) **Date of Patent:** **** Nov. 2, 2021**

(54) **CEILING LAMP**
(71) Applicant: **ANSORG GMBH**, Mulheim an der Ruhr (DE)

D229,628 S * 12/1973 Wolfson D26/67
D308,260 S * 5/1990 Shemitz D26/63
D364,479 S * 11/1995 Gilbert D26/75
D378,143 S * 2/1997 Kollins D26/60
(Continued)

(72) Inventor: **Volker Knauff**, Essen (DE)

FOREIGN PATENT DOCUMENTS

(73) Assignee: **Ansorg GmbH**, Mulheim an der Ruhr (DE)

WO D079617-001 * 12/2012
WO D079617-002 * 12/2012

(**) Term: **15 Years**

(Continued)

(21) Appl. No.: **29/691,884**

OTHER PUBLICATIONS

(22) Filed: **May 20, 2019**

“Dodo Outlet Center,” 2017, ansorg.com, site visited Oct. 29, 2020, URL: <https://ansorg.com/en/references/home-stores/dodo-outlet-store/#/> (Year: 2017).*

(30) **Foreign Application Priority Data**

(Continued)

Nov. 21, 2018 (WO) WIPO77048

(51) **LOC (13) Cl.** **26-04**

(52) **U.S. Cl.**
USPC **D26/76**

(58) **Field of Classification Search**
USPC D26/24, 25, 26, 27, 60–69, 72, 74, 75, D26/76, 77, 78, 80, 81, 82, 83, 85, 86, D26/88, 89, 93, 104, 106, 108–115, 118, D26/120; D10/111–115
CPC F21S 8/00; F21S 8/03; F21S 8/04; F21S 8/026; F21S 8/046; F21S 8/088; F21S 8/02; F21S 8/06; F21S 8/033; F21S 8/37; F21S 8/048; F21S 8/083; F21S 2/00; F21V 15/00; F21V 15/01; F21V 17/164; F21V 23/026
See application file for complete search history.

Primary Examiner — Eric L Goodman
Assistant Examiner — Sarah L Smith
(74) *Attorney, Agent, or Firm* — Dentons US LLP

(57) **CLAIM**

The ornamental design for a ceiling lamp, as shown and described.

DESCRIPTION

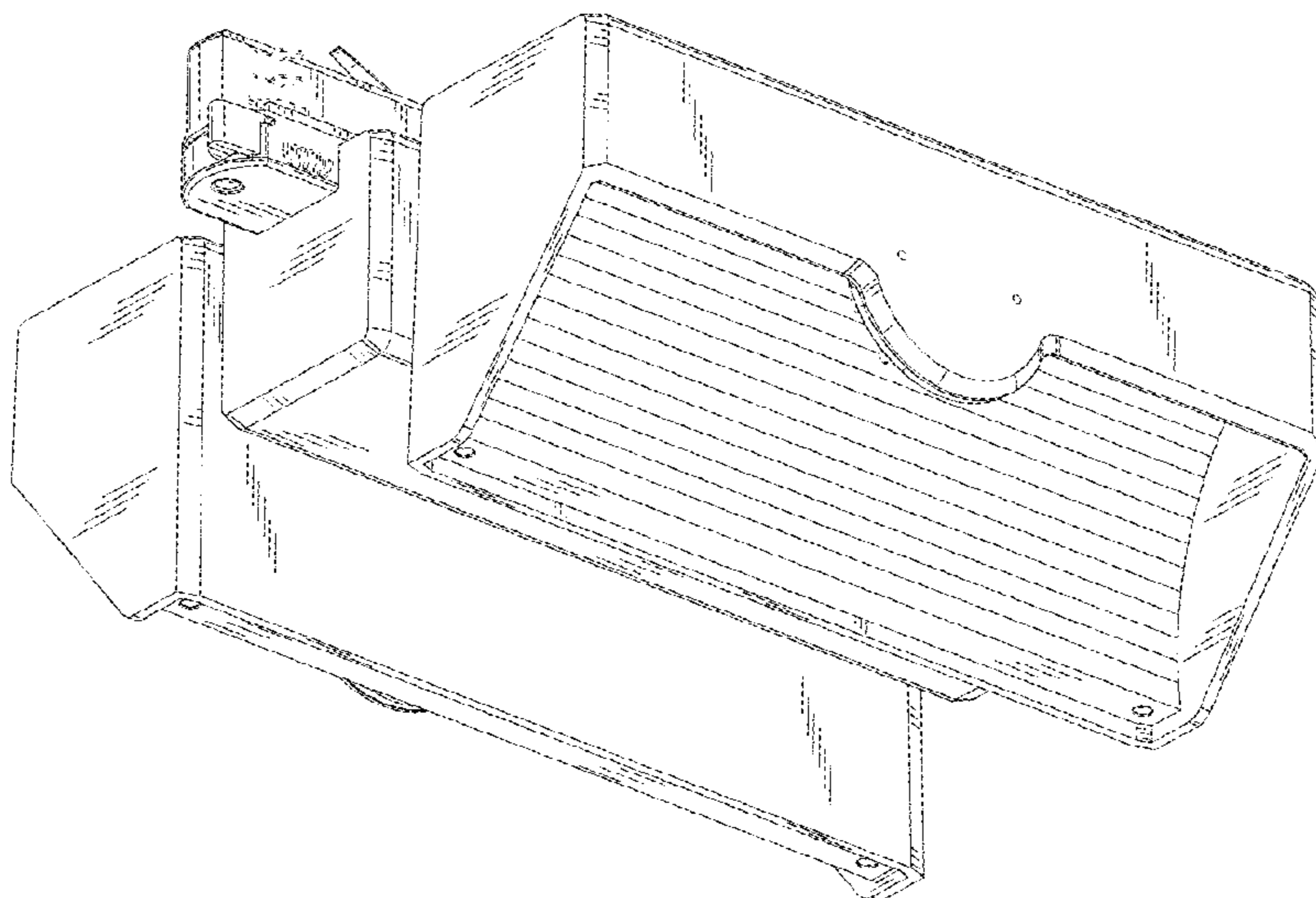
FIG. 1 is a front and left side isometric view of a ceiling lamp;
FIG. 2 is a rear and right side isometric view thereof;
FIG. 3 is a front elevation view thereof;
FIG. 4 is a right-side elevation view thereof;
FIG. 5 is a rear elevation view thereof;
FIG. 6 is a top view thereof; and,
FIG. 7 is a bottom view thereof.
The drawings include surface shading that represents contour and not surface ornamentation.
Broken lines shown in drawings illustrate portions of the ceiling lamp that form no part of claimed design.

(56) **References Cited**

U.S. PATENT DOCUMENTS

2,323,073 A * 6/1943 Netting H01R 33/02 362/225
D191,762 S * 11/1961 Rothman D26/76
D203,060 S * 11/1965 Schaefer D26/76
D216,911 S * 3/1970 Specht D26/24

1 Claim, 3 Drawing Sheets



(56)

References Cited

OTHER PUBLICATIONS

U.S. PATENT DOCUMENTS

D390,992 S * 2/1998 Shemitz D26/63
 D412,592 S * 8/1999 Kowalenko D26/63
 D463,061 S * 9/2002 Ludwig D26/118
 D463,601 S * 9/2002 Ludwig D26/76
 D464,160 S * 10/2002 Ludwig D26/76
 D465,049 S * 10/2002 Ludwig D26/75
 D567,989 S * 4/2008 Goetz-Schaefer D26/89
 D617,929 S * 6/2010 Kuo D26/60
 D623,787 S * 9/2010 Kuo D26/60
 D629,548 S * 12/2010 Cai D26/63
 D731,109 S * 6/2015 Wardenburg D26/118
 D774,681 S * 12/2016 Liang D26/85
 D834,736 S * 11/2018 Liu 26/85
 D838,025 S * 1/2019 Yu D26/63
 D862,764 S * 10/2019 Deng D26/72
 D872,342 S * 1/2020 Dinh D26/85
 D895,194 S * 9/2020 Bou Harb D26/113
 2008/0094838 A1 * 4/2008 Russello F21V 23/0442
 362/249.07
 2017/0234508 A1 * 8/2017 Hesse F21V 3/04
 362/235

FOREIGN PATENT DOCUMENTS

WO 304416309 * 12/2017
 WO D103112-001 * 10/2018
 WO D103112-002 * 10/2018
 WO D208980-006 * 7/2020

“NAVO using LED technology,” Mar. 17, 2014, ixtenso.com, site visited Nov. 2, 2020, URL: <https://ixtenso.com/lighting/navo-using-led-technology-will-set-the-standards-for-aisle-areas-in-the-future.html> (Year: 2014).*

“Sun & Sand Sports,” 2015, ansorg.com, site visited Oct. 29, 2020, URL: <https://ansorg.com/en/references/fashion/sun-sand-sports/#/> (Year: 2015).*

“150W LED Wall Pack Light with Dusk-to-Dawn Photocell,” Jan. 5, 2017, amazon.com, site visited Oct. 29, 2020, URL: https://www.amazon.com/18000lm-Outdoor-Security-600-800W-Replacement/dp/B00P5VMN86/ref=sr_1_8?dchild=1&keywords=wall+pack+light&qid=1603977308&sr=8-8 (Year: 2017).*

“Lighting Tools 2017,” 2017, archiexpo.com, site visited Nov. 6, 2020, URL: <https://pdf.archiexpo.com/pdf/ansorg/lighting-tools-2017/53320-293190.html> (Year: 2017).*

“Bio & Co,” 2017, ansorg.com, site visited Oct. 29, 2020, URL: <https://ansorg.com/en/references/food/bio-co-vallauris/#/> (Year: 2017).*

“Organic Farma Zdrowia,” 2018, ansorg.com, site visited Oct. 29, 2020, URL: <https://ansorg.com/en/references/food/organic-farma-zdrowia/#/> (Year: 2018).*

* cited by examiner

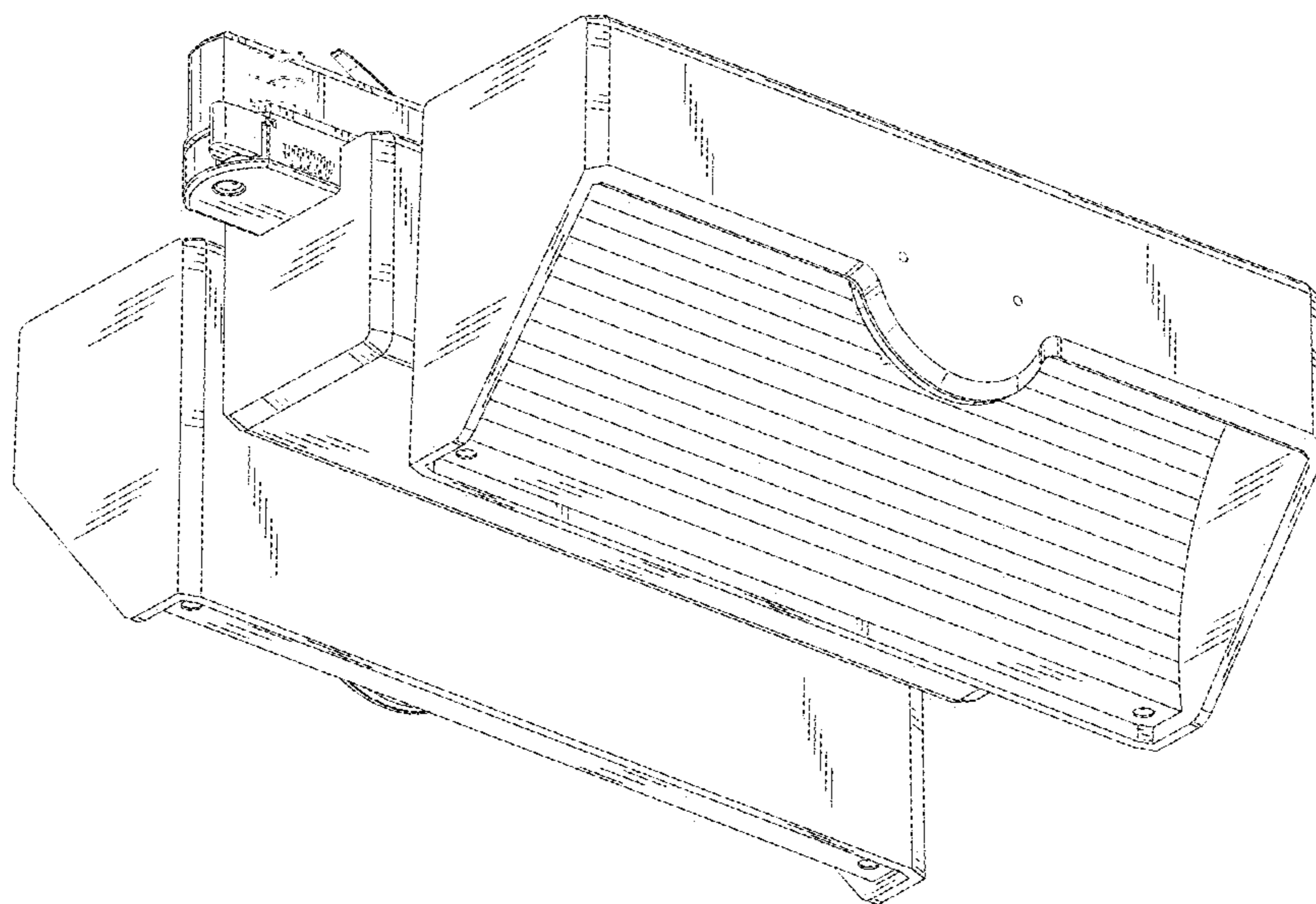


FIG. 1

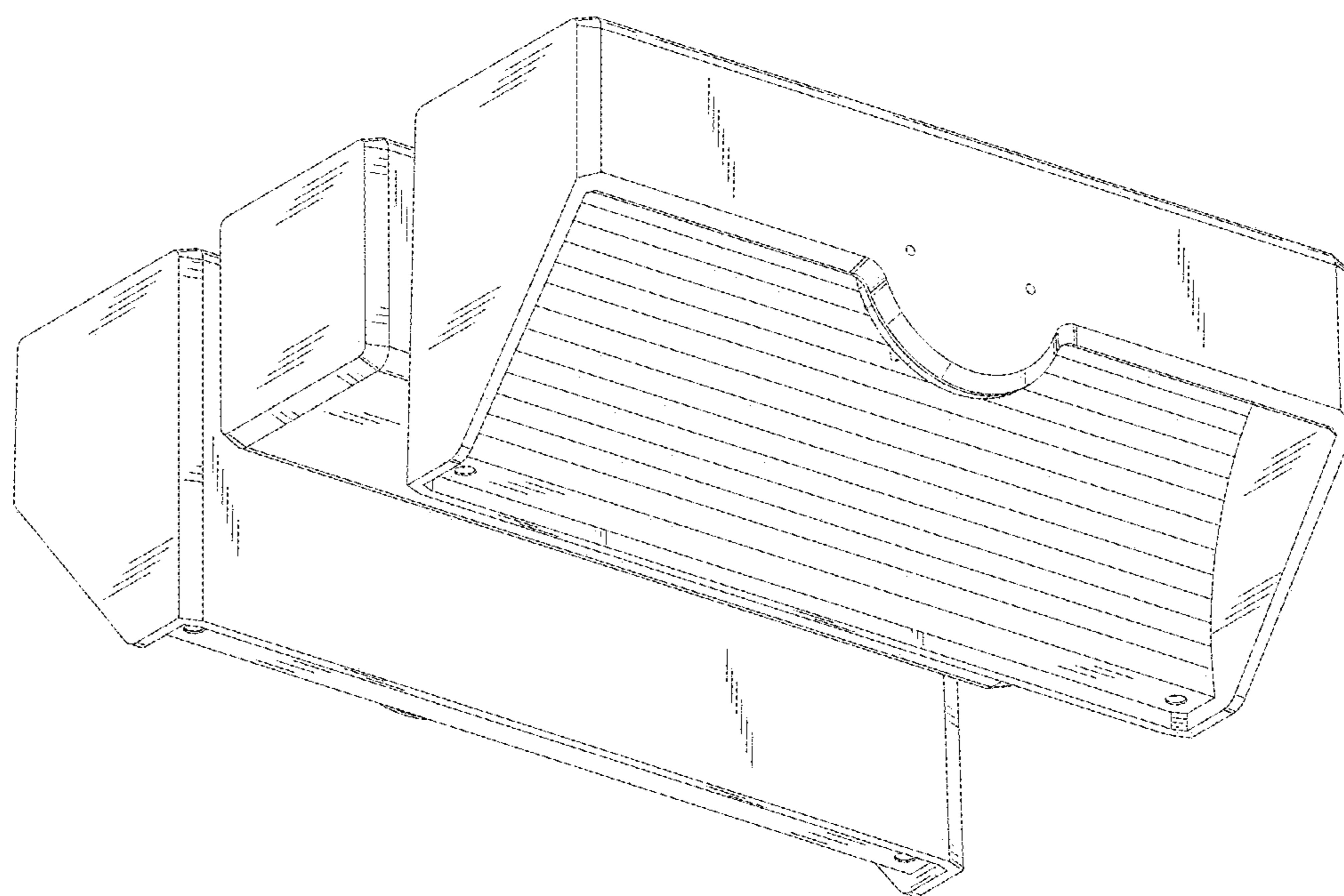


FIG. 2

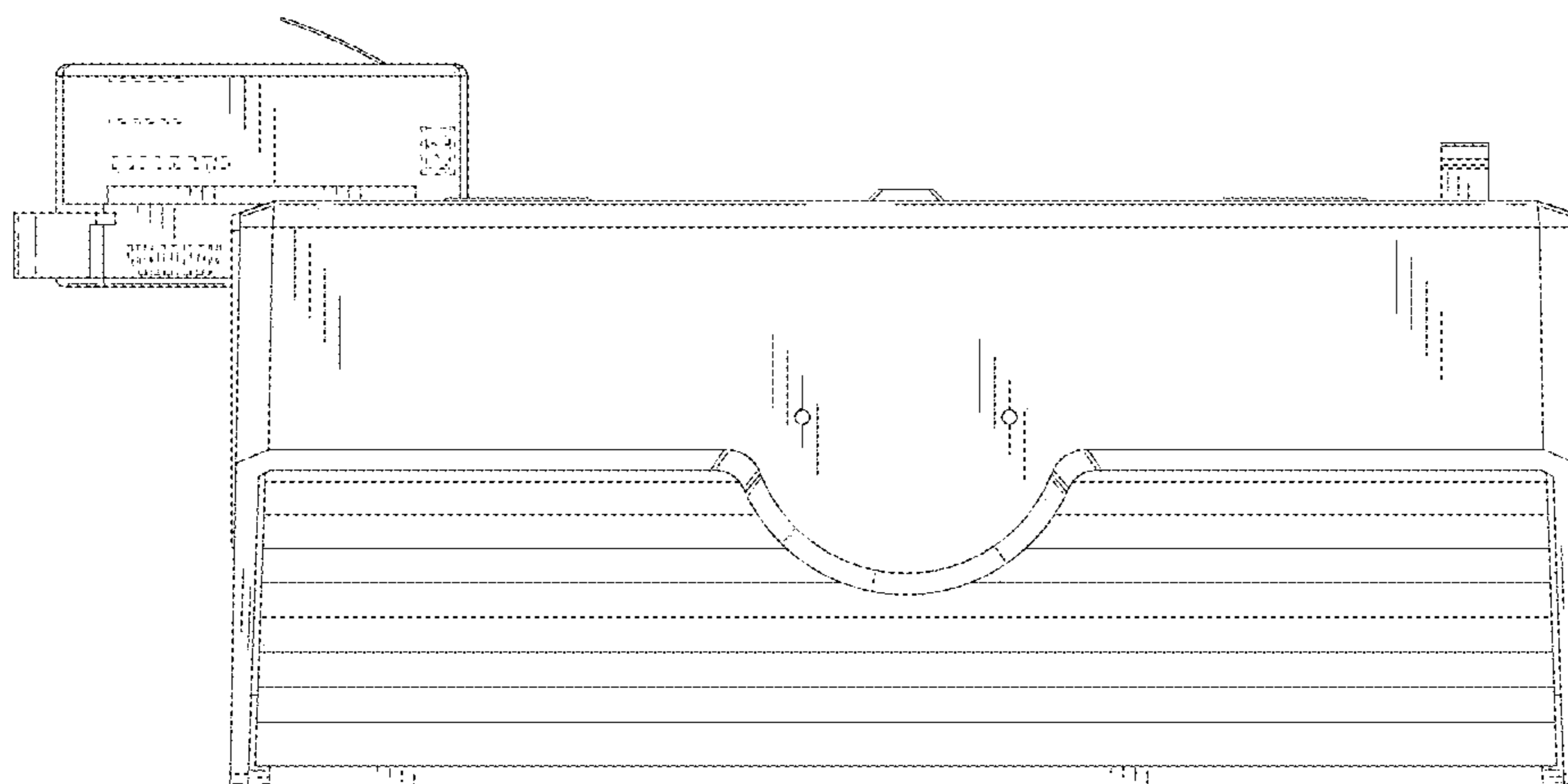


FIG. 3

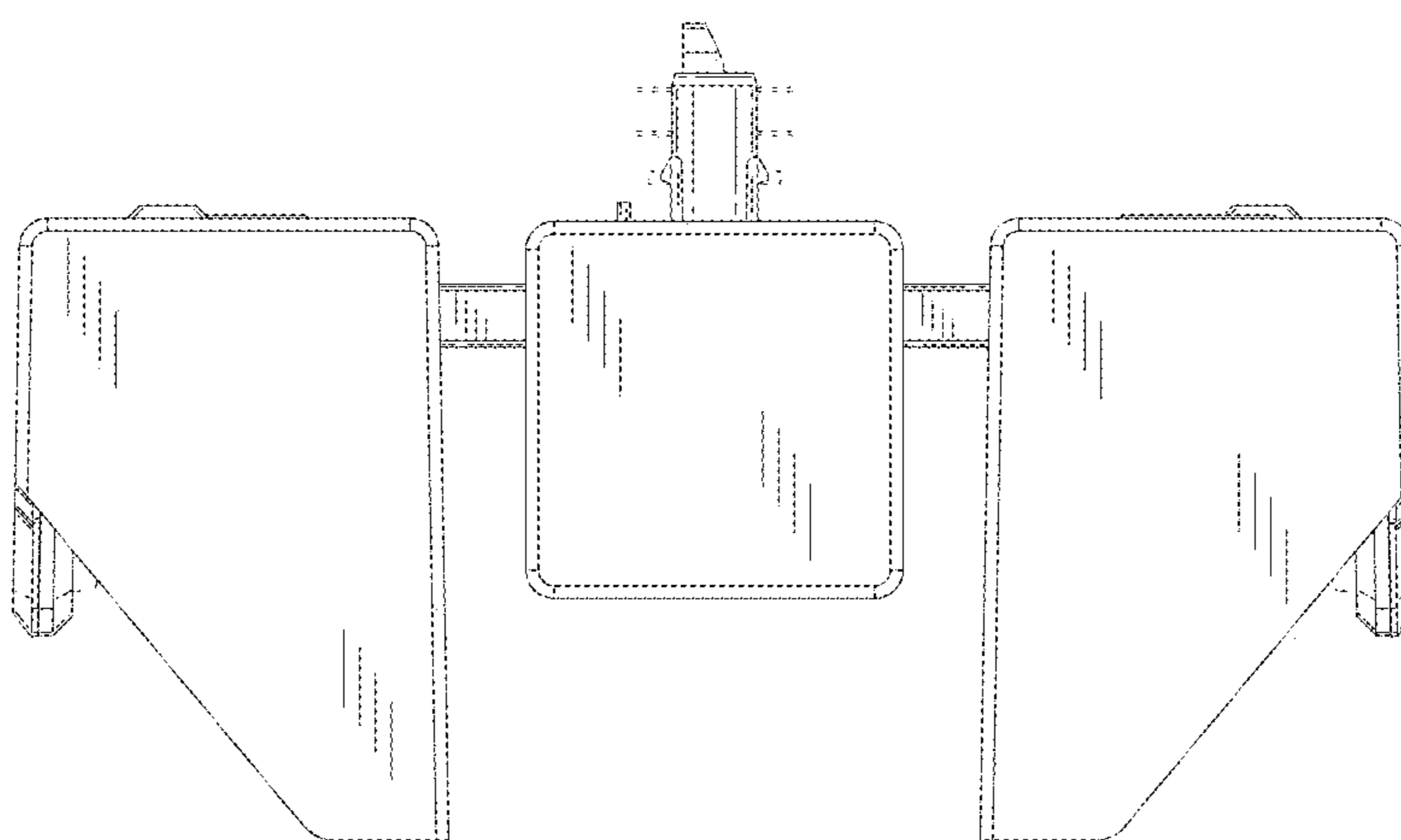


FIG. 4

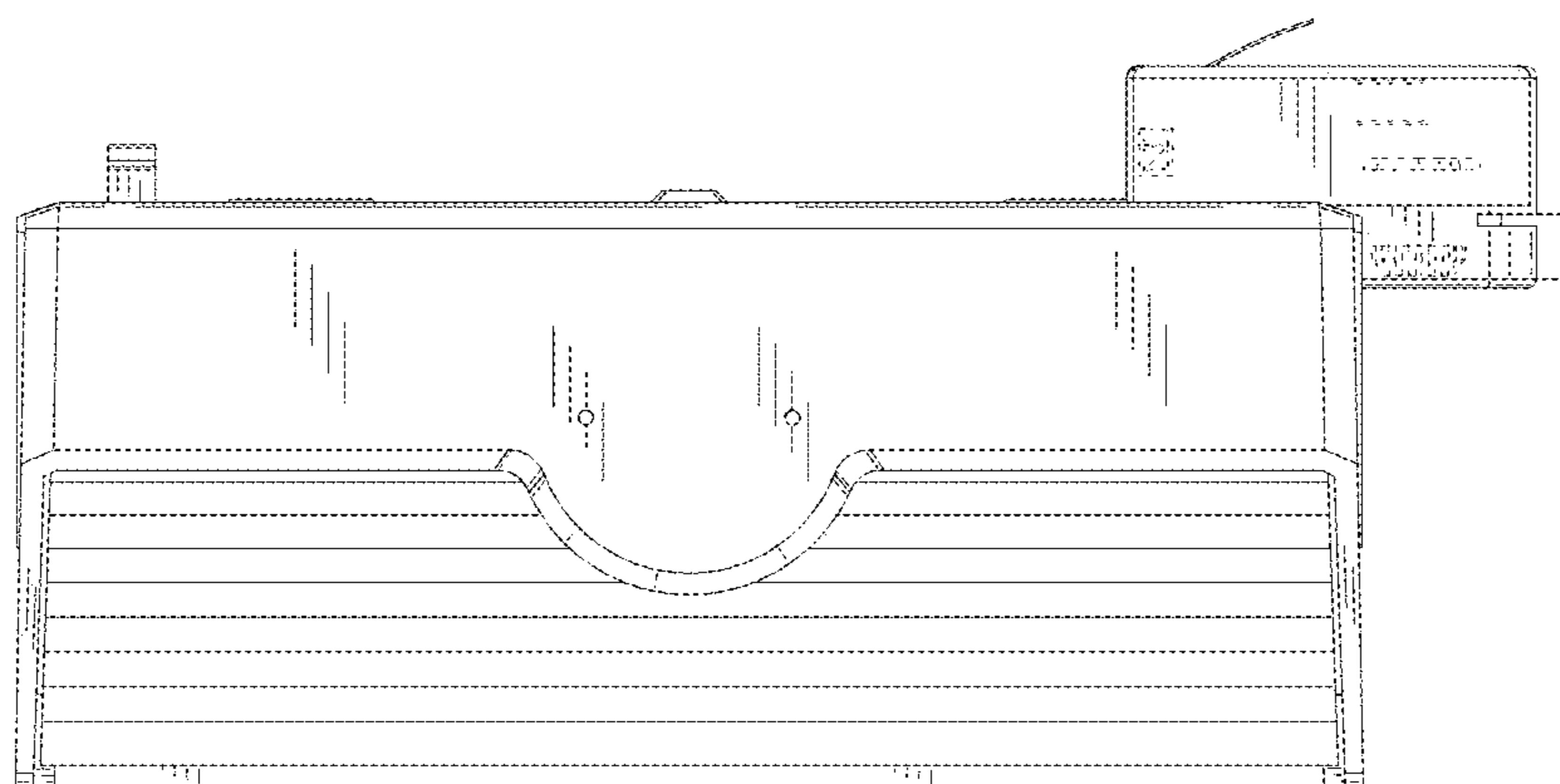


FIG. 5

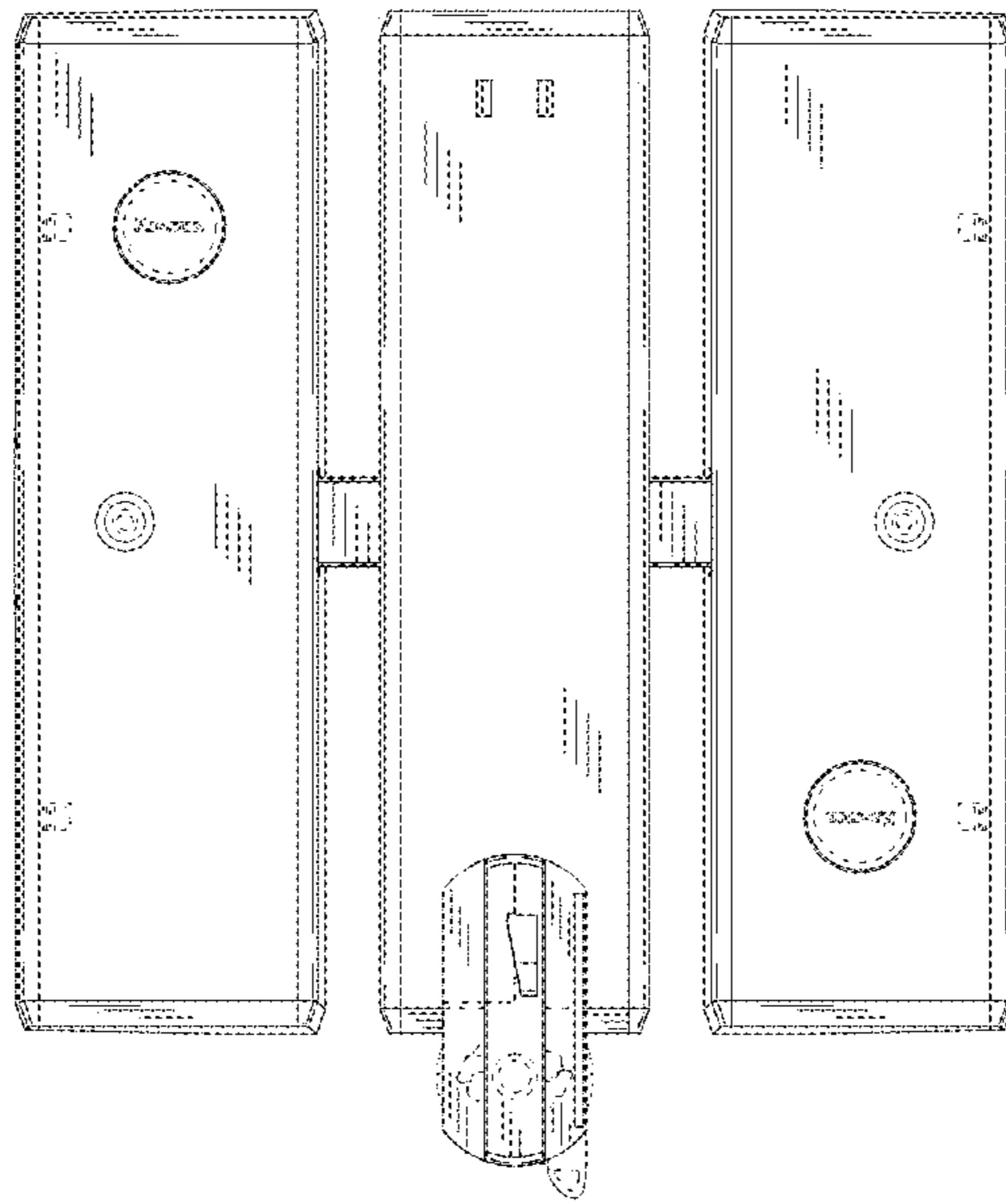


FIG. 6

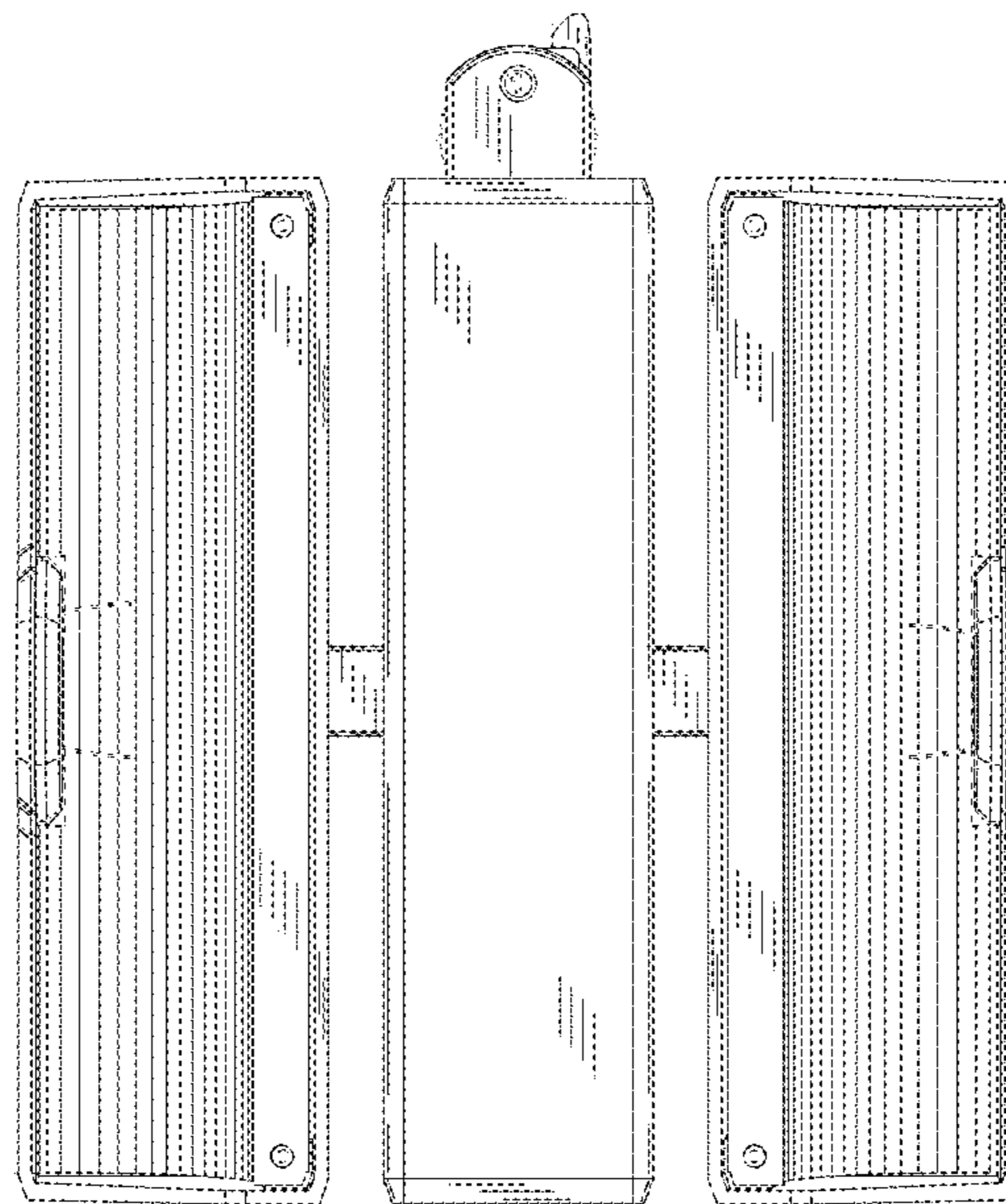


FIG. 7