



US00D935082S

(12) **United States Design Patent**
Cohen

(10) **Patent No.:** **US D935,082 S**

(45) **Date of Patent:** **** Nov. 2, 2021**

(54) **INTEGRATED LIGHTING MODULE**

(71) Applicant: **Brandon Cohen**, Vernon, CA (US)

(72) Inventor: **Brandon Cohen**, Vernon, CA (US)

(**) Term: **15 Years**

(21) Appl. No.: **29/693,575**

(22) Filed: **Jun. 3, 2019**

(51) **LOC (13) Cl.** **26-05**

(52) **U.S. Cl.**

USPC **D26/74**

(58) **Field of Classification Search**

USPC D26/74, 72, 75, 76, 77, 78, 85, 88, 89,
D26/118, 138, 141; 362/364, 365, 373,
362/145, 146, 147, 148, 150, 153, 153.1,
362/294, 296.01, 296.07, 296.08
CPC F21V 29/2262; F21V 7/06; F21V 21/044;
F21V 21/047; F21V 29/2212; F21V
29/2225; F21V 29/2256; F21V 29/225;
F21V 29/2268; F21Y 2111/002; F21S
8/02; F21S 8/026

See application file for complete search history.

(56) **References Cited**

U.S. PATENT DOCUMENTS

D321,266 S	*	10/1991	Koontz	D26/74
D606,696 S		12/2009	Chen		
D610,280 S	*	2/2010	Hua	D26/24
D625,876 S	*	10/2010	Chen	D26/74
D640,819 S		6/2011	Pan		
D655,436 S	*	3/2012	Johnson	D26/74
D656,263 S		3/2012	Ogawa		
D663,464 S	*	7/2012	Lee	D26/72
D668,372 S		10/2012	Renshaw		
D672,899 S	*	12/2012	Van De Ven	D26/74
8,408,759 B1		4/2013	Rashidi		
D682,459 S		5/2013	Gordin		
D683,883 S	*	6/2013	Yorio	D26/74
D694,456 S		11/2013	Rowlette, Jr.		

D708,381 S		7/2014	Rashidi		
D714,989 S		10/2014	Rowlette, Jr.		
D726,949 S		4/2015	Redfern		
D734,525 S		7/2015	Gordin		
D777,967 S		1/2017	Redfern		
D779,100 S		2/2017	Redfern		
D790,102 S		6/2017	Guzzini		
D801,574 S	*	10/2017	Amato	D26/118
D808,058 S	*	1/2018	Johnson	D26/74
D820,494 S		6/2018	Cohen		
D861,223 S	*	9/2019	Rosello	D26/72

(Continued)

OTHER PUBLICATIONS

DMF DRD2 Product Publicly available at least as early as Sep. 6, 2018 Website: <https://www.dmflighting.com/product/drd2/>.

(Continued)

Primary Examiner — Angela J Lee

(74) *Attorney, Agent, or Firm* — Eric Kelly

(57)

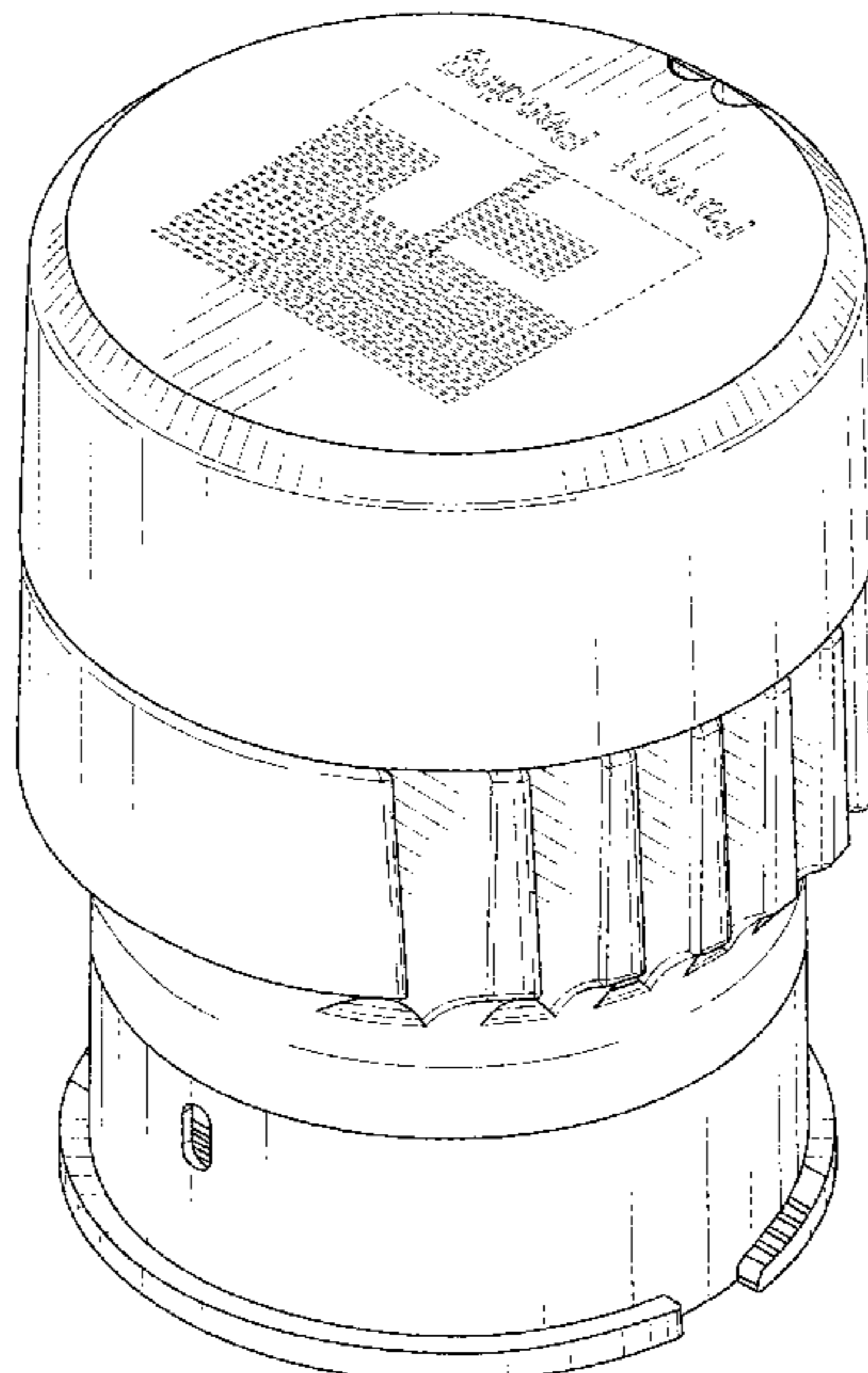
CLAIM

What is claimed is the ornamental design for an integrated lighting module, as shown and described.

DESCRIPTION

FIG. 1 illustrates a top perspective view of a new and ornamental integrated lighting module; FIG. 2 illustrates a front view thereof; FIG. 3 illustrates a rear view thereof; FIG. 4 illustrates a left-side view thereof; FIG. 5 illustrates a right-side view thereof; FIG. 6 illustrates a top view thereof; FIG. 7 illustrates a bottom view thereof; and, FIG. 8 illustrates a bottom perspective view thereof. Broken lines in the drawings depict portions of the integrated lighting module that form no part of the claimed design.

1 Claim, 8 Drawing Sheets



(56)

References Cited

U.S. PATENT DOCUMENTS

D880,041 S * 3/2020 Ghasabi D26/74
D890,409 S * 7/2020 Park D26/138
2019/0242552 A1 8/2019 Liu
2021/0025583 A1* 1/2021 Cohen F21V 7/0016

OTHER PUBLICATIONS

DMF DRD4 Product Publicly available at least as early as Sep. 6, 2018 Website: <https://www.dmflighting.com/product/drd4/>.

ELCO E247 Product Publicly available at least as early as Sep. 6, 2018 See attached concurrently filed NPL document with two product images of this ELCO E247 Product.

SORAA LED Optical Light Engine See: <https://res.cloudinary.com/soraa/image/upload/v1516986148/resources/misc/ole-more-info-pdf.pdf>.

NORA Lighting Product: NIOB-2RNDC Publicly available at least as early as Oct. 8, 2020 Website: <https://noralighting.com/product/niob-2rndc/>.

NORA Lighting Product: NIO-4RPH Publicly available at least as early as Oct. 8, 2020 Website: <https://noralighting.com/product/nio-4rph/>.

NORA Lighting Product: NIOB-1RNG Publicly available at least as early as Oct. 8, 2020 Website: <https://noralighting.com/product/niob-1rng/>.

* cited by examiner

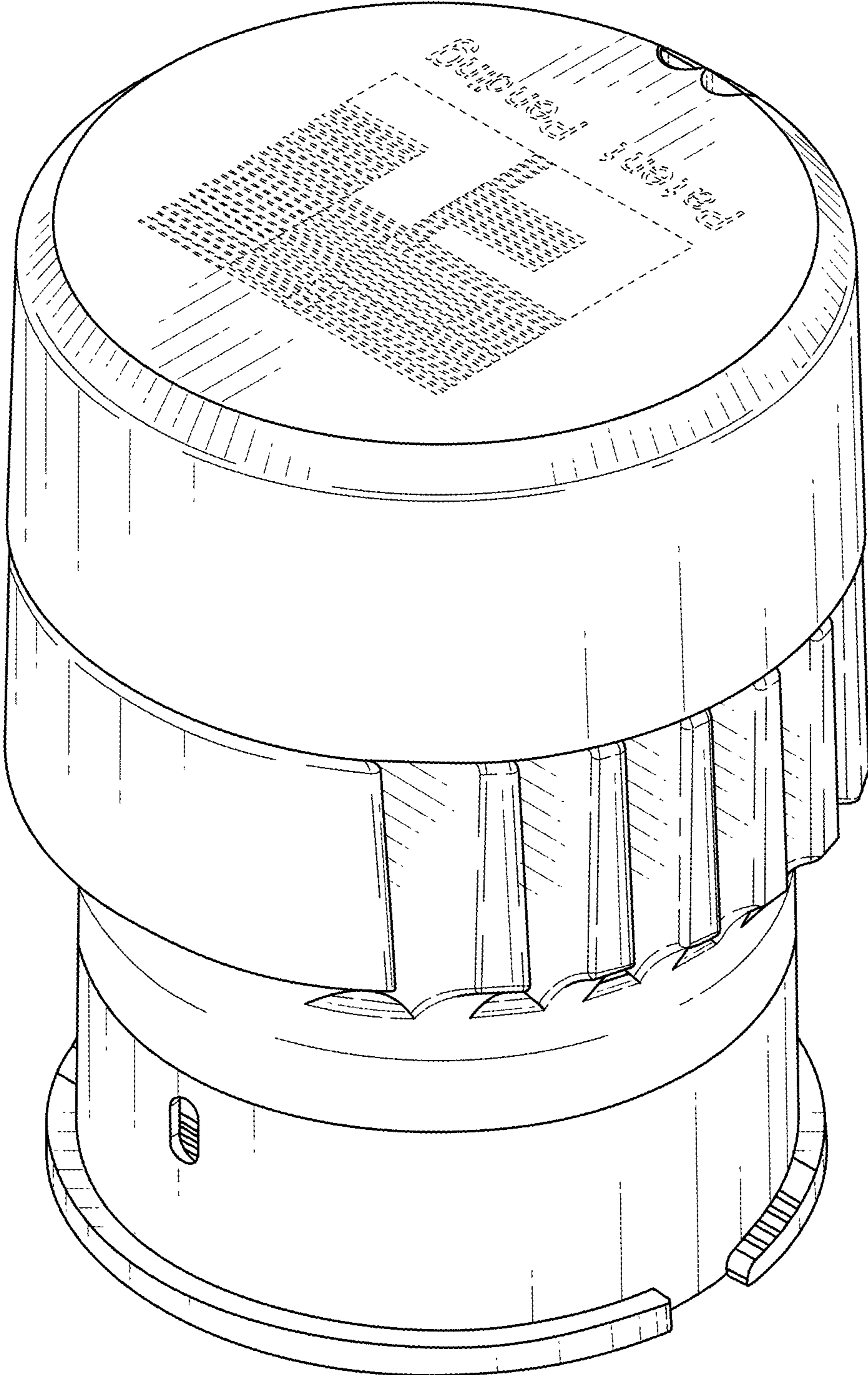


FIG. 1

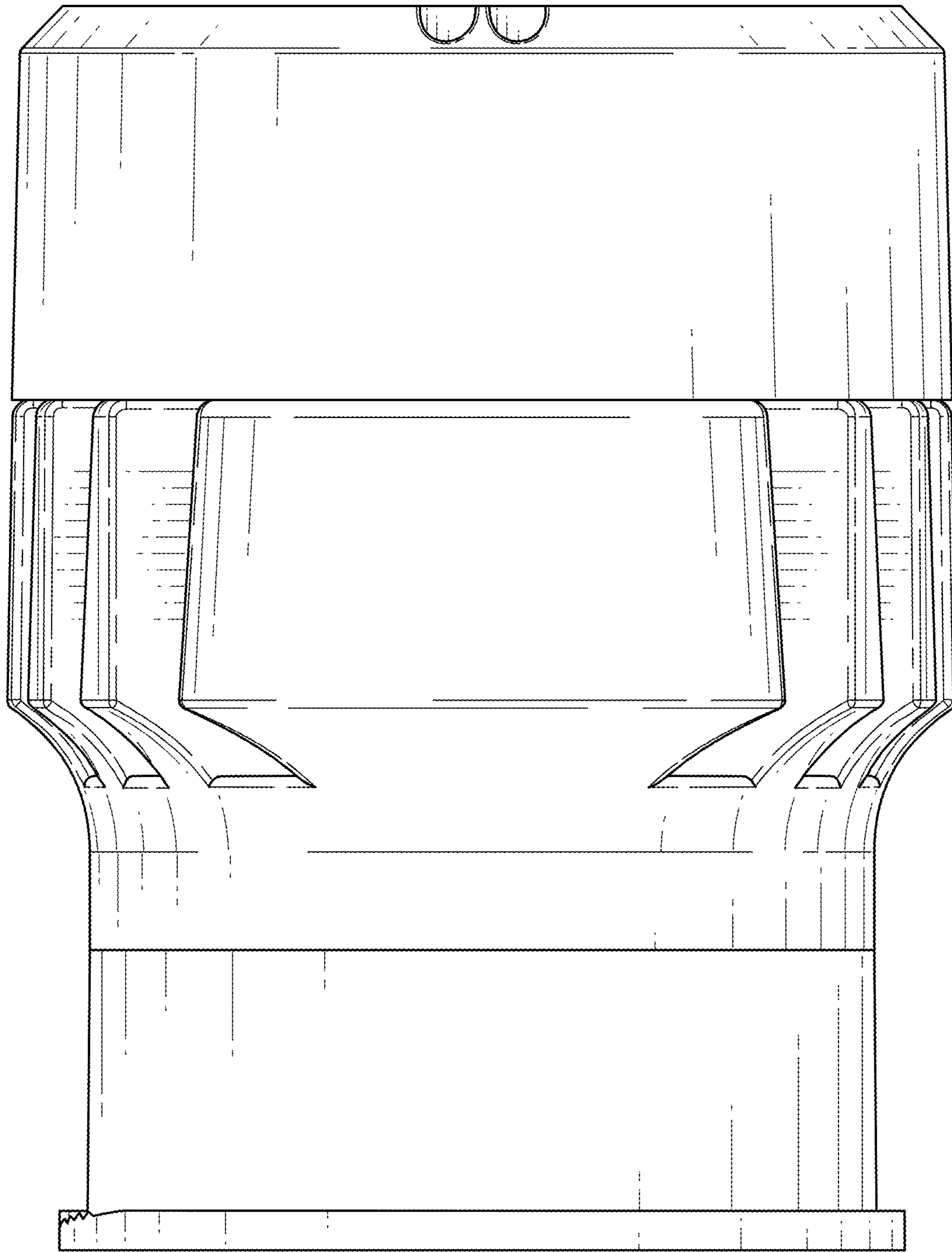


FIG. 2

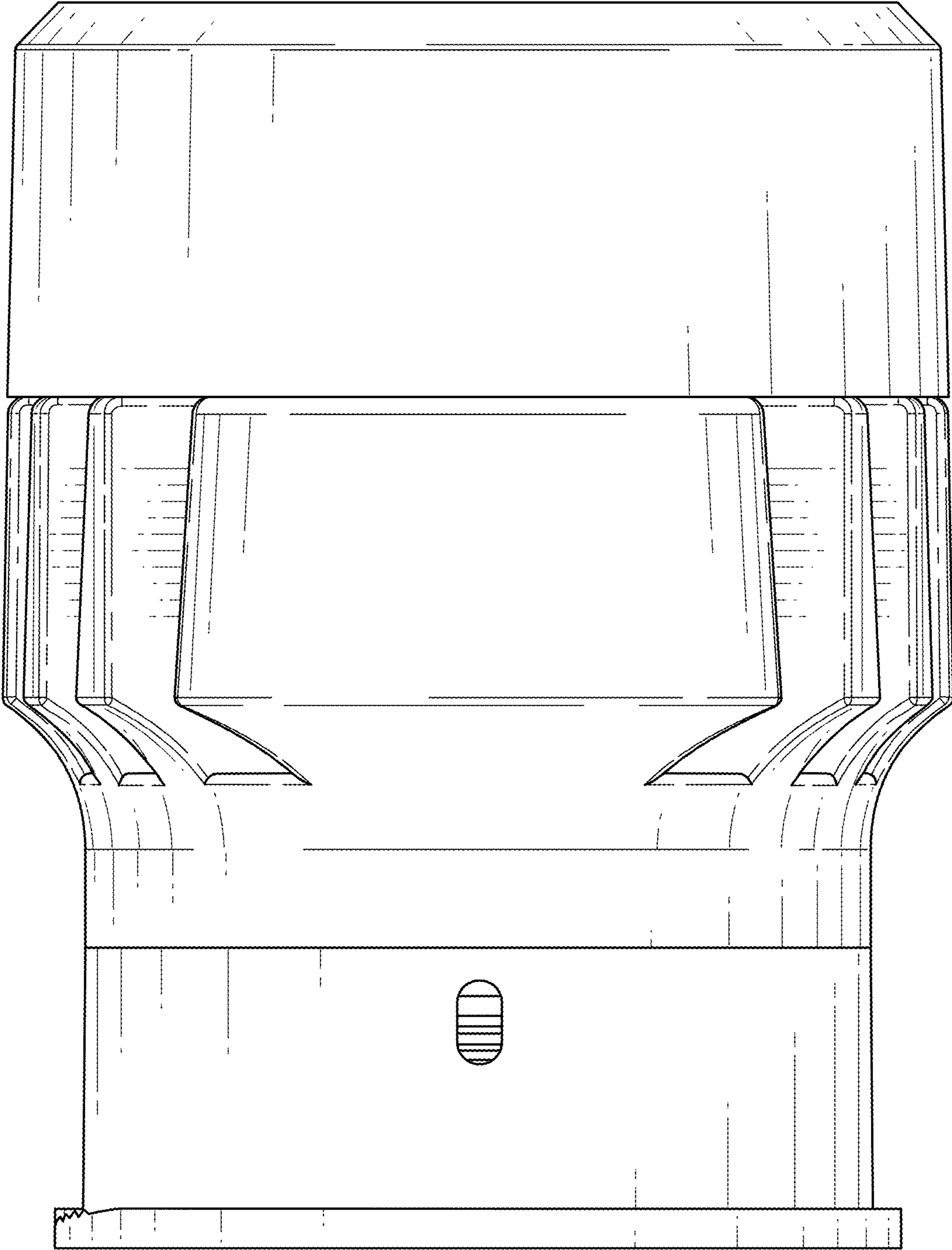


FIG. 3

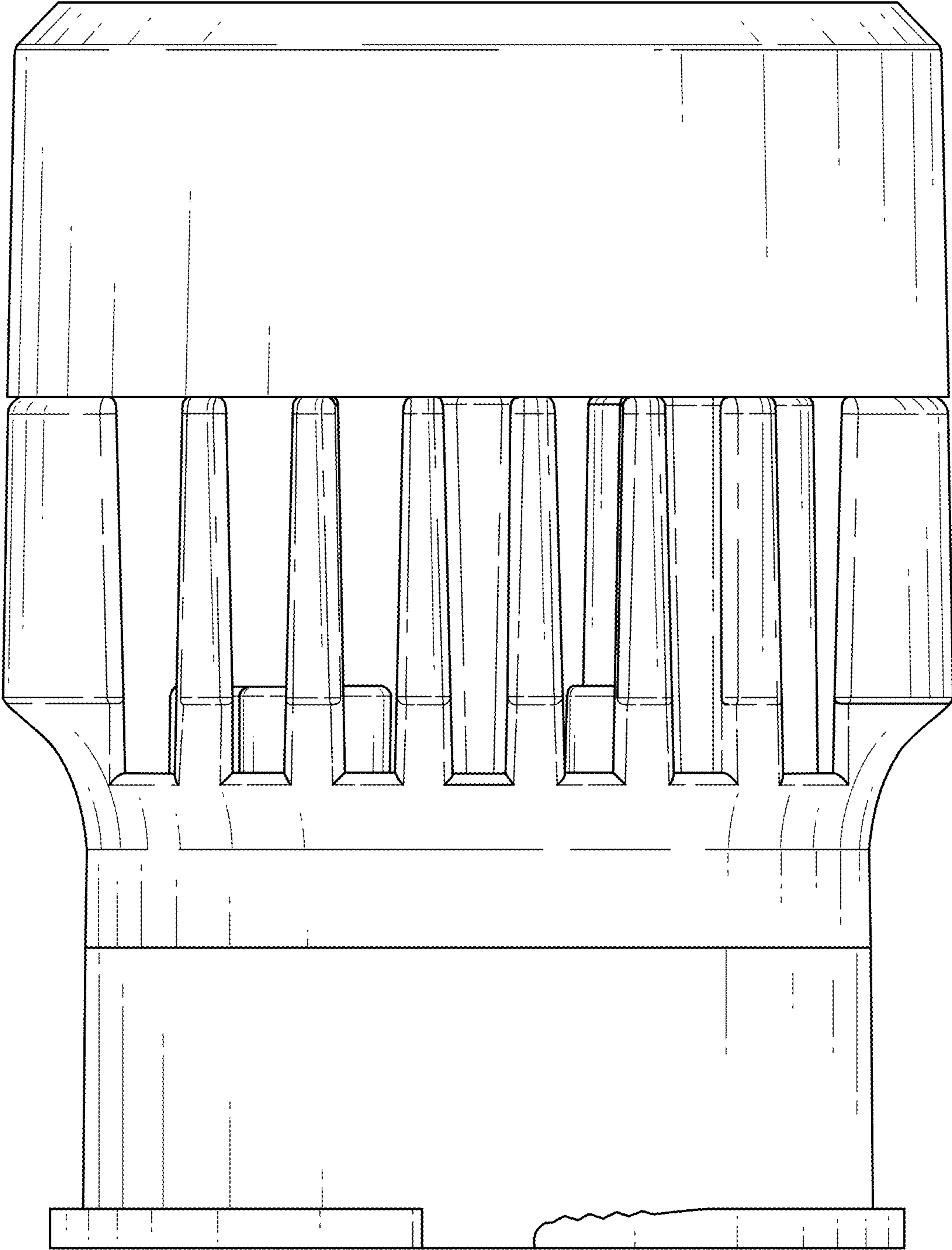


FIG. 4

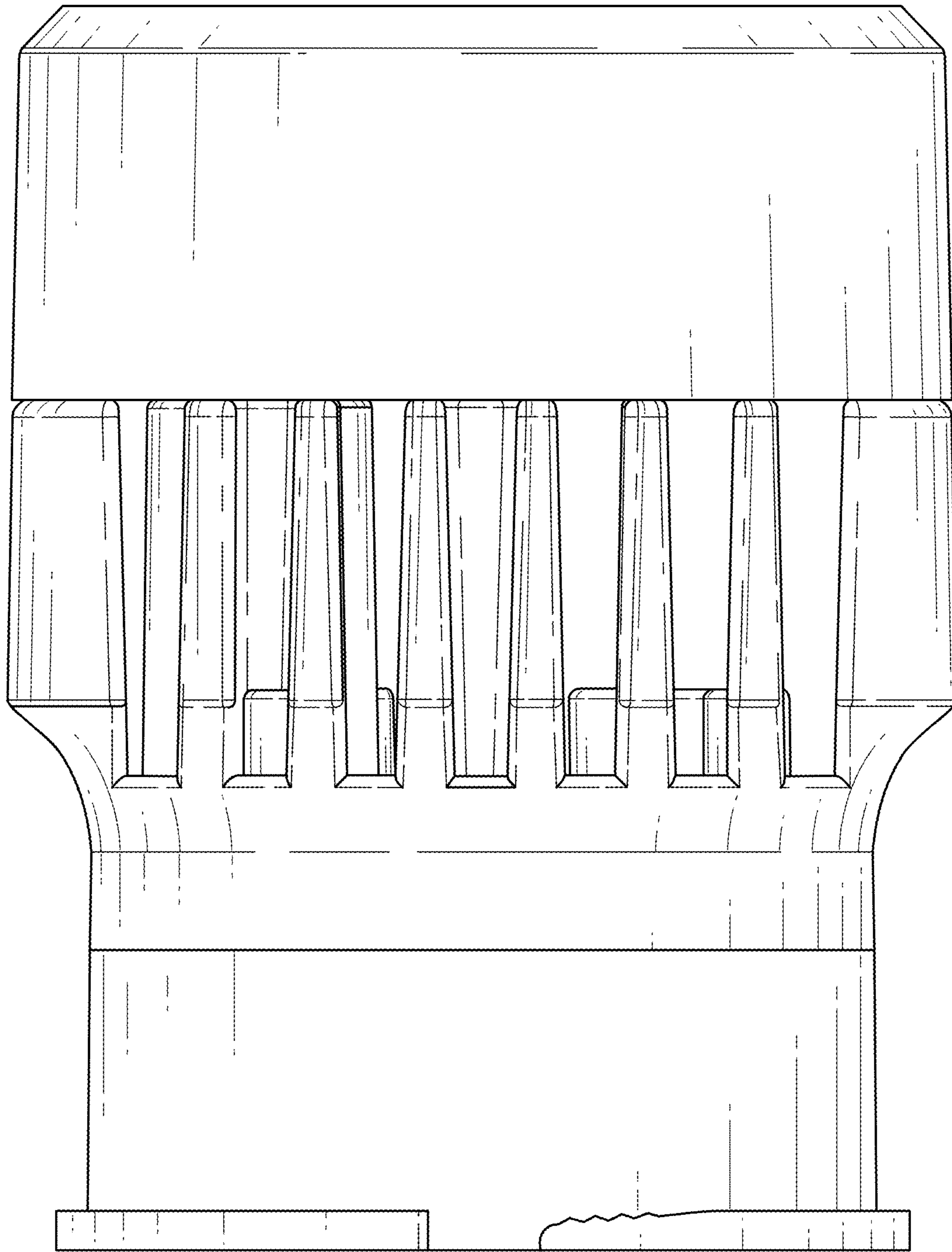


FIG. 5

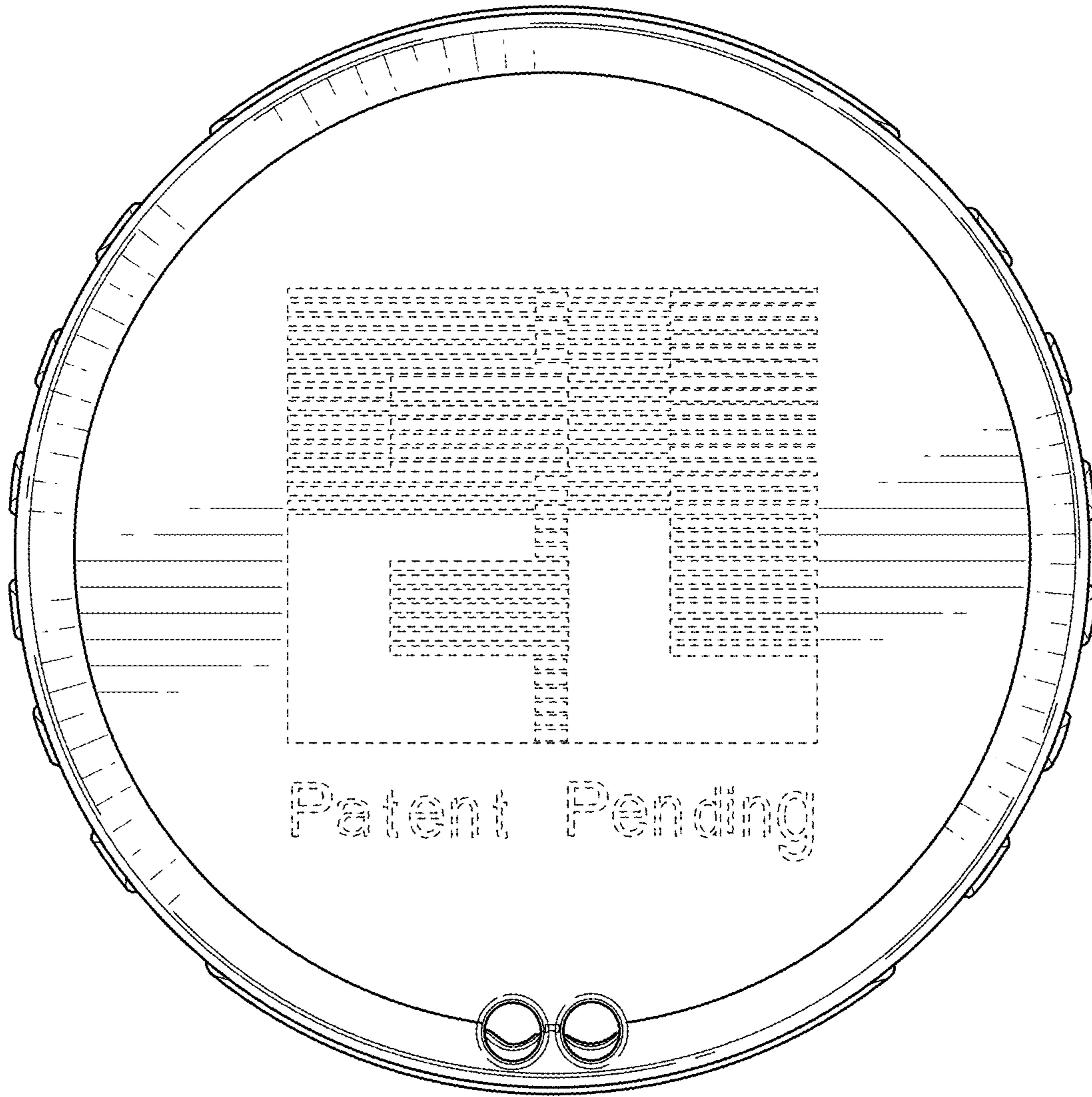


FIG. 6

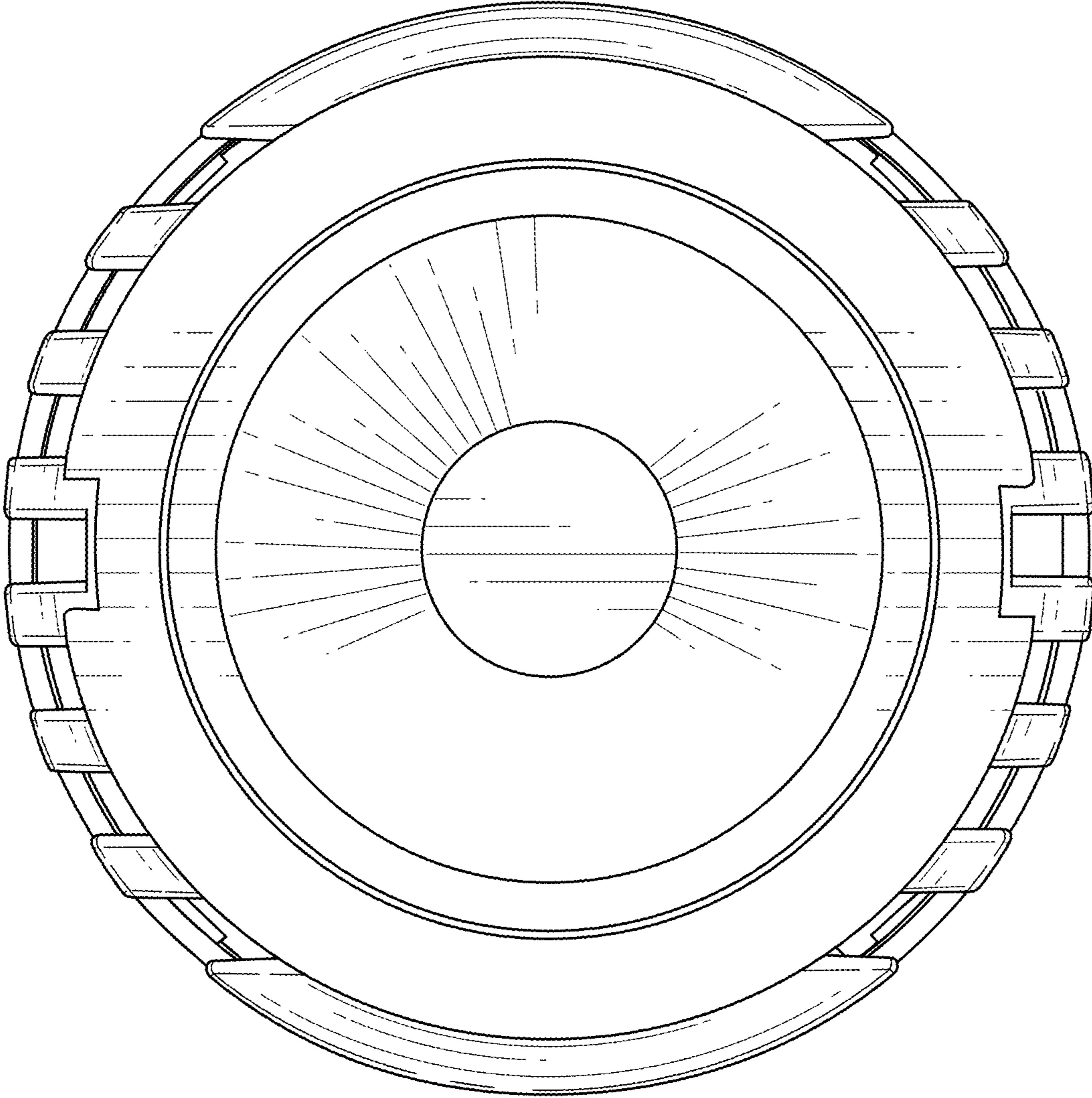


FIG. 7

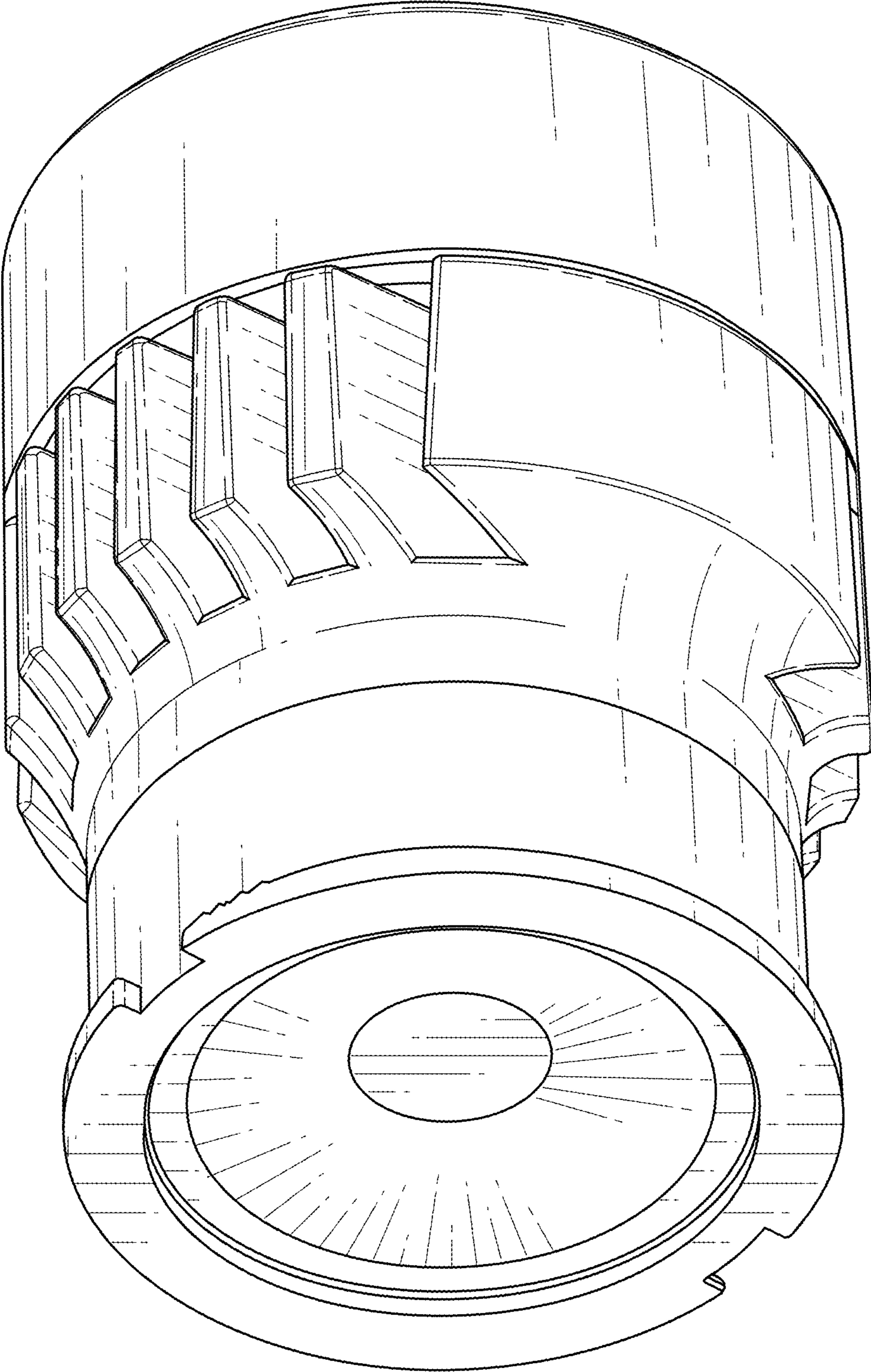


FIG. 8