



US00D935080S

(12) **United States Design Patent** (10) **Patent No.:** **US D935,080 S**
Lira-Nunez et al. (45) **Date of Patent:** **** Nov. 2, 2021**

(54) **REMOVABLE HANDLE LIGHT FOR GRILL**

(71) Applicant: **Weber-Stephen Products LLC**,
Palatine, IL (US)

(72) Inventors: **Carmen Lira-Nunez**, Downers Grove,
IL (US); **Romualdo Sonny Siazon**,
Woodstock, IL (US)

(73) Assignee: **WEBER-STEPHEN PRODUCTS
LLC**, Palatine, IL (US)

(**) Term: **15 Years**

(21) Appl. No.: **29/675,528**

(22) Filed: **Jan. 3, 2019**

(51) **LOC (13) Cl.** **26-05**

(52) **U.S. Cl.**
USPC **D26/60**

(58) **Field of Classification Search**
USPC D26/37-51, 63
CPC F21L 2003/00; F21L 4/005; F21L 4/02;
F21L 4/025; F21L 4/027; F21L 4/04;
F21L 4/08; F21L 2005/00; F21L 7/00;
F21L 11/00; F21L 13/00; F21L 13/04;
F21L 13/08; F21L 14/02; F21L 17/00;
F21L 19/00; F21L 25/00; F21L 2/00;
F21L 4/00-4/085; F21L 15/00-15/14;
F21L 2001/00

See application file for complete search history.

(56) **References Cited**

U.S. PATENT DOCUMENTS

D317,310 S *	6/1991	Schwartz	D13/168
D383,230 S *	9/1997	Yuen	D26/42
D434,863 S *	12/2000	Boessel	D26/26
D439,688 S *	3/2001	Suzuki	D26/37
D554,781 S *	11/2007	Shiu	D26/37
D614,334 S *	4/2010	Thomson	D26/38
D618,831 S *	6/2010	Pennington	D26/26
D629,131 S *	12/2010	Seal	D26/60

D630,355 S *	1/2011	Gulker	D26/37
D645,179 S *	9/2011	Gulker	D26/37
D656,647 S *	3/2012	Hodgson	D26/44
D684,284 S *	6/2013	Borovicka	D26/60
D739,585 S *	9/2015	Chun	D26/38
D739,973 S *	9/2015	Chao	D26/37
D747,263 S *	1/2016	Lafferty	D13/102
D753,856 S *	4/2016	Iwaki	D26/37

(Continued)

OTHER PUBLICATIONS

IP Australian, "Certificate of examination," issued in connection with Australian Patent Application No. 201913471, dated Nov. 25, 2019, 2 pages.

Primary Examiner — Michelle E. Wilson

(74) *Attorney, Agent, or Firm* — Hanley, Flight & Zimmerman, LLC

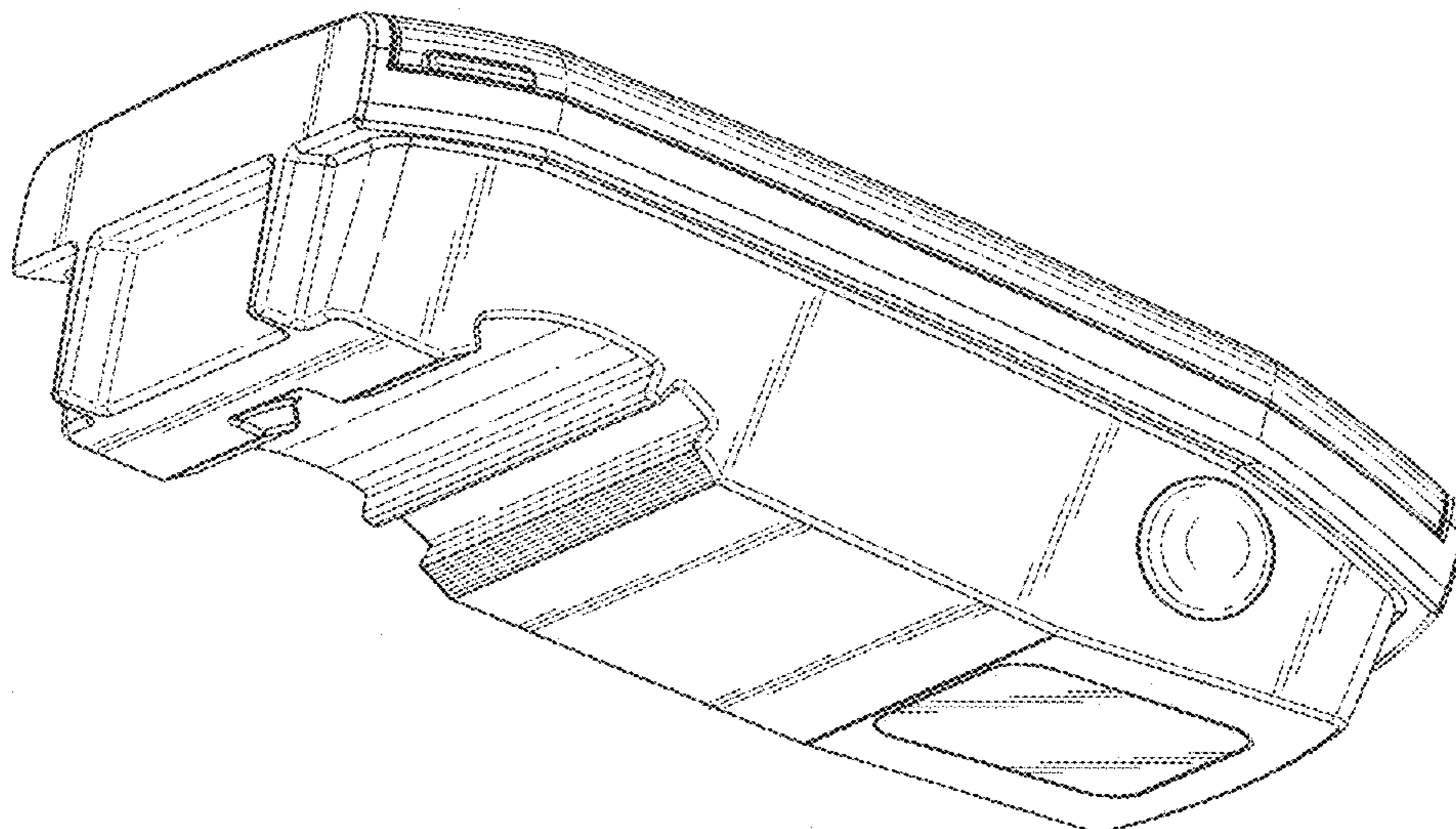
(57) **CLAIM**

The ornamental design for a removable handle light for a grill, as shown and described.

DESCRIPTION

FIG. 1 is a top left perspective view of the removable handle light for a grill of the present invention;
FIG. 2 is a bottom left perspective view of the removable handle light for a grill of the present invention;
FIG. 3 is a top view of the removable handle light for a grill of the present invention;
FIG. 4 is a right side view of the removable handle light for a grill of the present invention;
FIG. 5 is a left side view of the removable handle light for a grill of the present invention;
FIG. 6 is a rear view of the removable handle light for a grill of the present invention;
FIG. 7 is a front view of the removable handle light for a grill of the present invention; and,
FIG. 8 is a bottom view of the removable handle light for a grill of the present invention.

1 Claim, 7 Drawing Sheets



(56)

References Cited

U.S. PATENT DOCUMENTS

D760,414 S *	6/2016	Brown	D26/37
D765,896 S *	9/2016	Siazon	D26/37
D766,477 S *	9/2016	Ma	D26/37
D781,470 S *	3/2017	Hsieh	D26/24
D787,728 S *	5/2017	Wing	D26/37
D819,244 S *	5/2018	Wojan	D26/37
D828,938 S *	9/2018	Hou	D26/38
D829,354 S *	9/2018	Cacciabeve	D26/37
D838,395 S *	1/2019	Nguyen	D26/46
D849,975 S *	5/2019	Huang	D26/37
D875,979 S *	2/2020	Levy	D26/39
D878,648 S *	3/2020	Zhao	D26/37

* cited by examiner

Fig. 1

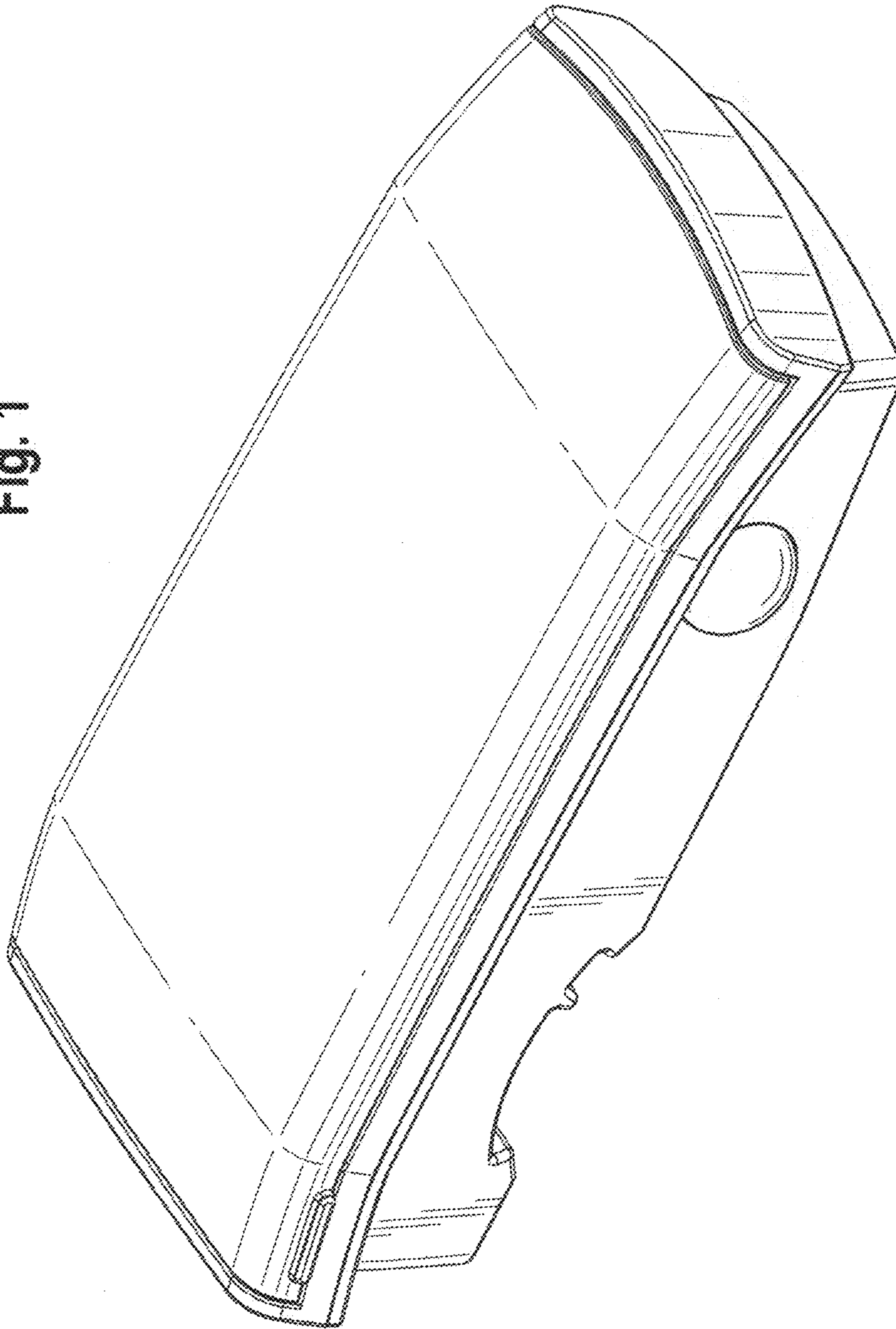


Fig. 2

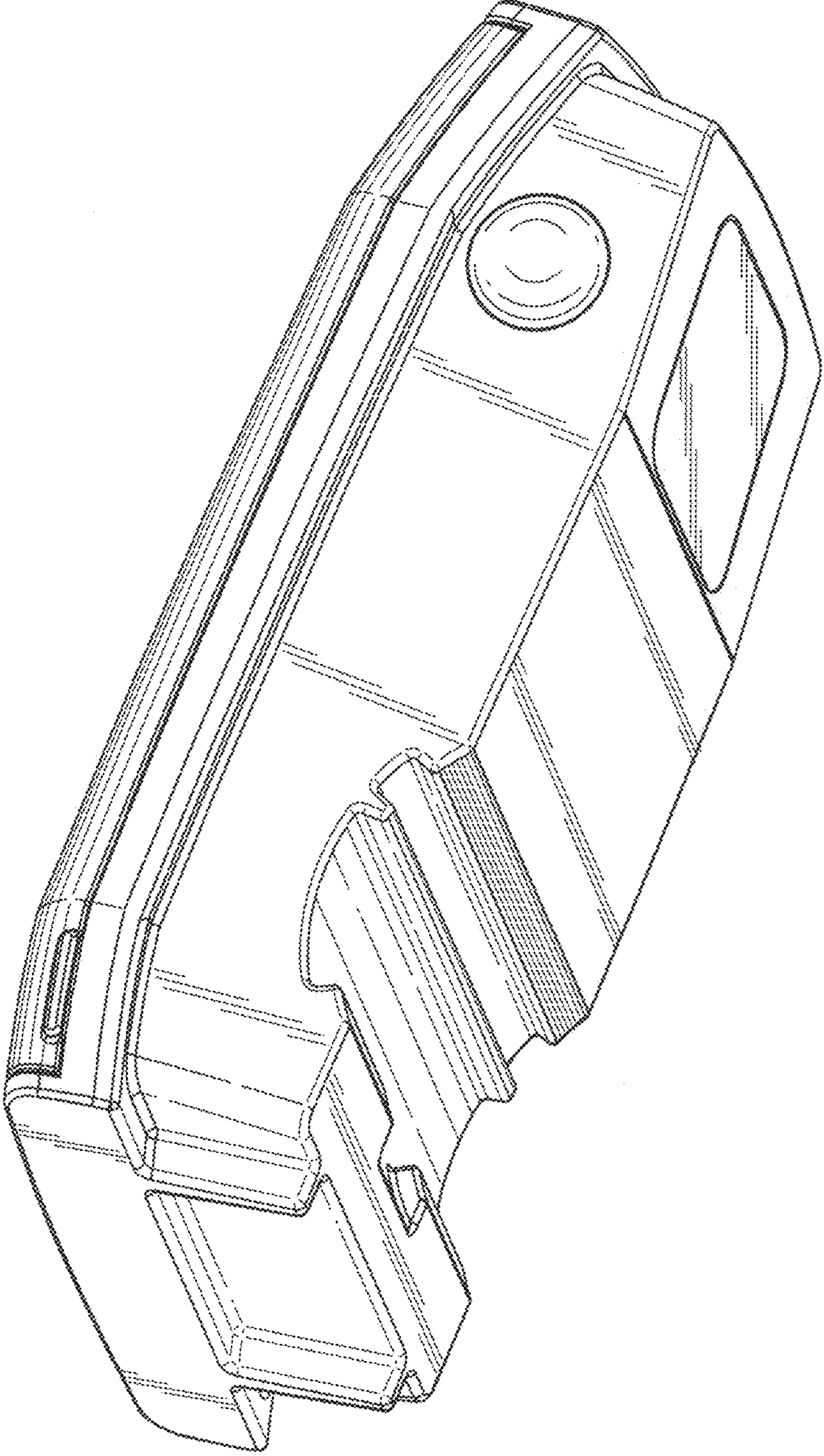


Fig. 3

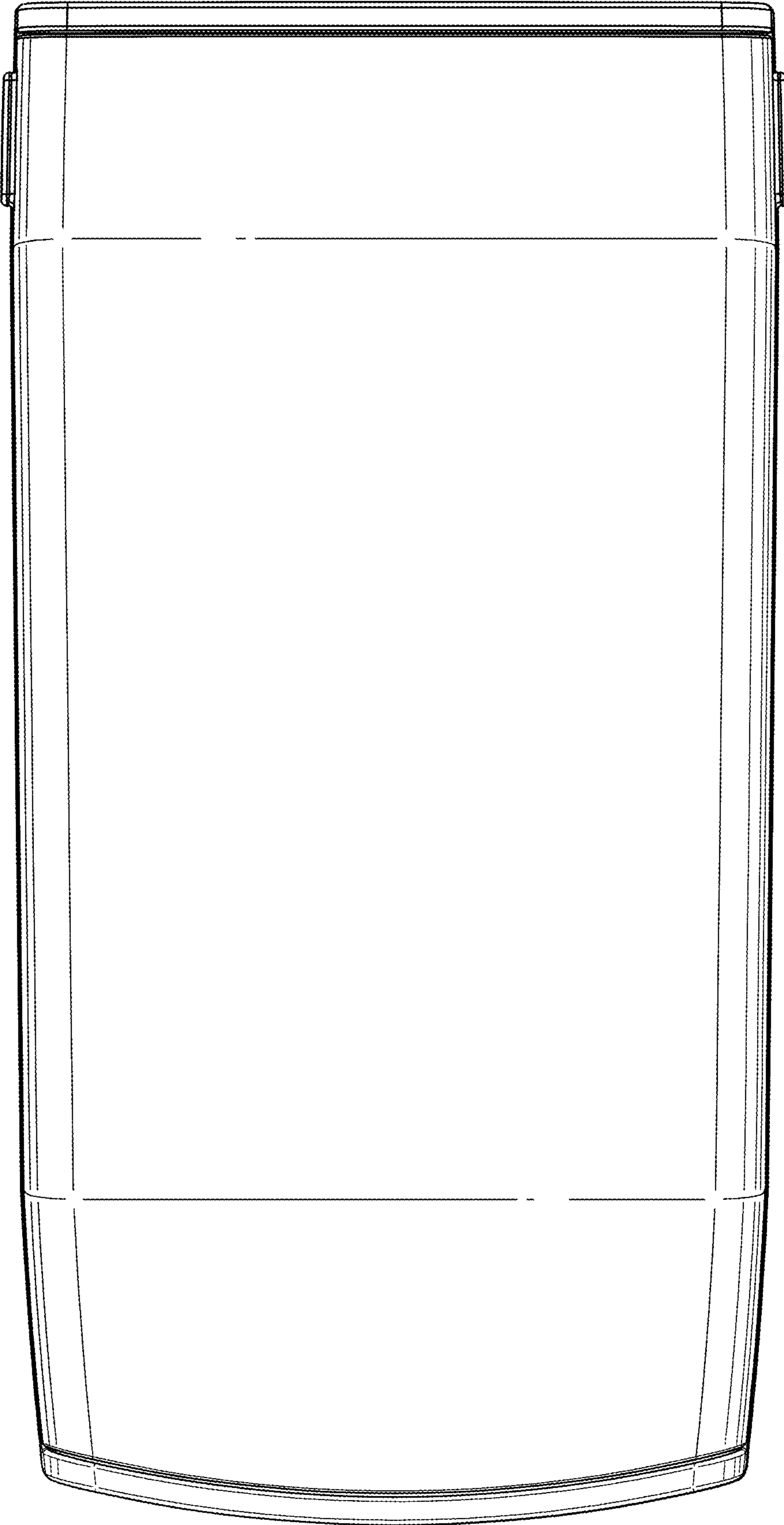


Fig. 4

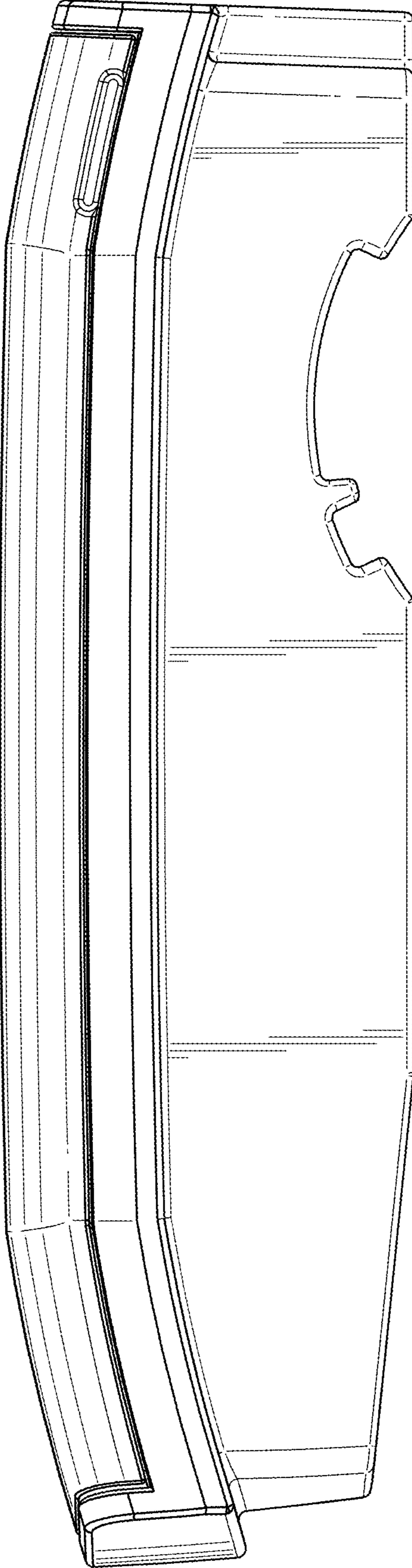


Fig. 5

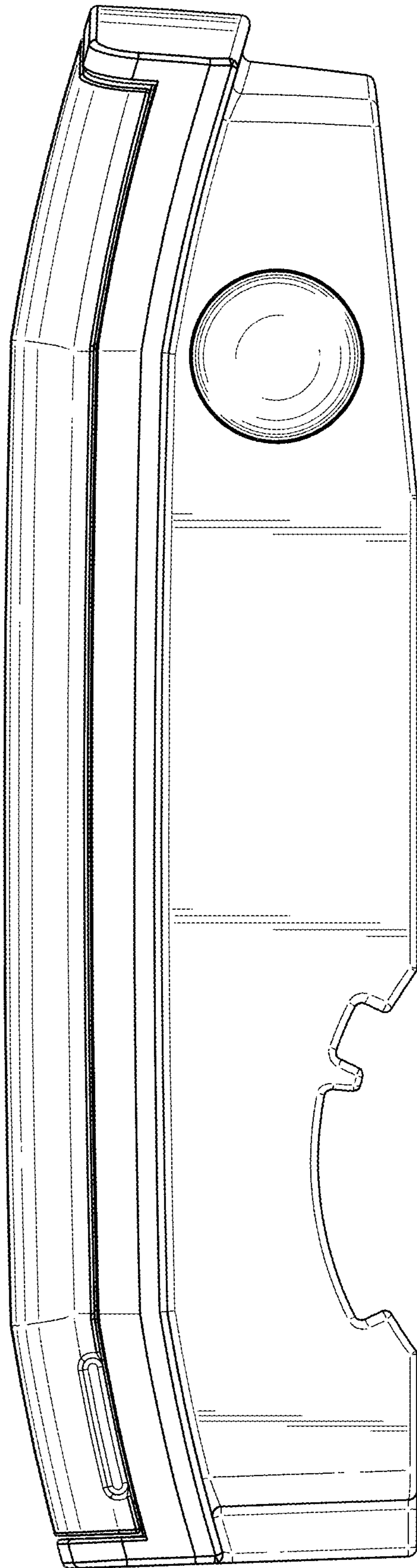


Fig. 6

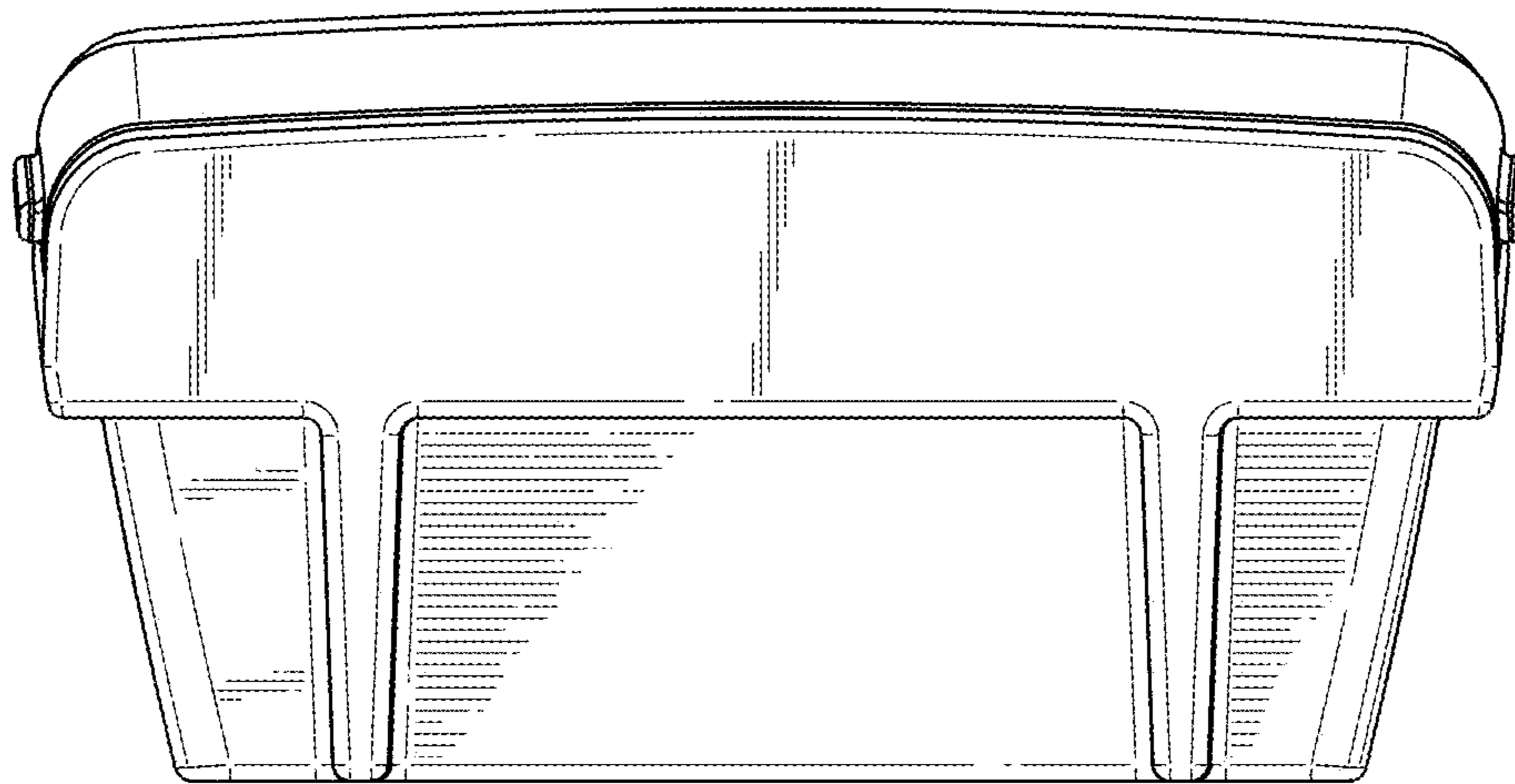


Fig. 7

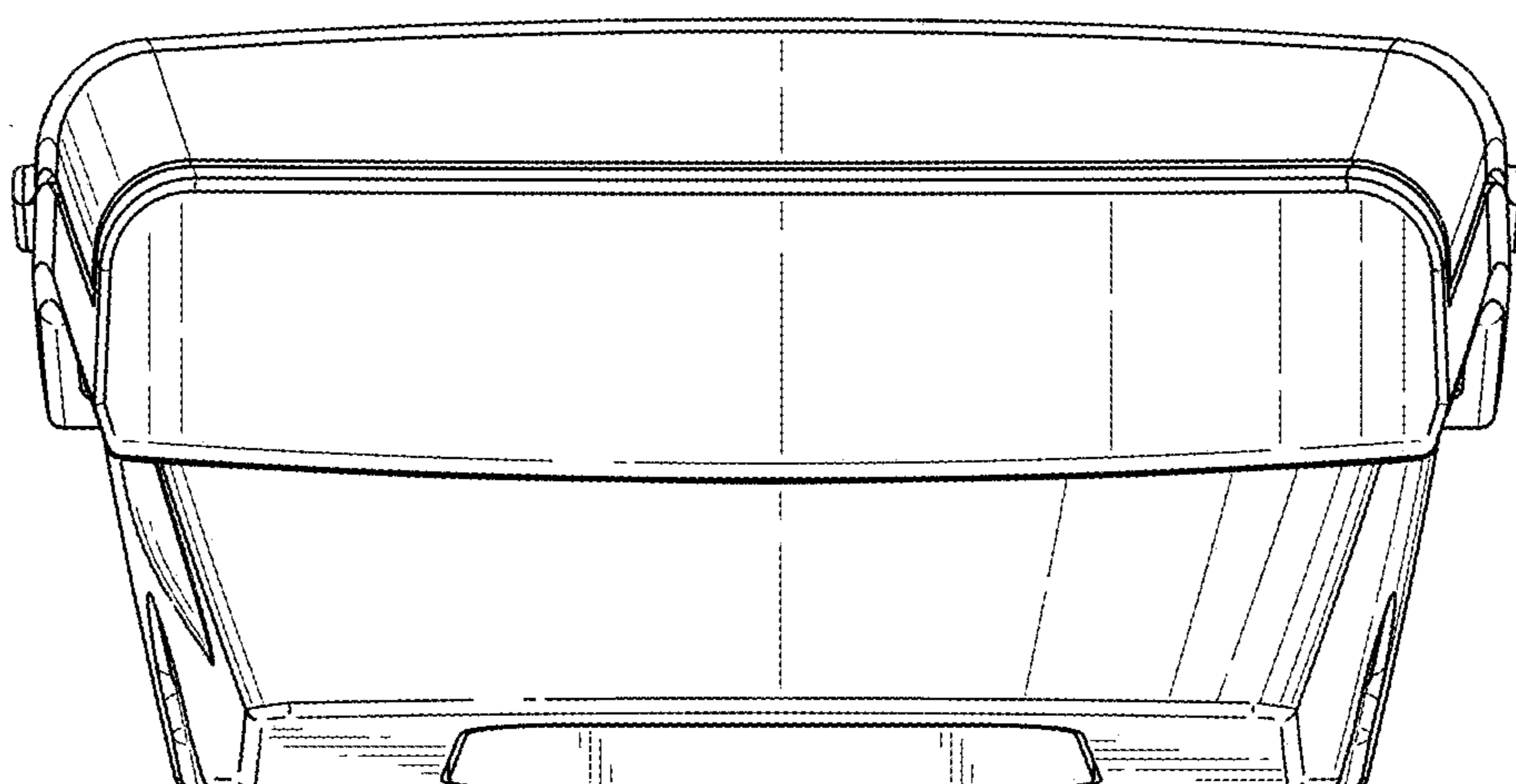


Fig. 8

