



US00D935079S

(12) **United States Design Patent** (10) **Patent No.:** **US D935,079 S**
Staton (45) **Date of Patent:** **** Nov. 2, 2021**

(54) **HOUSING WITH FLANGE FOR ELECTRICAL AND MECHANICAL COMPONENTS**

(71) Applicant: **NEWTONOID TECHNOLOGIES, L.L.C.**, Liberty, MO (US)

(72) Inventor: **Fielding B. Staton**, Liberty, MO (US)

(73) Assignee: **Newtonoid Technologies, L.L.C.**, Liberty, MO (US)

(**) Term: **15 Years**

(21) Appl. No.: **29/717,885**

(22) Filed: **Dec. 19, 2019**

(51) **LOC (13) Cl.** **26-02**

(52) **U.S. Cl.**
USPC **D26/49**
CPC **F21L 4/00** (2013.01)

(58) **Field of Classification Search**
USPC D26/37-51
CPC . F21L 4/005; F21L 4/025; F21L 4/027; F21L 4/04; F21L 4/08; F21L 13/00; F21L 13/08; F21L 14/02; F21L 19/00; F21L 2/00; F21L 4/00-4/085; F21L 15/00-15/14; F21L 2001/00; F21L 2003/00; F21L 2005/00; F21L 25/00
See application file for complete search history.

(56) **References Cited**

U.S. PATENT DOCUMENTS

D548,865 S * 8/2007 Meoli D26/40
D553,272 S * 10/2007 Leung D26/37
D560,010 S * 1/2008 Kwok D26/40

D576,756 S * 9/2008 DeBrunner D26/40
D646,412 S * 10/2011 Taiga D26/41
D648,055 S * 11/2011 Poon D26/41
D738,021 S * 9/2015 Wang D26/49
D738,553 S * 9/2015 Fletcher D26/41
D747,022 S * 1/2016 Leung D26/40
D747,523 S * 1/2016 Salmon D26/40
D776,315 S * 1/2017 Wu D26/41
D827,891 S * 9/2018 Kawabata D26/40
D832,480 S * 10/2018 Qiu D26/41
D843,038 S * 3/2019 Vyvey D26/40
D857,959 S * 8/2019 Yu D26/41
D865,709 S * 11/2019 Gentle D14/209

* cited by examiner

Primary Examiner — Richard E Chilcot

(74) *Attorney, Agent, or Firm* — Avant Law Group, LLC

(57) **CLAIM**

The ornamental design for a housing with flange for electrical and mechanical components, as shown and described.

DESCRIPTION

FIG. 1 is a perspective view of a housing with flange for electrical and mechanical components showing the new design.

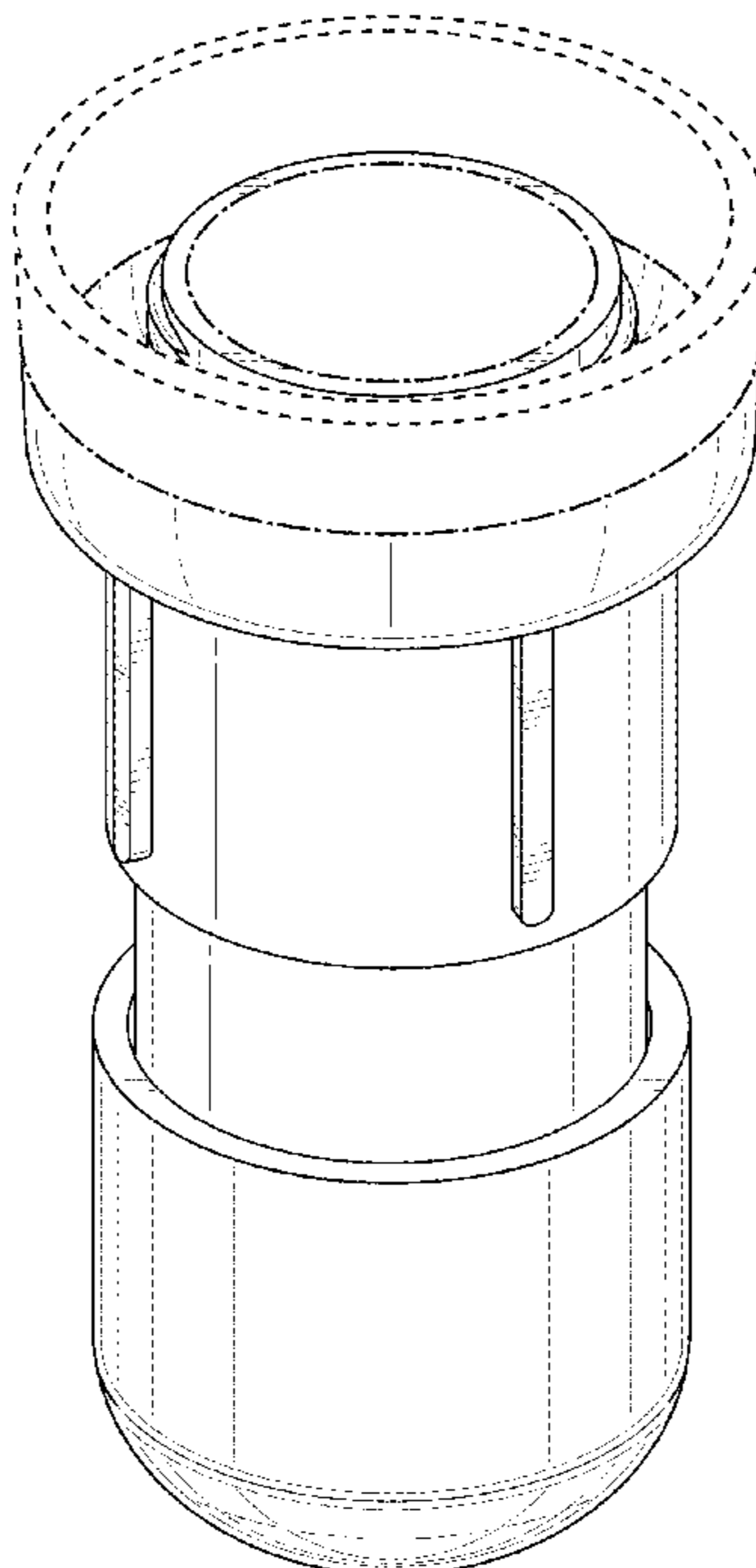
FIG. 2 is a top view of the housing with flange for electrical and mechanical components of FIG. 1.

FIG. 3 is a side view of the housing with flange for electrical and mechanical components of FIG. 1; and,

FIG. 4 is a bottom view of the housing with flange for electrical and mechanical components of FIG. 1.

The dashed lines in the drawings represent environmental structure that forms no part of the claimed design. The dash-dot-dash lines in the drawings represent boundaries that do not form part of the claimed design.

1 Claim, 4 Drawing Sheets



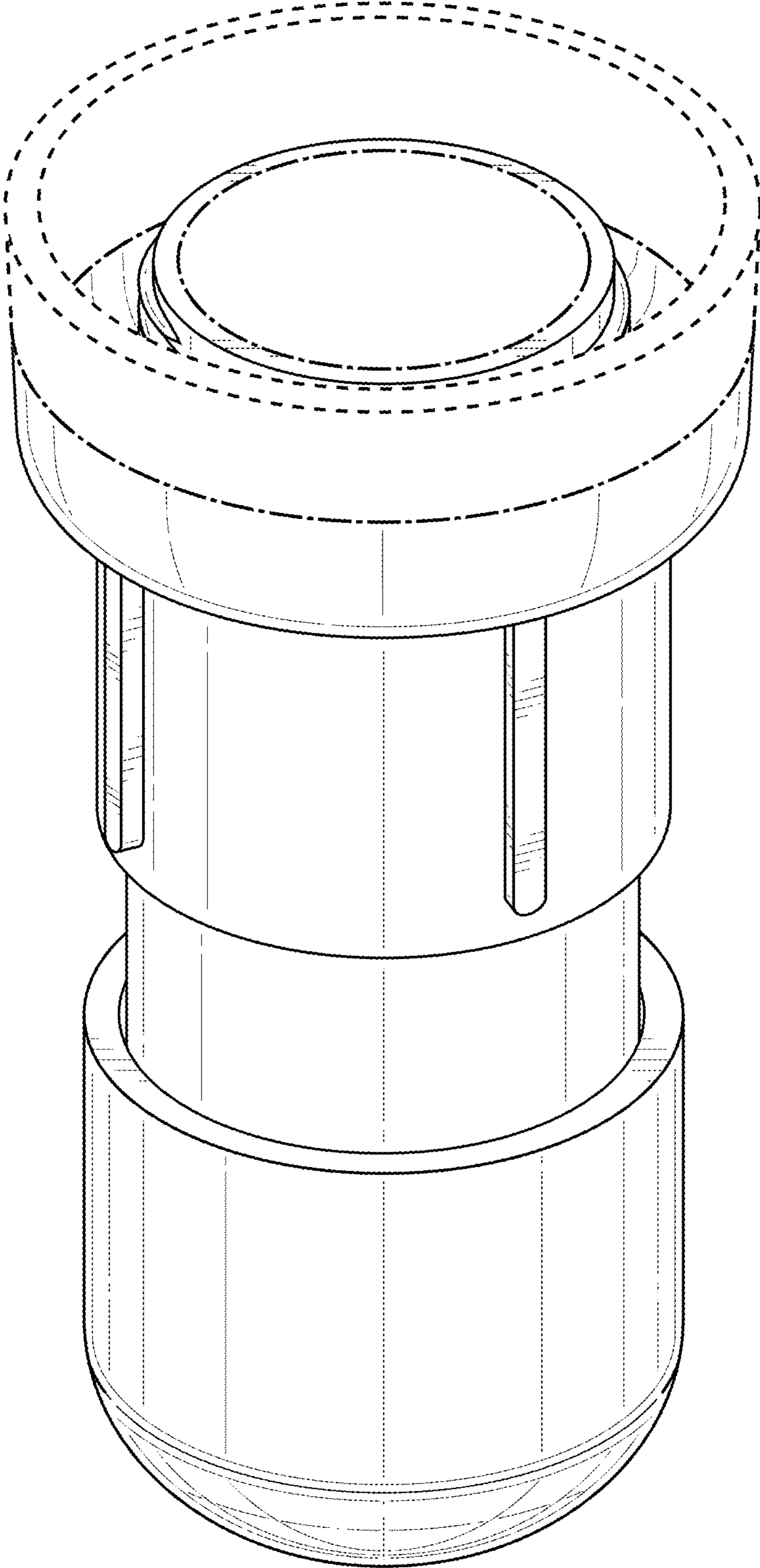


FIG. 1

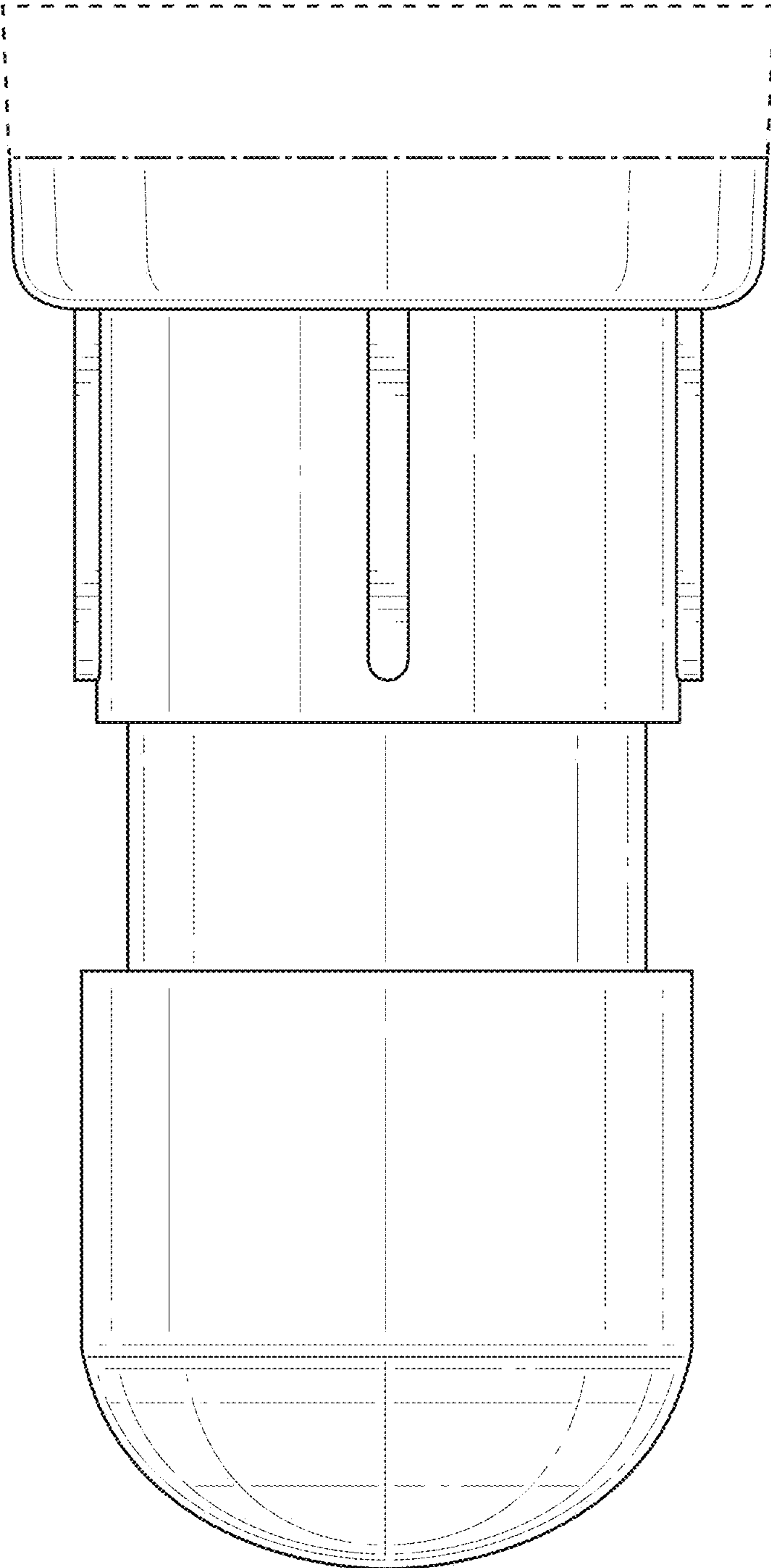


FIG. 2

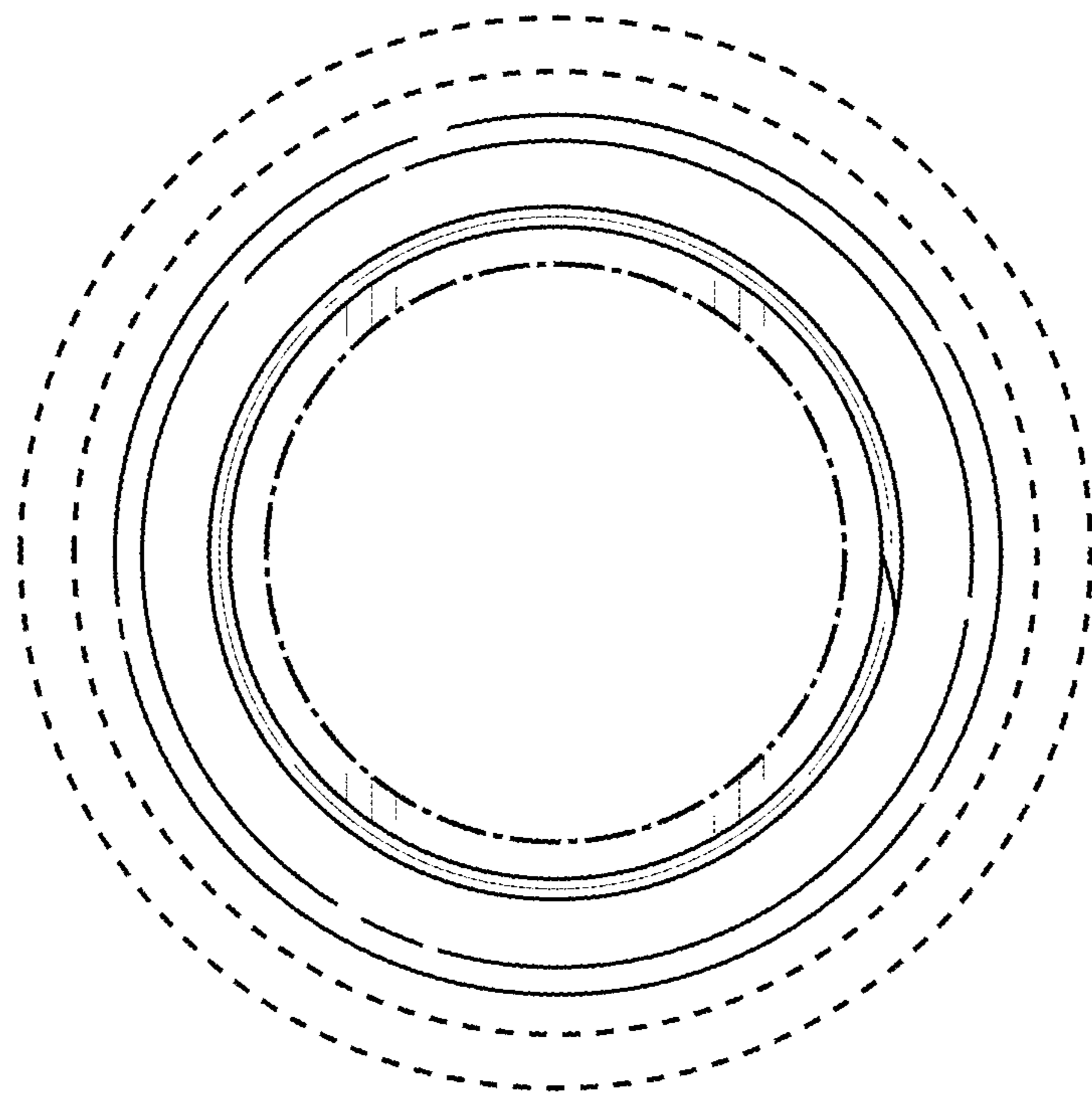


FIG. 3

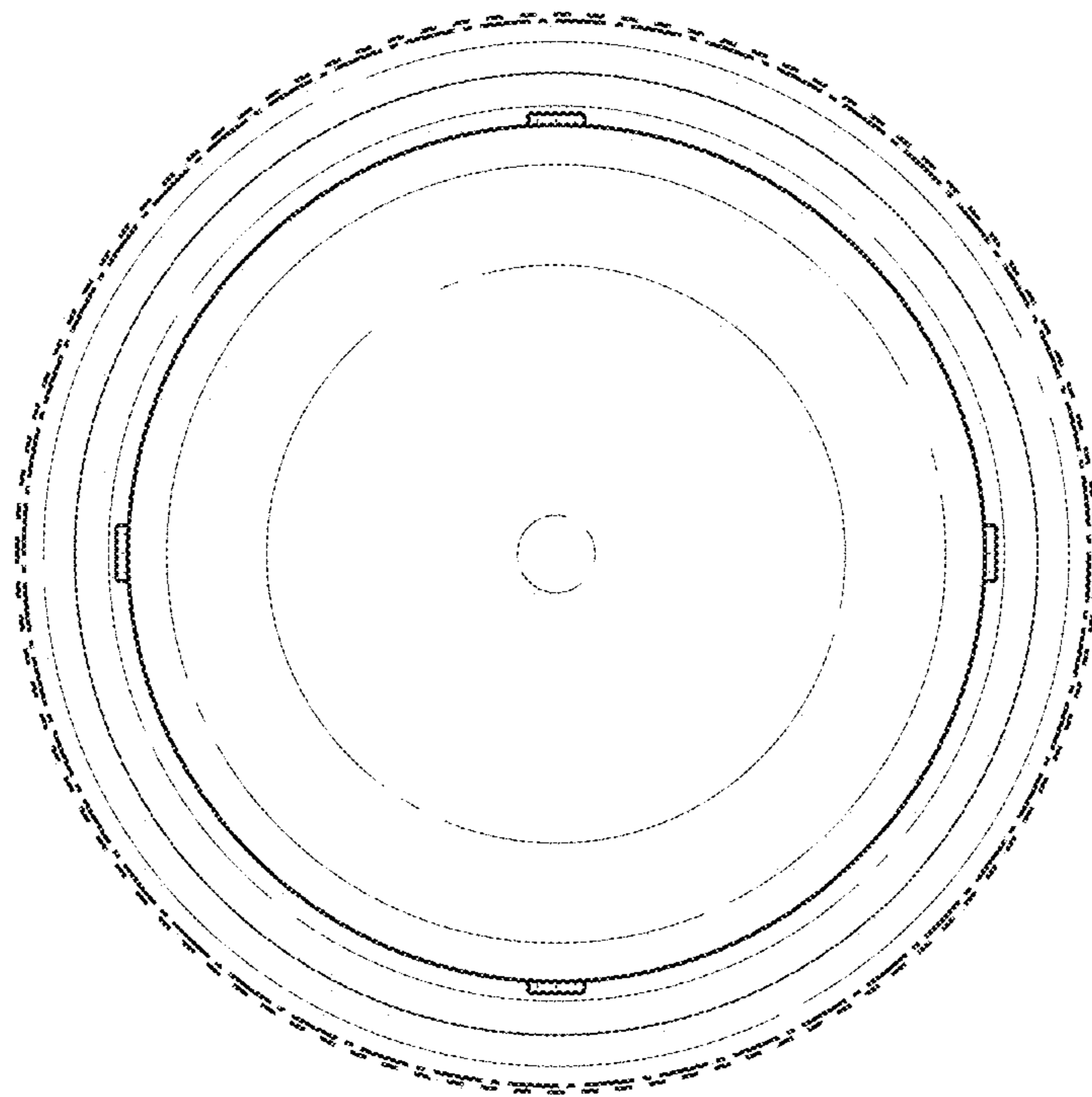


FIG. 4