



US00D935078S

(12) **United States Design Patent** (10) **Patent No.:** **US D935,078 S**
Chan et al. (45) **Date of Patent:** **** Nov. 2, 2021**

(54) **LIGHTING DEVICE**

(71) Applicant: **Energizer Brands, LLC**, St. Louis, MO (US)

(72) Inventors: **Sin Kwan Chan**, St. Louis, MO (US); **Wai Hung Liu**, Ma On Shan (HK); **Michael Jerome**, Kowloon (HK); **H. Y. Lam**, Kowloon (HK)

(73) Assignee: **Energizer Brands, LLC**, St. Louis, MO (US)

(**) Term: **15 Years**

(21) Appl. No.: **29/718,072**

(22) Filed: **Dec. 20, 2019**

(51) **LOC (13) Cl.** **26-02**

(52) **U.S. Cl.**
USPC **D26/44**
CPC **F21L 4/00** (2013.01)

(58) **Field of Classification Search**

USPC D26/37-51, 63
CPC F21L 2003/00; F21L 4/005; F21L 4/025; F21L 4/027; F21L 4/04; F21L 4/08; F21L 13/00; F21L 13/08; F21L 14/02; F21L 19/00; F21L 2/00; F21L 4/00-4/085; F21L 15/00-15/14; F21L 2001/00; F21L 2005/00; F21L 25/00

See application file for complete search history.

(56) **References Cited**

U.S. PATENT DOCUMENTS

D448,873 S 10/2001 Dalton et al.
D545,468 S 6/2007 Mak
D553,771 S * 10/2007 Watson D26/37
D558,369 S * 12/2007 O'Hern D26/42

(Continued)

OTHER PUBLICATIONS

Energizer, Hardcase Professional Work Light HCAL41, [brochure], Copyright 2015, retrieved from <https://static.guillevin.com/media/>

specs/360/SPECSHEET/941d4777-1b31-4cd2-a17e-4dd067ecb758.pdf on Mar. 19, 2020, 1 page.

Primary Examiner — Richard E Chilcot

(74) *Attorney, Agent, or Firm* — Alston & Bird LLP

(57) **CLAIM**

The ornamental design for a lighting device, as shown and described.

DESCRIPTION

FIG. 1 is a top bottom perspective view of a lighting device in a closed configuration according to an exemplary embodiment of the present design.

FIG. 2 is a bottom top perspective view of the lighting device of FIG. 1.

FIG. 3 is a front view the lighting device of FIG. 1.

FIG. 4 is a back view of the lighting device of FIG. 1.

FIG. 5 is a left side view of the lighting device of FIG. 1.

FIG. 6 is a right side view of the lighting device of FIG. 1.

FIG. 7 is a top view of the lighting device of FIG. 1.

FIG. 8 is a bottom view of the lighting device of FIG. 1.

FIG. 9 is a front perspective view of the lighting device of FIG. 1 in an open configuration.

FIG. 10 is a bottom rear perspective view of the lighting device in the open configuration of FIG. 9.

FIG. 11 is a front view the lighting device in the open configuration of FIG. 9.

FIG. 12 is a back view of the lighting device in the open configuration of FIG. 9.

FIG. 13 is a left side view of the lighting device in the open configuration of FIG. 9.

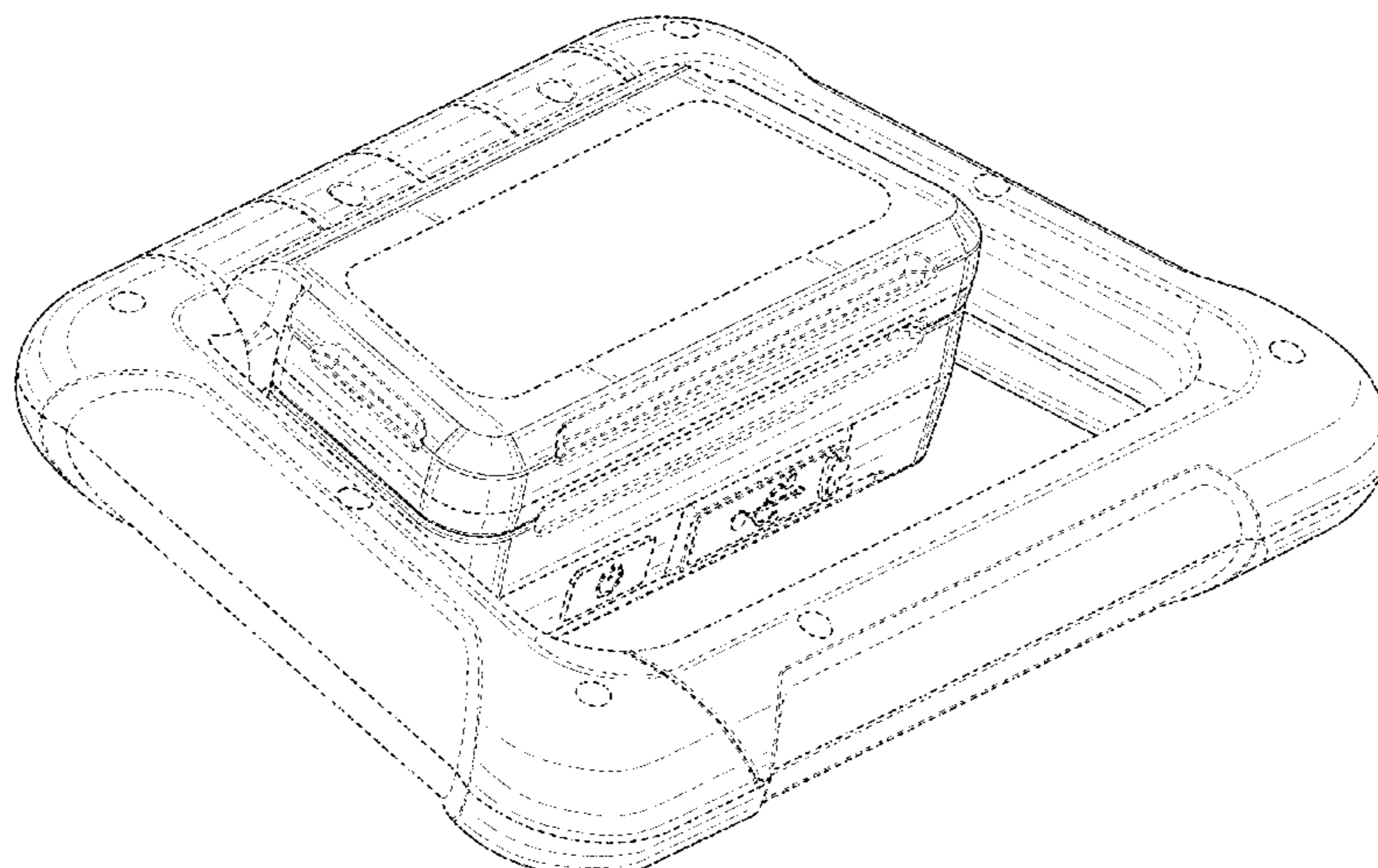
FIG. 14 is a right side view of the lighting device in the open configuration of FIG. 9.

FIG. 15 is a top view of the lighting device in the open configuration of FIG. 9; and,

FIG. 16 is a bottom view of the lighting device in the open configuration of FIG. 9.

The broken lines are directed to unclaimed features of the lighting device and form no part of the claimed design.

1 Claim, 15 Drawing Sheets



(56)

References Cited

U.S. PATENT DOCUMENTS

D565,766 S 4/2008 Shiu
 D581,076 S 11/2008 Brown et al.
 D588,733 S * 3/2009 O'Hern D26/42
 D593,236 S * 5/2009 Ng D26/37
 D622,879 S 8/2010 Kotsis et al.
 D650,105 S 12/2011 Crawford et al.
 D661,009 S 5/2012 Bennett et al.
 D663,471 S 7/2012 Bennett et al.
 D677,412 S 3/2013 Smith
 D693,499 S 11/2013 Bennett et al.
 D705,467 S 5/2014 Aglassinger
 D744,680 S 12/2015 Ma
 D763,494 S 8/2016 Ma
 D770,070 S 10/2016 Zhou et al.
 D773,704 S 12/2016 Pardo et al.
 D783,872 S 4/2017 Aksnes
 D809,207 S 1/2018 Hussain
 D809,690 S 2/2018 Marshall
 D818,620 S 5/2018 Brown et al.
 9,976,724 B2 5/2018 Bennett et al.

D820,489 S * 6/2018 Zhang D26/44
 D822,246 S * 7/2018 Hou D26/51
 D823,507 S 7/2018 Pontano et al.
 D827,170 S * 8/2018 Zhang D26/44
 D828,938 S * 9/2018 Hou D26/38
 D835,315 S * 12/2018 Zhu D26/44
 D835,820 S * 12/2018 Zhu D26/44
 D840,073 S * 2/2019 Bian D26/37
 D844,203 S 3/2019 Ma
 D844,872 S 4/2019 Plott
 D844,875 S 4/2019 Jeon
 D849,975 S * 5/2019 Huang D26/37
 D850,683 S 6/2019 Shelton
 D857,959 S 8/2019 Yu
 D875,284 S * 2/2020 Cacciabeve D26/37
 D875,978 S * 2/2020 Willows D26/39
 D877,948 S * 3/2020 Thompson D26/37
 D880,743 S * 4/2020 Qiu D26/63
 D890,395 S * 7/2020 Bertken D26/37
 D893,069 S * 8/2020 Bertken D26/37
 D896,417 S * 9/2020 Huang D26/37
 D898,254 S * 10/2020 Himelright D26/38
 D899,657 S * 10/2020 You D26/63

* cited by examiner

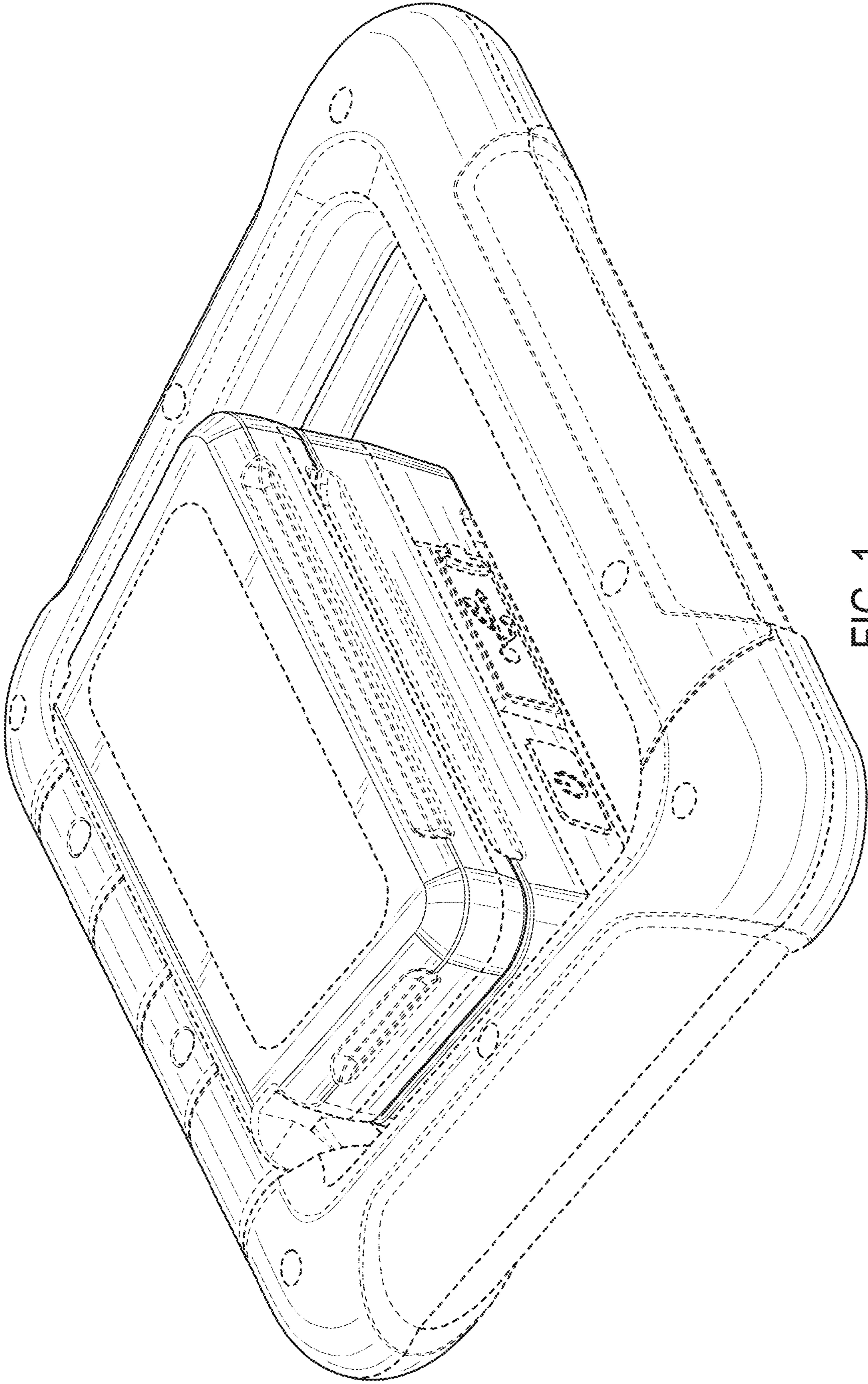


FIG. 1

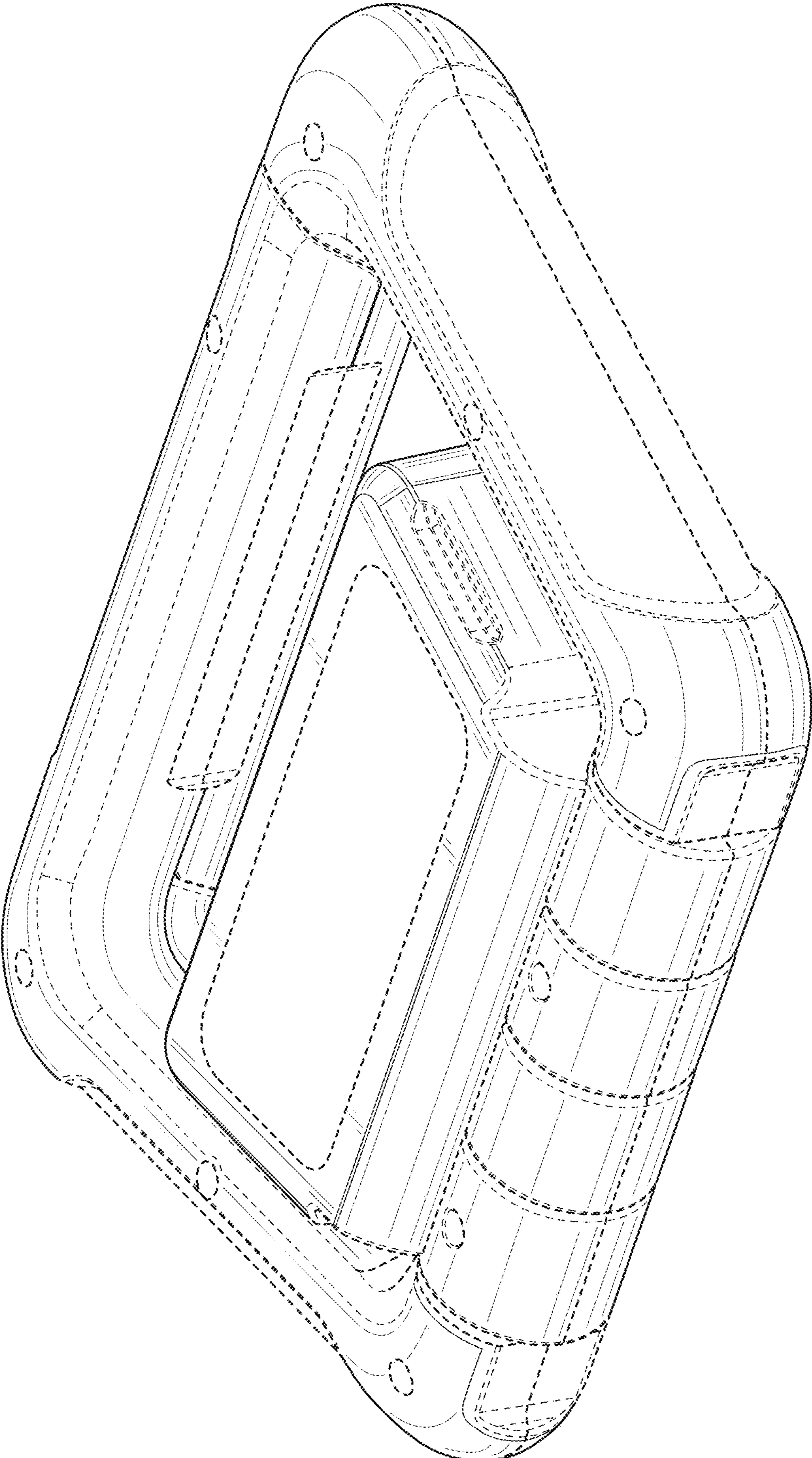


FIG. 2

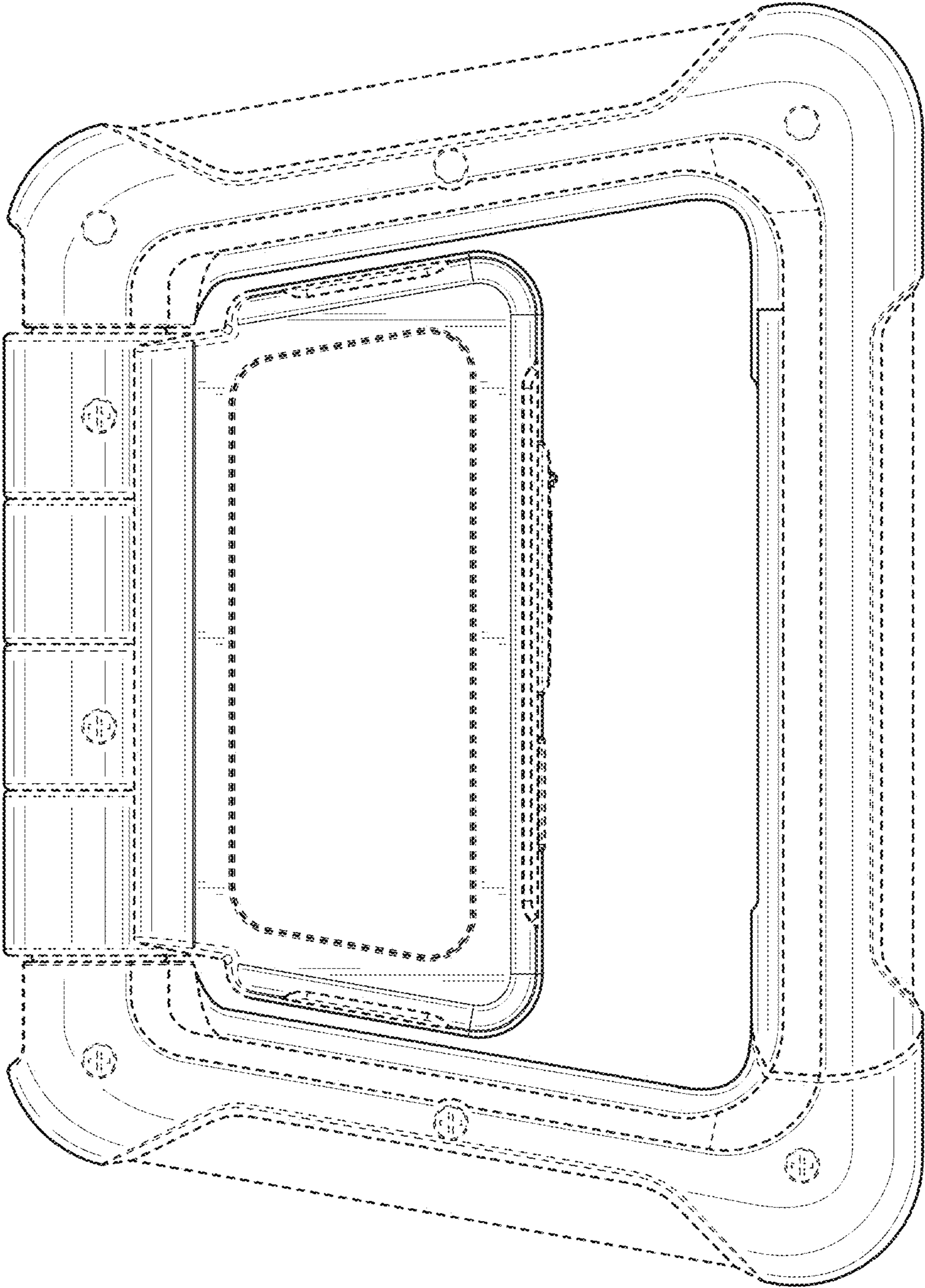


FIG. 3

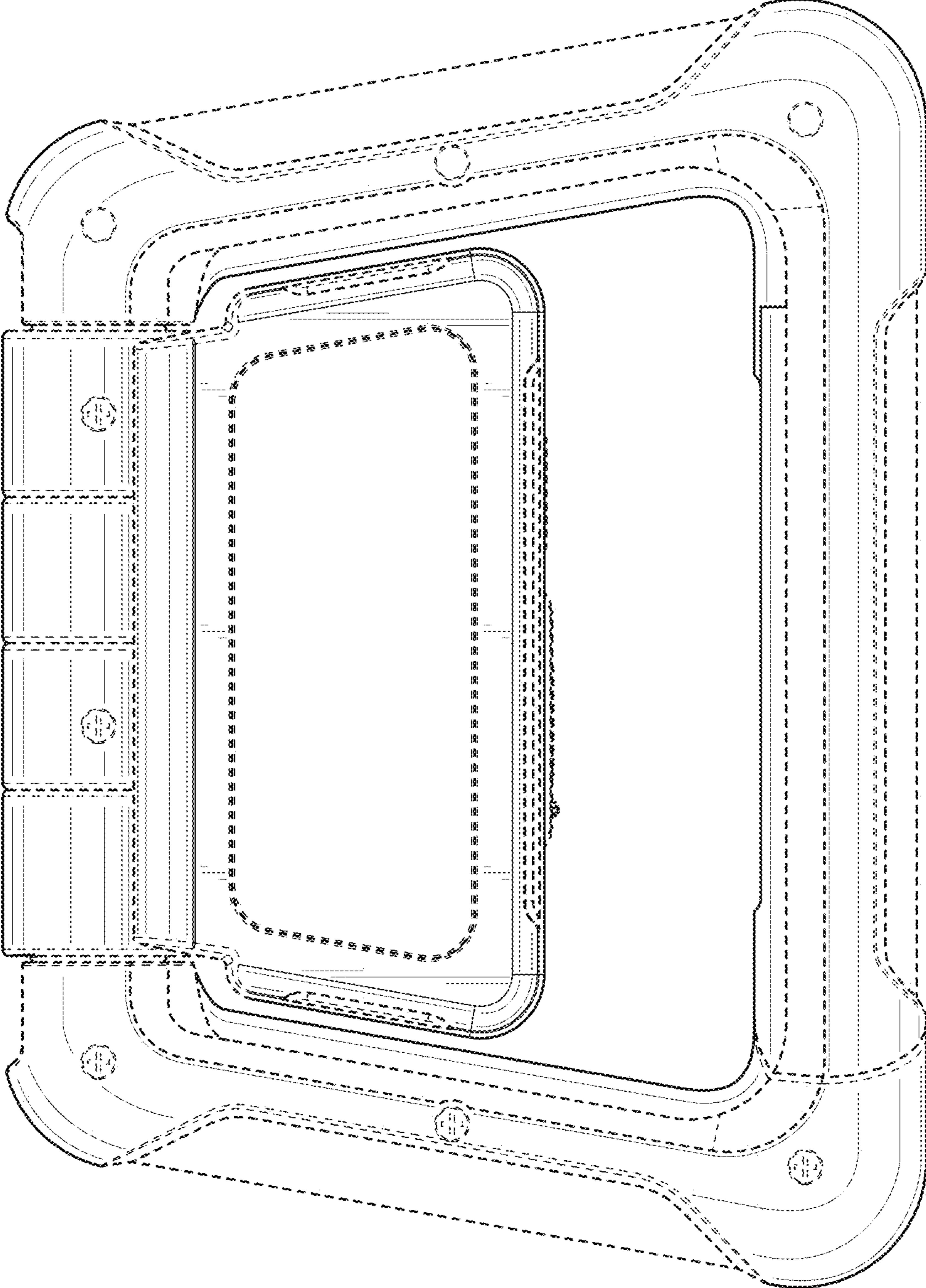


FIG. 4

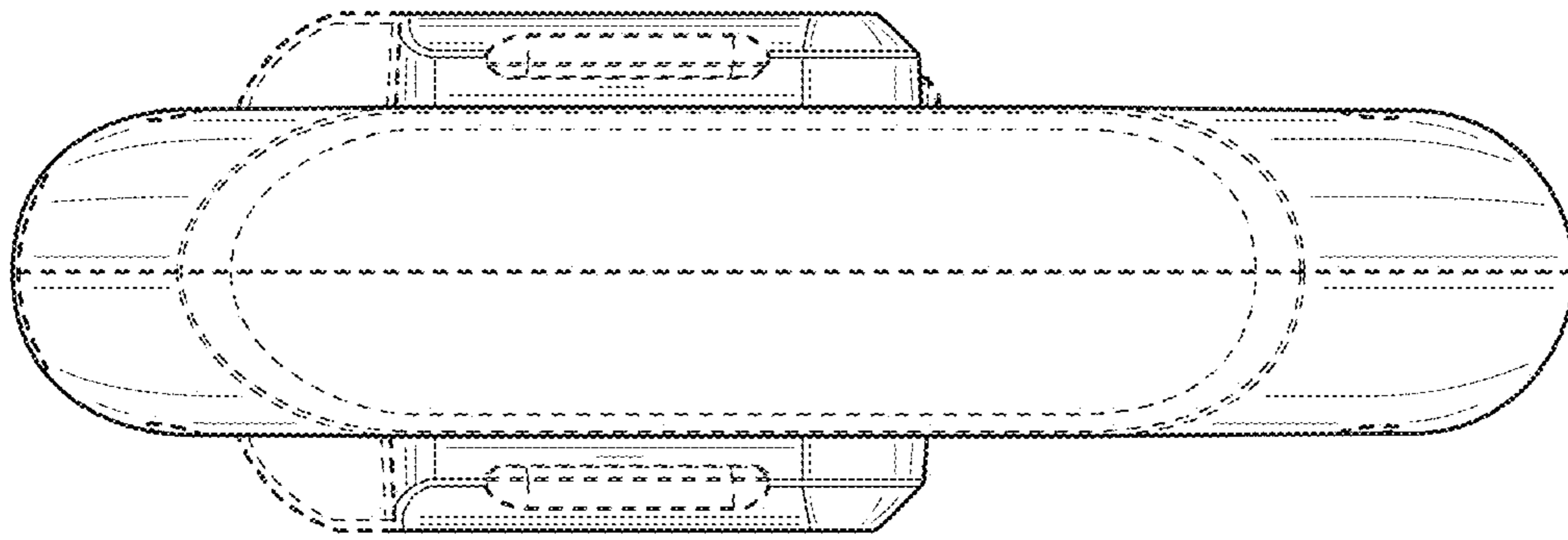


FIG. 6

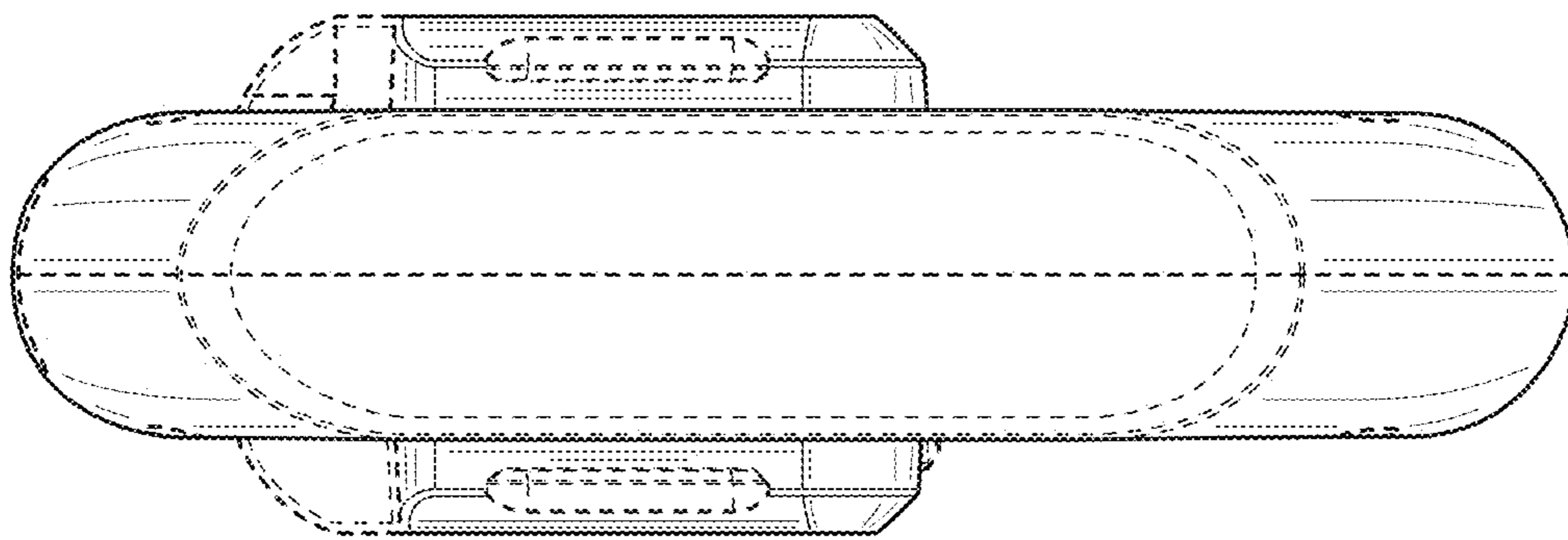


FIG. 5

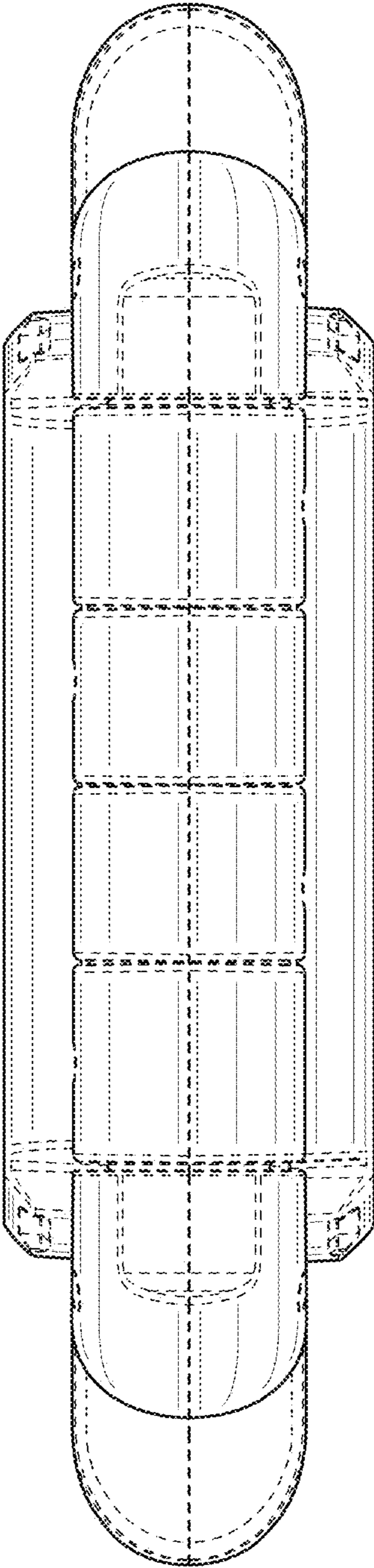


FIG. 7

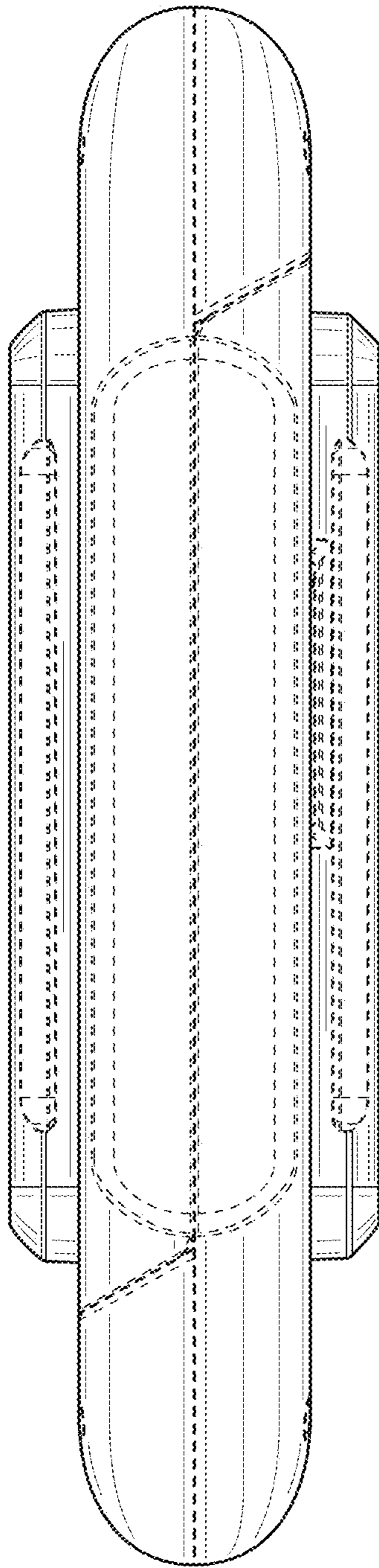


FIG. 8

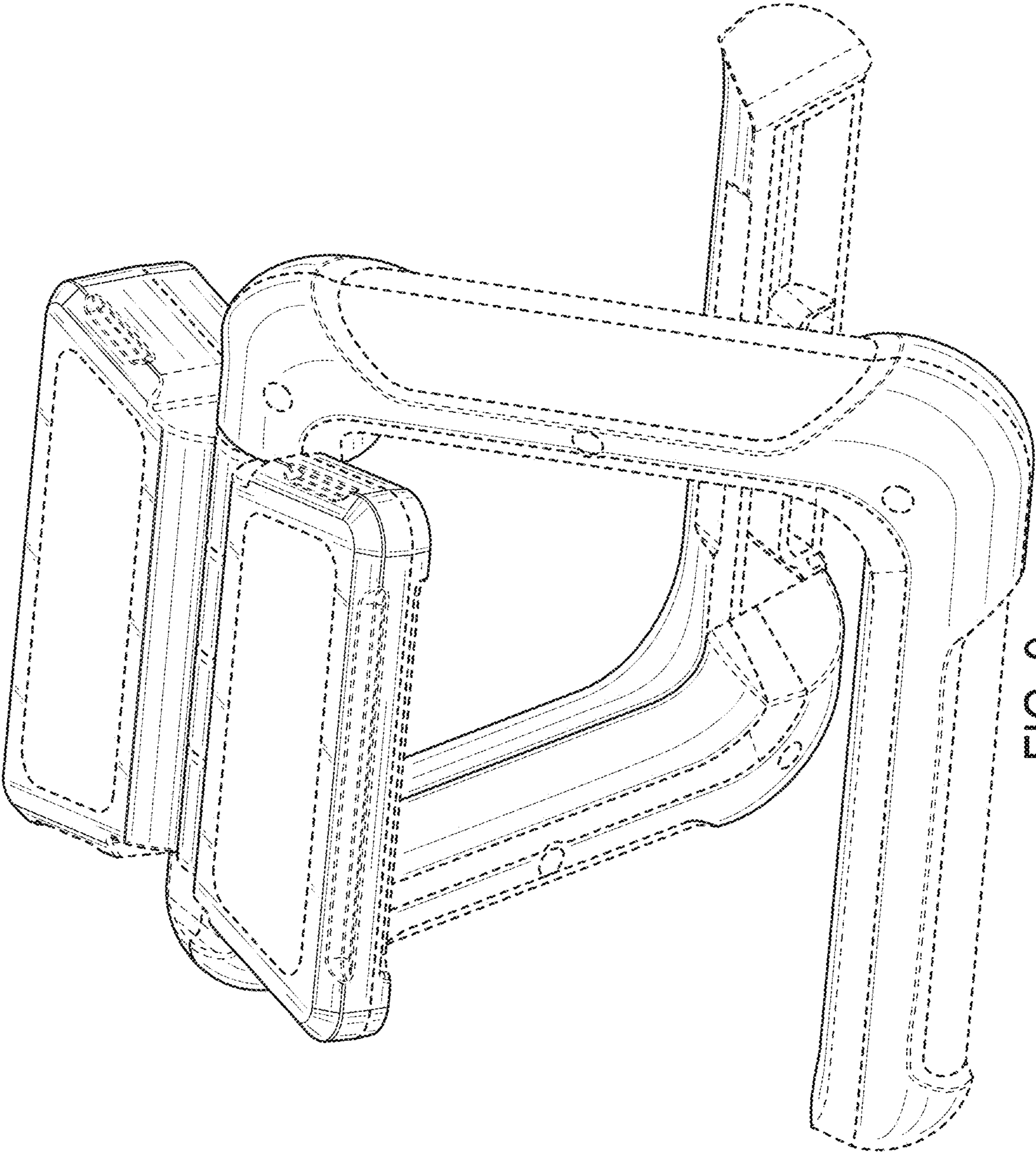


FIG. 9

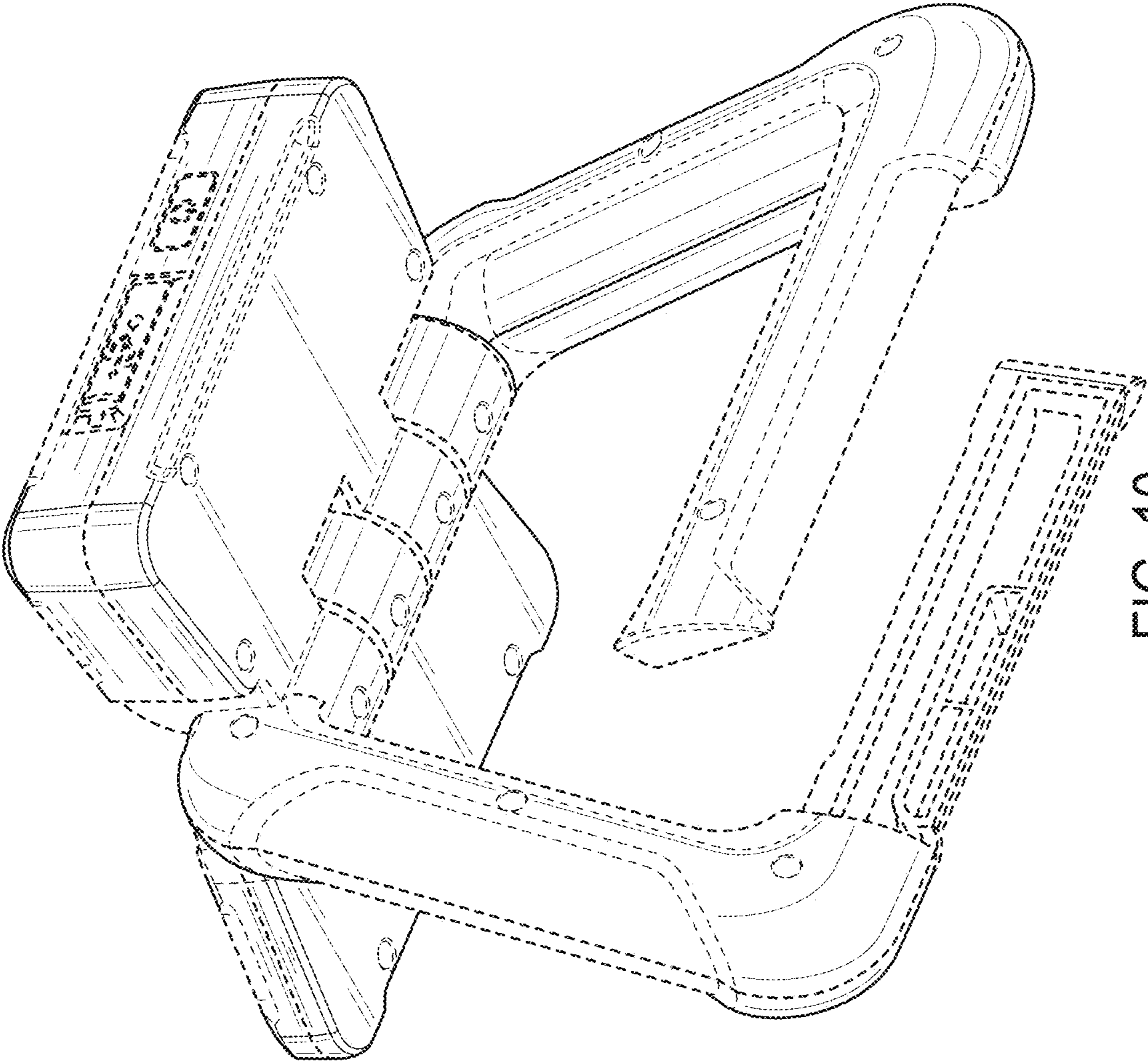


FIG. 10

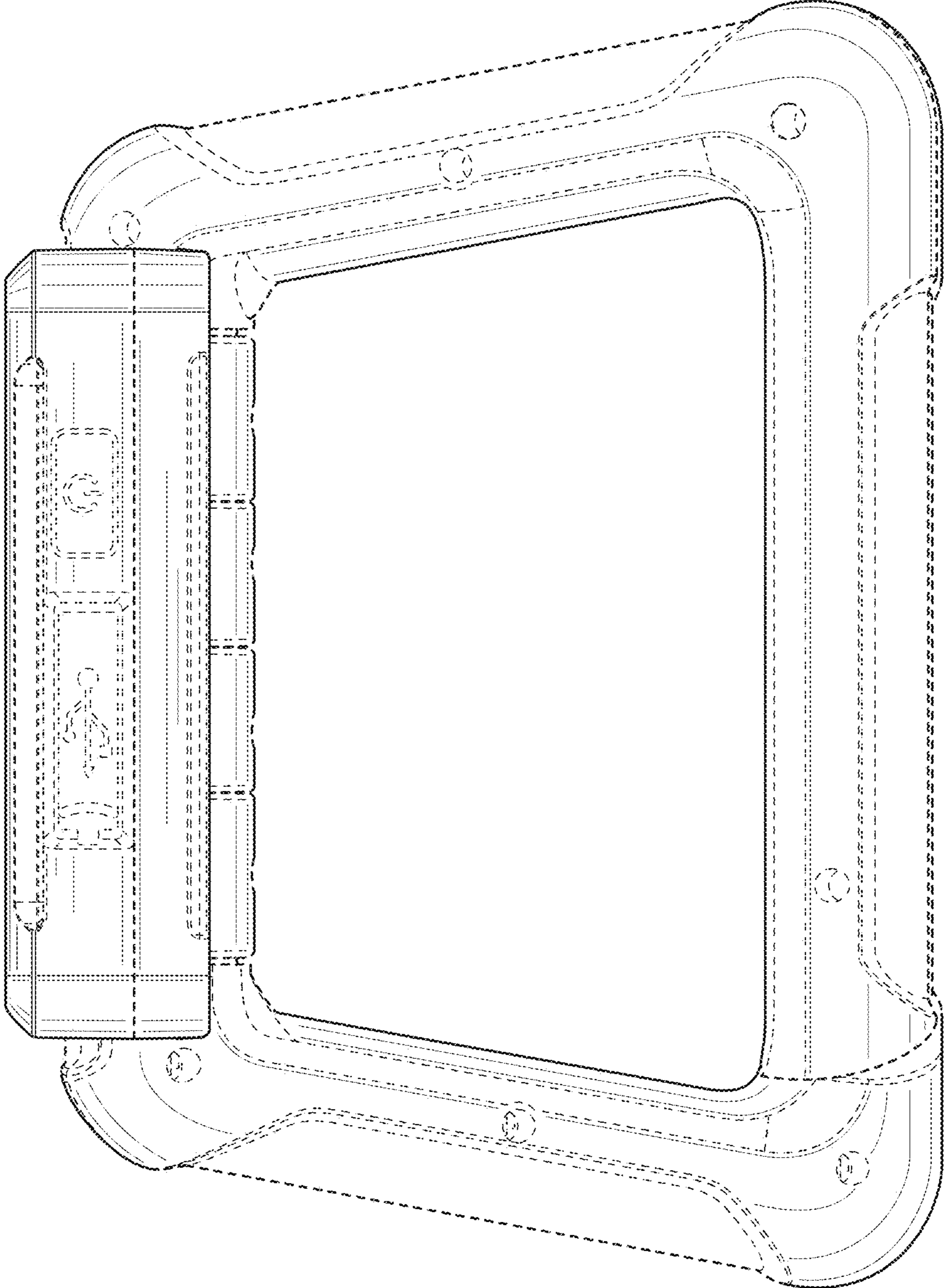


FIG. 11

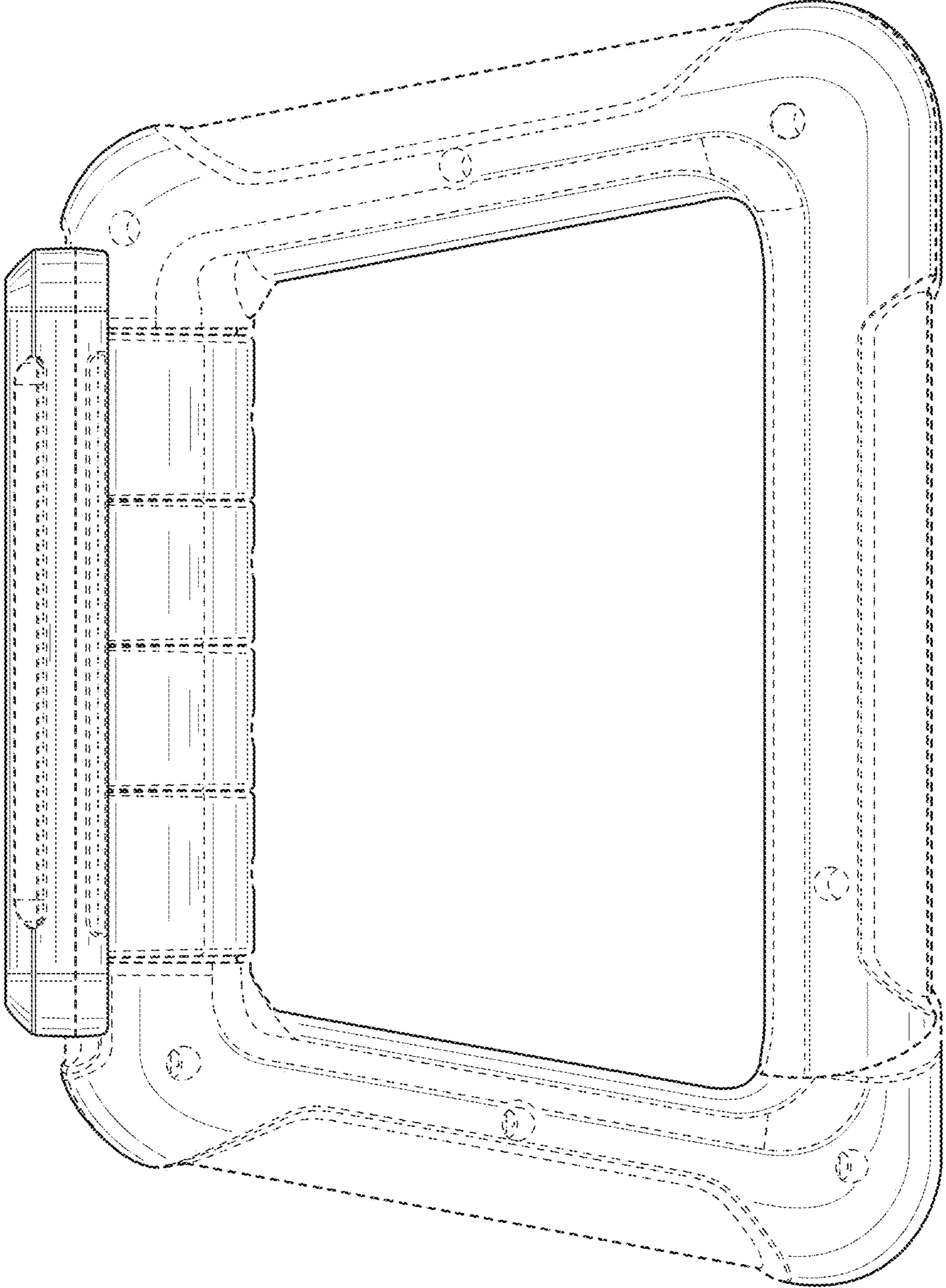


FIG. 12

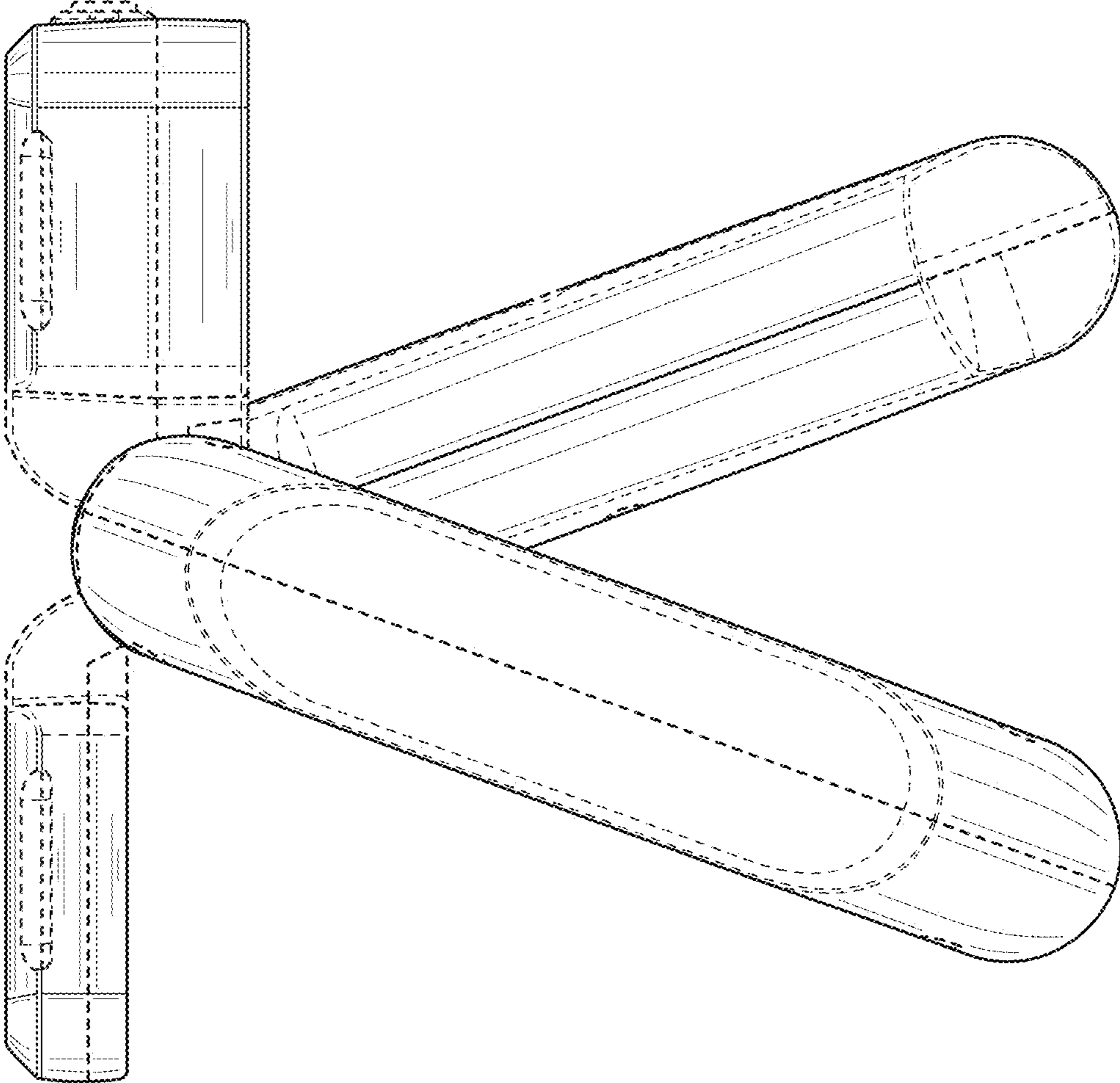


FIG. 13

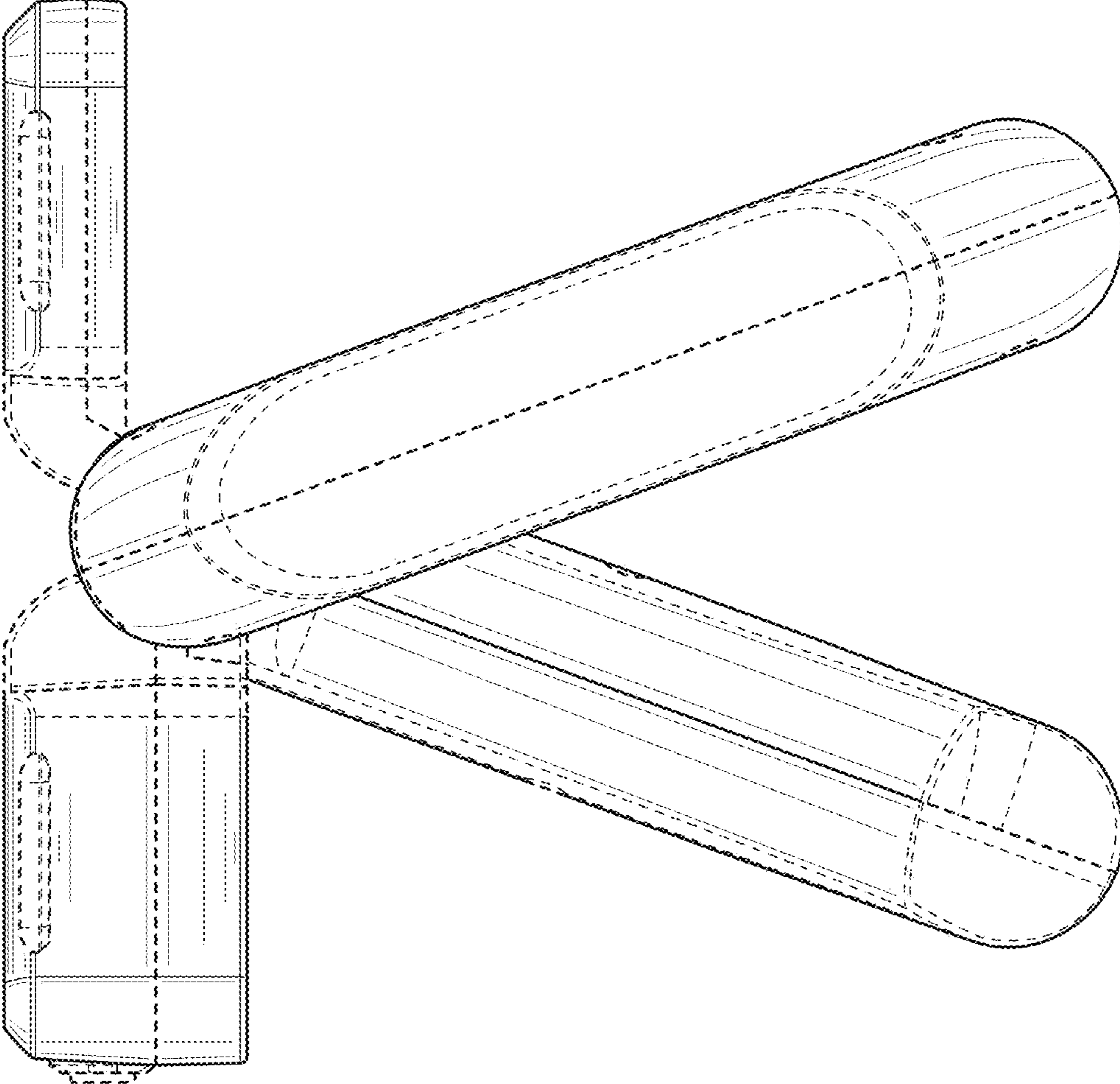


FIG. 14

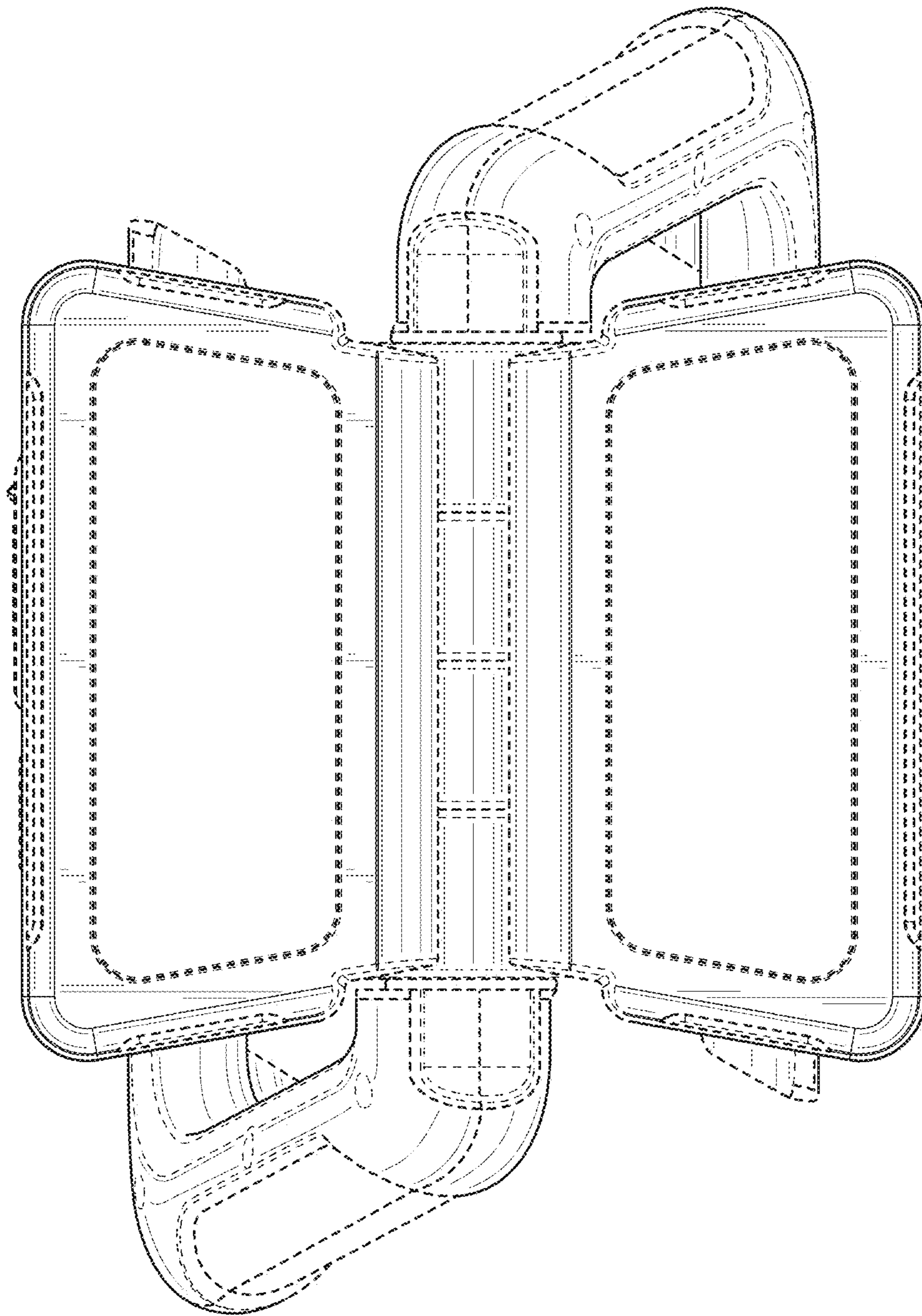


FIG. 15

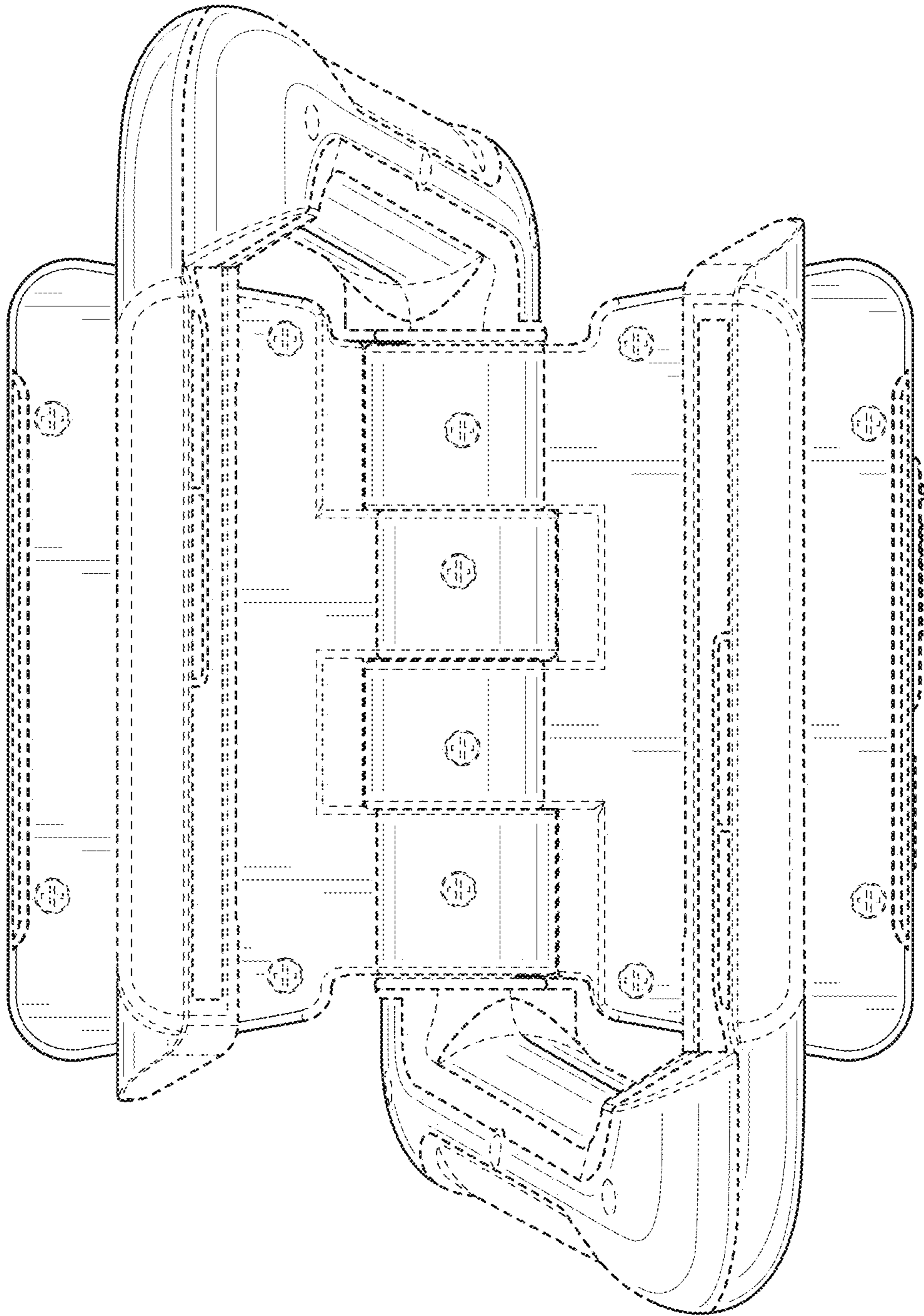


FIG. 16