



US00D935077S

(12) **United States Design Patent** (10) **Patent No.:** **US D935,077 S**
Dai (45) **Date of Patent:** **** Nov. 2, 2021**

(54) **LAMP**
(71) Applicant: **Ruiding Dai**, Zhejiang (CN)
(72) Inventor: **Ruiding Dai**, Zhejiang (CN)
(73) Assignee: **Ruiding Dai**, Ningbo (CN)
(**) Term: **15 Years**
(21) Appl. No.: **29/716,205**

D849,975 S * 5/2019 Huang D26/37
D857,958 S * 8/2019 Willows D26/38
D875,284 S * 2/2020 Cacciabeve D26/37
D875,285 S * 2/2020 Prieto D26/37
D875,978 S * 2/2020 Willows D26/39
D877,948 S * 3/2020 Thompson D26/37
D880,743 S * 4/2020 Qiu D26/63
D884,941 S * 5/2020 Zaderej D26/37
D889,712 S * 7/2020 Liu D26/37
D890,395 S * 7/2020 Bertken D26/37
D893,069 S * 8/2020 Bertken D26/37
D896,417 S * 9/2020 Huang D26/37

(Continued)

(22) Filed: **Dec. 6, 2019**
(51) **LOC (13) Cl.** **26-02**
(52) **U.S. Cl.**
USPC **D26/44**
(58) **Field of Classification Search**
USPC D26/37-51, 63
CPC F21L 2003/00; F21L 4/005; F21L 4/025;
F21L 4/027; F21L 4/04; F21L 4/08; F21L
13/00; F21L 13/08; F21L 14/02; F21L
19/00; F21L 2/00; F21L 4/00-4/085;
F21L 15/00-15/14; F21L 2001/00; F21L
2005/00; F21L 25/00
See application file for complete search history.

OTHER PUBLICATIONS

Amazon.com_ RUNACC LED luz de trabajo recargable USB recargable portátil impermeable <https://www.amazon.com/RUNACC-Rechargeable-Waterproof-Emergency-360%C2%B0Rotation/dp/B07XM2SQPR?th=1> Sep. 15, 2019 (Year: 2019).*

Primary Examiner — Leanne Was-Englehart
(74) *Attorney, Agent, or Firm* — Dragon Sun Law Firm, PC; Jinggao Li, Esq.

(57) **CLAIM**

The ornamental design for a lamp, as shown and described.

DESCRIPTION

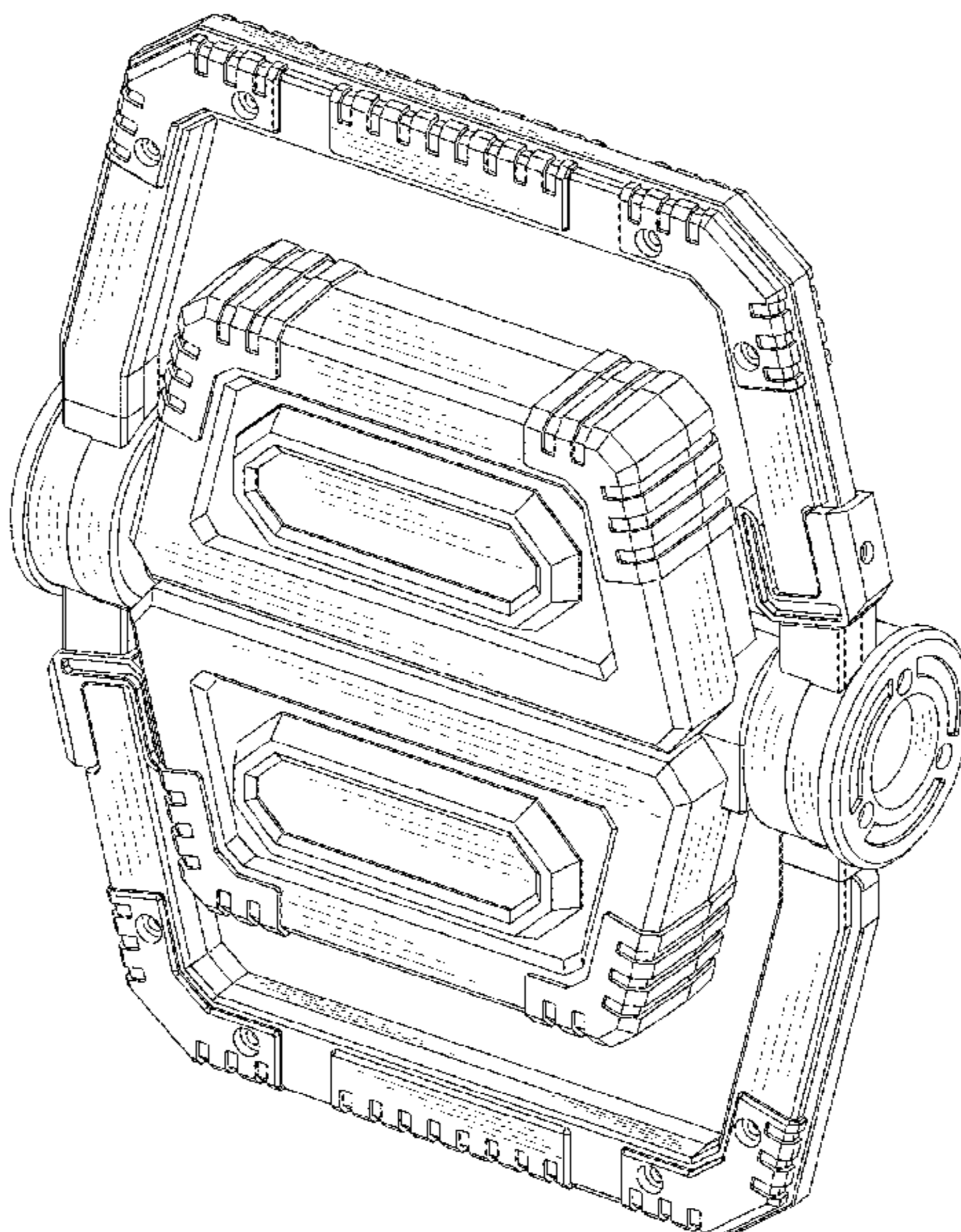
FIG. 1 is a perspective view of a lamp showing my new design;
FIG. 2 is a perspective view thereof in an extended position;
FIG. 3 is a front elevation view thereof;
FIG. 4 is a rear elevation view thereof;
FIG. 5 is a left side elevation view thereof;
FIG. 6 is a right side elevation view thereof;
FIG. 7 is a top plan view thereof; and,
FIG. 8 is a bottom plan view thereof.
The broken lines depict portions of the lamp that form no part of the claimed design.

(56) **References Cited**

U.S. PATENT DOCUMENTS

D553,771 S * 10/2007 Watson D26/37
D558,369 S * 12/2007 O'Hern D26/42
D588,733 S * 3/2009 O'Hern D26/42
D593,236 S * 5/2009 Ng D26/37
D700,382 S * 2/2014 Christ D26/41
D820,489 S * 6/2018 Zhang D26/44
D822,246 S * 7/2018 Hou D26/51
D827,170 S * 8/2018 Zhang D26/44
D828,938 S * 9/2018 Hou D26/38
D831,248 S * 10/2018 Kuhls D26/37
D835,315 S * 12/2018 Zhu D26/44
D835,820 S * 12/2018 Zhu D26/44
D840,073 S * 2/2019 Bian D26/37

1 Claim, 8 Drawing Sheets



(56)

References Cited

U.S. PATENT DOCUMENTS

D898,254 S * 10/2020 Himelright D26/38
D899,650 S * 10/2020 Harvey D26/50
D899,657 S * 10/2020 You D26/63

* cited by examiner

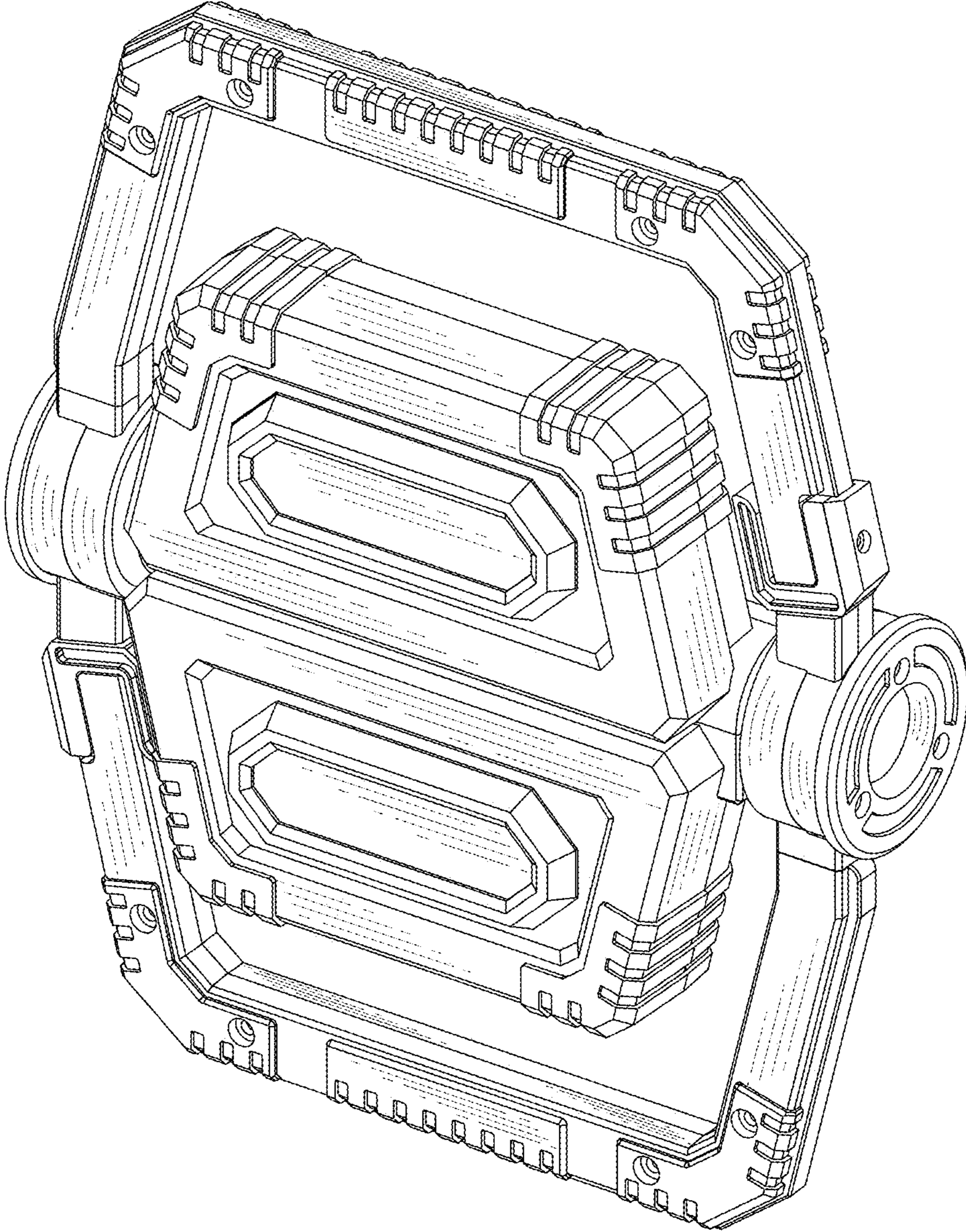


FIG. 1

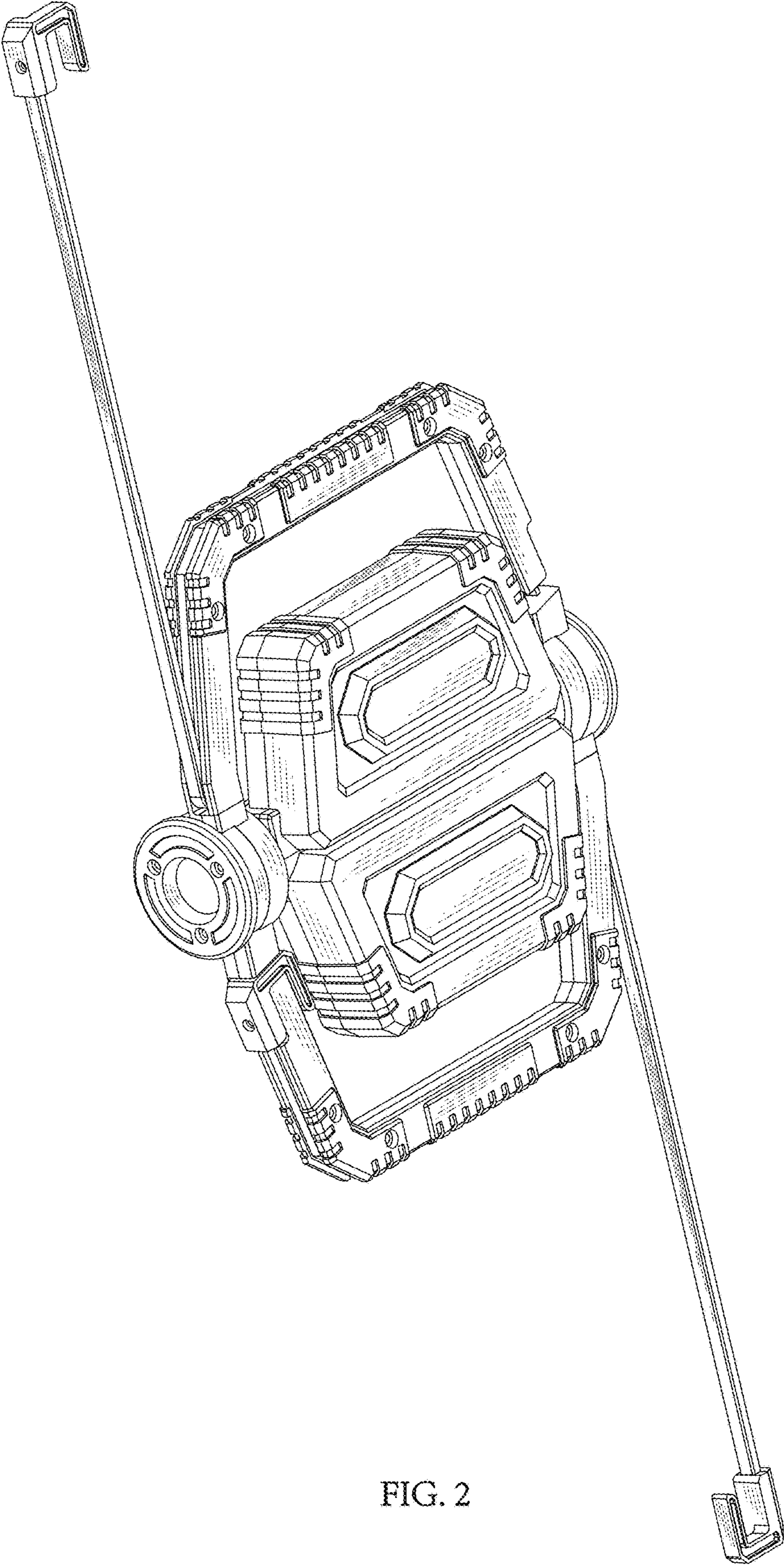


FIG. 2

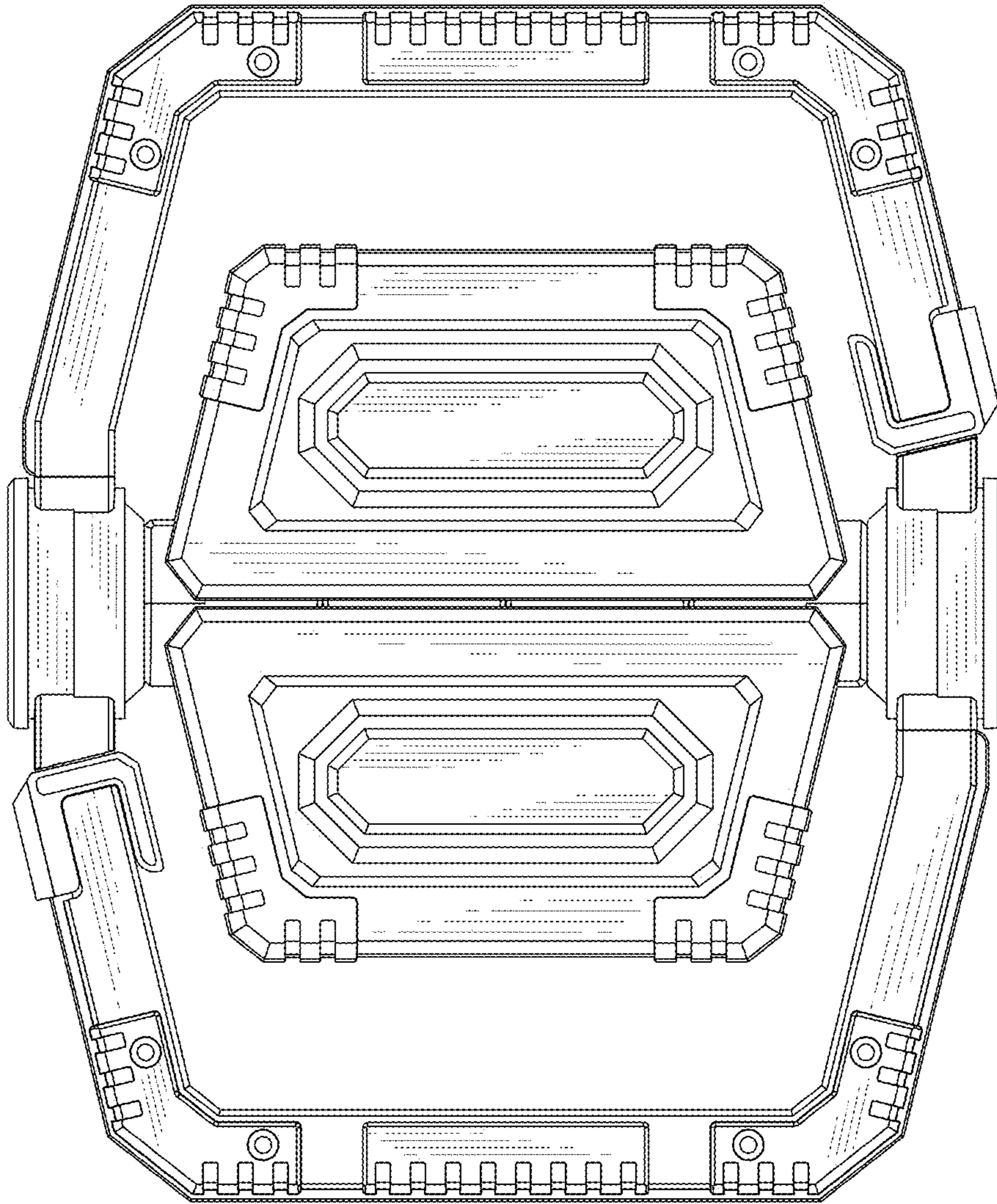


FIG. 3

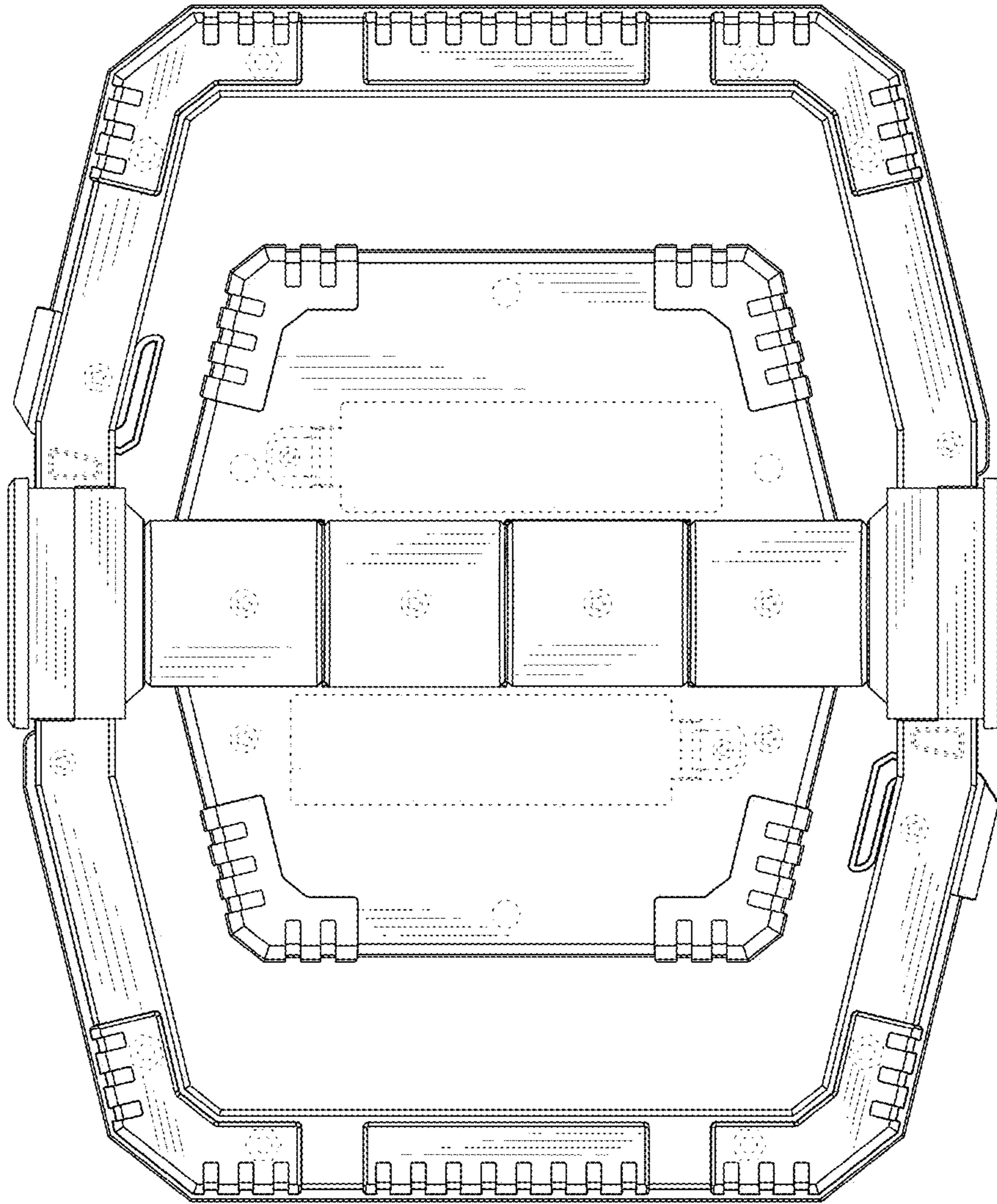


FIG. 4

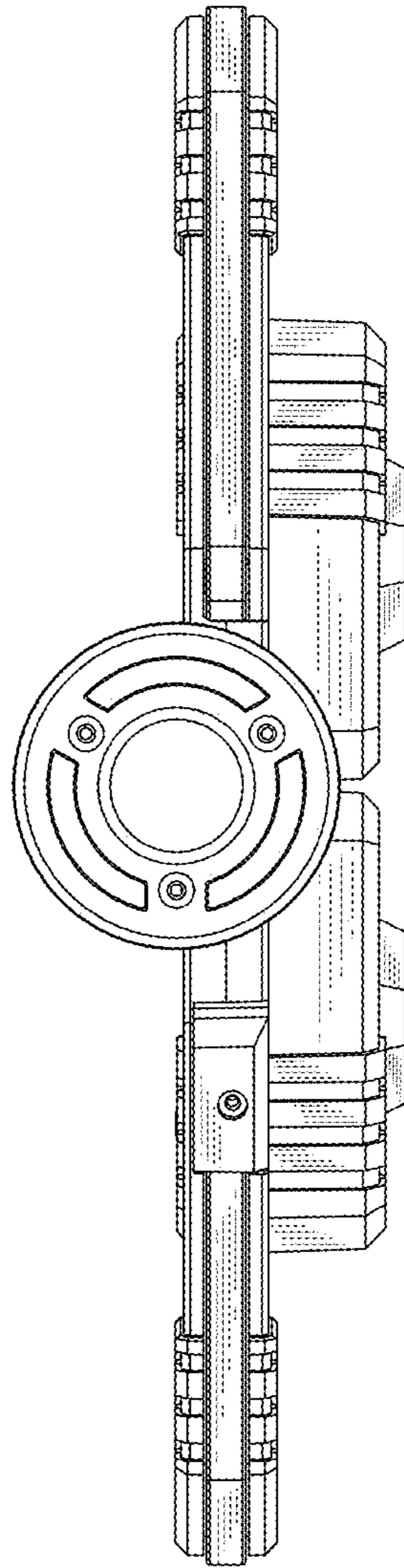


FIG. 5

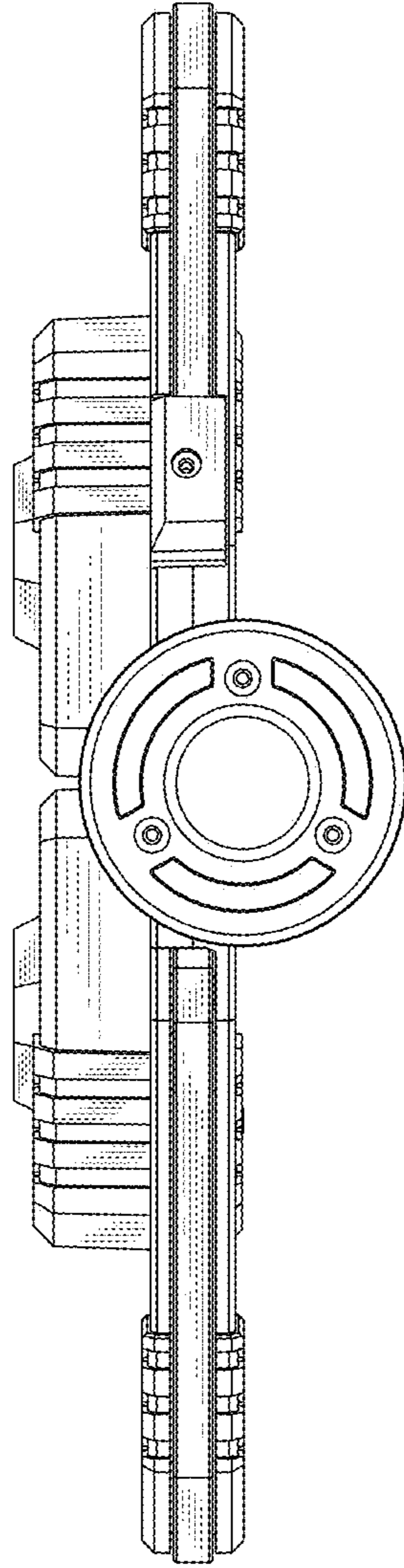


FIG. 6

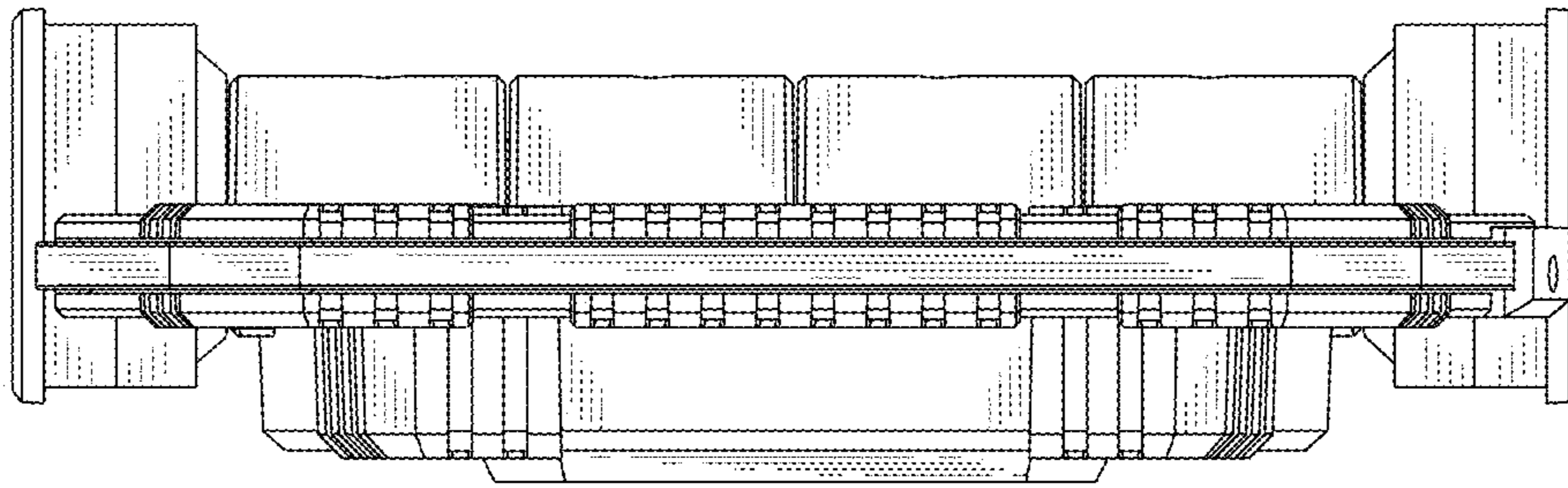


FIG. 7

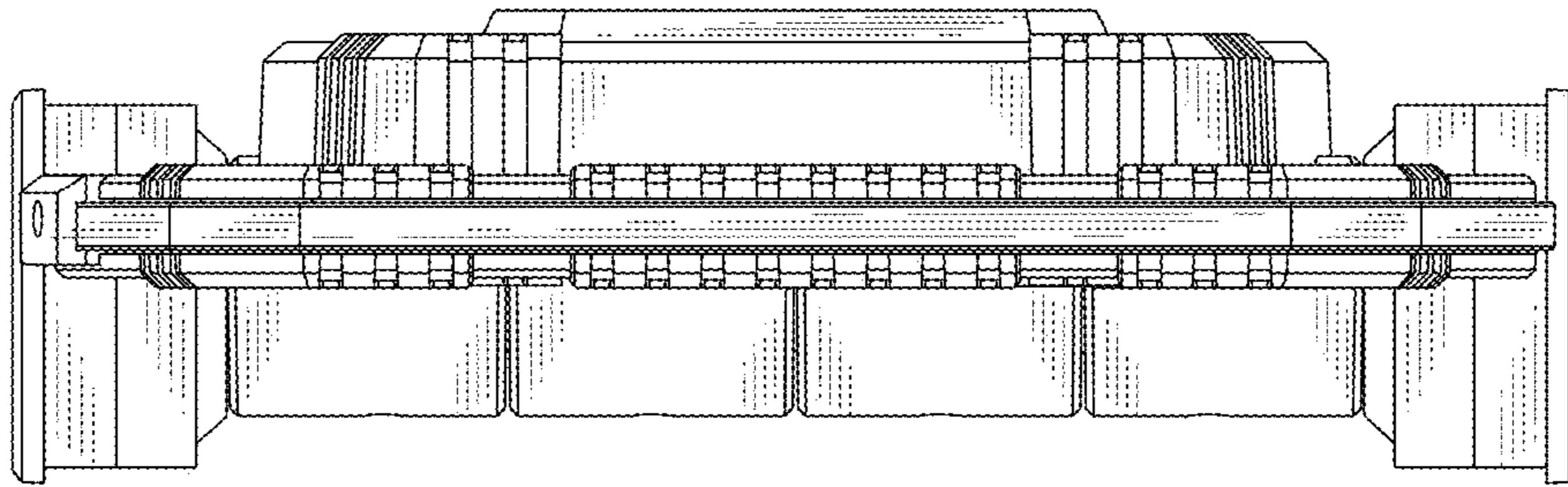


FIG. 8