



US00D935073S

(12) **United States Design Patent**
Qiu

(10) **Patent No.:** **US D935,073 S**

(45) **Date of Patent:** **** Nov. 2, 2021**

(54) **HEADLIGHT**

(71) Applicant: **NINGBO FUTAI ELECTRIC LIMITED**, Zhejiang (CN)

(72) Inventor: **Fujun Qiu**, Ningbo (CN)

(73) Assignee: **NINGBO FUTAI ELECTRIC LIMITED**, Zhejiang (CN)

(**) Term: **15 Years**

(21) Appl. No.: **29/665,115**

(22) Filed: **Sep. 30, 2018**

(30) **Foreign Application Priority Data**

Mar. 29, 2018 (CN) 201830120964.9

(51) **LOC (13) Cl.** **26-02**

(52) **U.S. Cl.**
USPC **D26/39**

(58) **Field of Classification Search**

USPC D26/37-51
CPC F21L 2003/00; F21L 4/005; F21L 4/025;
F21L 4/027; F21L 4/04; F21L 4/08; F21L
13/00; F21L 13/08; F21L 14/02; F21L
19/00; F21L 2/00; F21L 4/00-4/085;
F21L 15/00-15/14; F21L 2001/00; F21L
2005/00; F21L 25/00

See application file for complete search history.

(56) **References Cited**

U.S. PATENT DOCUMENTS

D712,579 S * 9/2014 Cen D26/39
D743,596 S * 11/2015 Ormsbee D26/39
D752,261 S * 3/2016 Ma D26/39
D756,552 S * 5/2016 Kunzendorf D26/39
D758,630 S * 6/2016 Li D26/39

D796,098 S * 8/2017 Grandadam D26/39
D843,037 S * 3/2019 Li D26/39
D843,622 S * 3/2019 Karl, IV D26/39
D861,209 S * 9/2019 Cooper D26/37
D867,641 S * 11/2019 Hubert D26/39
D875,979 S * 2/2020 Levy D26/39
D877,948 S * 3/2020 Thompson D26/37
D882,136 S * 4/2020 Huang D26/39

* cited by examiner

Primary Examiner — Michelle E. Wilson

(74) *Attorney, Agent, or Firm* — Raymond Y. Chan;
David and Raymond Patent Firm

(57) **CLAIM**

The ornamental design for a headlight, as shown and described.

DESCRIPTION

FIG. 1 is a front view of the headlight, showing my new design;

FIG. 2 is a rear view thereof;

FIG. 3 is a left view thereof;

FIG. 4 is a right view thereof;

FIG. 5 is a top view thereof;

FIG. 6 is a bottom view thereof;

FIG. 7 is a front perspective view thereof;

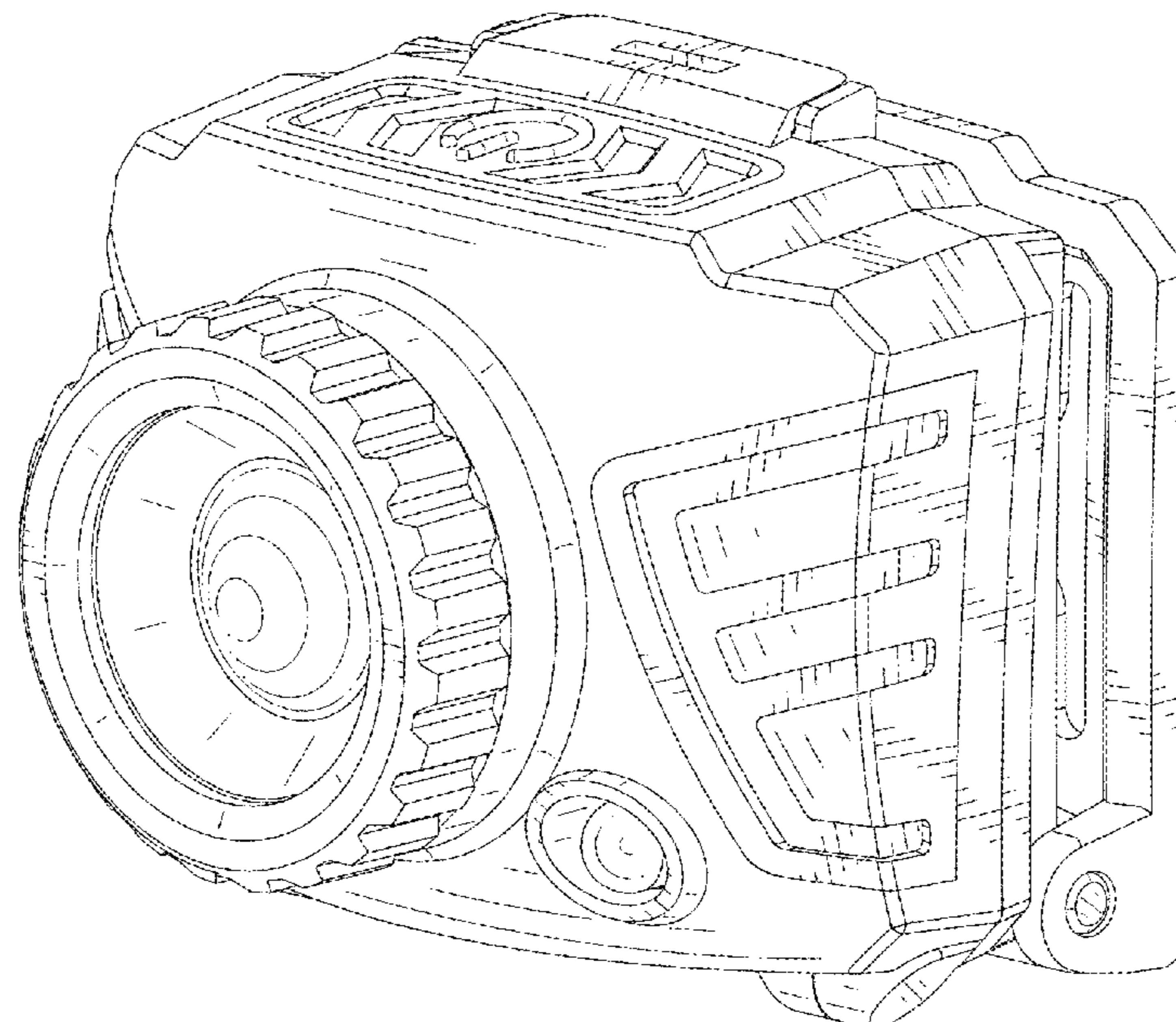
FIG. 8 is a rear perspective view thereof;

FIG. 9 is a rear perspective view thereof, illustrating a back panel being pivotally folded from a main body of the headlight;

FIG. 10 is a front perspective view thereof, illustrating the back panel being detached from the main body of the headlight; and,

FIG. 11 is a rear perspective view thereof, illustrating the back panel being detached from the main body of the headlight.

1 Claim, 11 Drawing Sheets



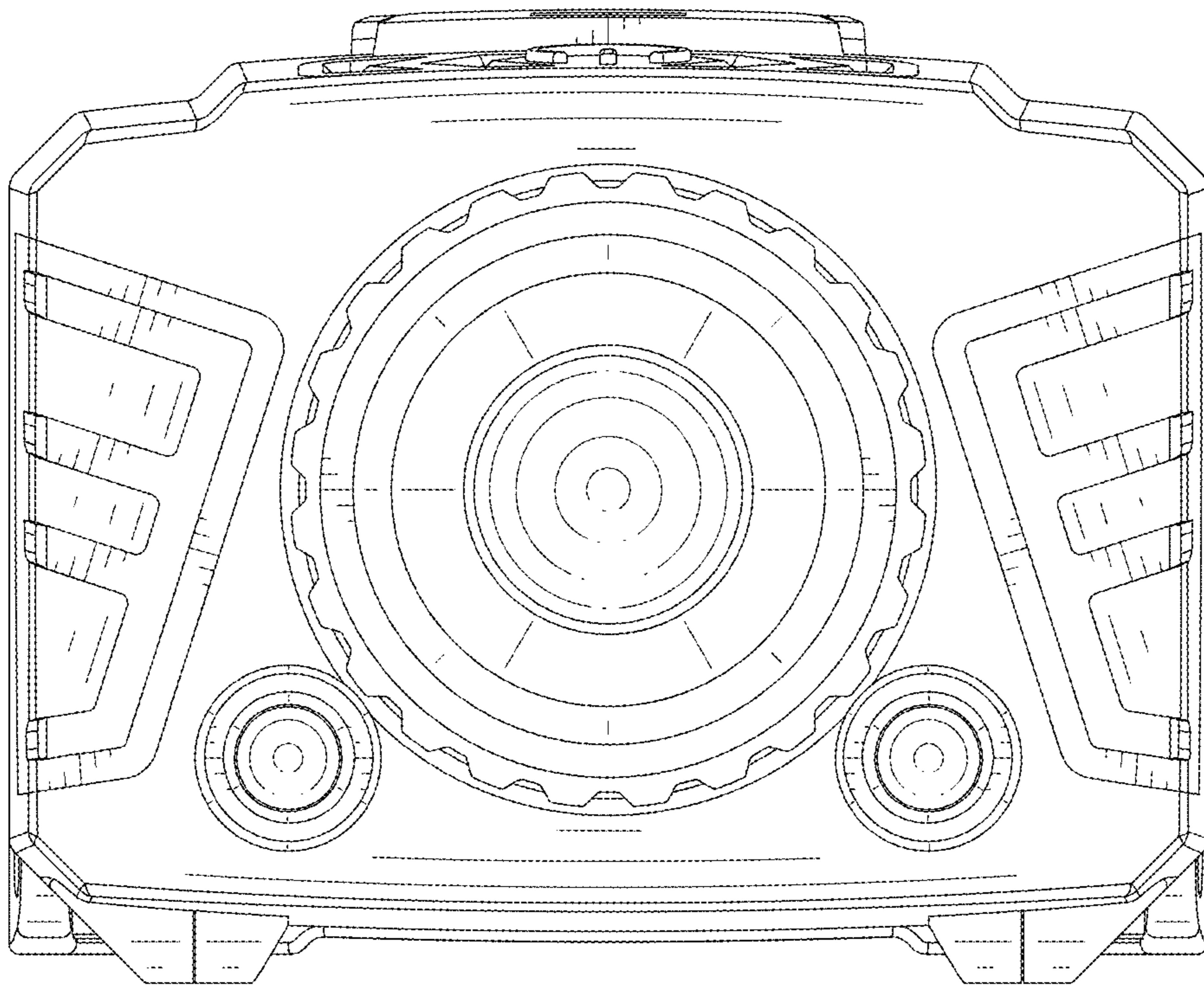


FIG.1

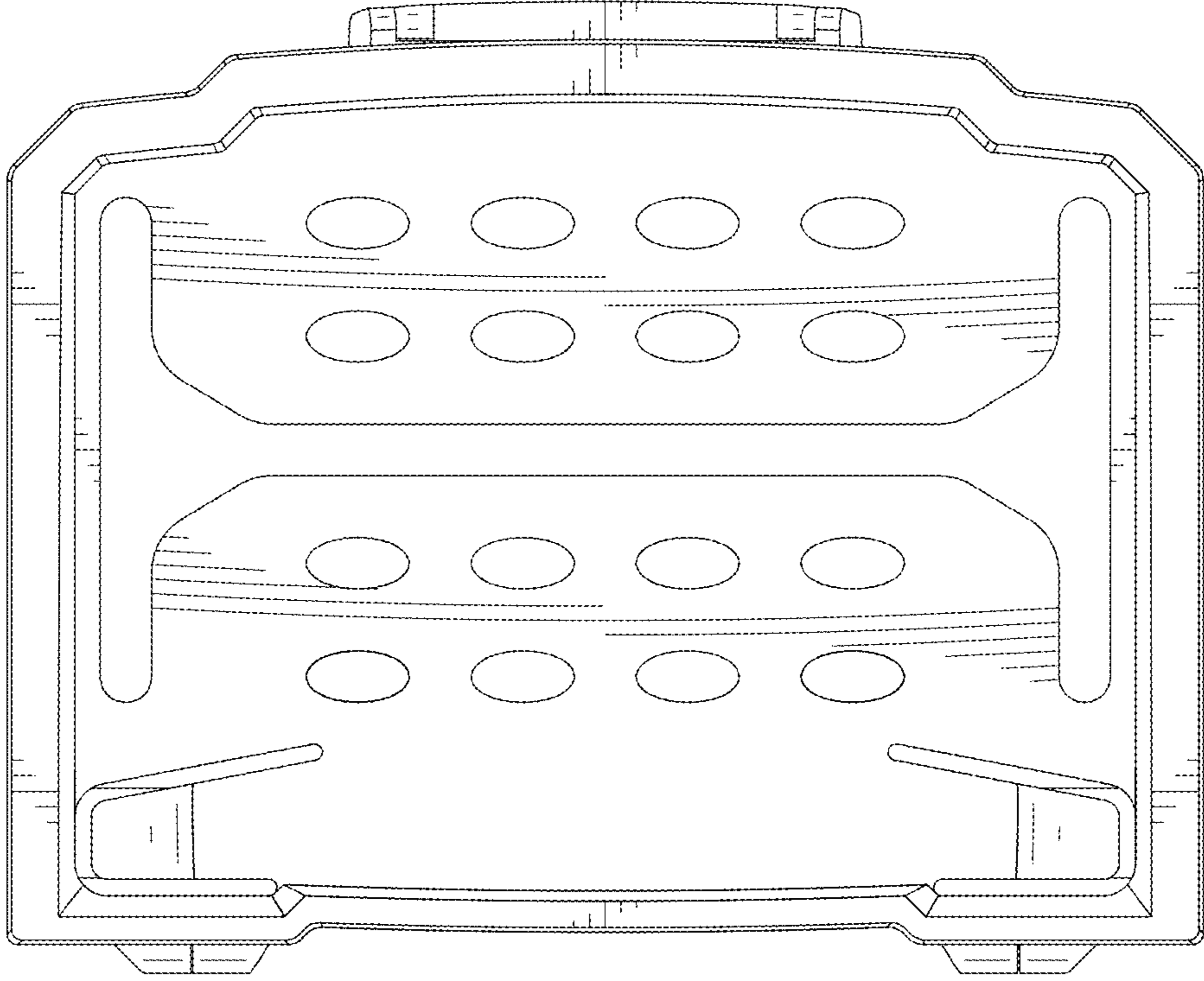


FIG.2

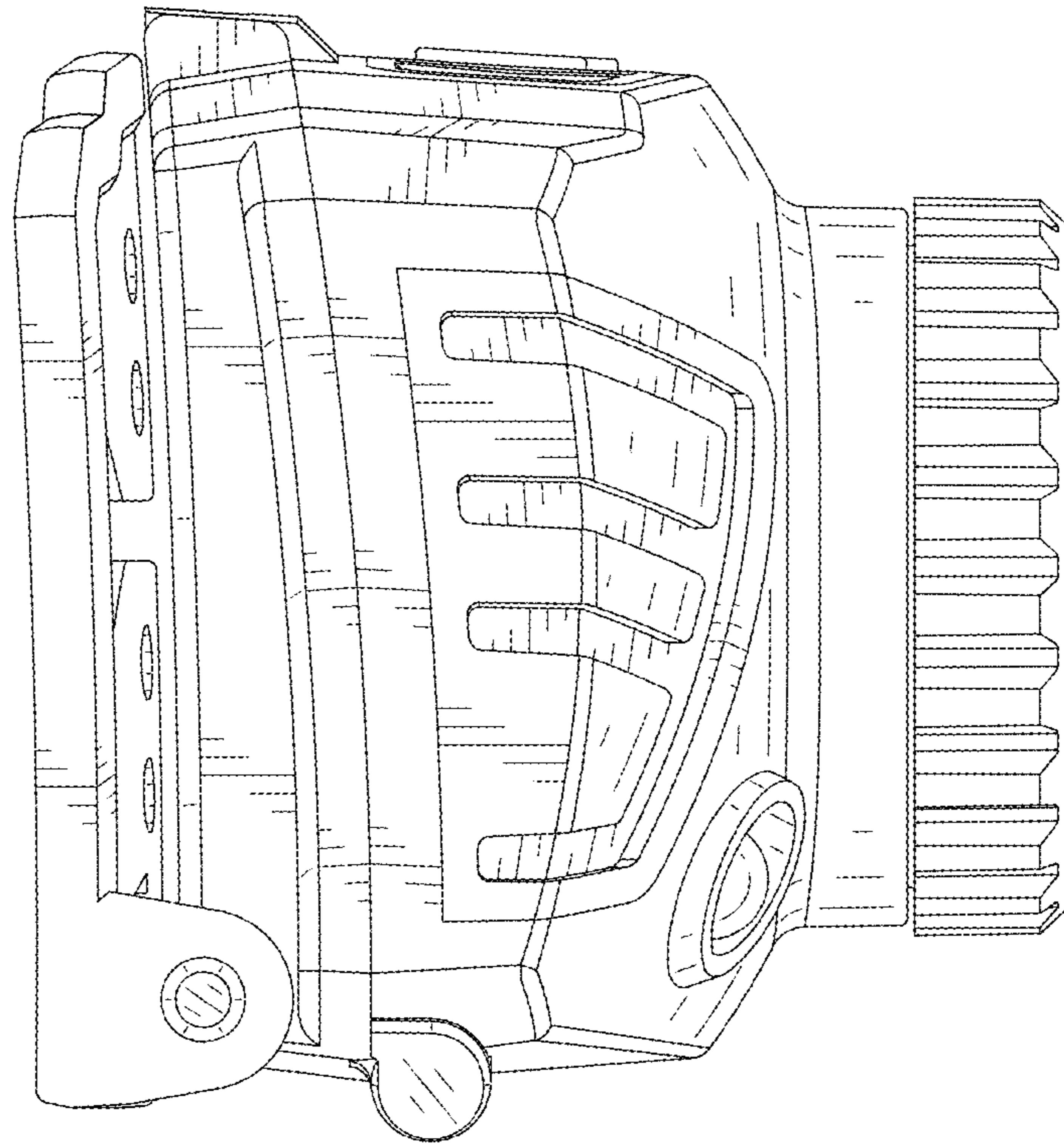


FIG.3

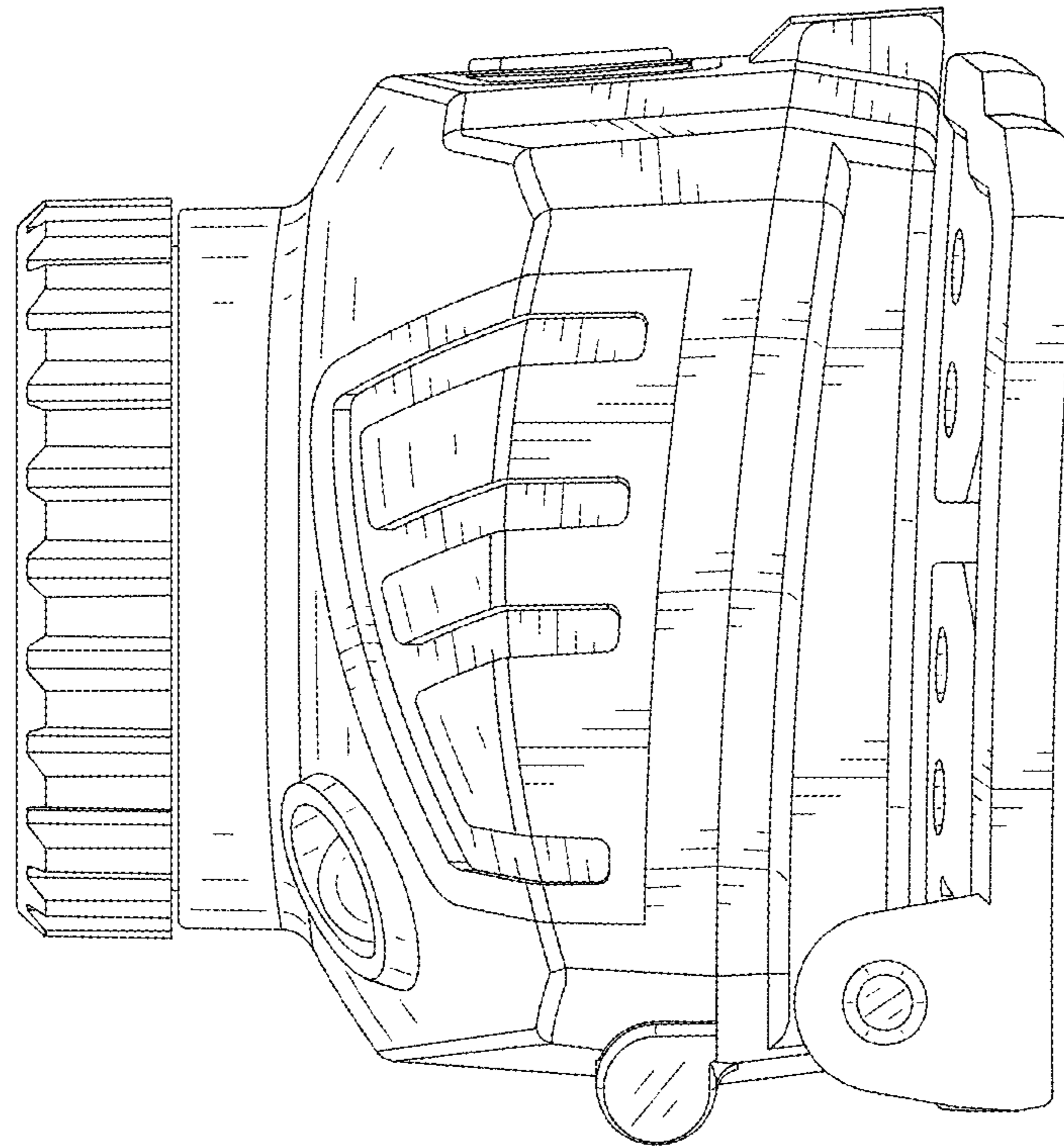


FIG.4

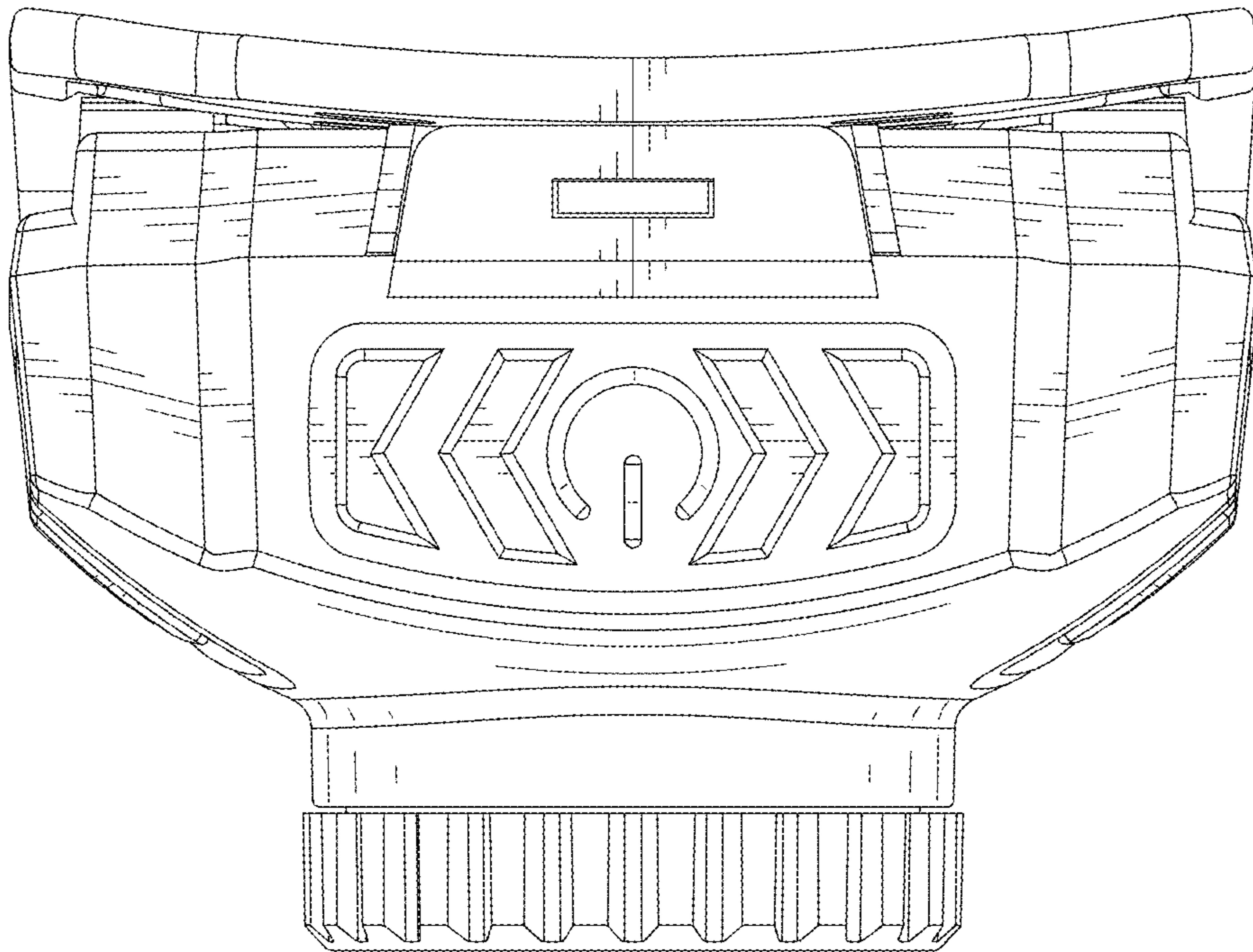


FIG.5

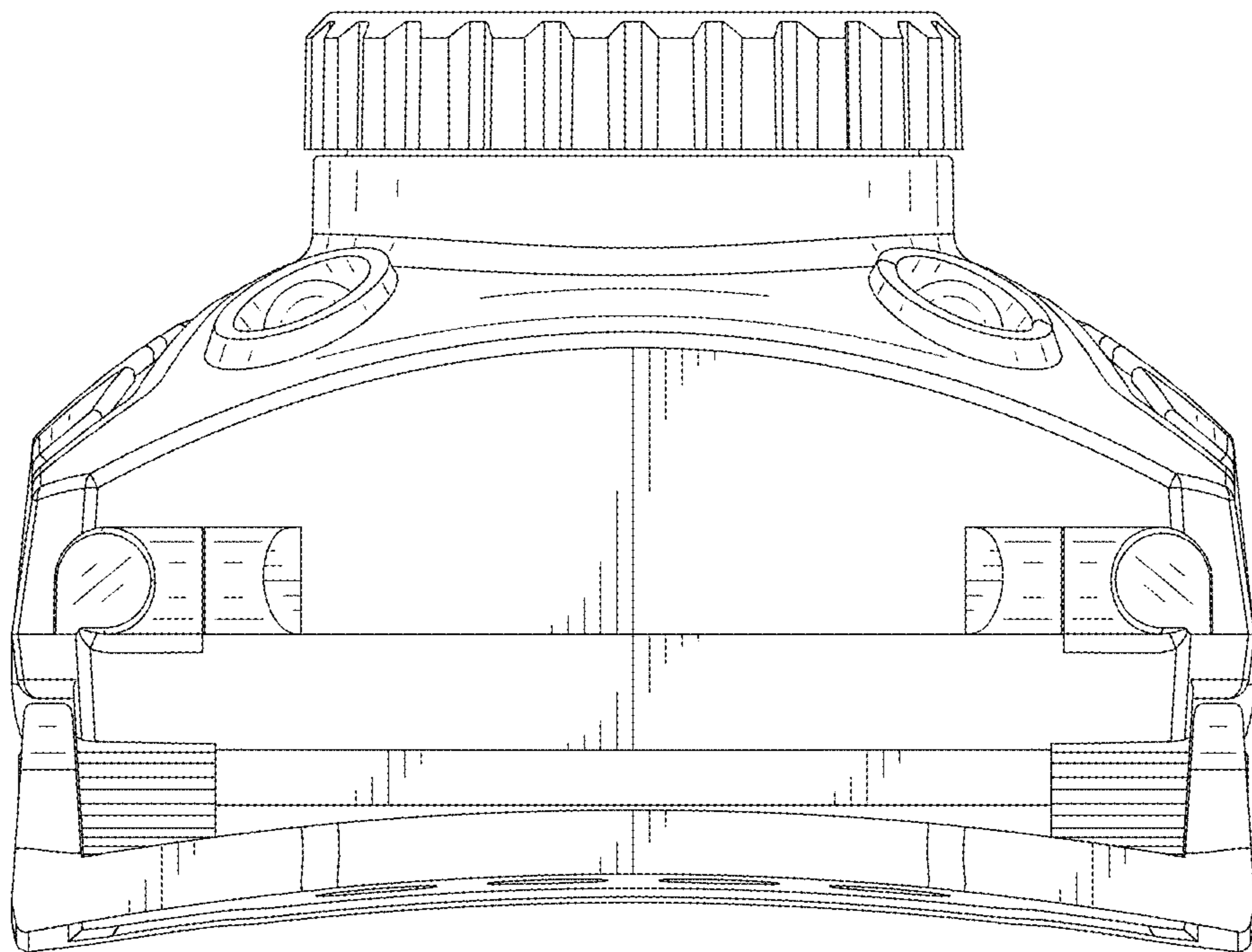


FIG.6

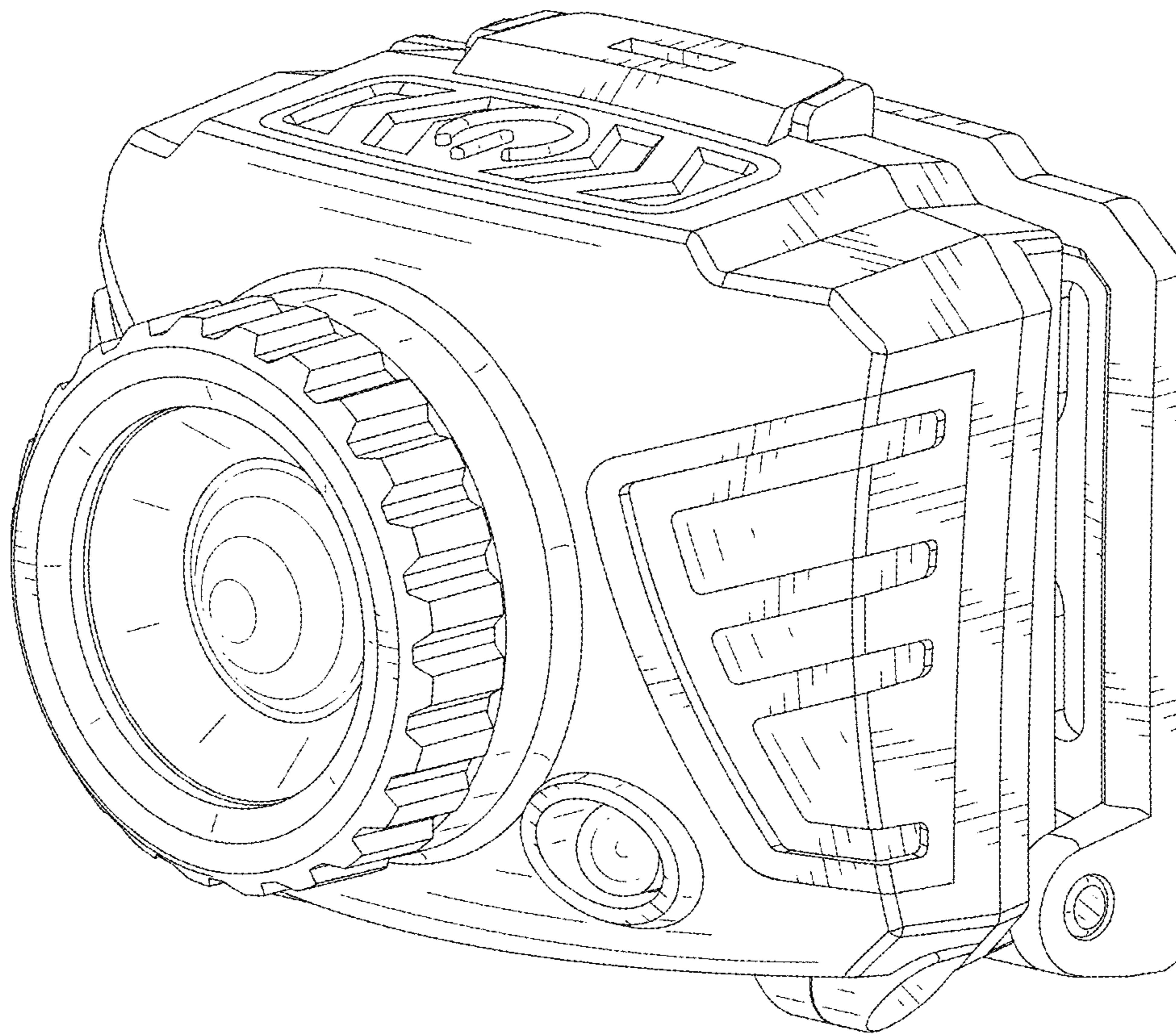


FIG.7

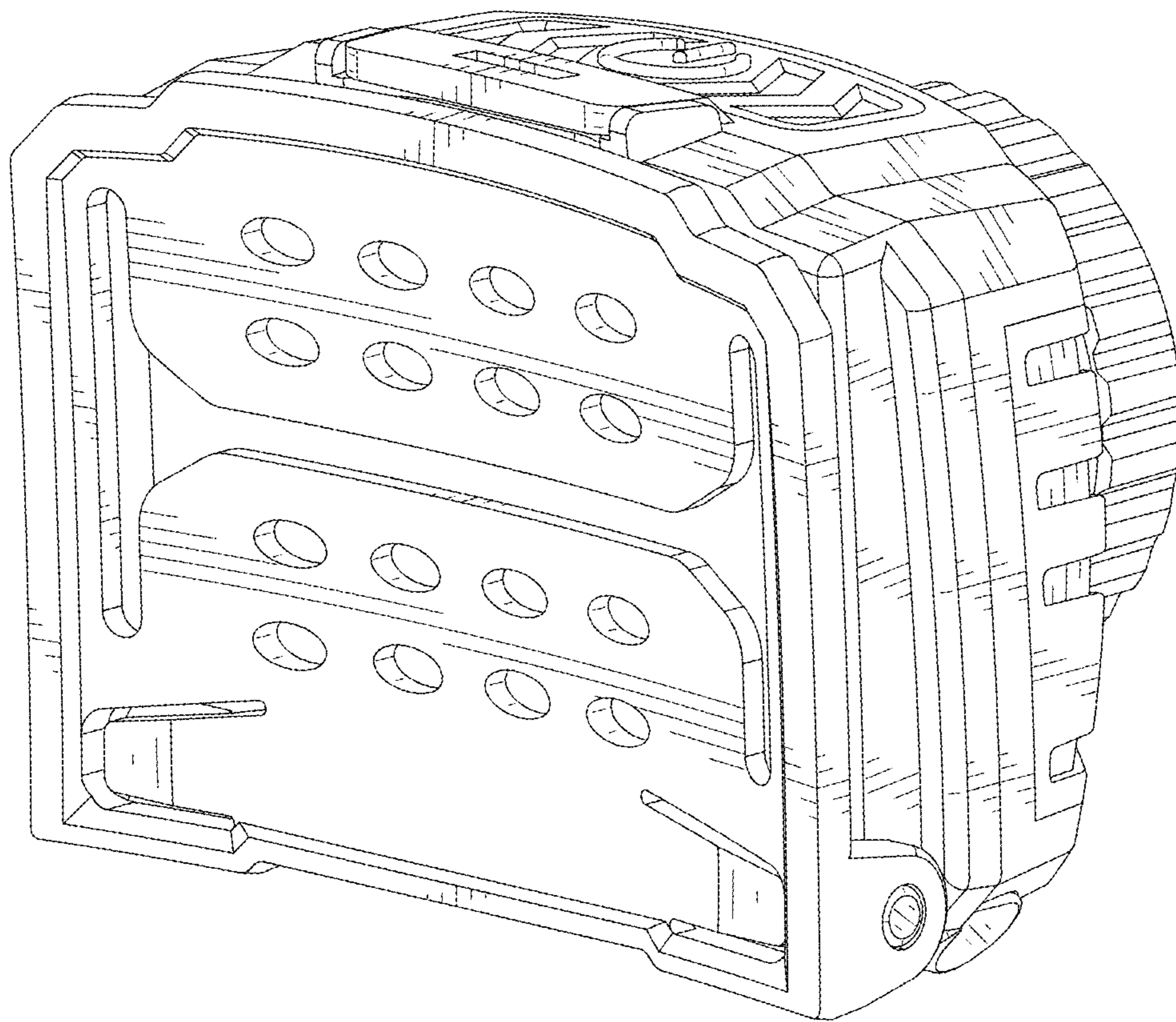


FIG.8

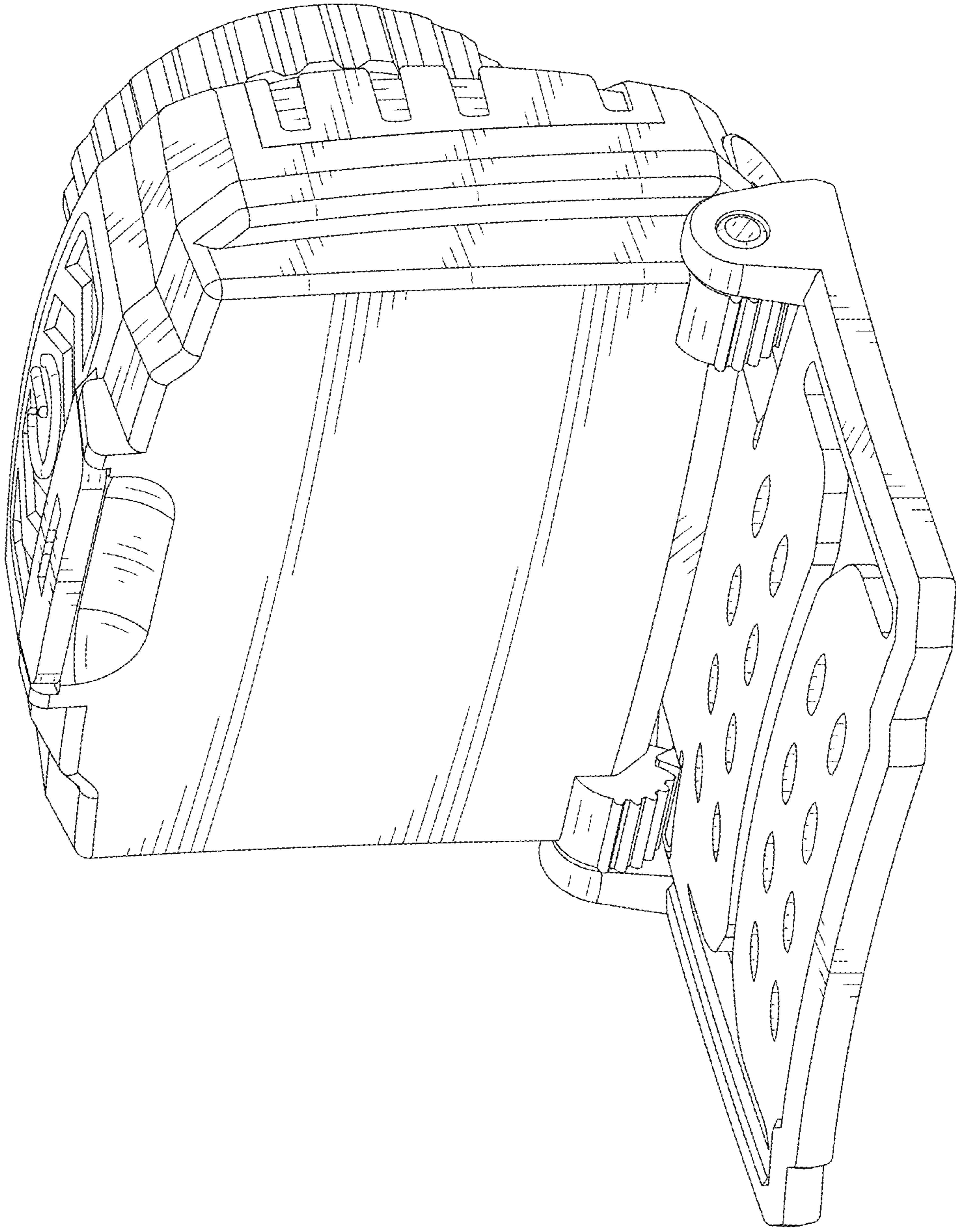


FIG.9

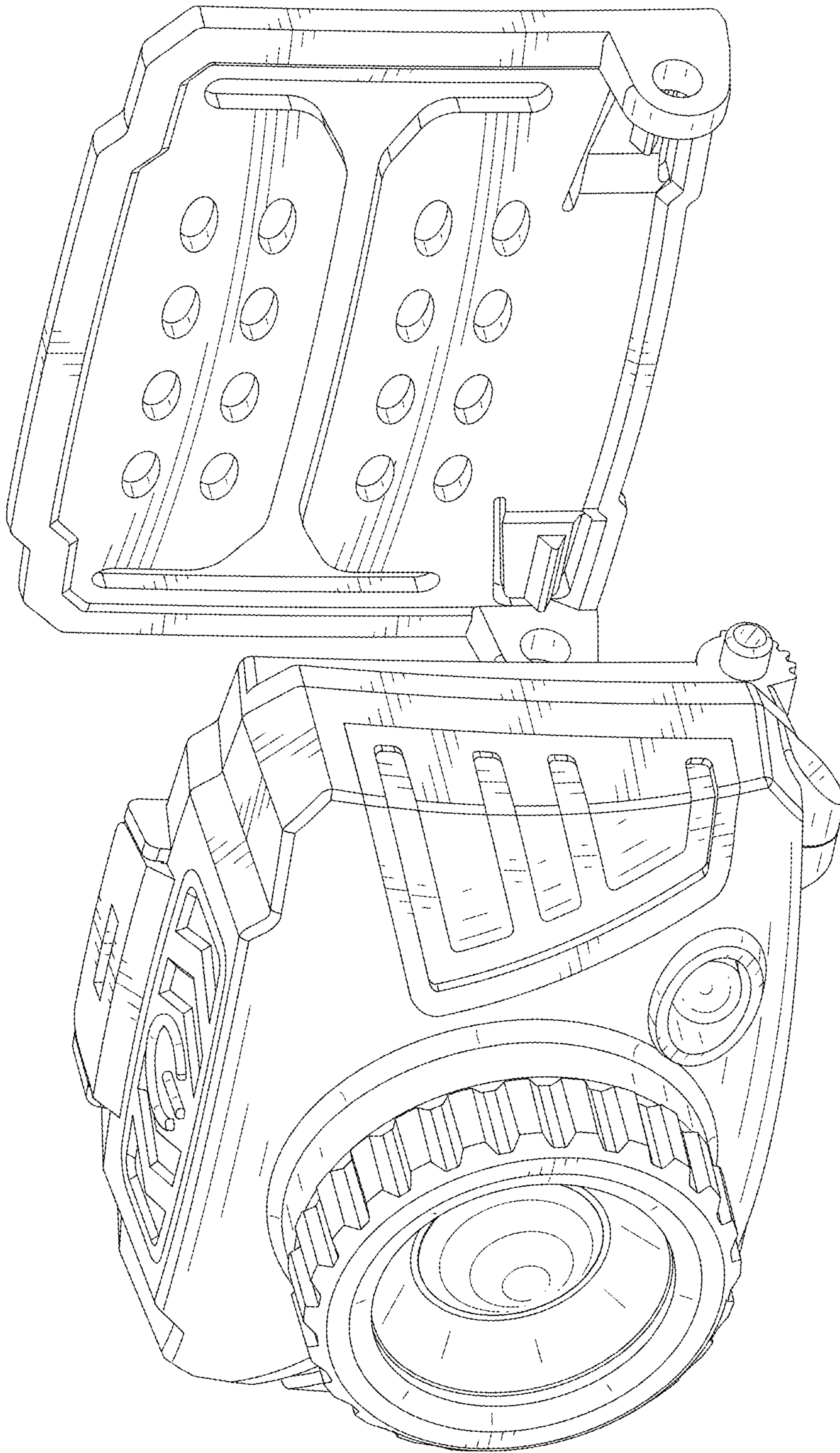


FIG.10

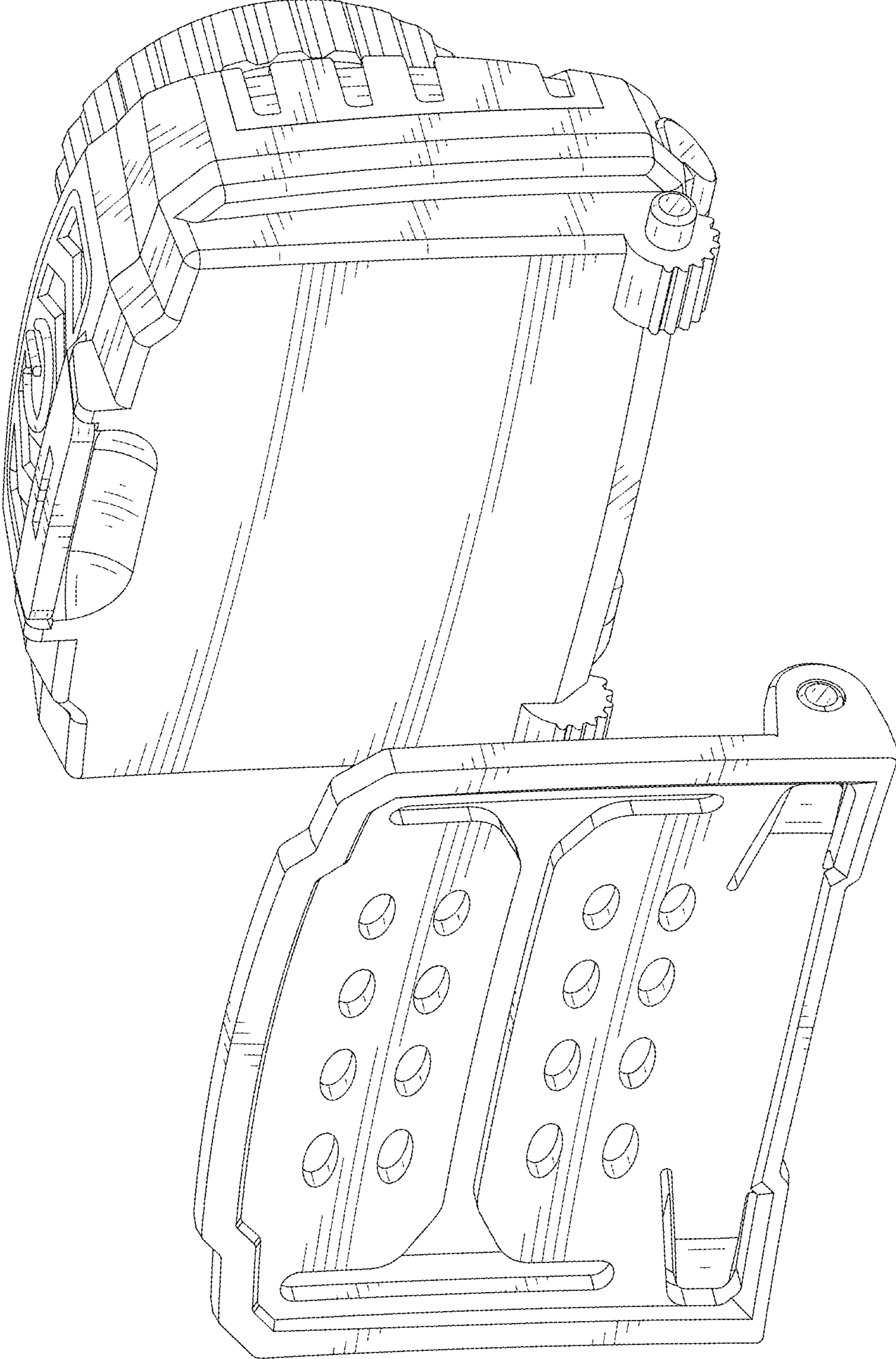


FIG.11