



US00D935069S

(12) **United States Design Patent**  
**Kesler**

(10) **Patent No.:** **US D935,069 S**

(45) **Date of Patent:** **\*\* Nov. 2, 2021**

(54) **FLASHLIGHT**

(71) Applicant: **Herbert Kesler**, Dadeville, AL (US)

(72) Inventor: **Herbert Kesler**, Dadeville, AL (US)

(\*\*) Term: **15 Years**

(21) Appl. No.: **29/620,047**

(22) Filed: **Jun. 24, 2016**

(51) **LOC (13) Cl.** ..... **26-02**

(52) **U.S. Cl.**  
USPC ..... **D26/37; D26/49**

(58) **Field of Classification Search**

USPC ..... D26/37, 46, 38, 49, 51; D22/108, 117,  
D22/109; D16/132, 133–136  
CPC ..... F21L 2003/00; F21L 4/00; F21L 4/005;  
F21L 4/02; F21L 4/025; F21L 4/027;  
F21L 4/04; F21L 4/08; F21L 2005/00;  
F21L 7/00; F21L 11/00; F21L 13/00;  
F21L 13/04; F21L 13/08; F21L 14/02;  
F21L 17/00; F21L 19/00; F21L 25/00;  
G02B 23/00; G02B 23/18

See application file for complete search history.

(56) **References Cited**

**U.S. PATENT DOCUMENTS**

D332,107 S \* 12/1992 Hengst ..... D16/133  
D359,972 S \* 7/1995 Takahashi ..... D16/133  
D383,754 S \* 9/1997 Yuen ..... D14/168  
D520,042 S \* 5/2006 Kimura ..... D16/133  
D570,018 S \* 5/2008 Ciccone, Jr. .... D26/37  
D580,961 S \* 11/2008 Ciccone, Jr. .... D16/133  
D586,874 S \* 2/2009 Moody ..... D22/109  
D601,287 S \* 9/2009 Caniparoli ..... D26/49  
D611,115 S \* 3/2010 Pennington ..... D22/117  
D679,304 S \* 4/2013 Delaney ..... D16/133  
D698,961 S \* 2/2014 Dalton ..... D26/49  
D706,897 S \* 6/2014 Sheikh ..... D22/117  
D719,694 S \* 12/2014 Nawaz ..... D22/117  
D724,247 S \* 3/2015 Chouprinov ..... D22/117

D739,060 S \* 9/2015 Chouprinov ..... D26/38  
D745,987 S \* 12/2015 Nawaz ..... D22/117  
D747,020 S \* 1/2016 Chouprinov ..... D26/38  
D767,805 S \* 9/2016 Son ..... D26/49  
D769,494 S \* 10/2016 Bertken ..... D26/49  
D785,842 S \* 5/2017 Huang ..... D26/49  
D786,466 S \* 5/2017 Prieto ..... D26/49  
D803,445 S \* 11/2017 Inskeep ..... D26/49

(Continued)

**FOREIGN PATENT DOCUMENTS**

CN 301883068 \* 4/2012

**OTHER PUBLICATIONS**

DBBTZ\_user-manual [http://glohound.com/files/DBBTZ\\_user-manual.pdf](http://glohound.com/files/DBBTZ_user-manual.pdf) Dec. 13, 2016 (Year: 2016).\*

(Continued)

*Primary Examiner* — Leanne Was-Englehart

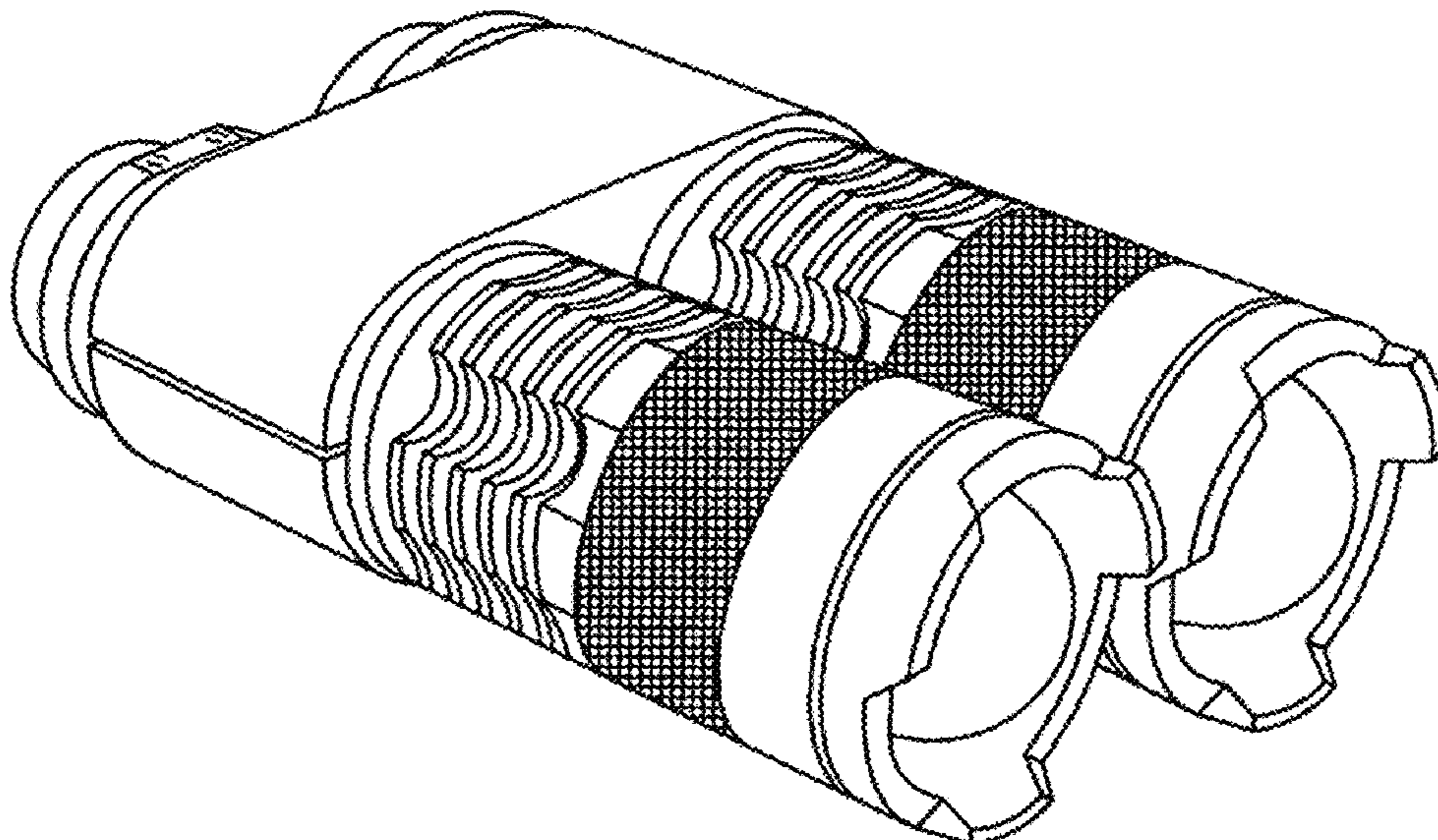
(57) **CLAIM**

The ornamental design for a flashlight, as shown and described.

**DESCRIPTION**

FIG. 1 is an enlarged front perspective view of the flashlight showing my new design;  
FIG. 2 is a top plan view thereof;  
FIG. 3 is a bottom plan view thereof;  
FIG. 4 is a right side view thereof; the left side view being a mirror image thereof;  
FIG. 5 is a front end view thereof;  
FIG. 6 is a left side view thereof;  
FIG. 7 is a rear end view thereof; and,  
FIG. 8 is an enlarged front perspective view of the flashlight showing the twin barrels extended.  
The broken lines show portions of the flashlight not claimed and form no part of the claimed design.

**1 Claim, 3 Drawing Sheets**



(56)

**References Cited**

U.S. PATENT DOCUMENTS

D869,535 S \* 12/2019 Schmitt ..... D16/133  
D870,941 S \* 12/2019 Vasquez ..... D26/37  
D874,043 S \* 1/2020 Lee ..... D26/37  
D896,292 S \* 9/2020 Ushio ..... D16/133  
2012/0200918 A1\* 8/2012 Rivkin ..... G02B 27/0176  
359/481

OTHER PUBLICATIONS

Double Barrel Blood Tracker Light YouTube <https://www.youtube.com/watch?v=VNXE28Tw0ws> Sep. 28, 2016 (Year: 2016).\*

\* cited by examiner

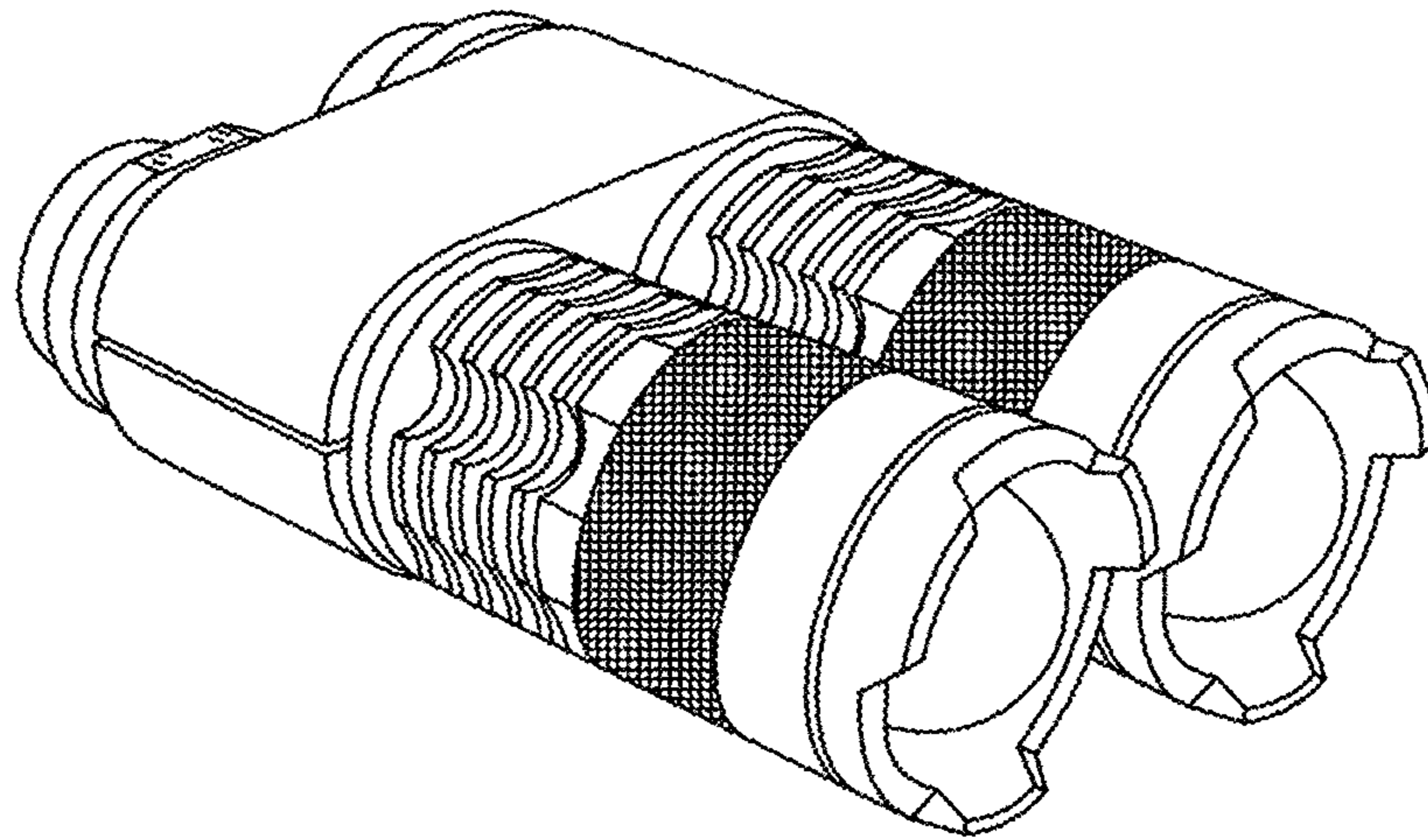


FIG. 1

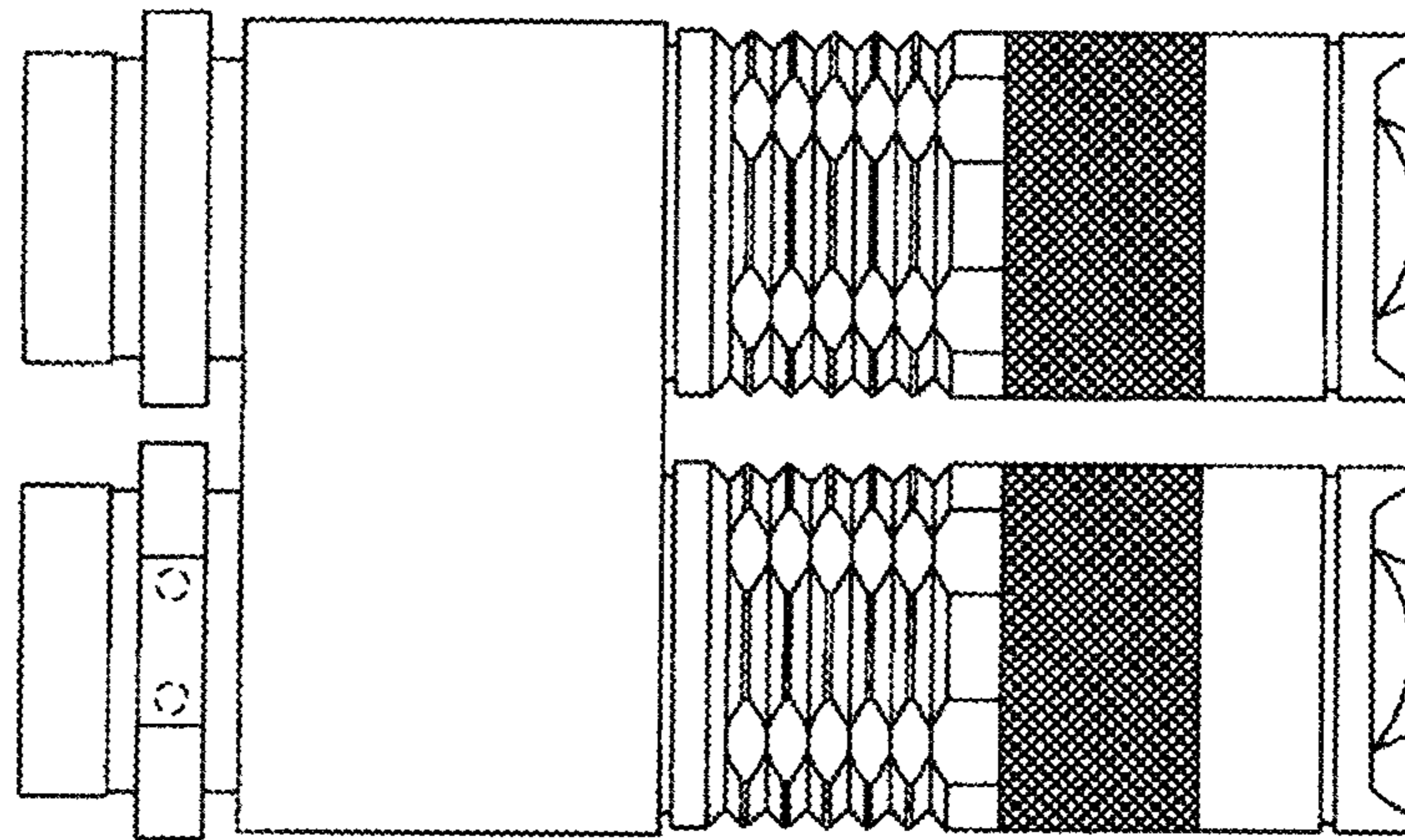


FIG. 2



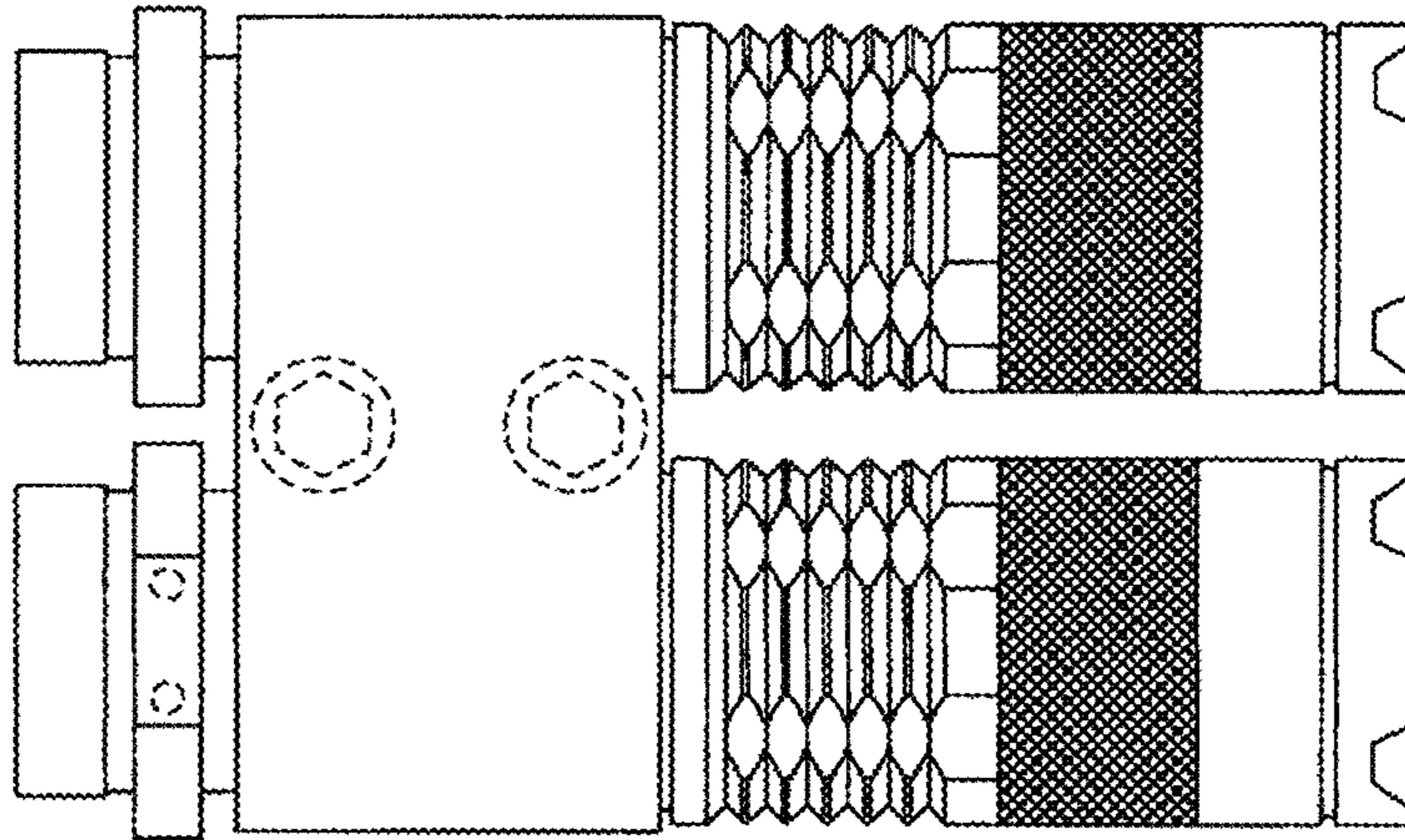


FIG. 3

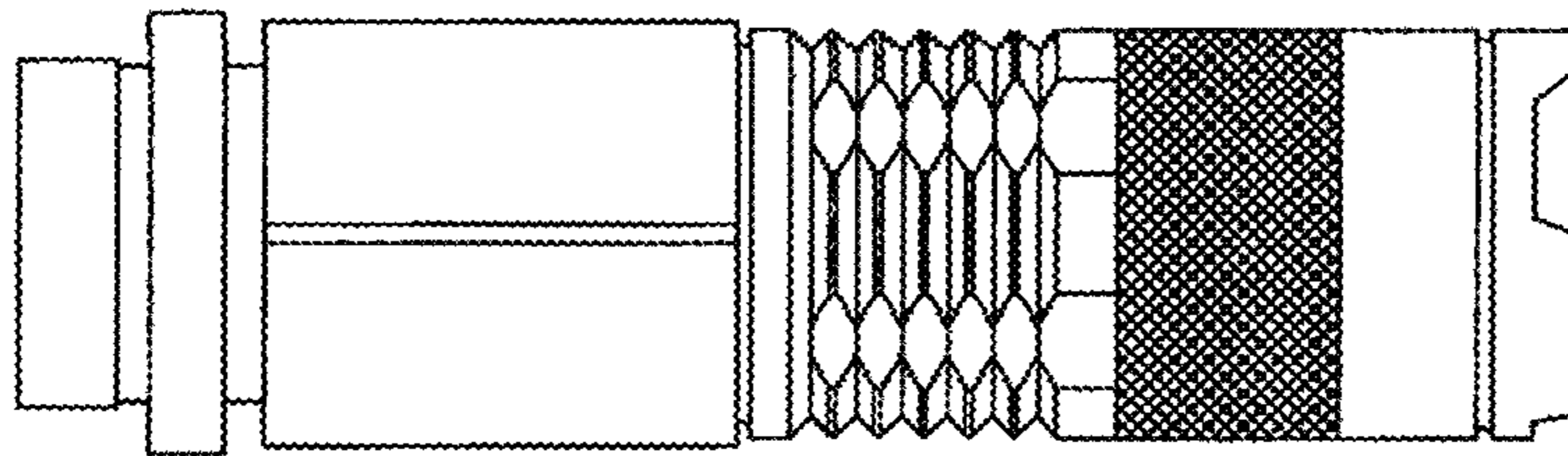


FIG. 4

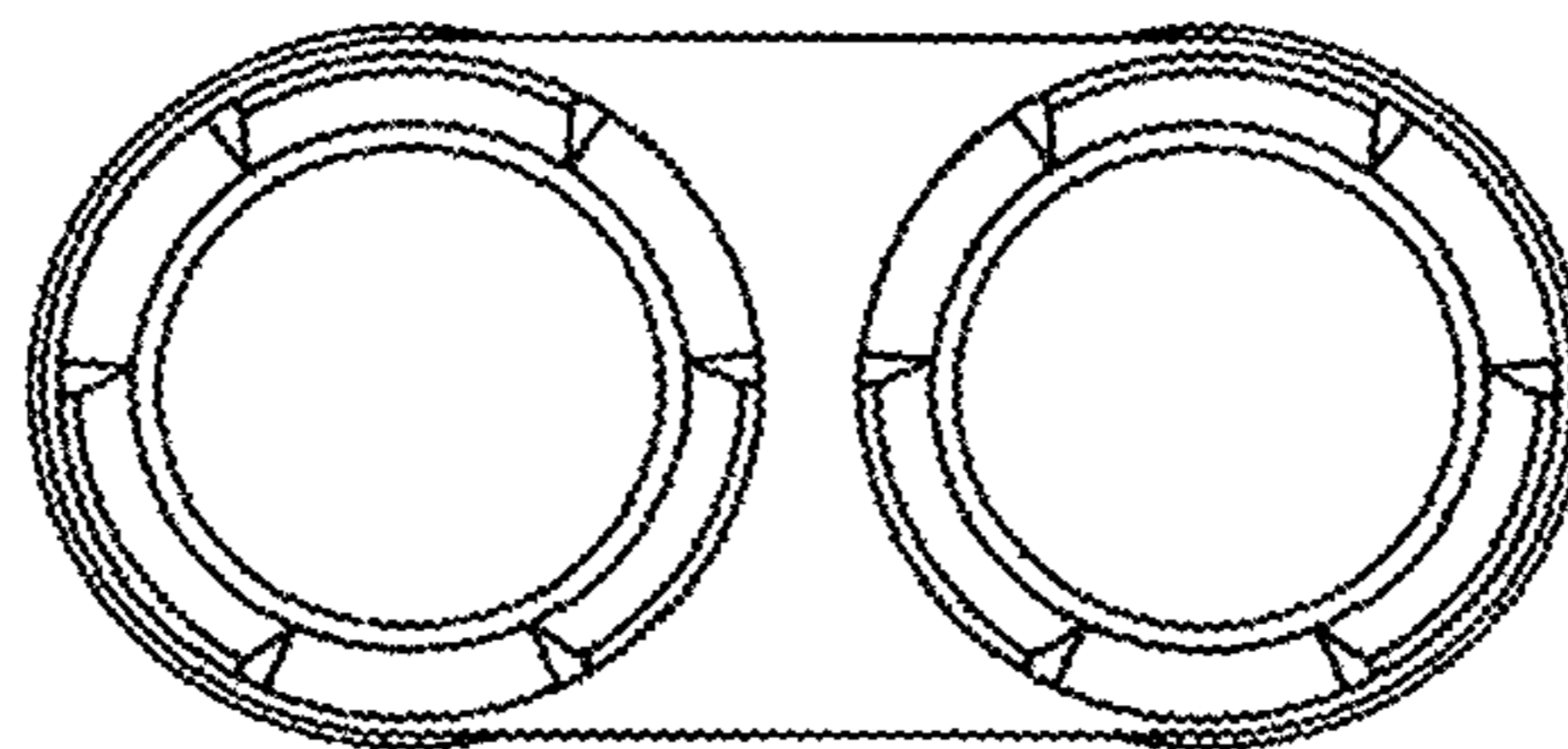


FIG. 5

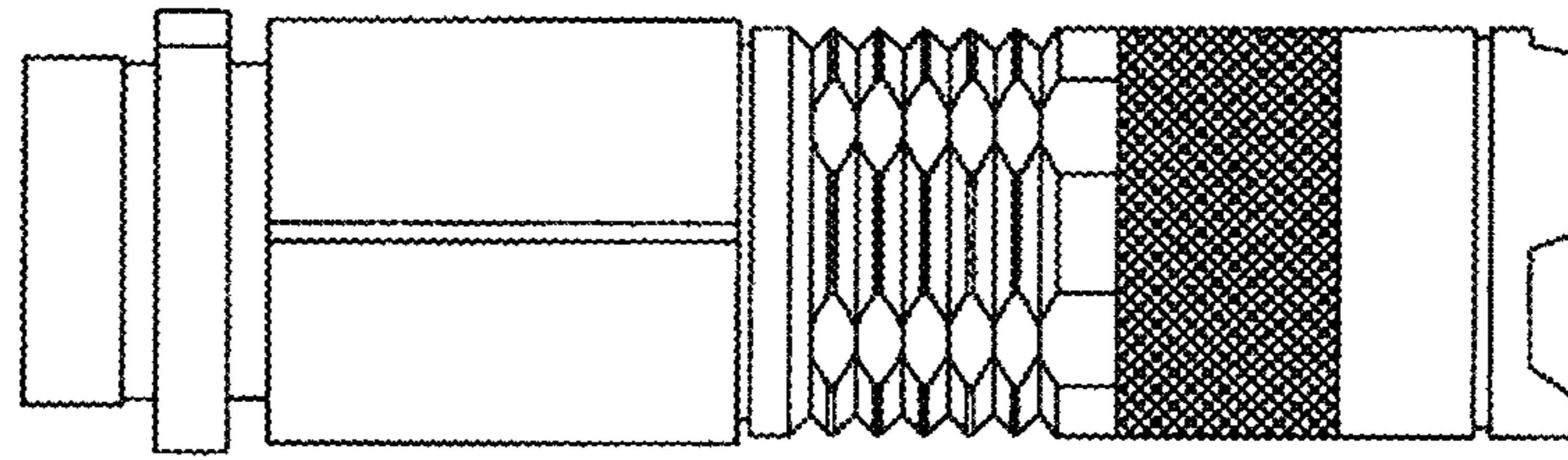


FIG. 6

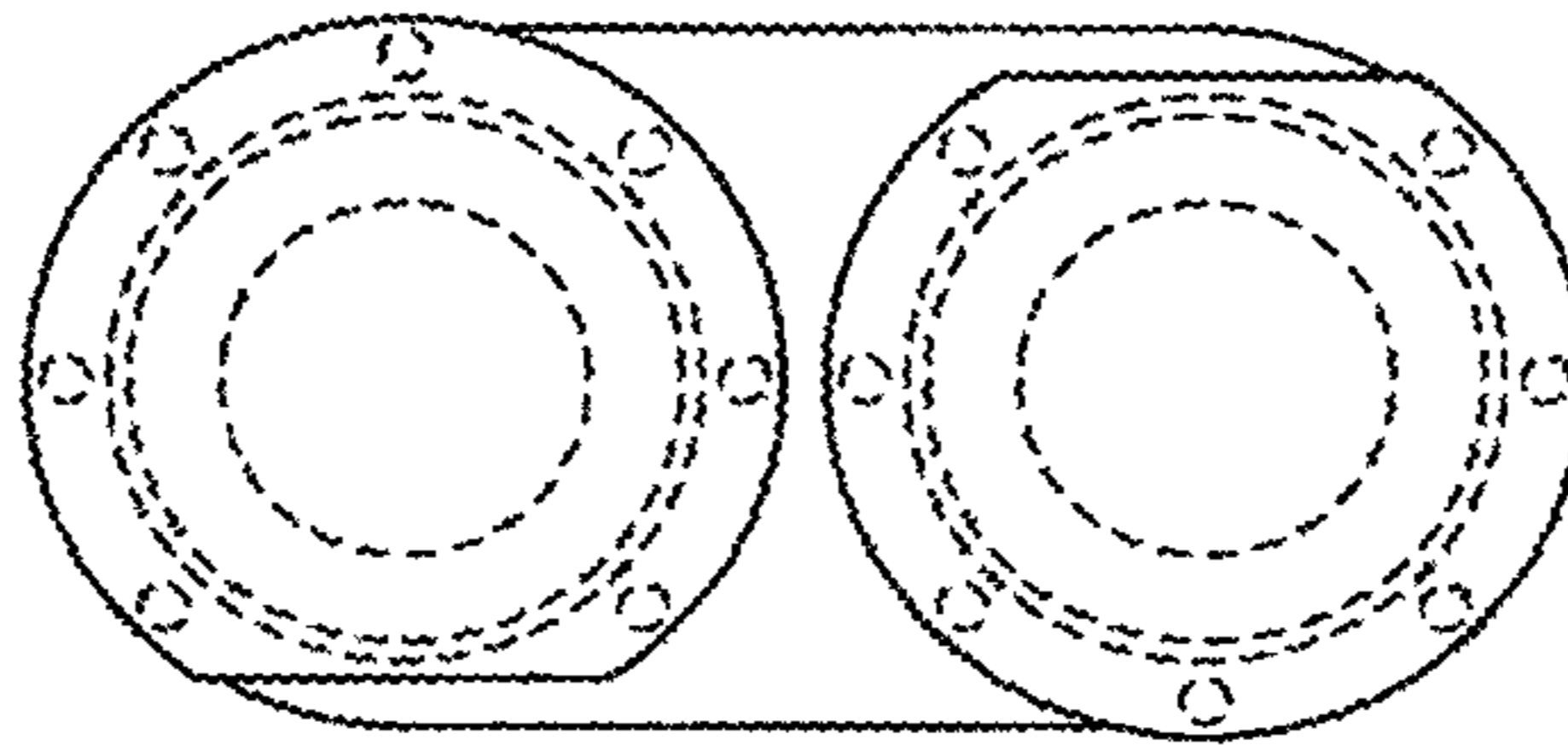


FIG. 7

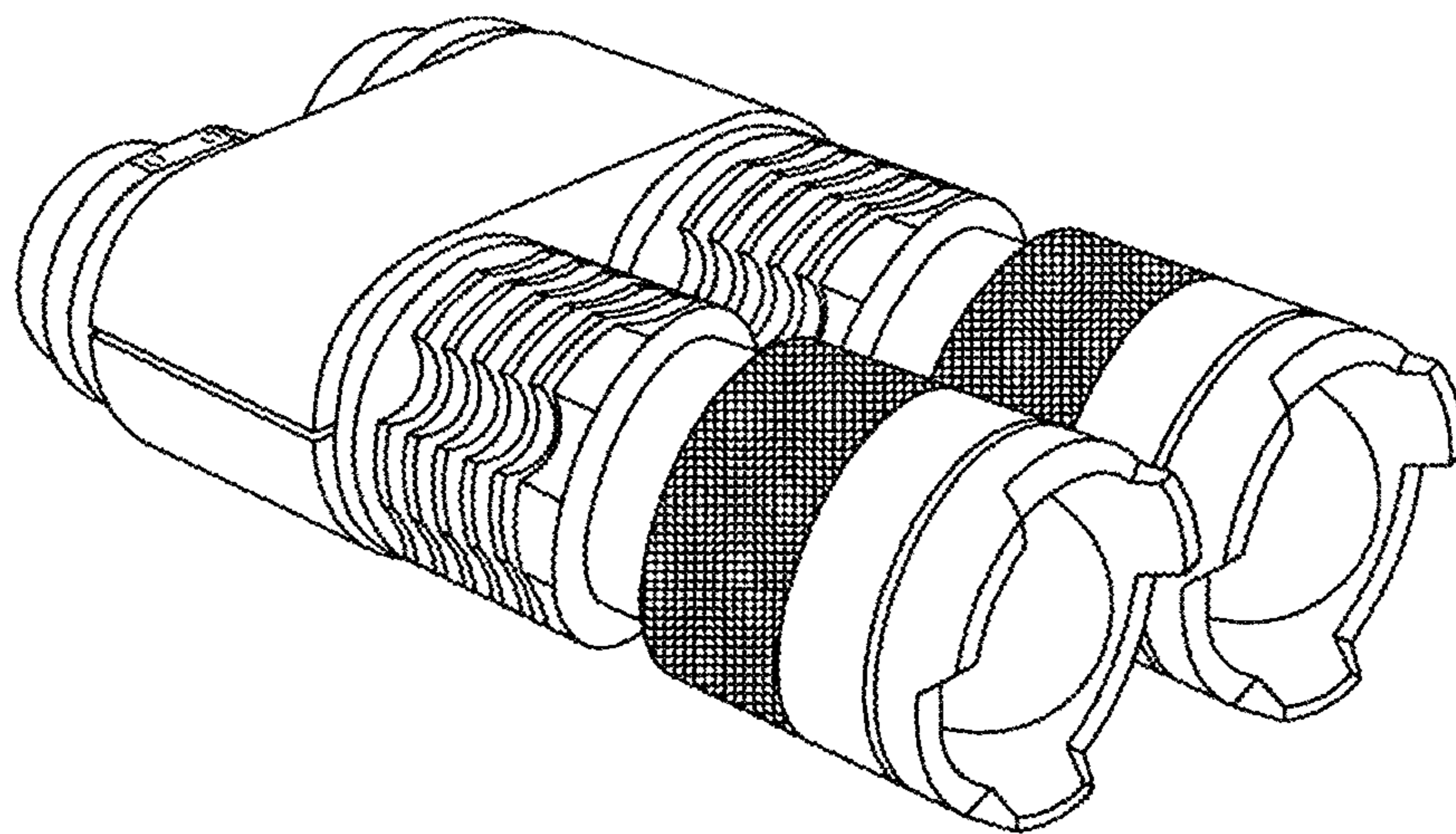


FIG. 8