



US00D935067S

(12) **United States Design Patent**  
**Hu**

(10) **Patent No.:** **US D935,067 S**

(45) **Date of Patent:** **\*\* Nov. 2, 2021**

(54) **LED DRIVING LIGHT FOR MOTORCYCLE**

(71) Applicant: **Chun Hu**, Guangzhou (CN)

(72) Inventor: **Chun Hu**, Guangzhou (CN)

(\*\*) Term: **15 Years**

(21) Appl. No.: **29/735,419**

(22) Filed: **May 21, 2020**

(51) **LOC (13) Cl.** ..... **26-06**

(52) **U.S. Cl.**  
USPC ..... **D26/28**

(58) **Field of Classification Search**  
USPC ..... D26/28-36, 139  
CPC ..... F21S 48/00; F21S 48/10; F21S 48/115;  
F21S 48/225; F21S 48/1233; F21S  
48/1266; F21S 48/1388; F21S 48/2268;  
F21V 21/04; F21V 29/004; B60Q 9/13;  
B60Q 9/135; B60Q 9/1375  
See application file for complete search history.

(56) **References Cited**

**U.S. PATENT DOCUMENTS**

D688,399 S *	8/2013	Adams	.....	D26/28
D735,908 S *	8/2015	Ko	.....	D26/28
D737,482 S *	8/2015	Kuge	.....	D26/28
D747,516 S *	1/2016	Yang	.....	D26/28

D748,831 S *	2/2016	Fan	.....	D26/28
D754,891 S *	4/2016	Leban	.....	D26/28
D766,473 S *	9/2016	Riedel	.....	D26/28
D788,334 S *	5/2017	Jacq	.....	D26/28
D799,080 S *	10/2017	Dennis	.....	D26/28
D827,883 S *	9/2018	Deyaf	.....	D26/28

\* cited by examiner

*Primary Examiner* — Marcus A Jackson

(57) **CLAIM**

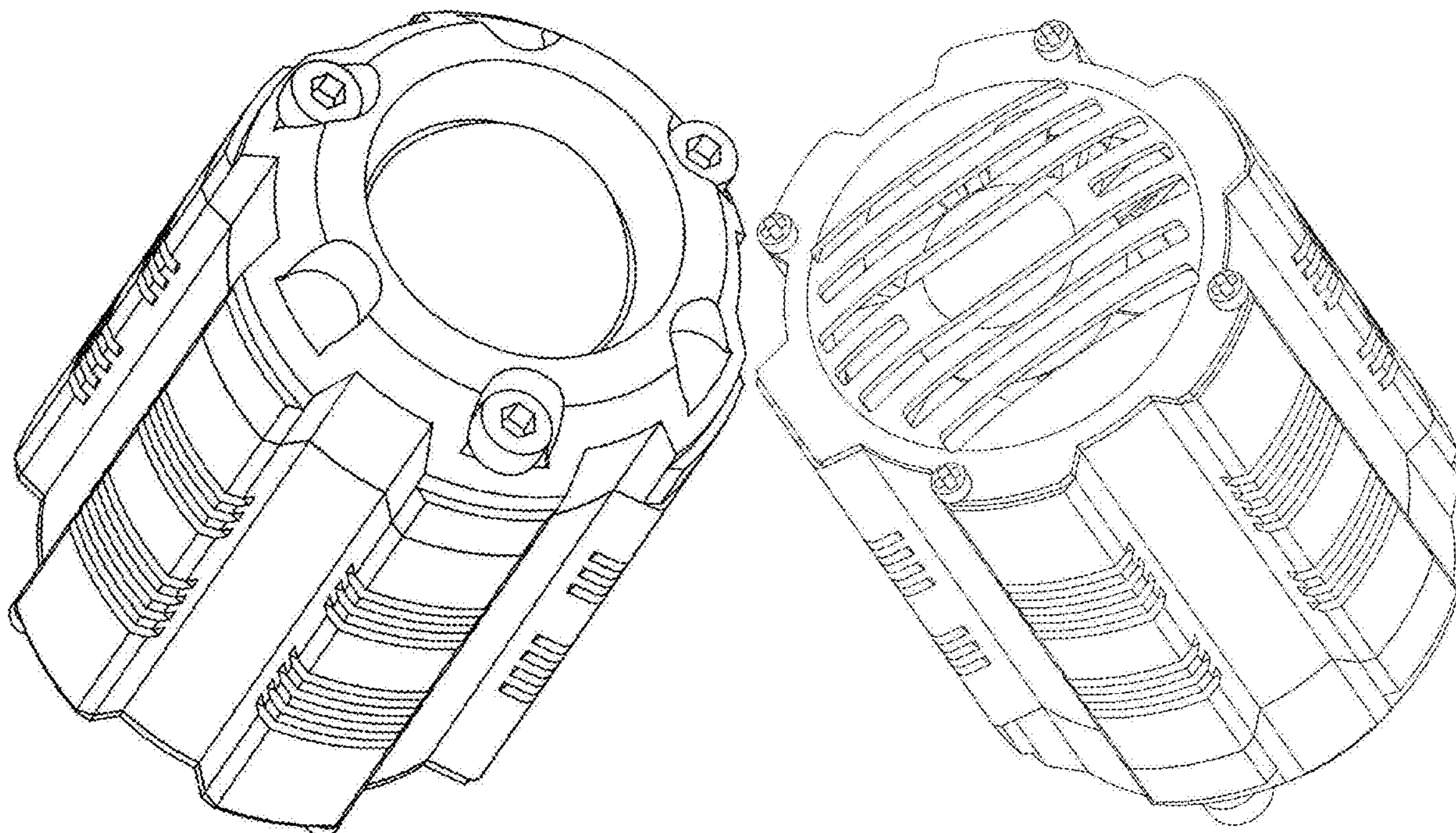
The ornamental design for LED driving light for a motorcycle, as shown and described.

**DESCRIPTION**

FIG. 1 is a top view of the light design;  
FIG. 2 is a bottom view thereof;  
FIG. 3 is a front view thereof;  
FIG. 4 is a left-side view thereof;  
FIG. 5 is a right-side view thereof;  
FIG. 6 is a top-side vertical view thereof;  
FIG. 7 is a bottom-side vertical view thereof; and,  
FIG. 8 is a back view thereof.

My light design is a LED light suitable for various types of motorcycles, which can be also installed to pillar A and bumpers of SUVs, All Terrain Vehicles and electric bicycles. FIG. 4 shows the fan cowl of the light, inside of which is a fan. FIG. 5 shows the optical lens of the design. The circle in FIG. 6 and the three circles in FIG. 7 are screw holes for fixing brackets.

**1 Claim, 8 Drawing Sheets**



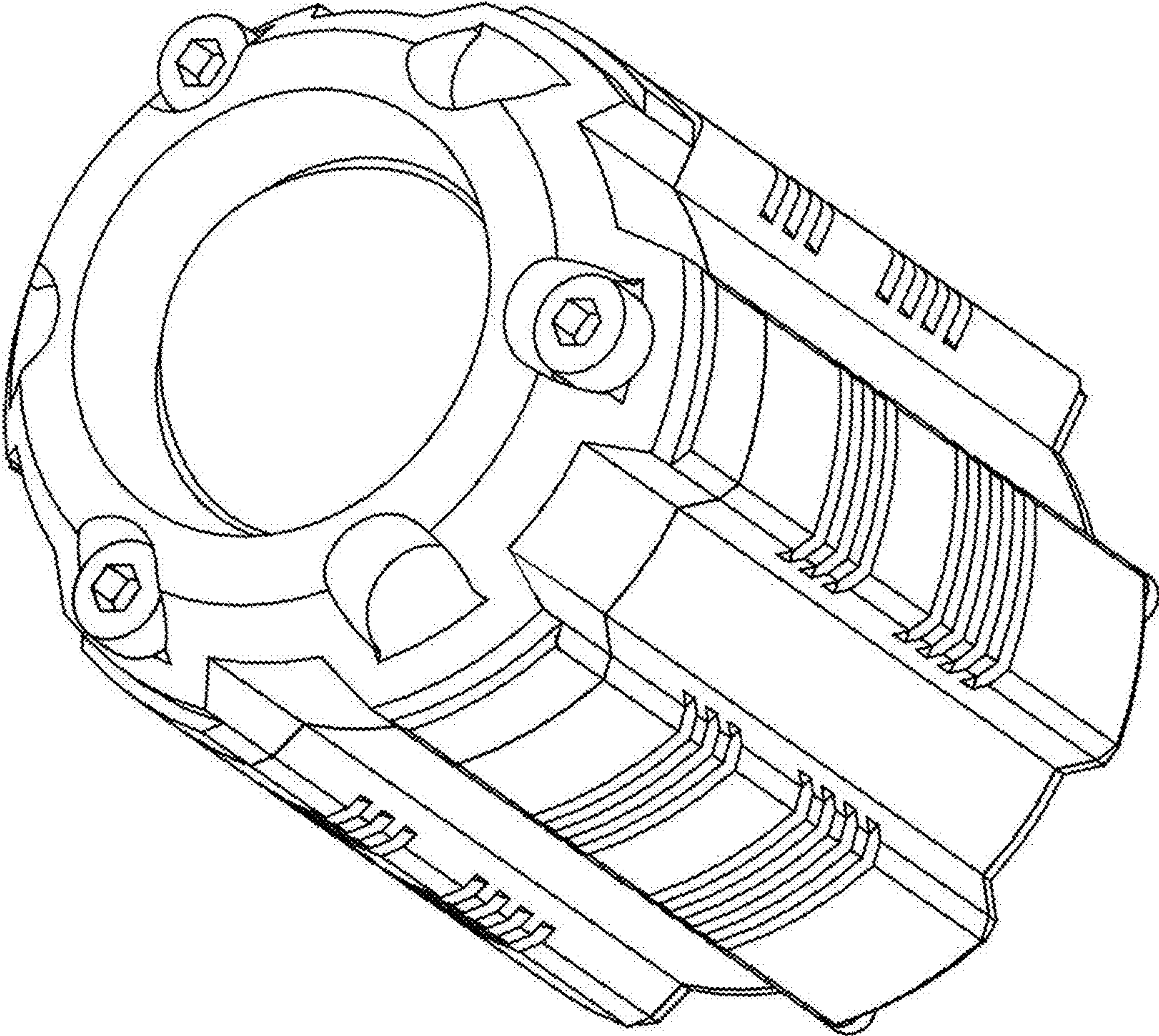
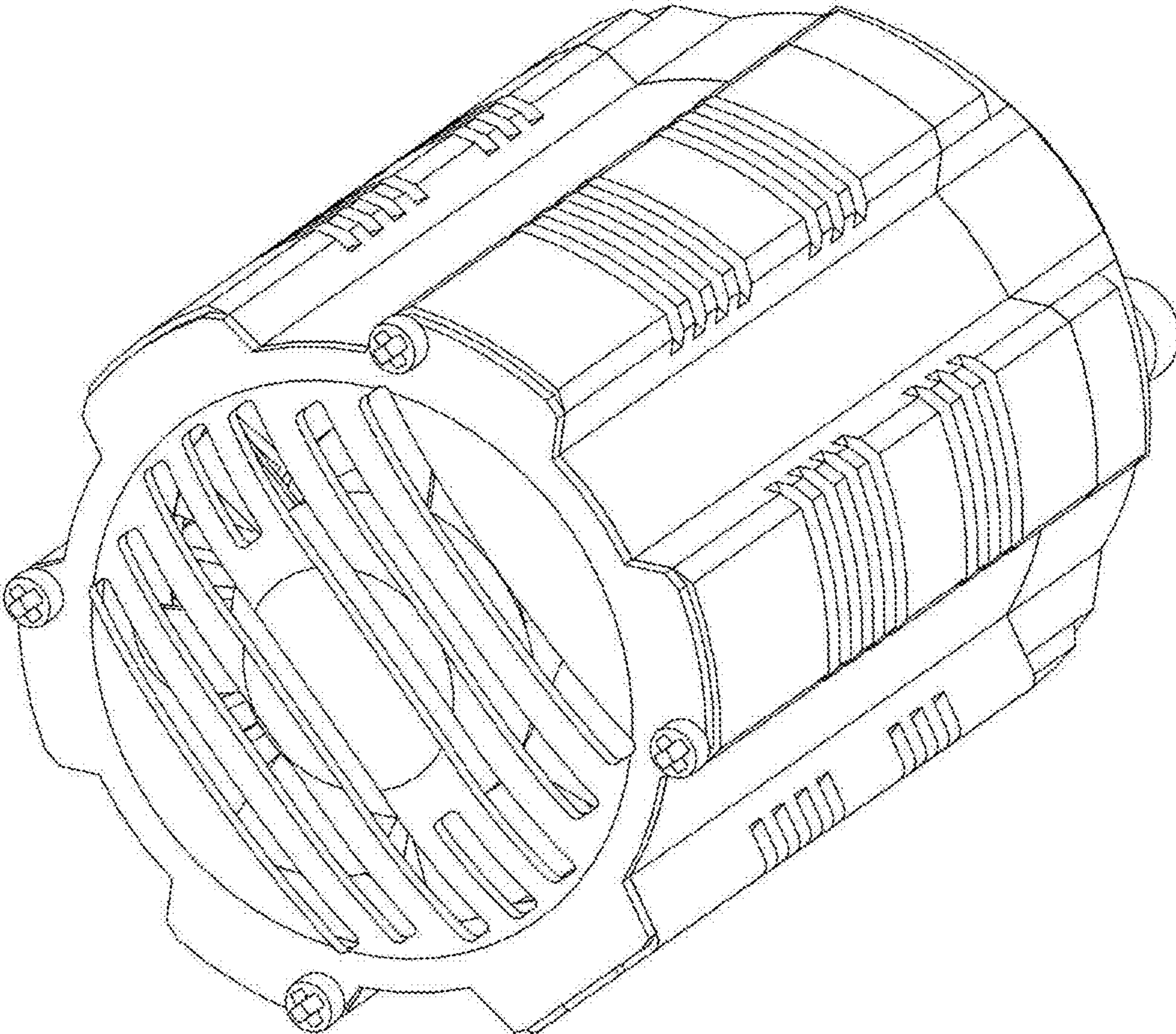
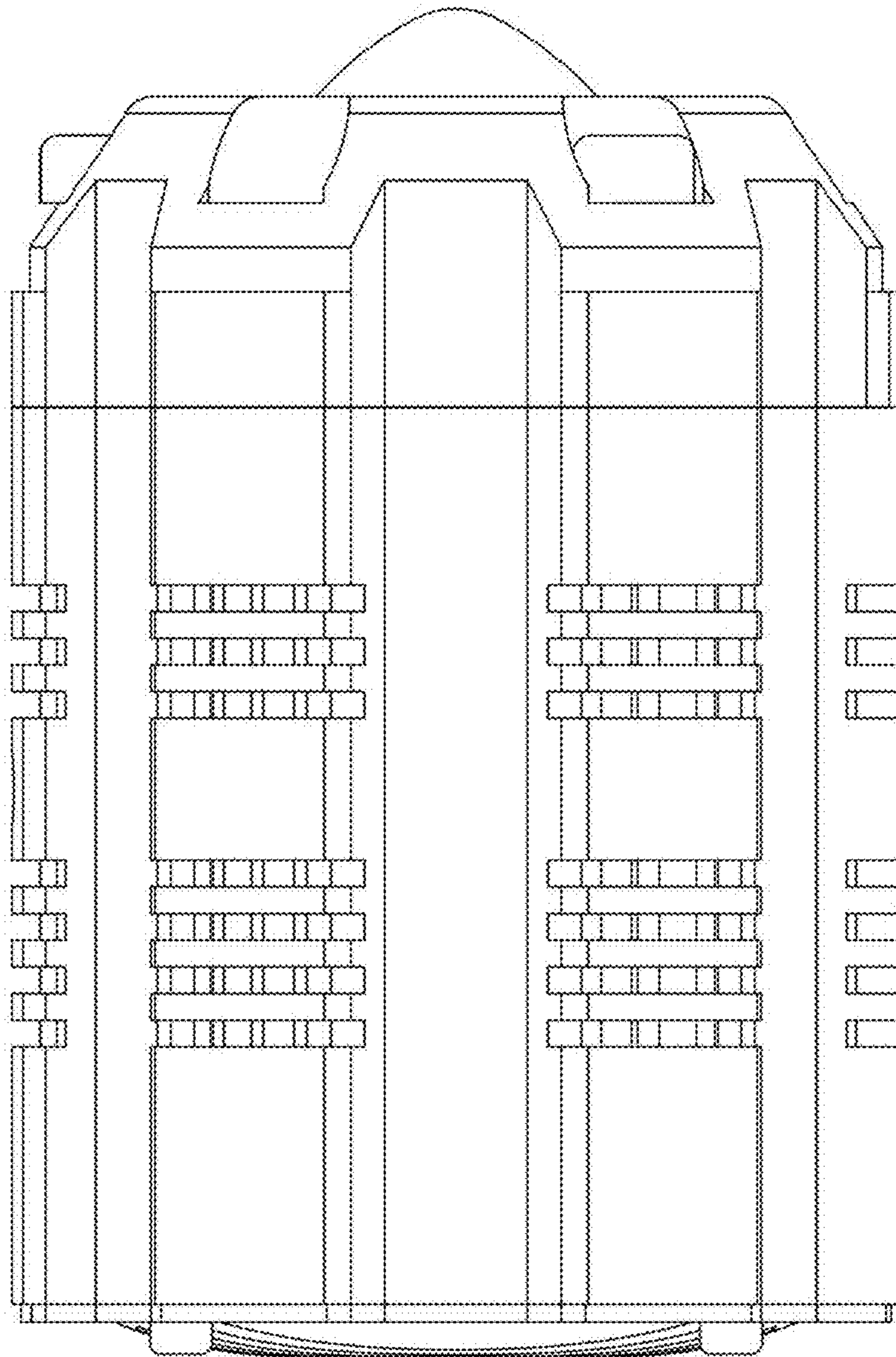


FIG. 1





**FIG. 2**



**FIG. 3**

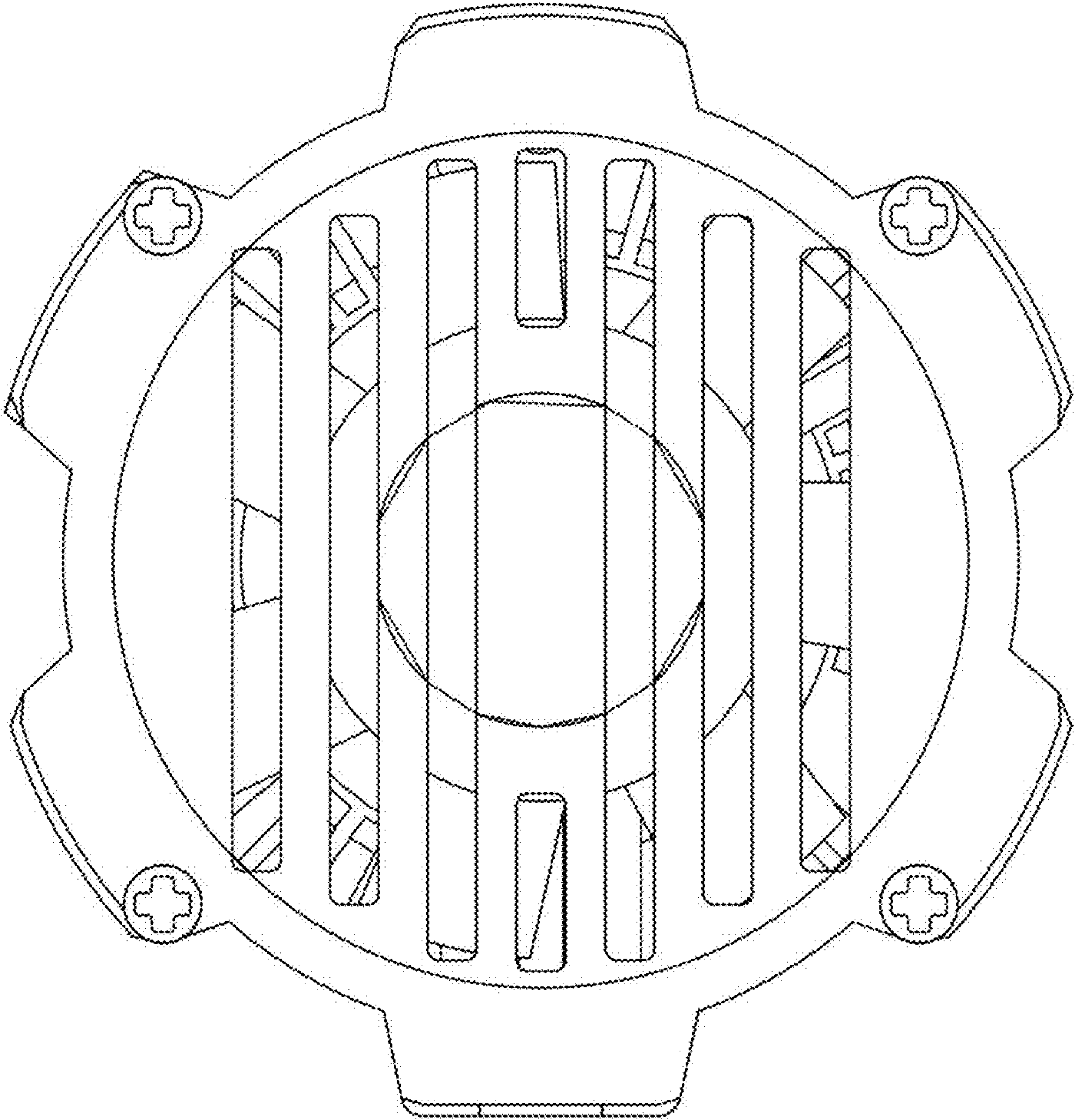
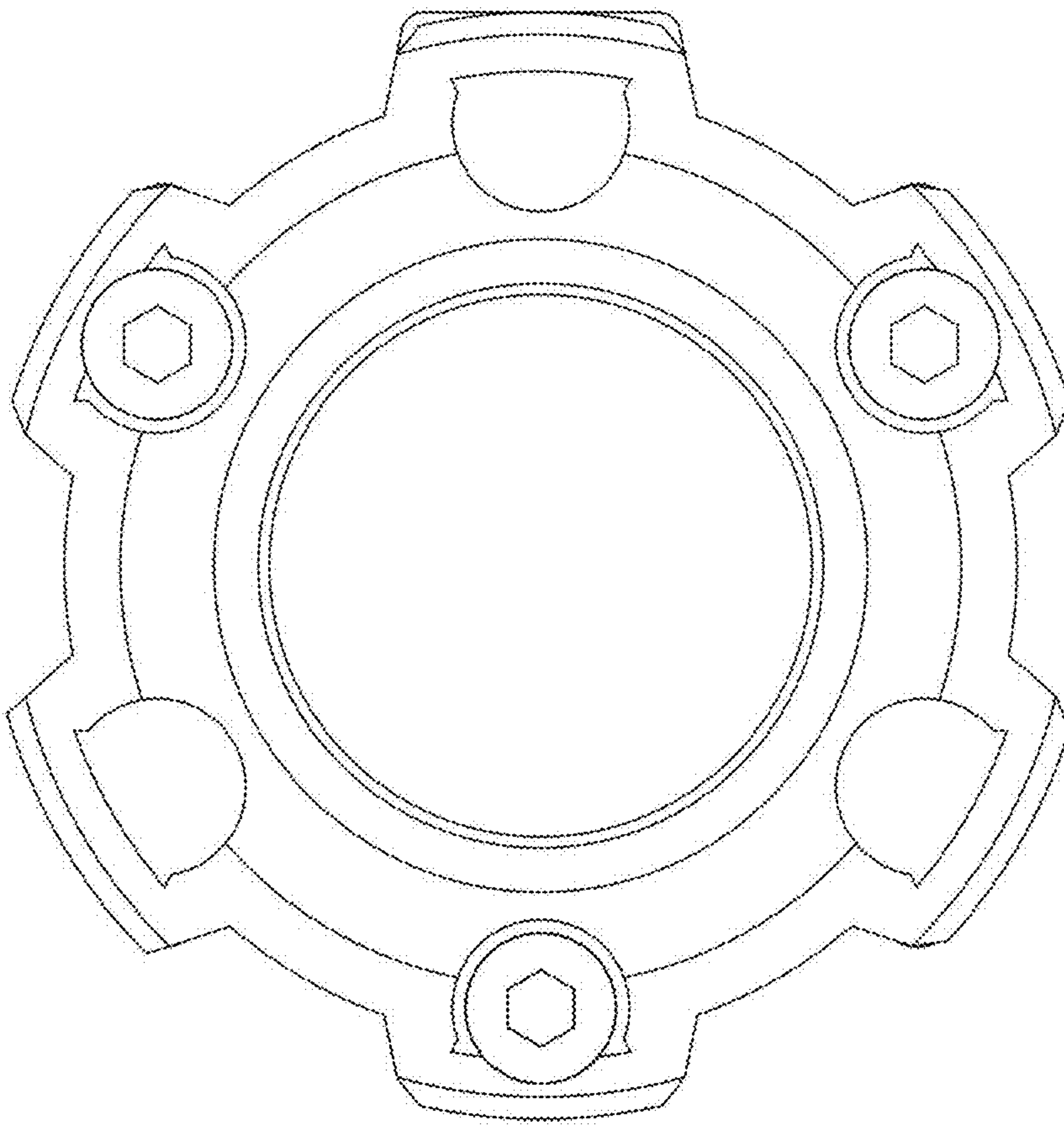
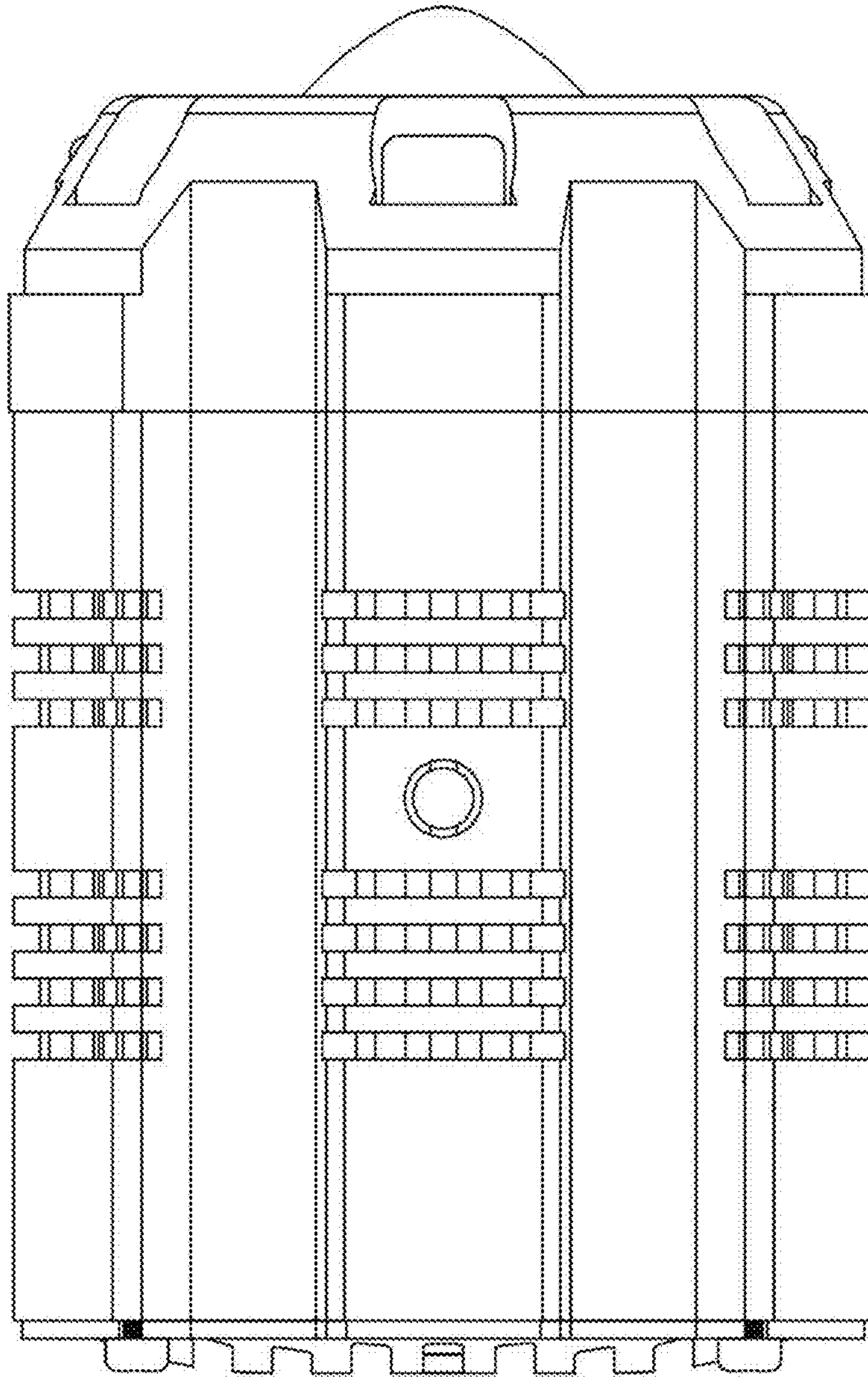


FIG. 4





**FIG. 5**



**FIG. 6**

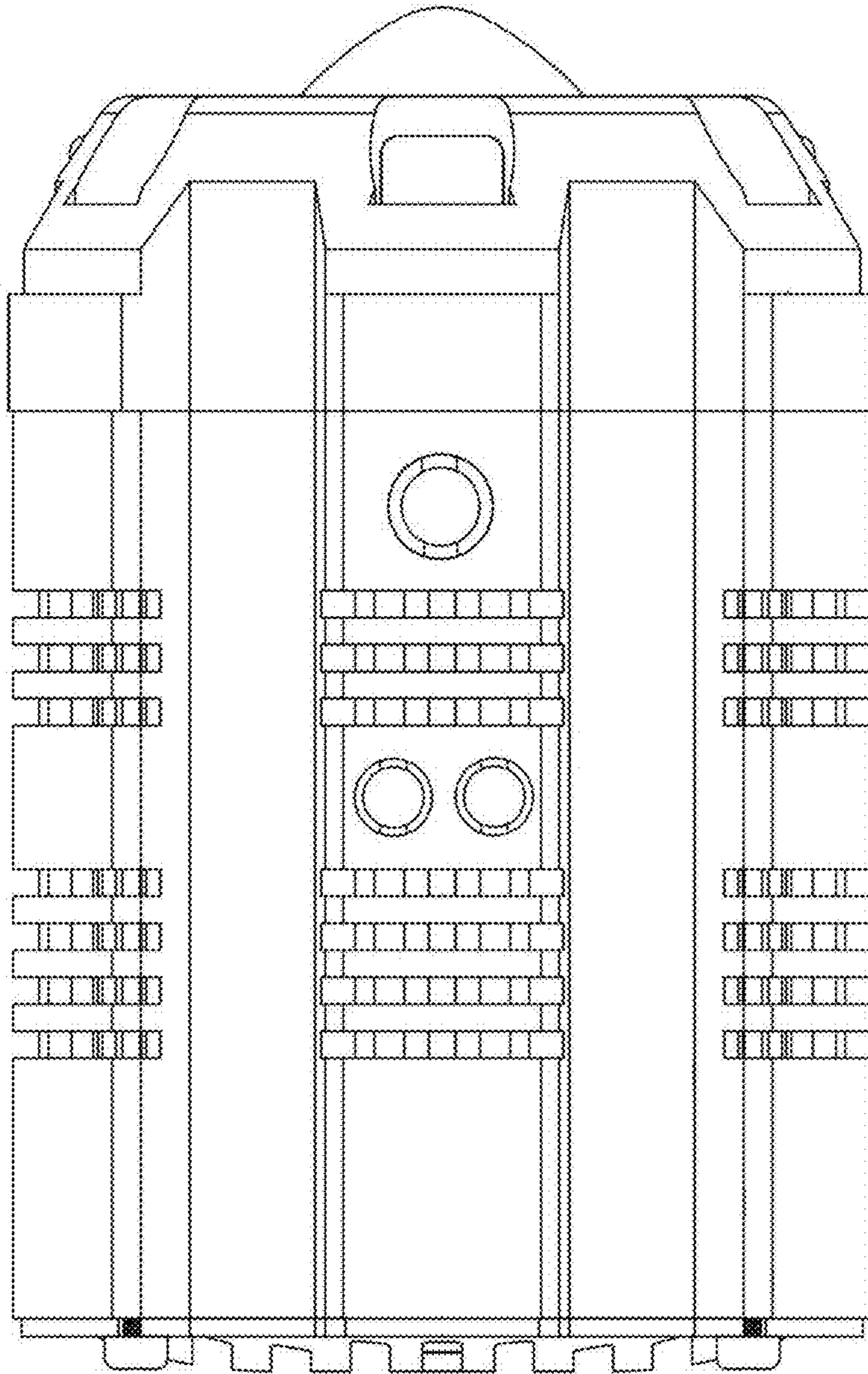
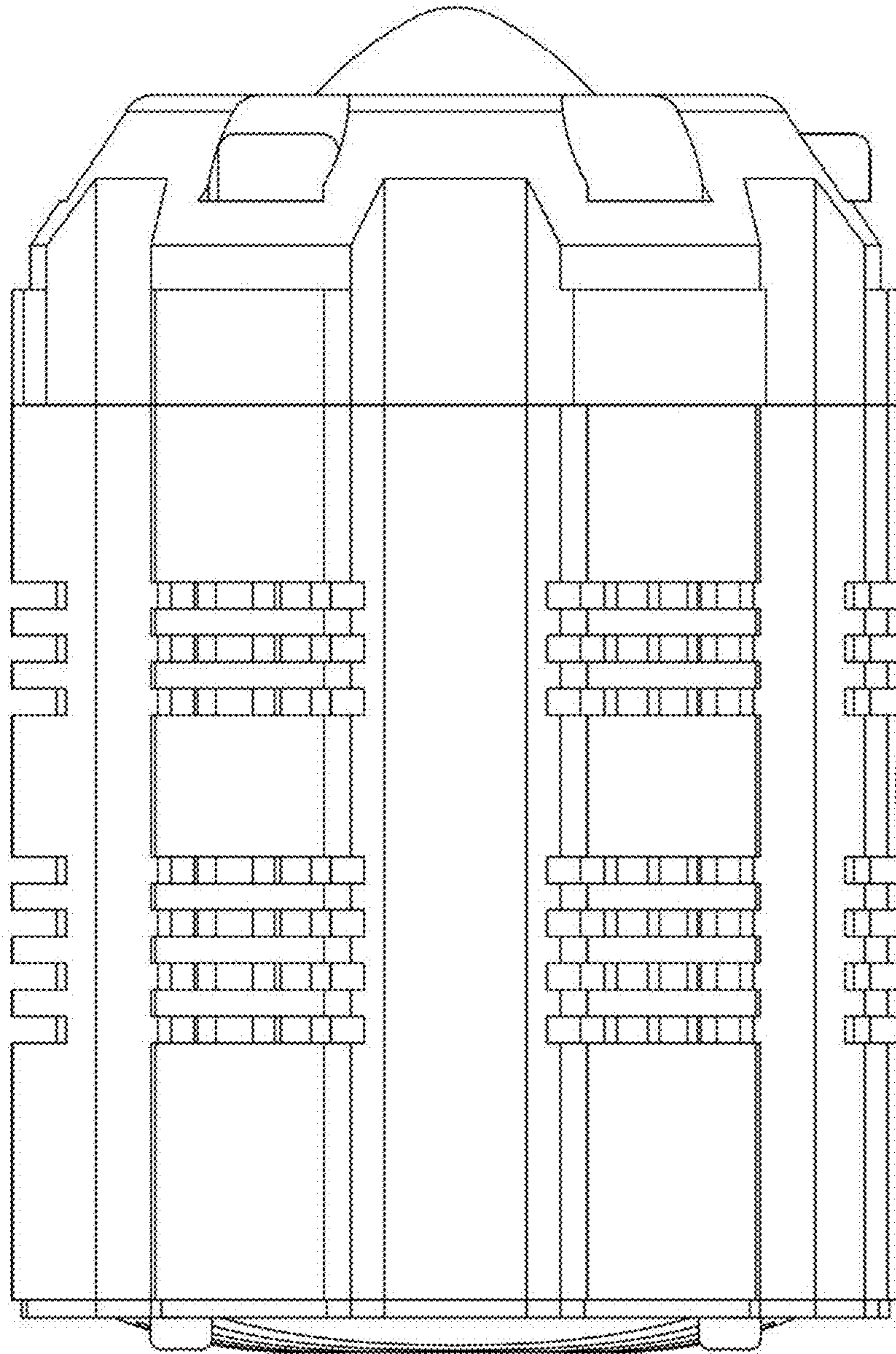


FIG. 7





**FIG. 8**