



US00D935066S

(12) **United States Design Patent** (10) **Patent No.:** **US D935,066 S**  
**Abina** (45) **Date of Patent:** **\*\* Nov. 2, 2021**

(54) **LED HEADLIGHT HOUSING AND FRONT BEZEL**

(71) Applicant: **Richard Lee Abina**, El Mirage, AZ (US)

(72) Inventor: **Richard Lee Abina**, El Mirage, AZ (US)

(\*\*) Term: **15 Years**

(21) Appl. No.: **29/719,450**

(22) Filed: **Jan. 3, 2020**

(51) **LOC (13) Cl.** ..... **26-06**

(52) **U.S. Cl.**  
USPC ..... **D26/28**

(58) **Field of Classification Search**  
USPC ..... D26/28-36, 139  
CPC ..... F21S 48/00; F21S 48/10; F21S 48/115;  
F21S 48/225; F21S 48/1233; F21S 48/1266; F21S 48/1388; F21S 48/2268;  
F21V 21/04; F21V 29/004; B60Q 9/13; B60Q 9/135; B60Q 9/1375  
See application file for complete search history.

(56) **References Cited**

**U.S. PATENT DOCUMENTS**

D688,399 S \* 8/2013 Adams ..... D26/28  
D735,908 S \* 8/2015 Ko ..... D26/28  
D737,482 S \* 8/2015 Kuge ..... D26/28  
D747,516 S \* 1/2016 Yang ..... D26/28  
D748,831 S \* 2/2016 Fan ..... D26/28

D754,891 S \* 4/2016 Leban ..... D26/28  
D766,473 S \* 9/2016 Riedel ..... D26/28  
D788,334 S \* 5/2017 Jacq ..... D26/28  
D799,080 S \* 10/2017 Dennis ..... D26/28  
D827,883 S \* 9/2018 Deyaf ..... D26/28

\* cited by examiner

*Primary Examiner* — Marcus A Jackson

(74) *Attorney, Agent, or Firm* — Quickpatents, LLC; Kevin Prince

(57) **CLAIM**

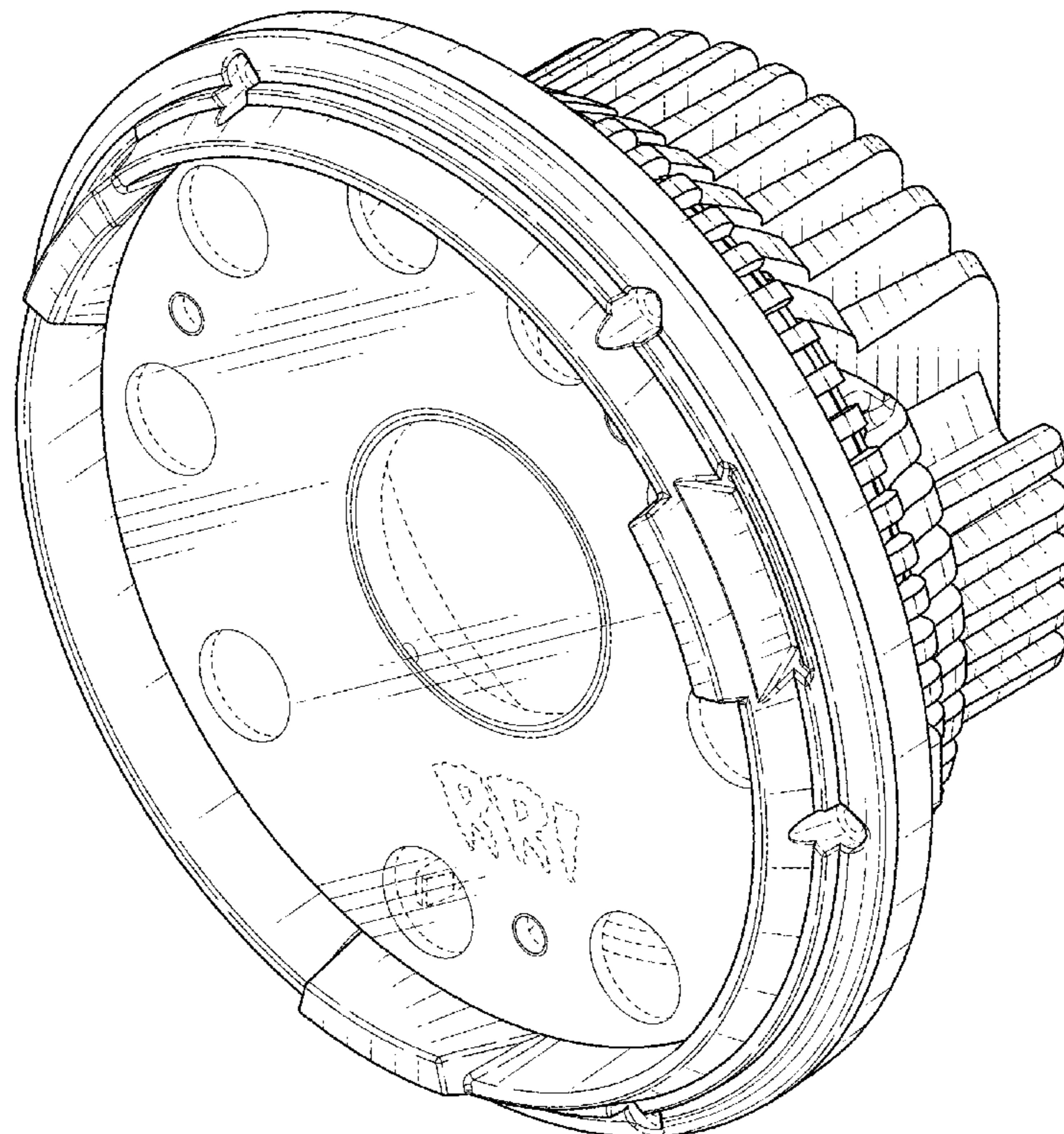
The ornamental design for a LED headlight housing and front bezel, as shown and described.

**DESCRIPTION**

FIG. 1 is a perspective view of a LED headlight housing and front bezel, showing my new design;  
FIG. 2 is an enlarged front perspective view thereof;  
FIG. 3 is a top rear perspective view of FIG. 2;  
FIG. 4 is a bottom rear perspective view of FIG. 2;  
FIG. 5 is a front elevational view of FIG. 2;  
FIG. 6 is a rear elevational view of FIG. 2;  
FIG. 7 is a left-side elevational view of FIG. 2;  
FIG. 8 is a right-side elevational view of FIG. 2;  
FIG. 9 is a top plan view of FIG. 2; and,  
FIG. 10 is a bottom plan view of FIG. 2.

The broken lines showing a motorcycle in FIG. 1 and a logo in the figures depict environmental matter and form no part of the claimed design. The broken lines showing internal portions of the LED headlight housing form no part of the claimed design.

**1 Claim, 9 Drawing Sheets**



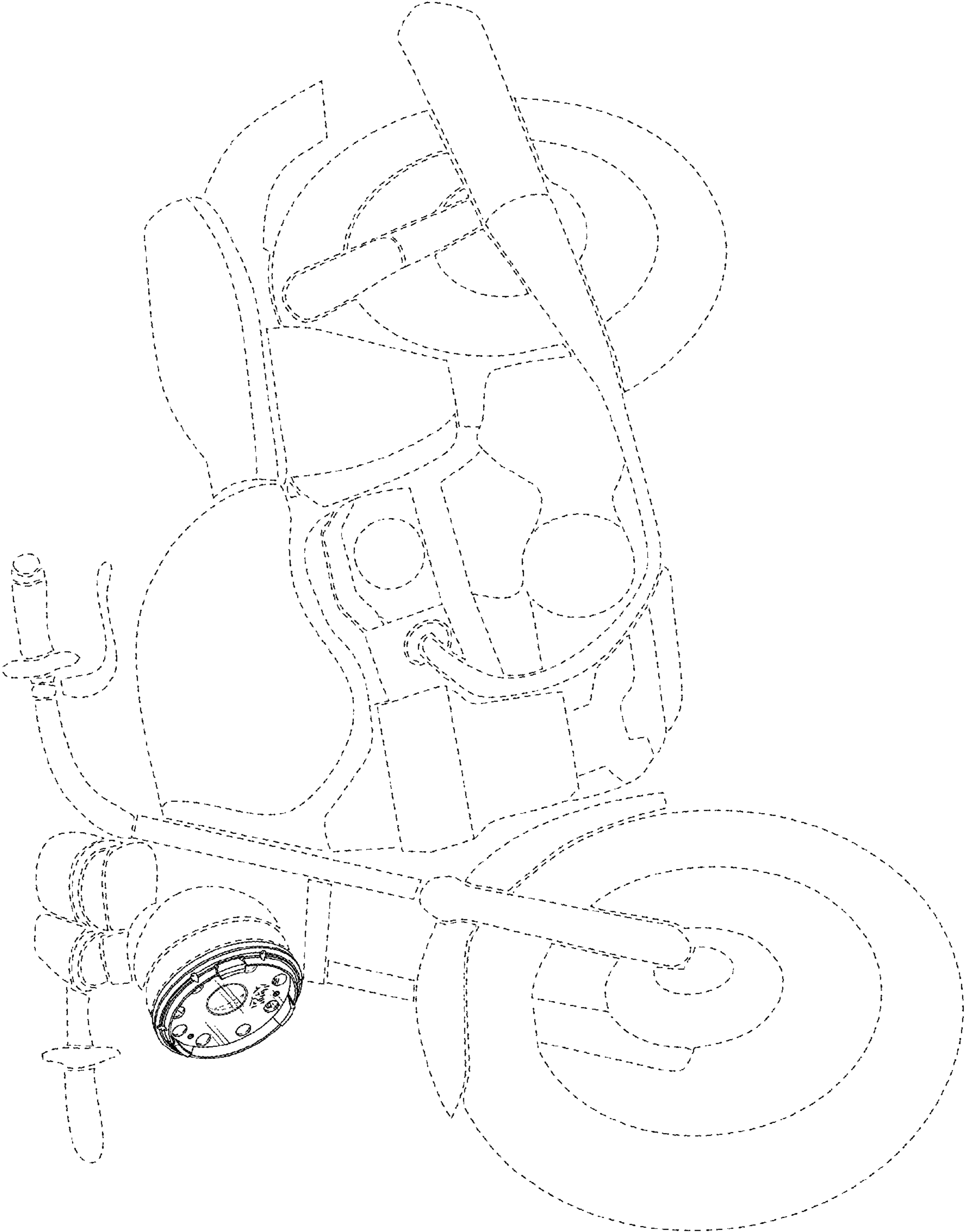


FIG. 1



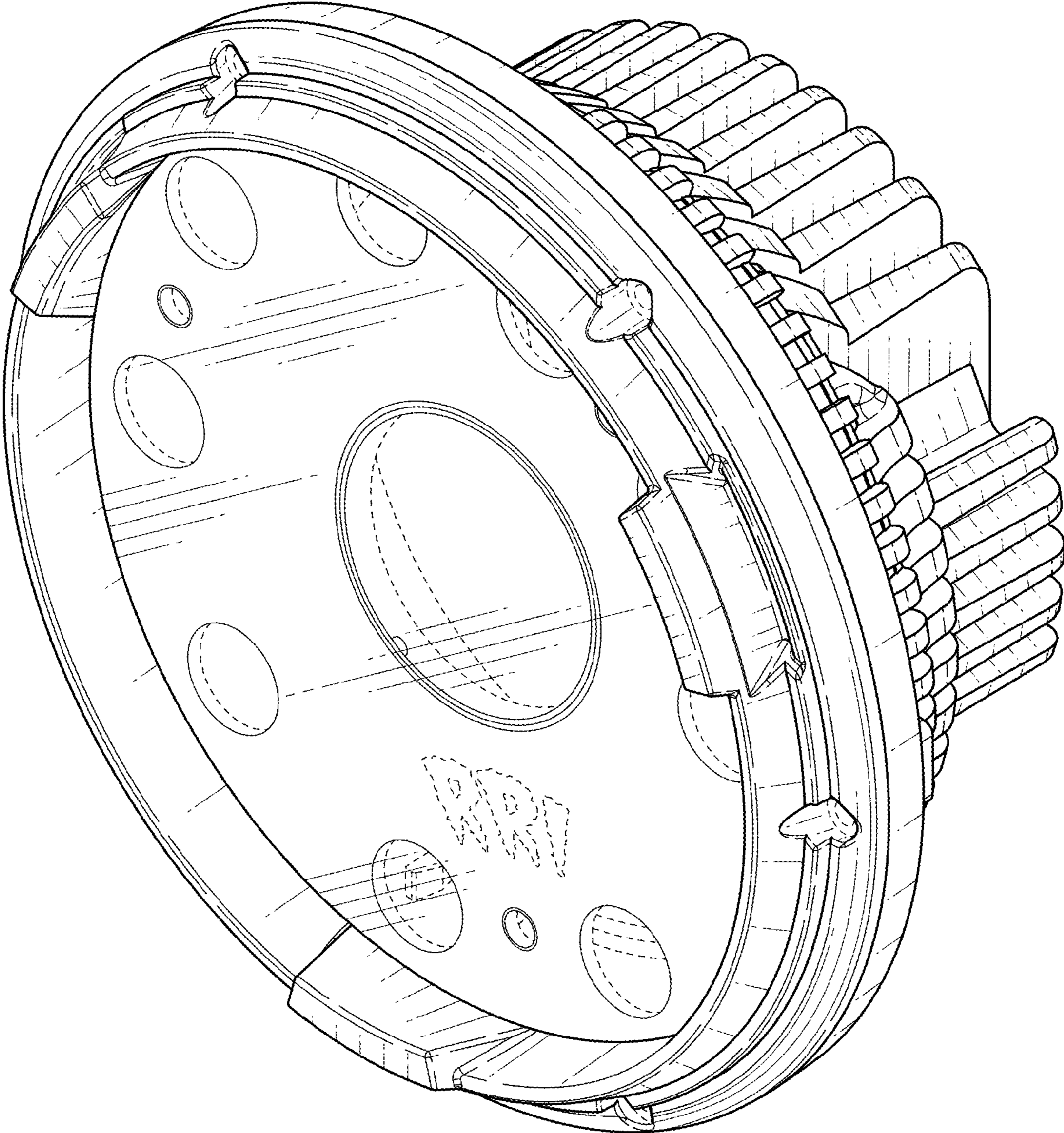


FIG. 2

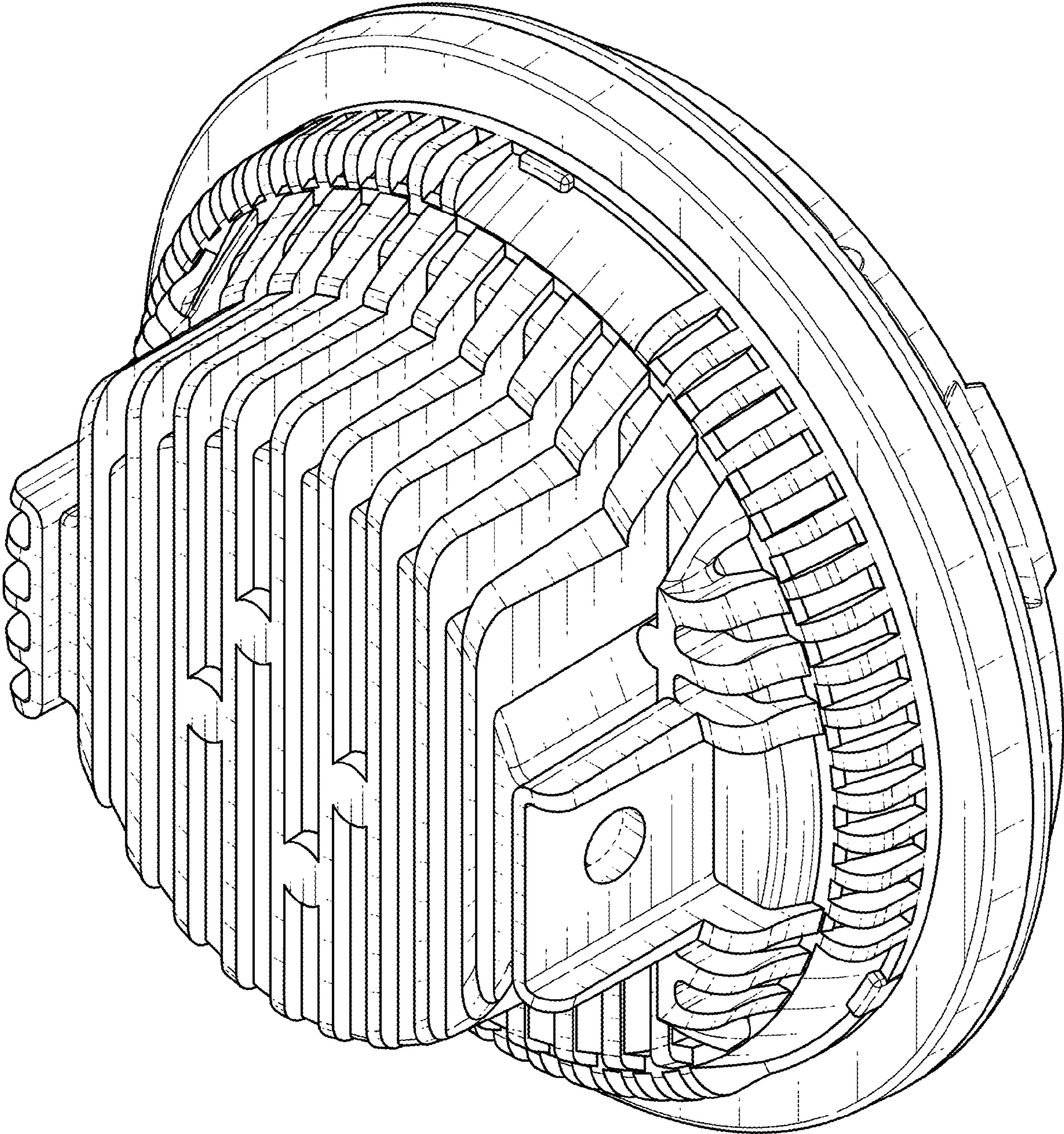


FIG. 3



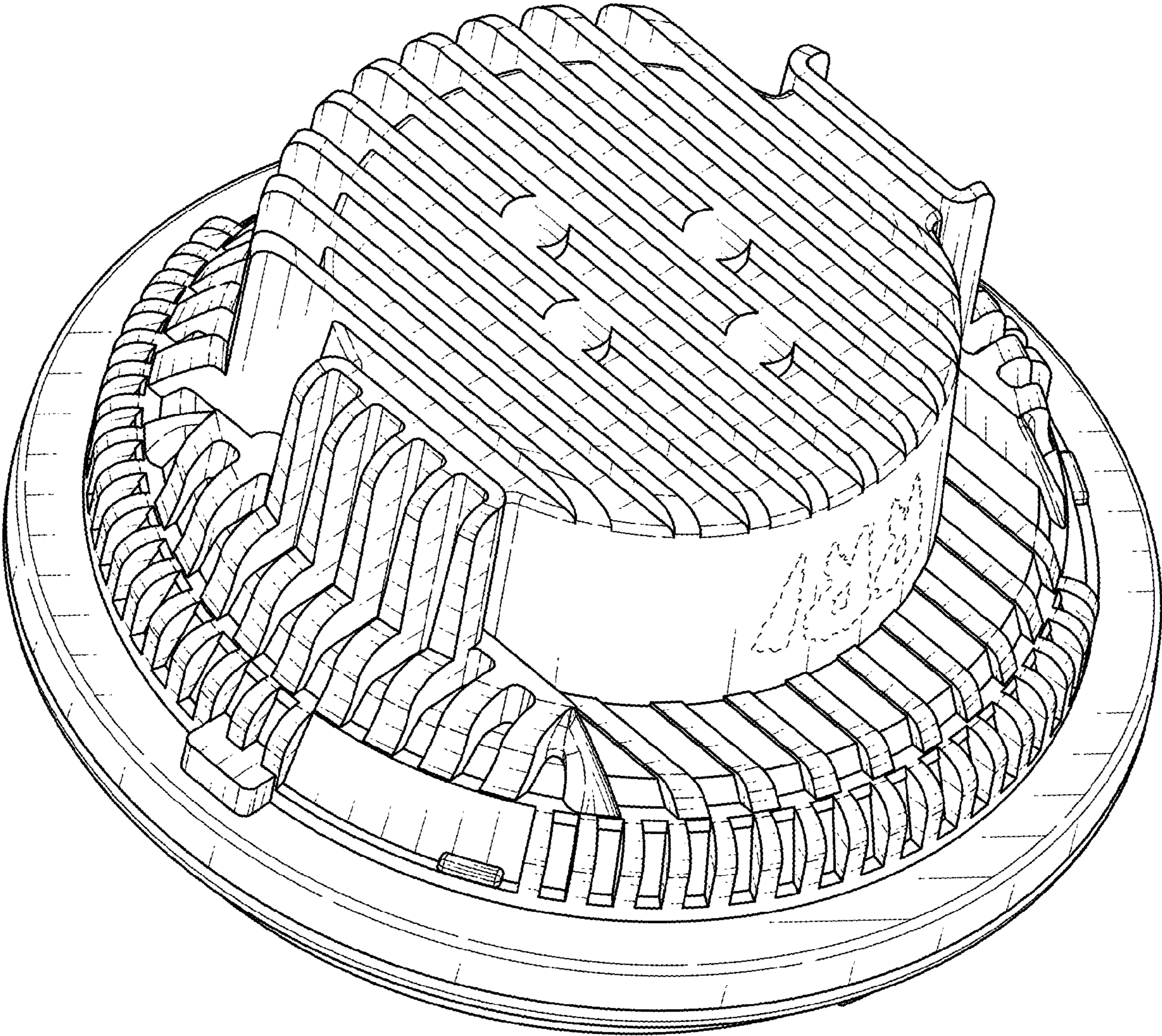


FIG. 4

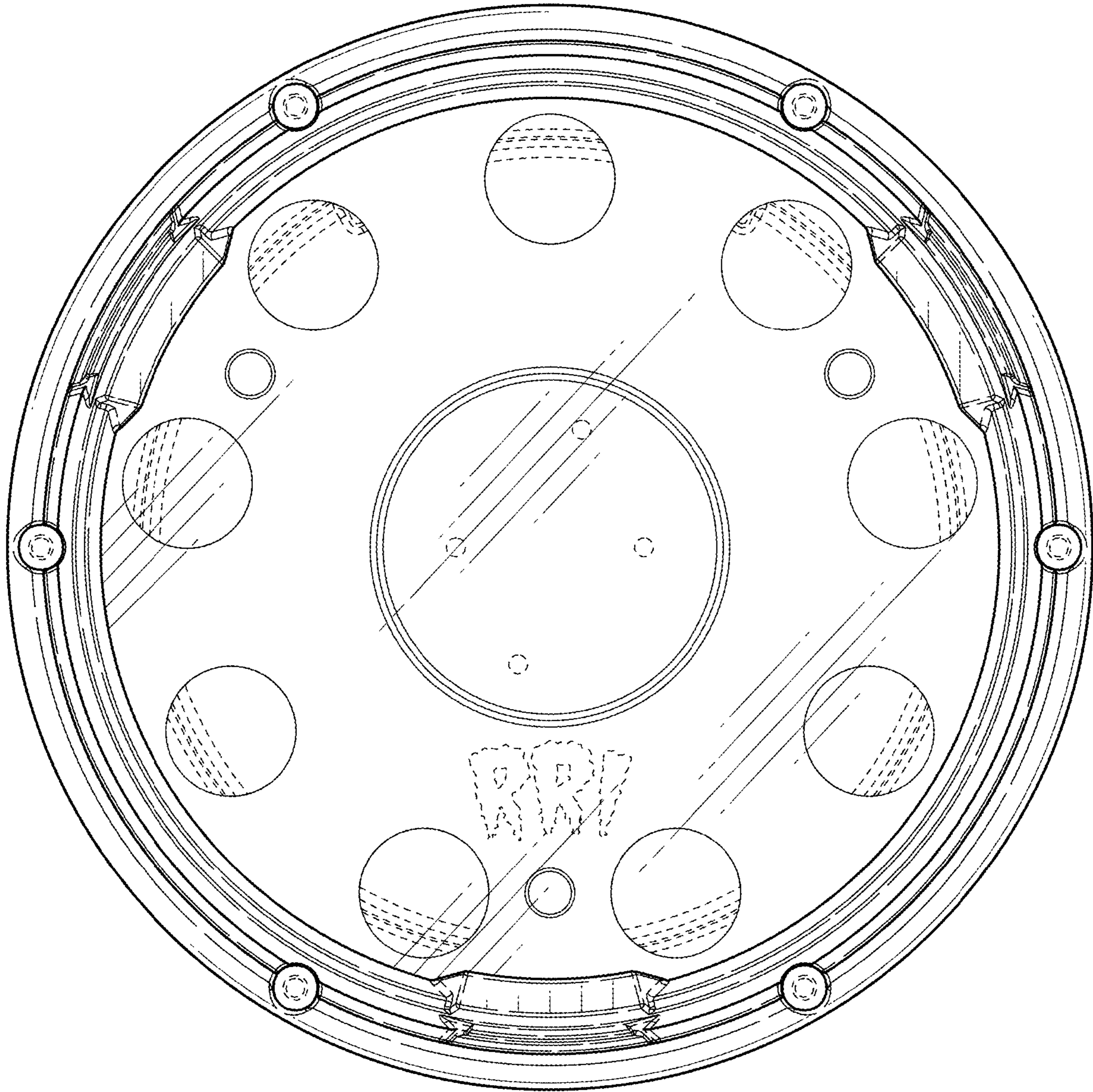


FIG. 5



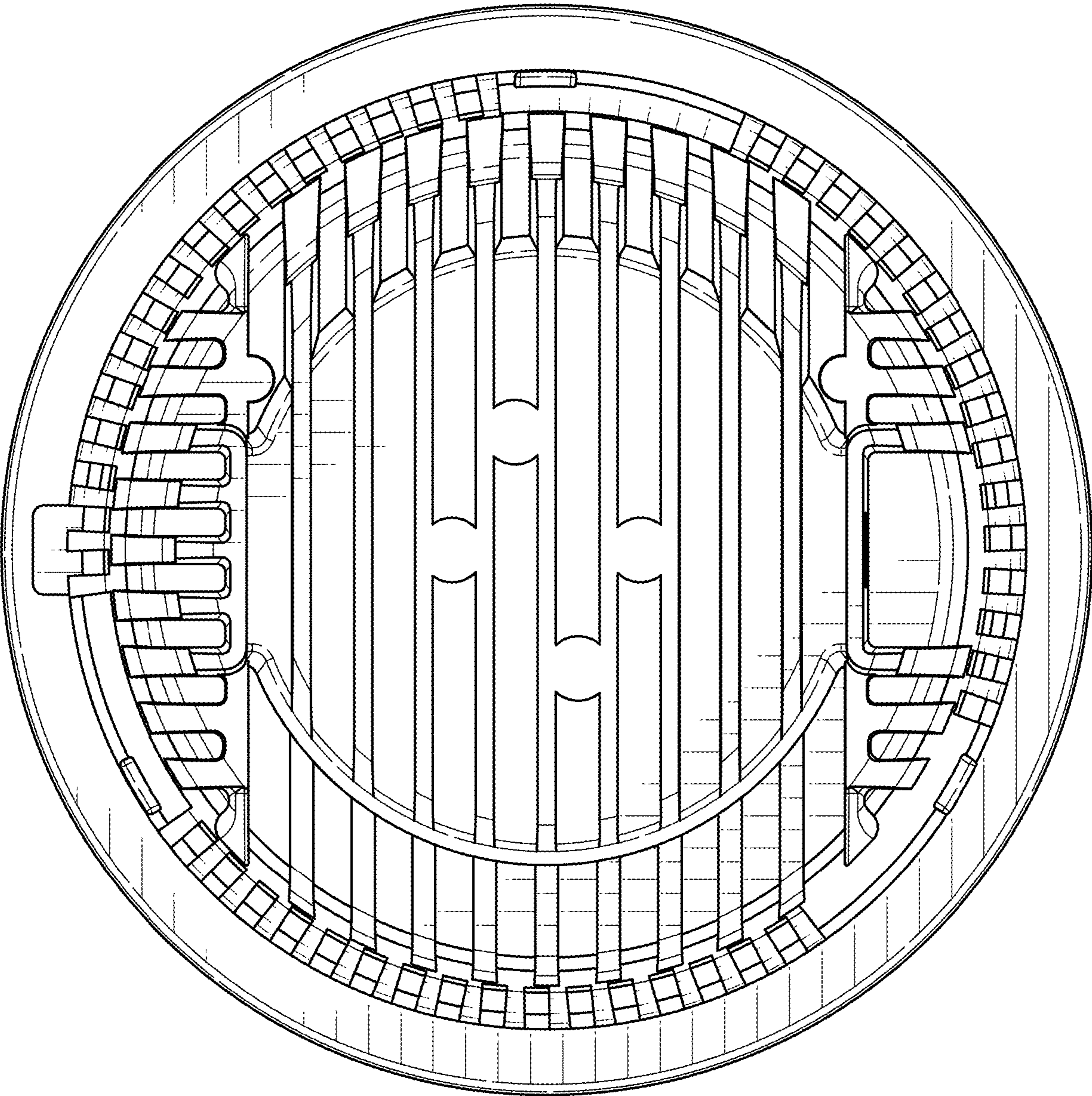


FIG. 6

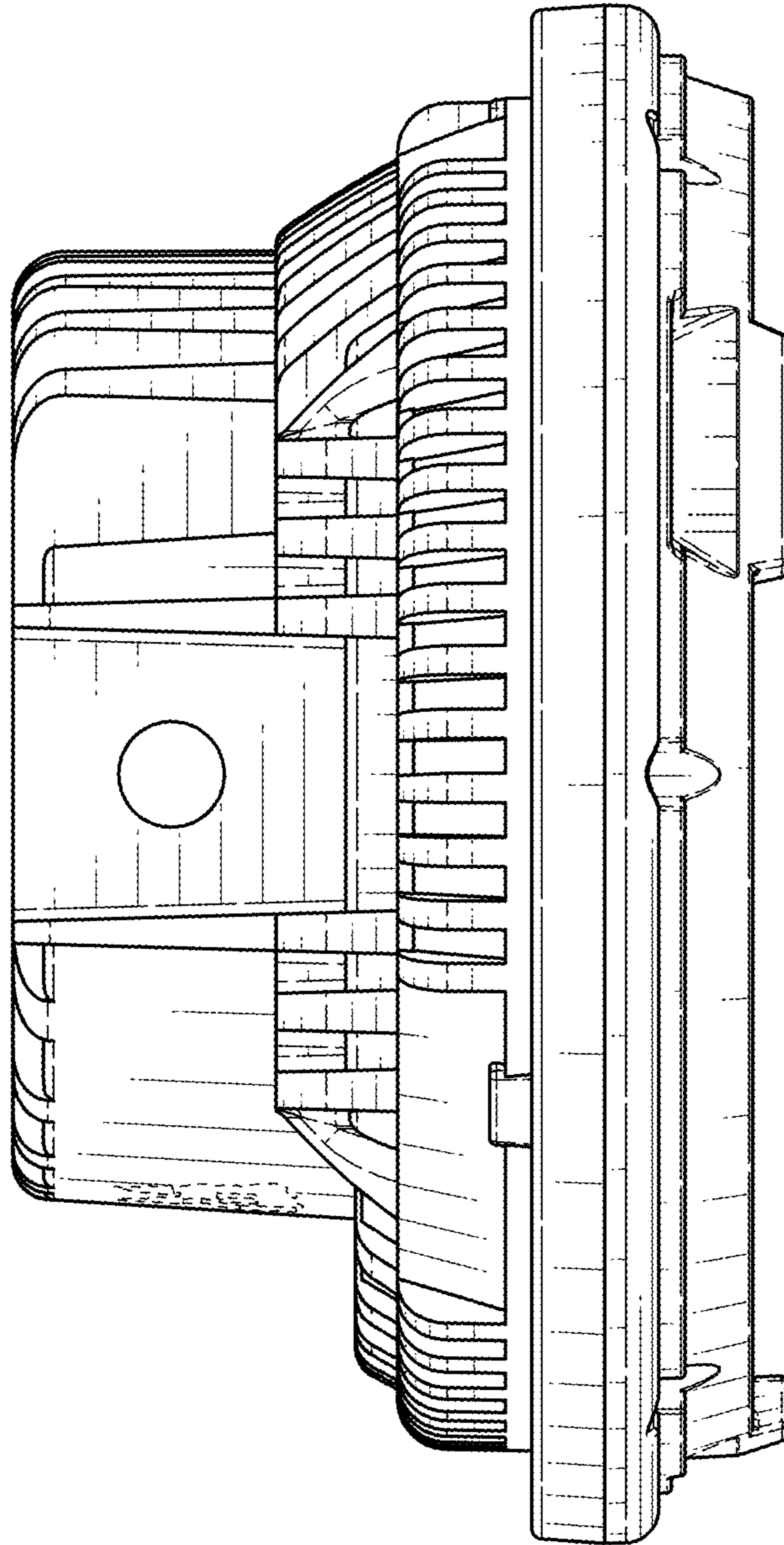


FIG. 7



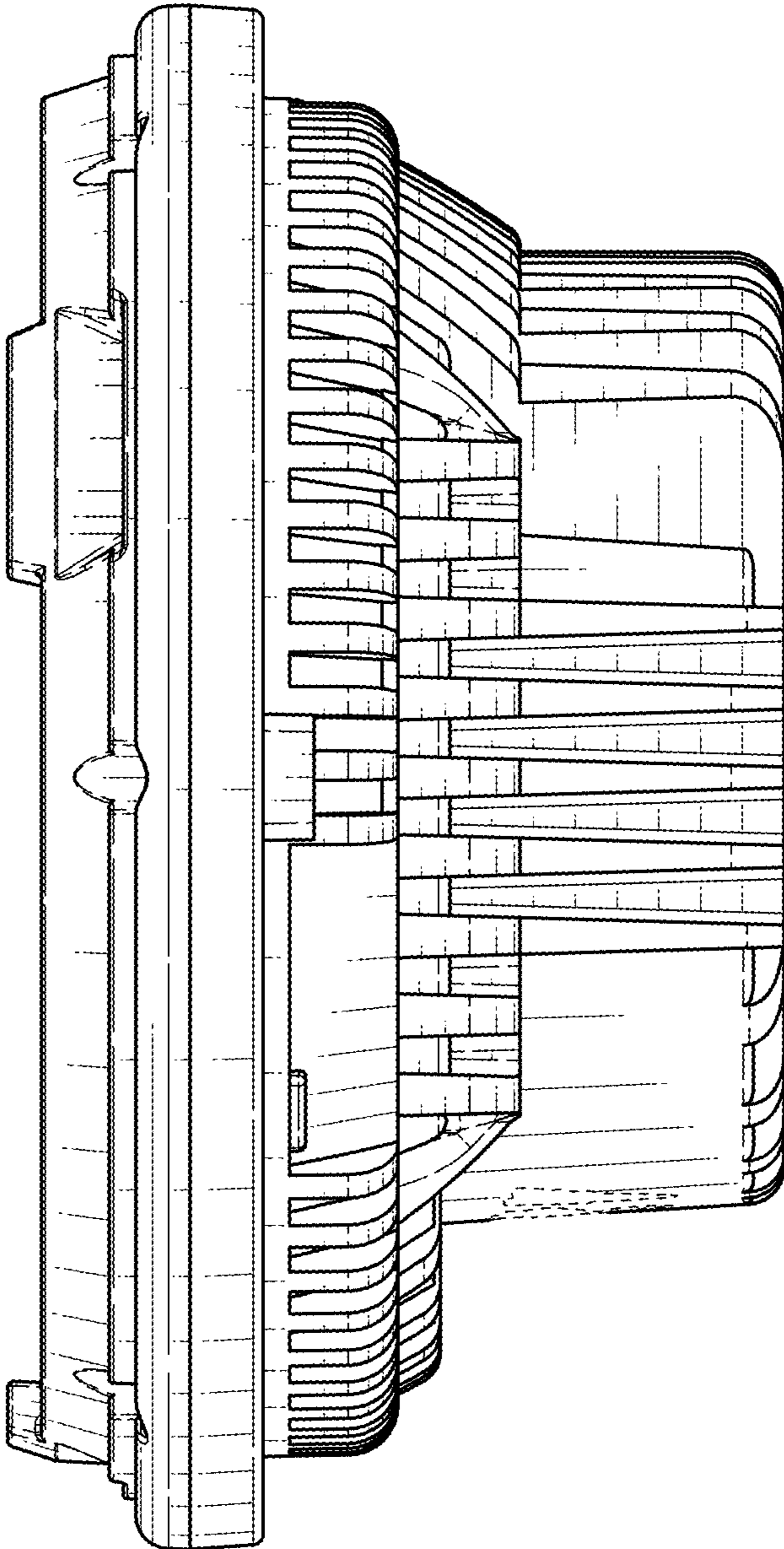


FIG. 8

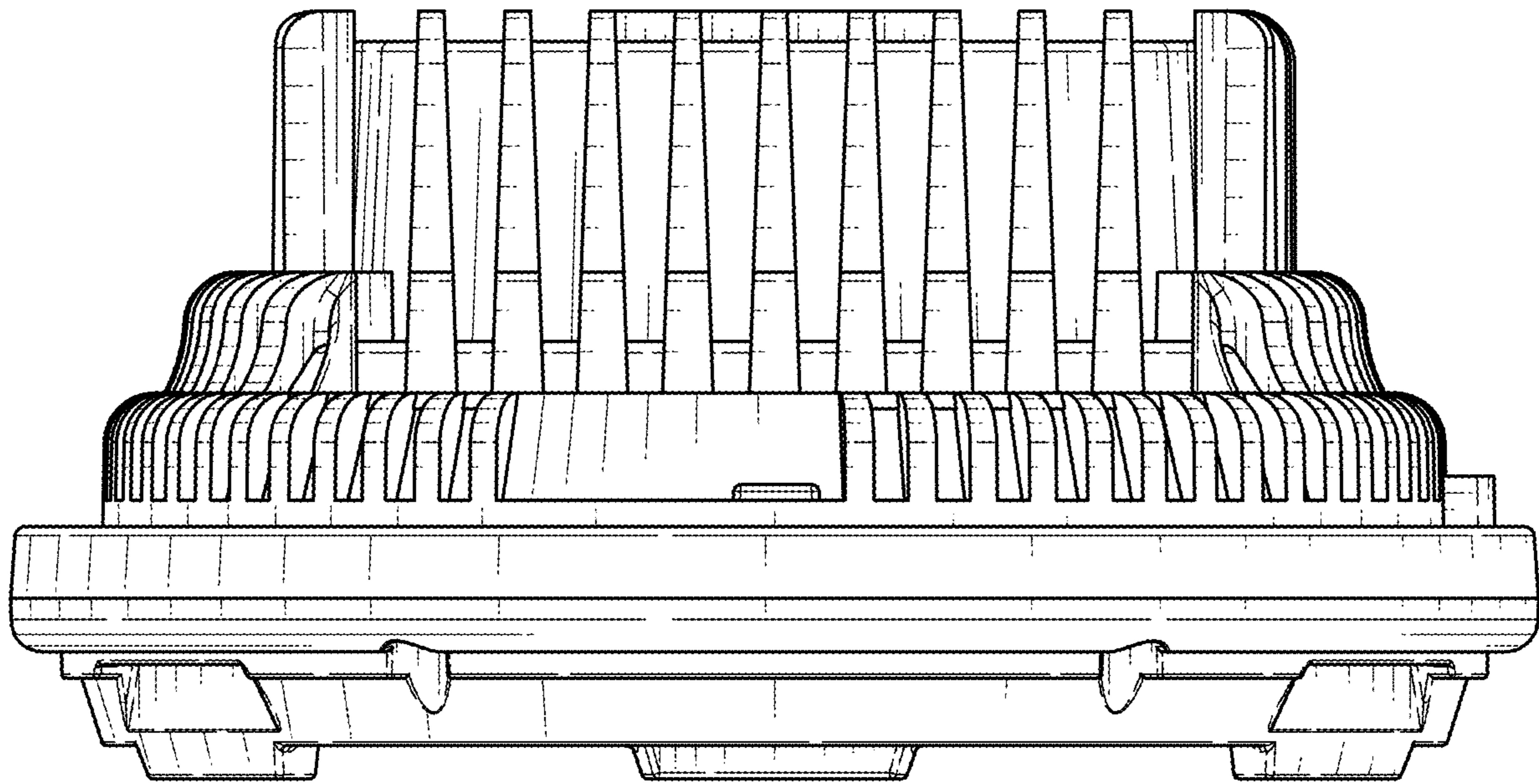


FIG. 9

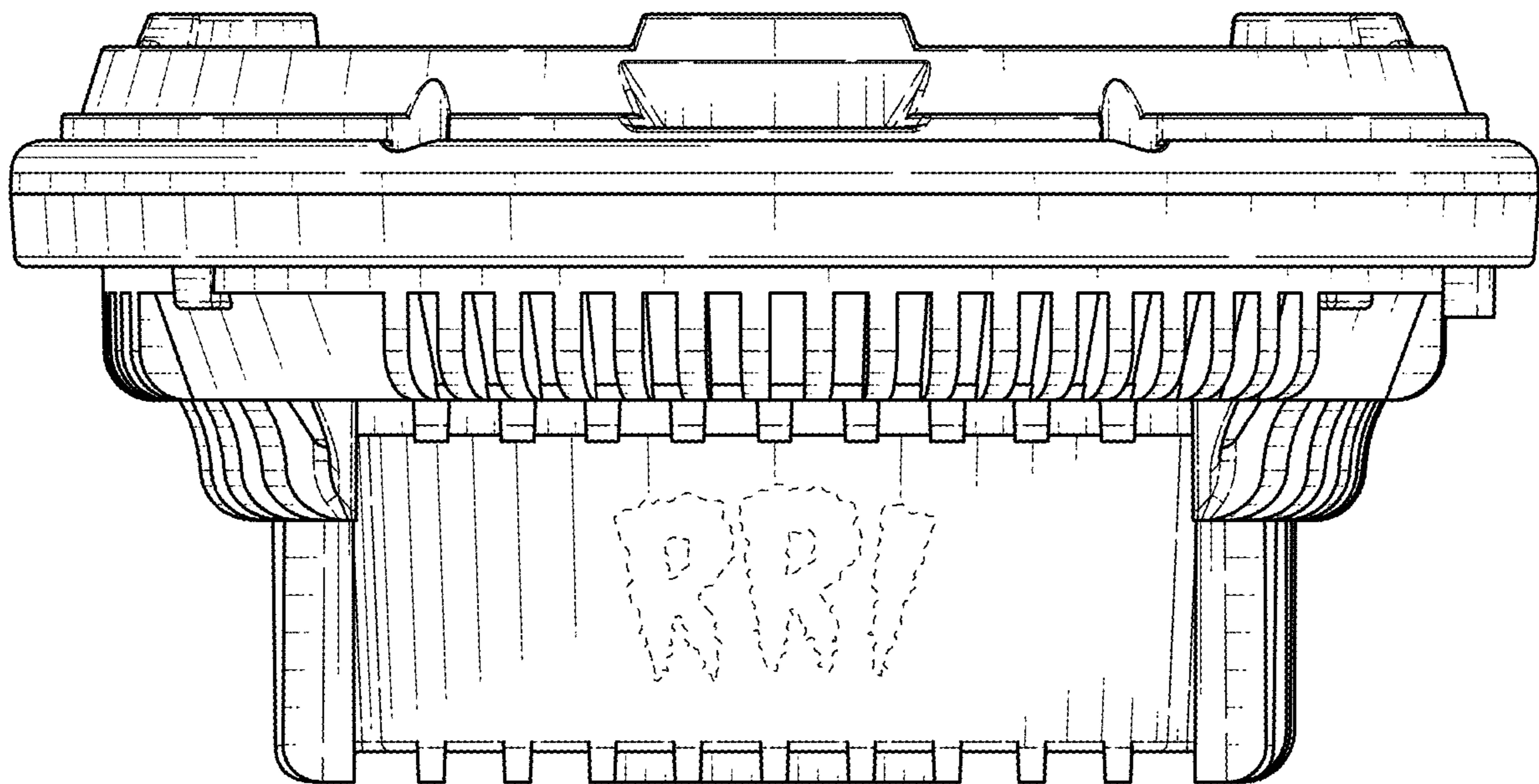


FIG. 10