



US00D935065S

(12) **United States Design Patent**  
**Zutti et al.**

(10) **Patent No.:** **US D935,065 S**  
(45) **Date of Patent:** **\*\* Nov. 2, 2021**

(54) **EXPLOSION PROOF EMERGENCY LINEAR LED LIGHTING FIXTURE**

(71) Applicant: **Appleton Grp LLC**, Rosemont, IL (US)  
(72) Inventors: **Anoop R. Zutti**, Pin (IN); **Vinayak A. Jadhav**, Karnataka (IN); **Santosh K. Patil**, Pune (IN); **Harish P. Kulkarni**, Pune (IN); **Harsha N. Devappa**, Pune (IN); **Timothy E. Graff**, Arlington Heights, IL (US); **Sumit Kumar**, Pune (IN)

(73) Assignee: **Appleton Grp LLP**, Rosemont, IL (US)

(\*\*) Term: **15 Years**

(21) Appl. No.: **29/719,445**

(22) Filed: **Jan. 3, 2020**

(51) **LOC (13) Cl.** ..... **26-03**

(52) **U.S. Cl.**  
USPC ..... **D26/24; D26/72; D26/76**

(58) **Field of Classification Search**  
USPC .... D26/3, 24-27, 37-42, 46, 50, 60-69, 72, D26/74-78, 80-86, 88, 89, 93, 104, 106,  
(Continued)

(56) **References Cited**

**U.S. PATENT DOCUMENTS**

4,435,744 A \* 3/1984 Russo ..... F21S 8/031 362/219  
D760,418 S \* 6/2016 Muchandi ..... D26/76  
(Continued)

**FOREIGN PATENT DOCUMENTS**

CN 302830944 \* 5/2014  
CN 303567480 \* 1/2016  
(Continued)

**OTHER PUBLICATIONS**

“Explosion Proof Low Profile Linear LED Light,” Aug. 15, 2013, amazon.com, site visited Mar. 3, 2021, URL: <https://www.amazon.com/Explosion-Proof-Profile-Linear-Light/dp/B00EKVSXWM> (Year: 2015).\*

(Continued)

*Primary Examiner* — Eric L Goodman  
*Assistant Examiner* — Sarah L Smith  
(74) *Attorney, Agent, or Firm* — McDonnell Boehnen Hulbert & Berghoff LLP

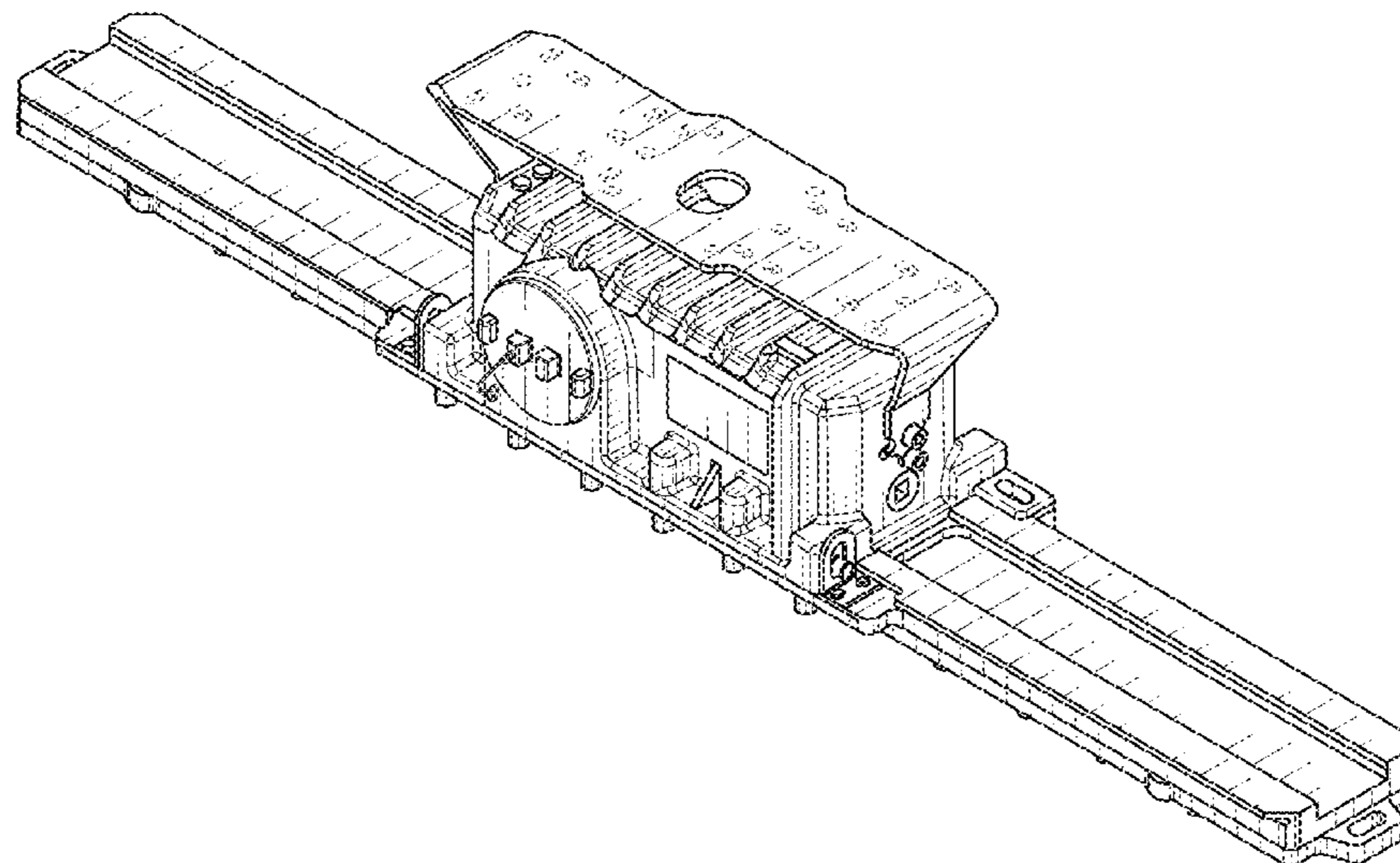
(57) **CLAIM**

The ornamental design for an explosion proof emergency linear LED lighting fixture, as shown and described.

**DESCRIPTION**

FIG. 1 is a perspective top view of an explosion proof emergency linear LED lighting fixture having the inventive design;  
FIG. 2 is a front view of the explosion proof emergency linear LED lighting fixture shown in FIG. 1;  
FIG. 3 is a rear view of the explosion proof emergency linear LED lighting fixture shown in FIG. 1;  
FIG. 4 is a left side view of the explosion proof emergency linear LED lighting fixture shown in FIG. 1;  
FIG. 5 is a right side view of the explosion proof emergency linear LED lighting fixture shown in FIG. 1;  
FIG. 6 is a top view of the explosion proof emergency linear LED lighting fixture shown in FIG. 1; and,  
FIG. 7 is a bottom view of the explosion proof emergency linear LED lighting fixture shown in FIG. 1.  
The broken line disclosure represents portions of the explosion proof emergency linear LED lighting fixture which forms no part of the claimed design.

**1 Claim, 6 Drawing Sheets**



(58) **Field of Classification Search**

USPC ..... D26/108, 109, 110, 113, 118–120,  
 D26/122–124, 130, 133–137; D13/121  
 CPC ... F21Y 2115/10; F21Y 2103/00; F21S 8/061;  
 F21S 8/043; F21S 8/06; F21S 8/026;  
 F21S 8/04; F21S 4/28; F21V 23/008;  
 F21V 29/76

See application file for complete search history.

2020/0288603 A1\* 9/2020 Patil ..... F21V 23/009  
 2020/0292142 A1\* 9/2020 Kulkarni ..... F21S 8/043  
 2020/0292153 A1\* 9/2020 Kulkarni ..... F21V 11/183

FOREIGN PATENT DOCUMENTS

CN	304659127	*	6/2018	
CN	304659128	*	6/2018	
EM	002055384-0001	*	6/2012	
EM	006648382-0001	*	10/2019	
EP	3076068 B1	*	10/2017	..... F21S 8/04

(56) **References Cited**

U.S. PATENT DOCUMENTS

D817,535	S	*	5/2018	Feng	.....	F21S 8/043
						D26/76
D818,626	S	*	5/2018	Park	.....	F21V 23/009
						D26/76
D855,862	S	*	8/2019	Verfuert	.....	F21V 7/0083
						D26/76
D865,258	S	*	10/2019	Honda	.....	F21S 8/02
						D26/76
D872,338	S	*	1/2020	Deng	.....	D26/76
D872,923	S	*	1/2020	Deng	.....	D26/76
11,112,074	B2	*	9/2021	Kulkarni	.....	F21S 8/061
2015/0330595	A1	*	11/2015	Grigore	.....	F21S 8/02
						362/218
2016/0356475	A1	*	12/2016	Honda	.....	F21K 9/27
2017/0097152	A1	*	4/2017	Scribante	.....	F21V 7/0083
2019/0277464	A1	*	9/2019	Won	.....	G02B 6/0088

OTHER PUBLICATIONS

“NJZ Lighting Launches UL844-Class I,” Mar. 31, 2017, ledsmagazine.com, site visited Nov. 20, 2020, URL: <https://www.ledsmagazine.com/directory/press-release/14057151/njz-lighting-technology-co-ltd-njz-lighting-launches-ul844class-i-div-2-ranger-series-hazloc-led-luminaires> (Year: 2017).\*

“Dialight Safesite Linear LED Explosion Proof Light,” Oct. 10, 2018, amazon.com, site visited Mar. 3, 2021, URL: <https://www.amazon.com/Dialight-Safesite-Linear-Explosion-lumens/dp/B07JBBTSGF> (Year: 2018).\*

“Intrinsically Safe LED Lighting Horner Linear,” Feb. 22, 2019, youtube.com, site visited Mar. 12, 2021, URL: <https://www.youtube.com/watch?v=c9GZhOatHfc> (Year: 2019).\*

“Intrinsically Safe LED Lighting Horner High Bay Series,” Feb. 26, 2019, youtube.com, site visited Mar. 12, 2021, URL: <https://www.youtube.com/watch?v=njJhvF08Wh0> (Year: 2019).\*

\* cited by examiner

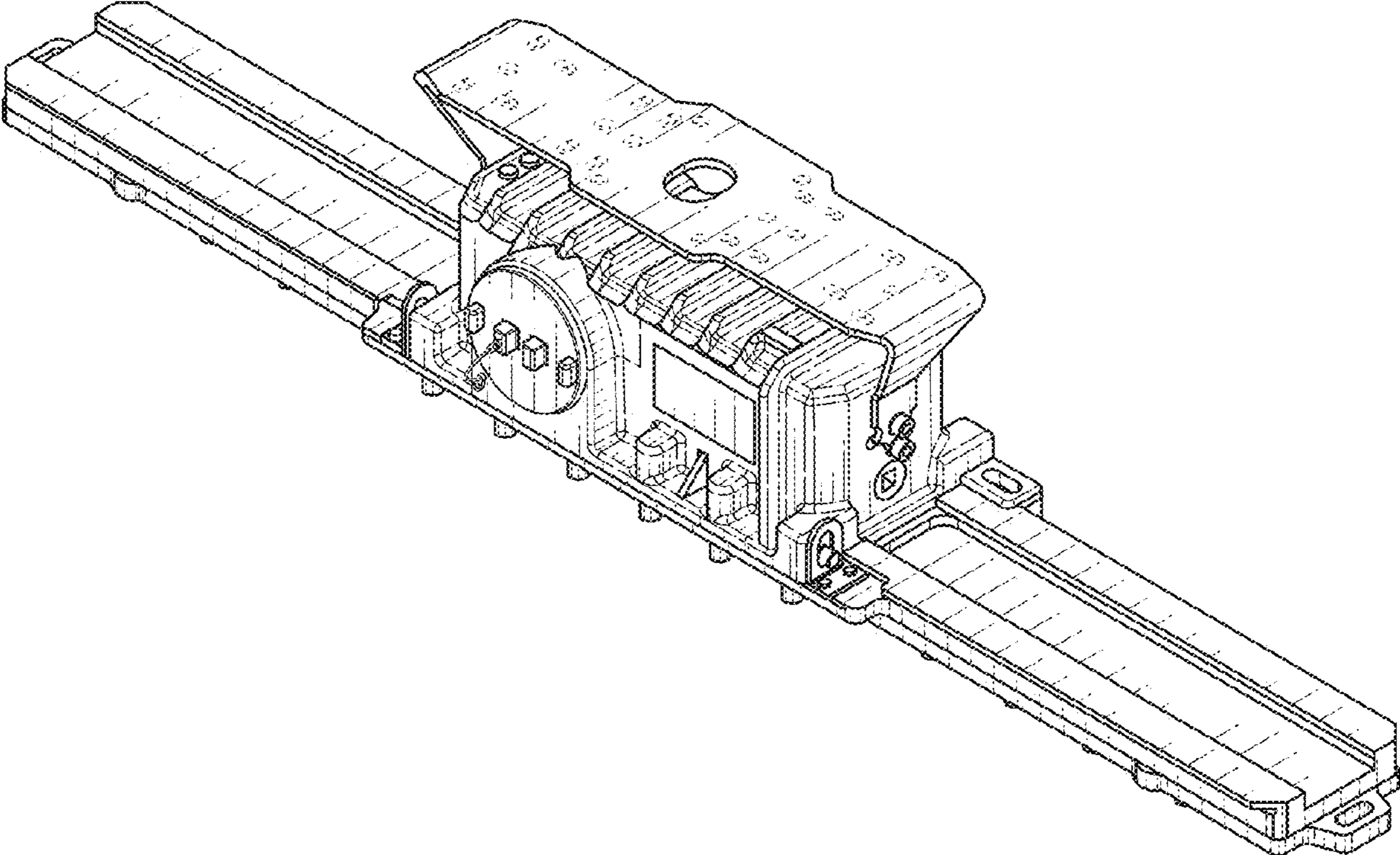


FIG. 1

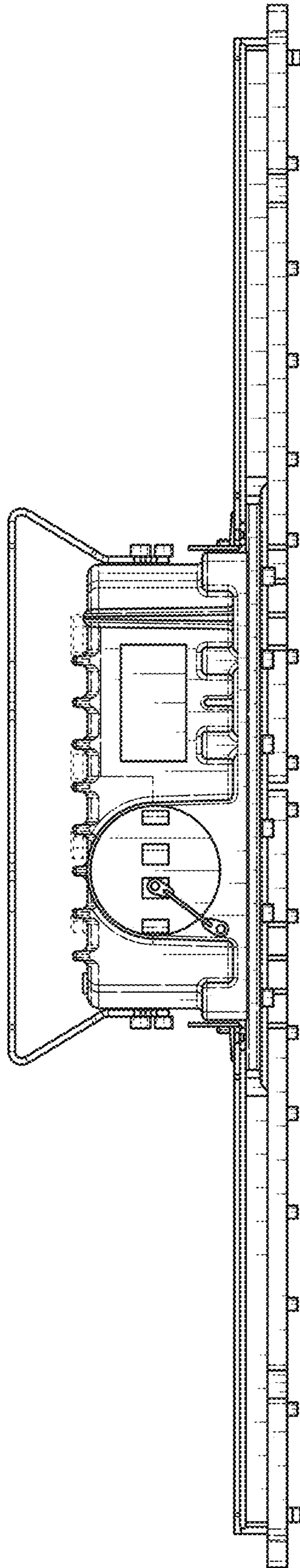


FIG. 2

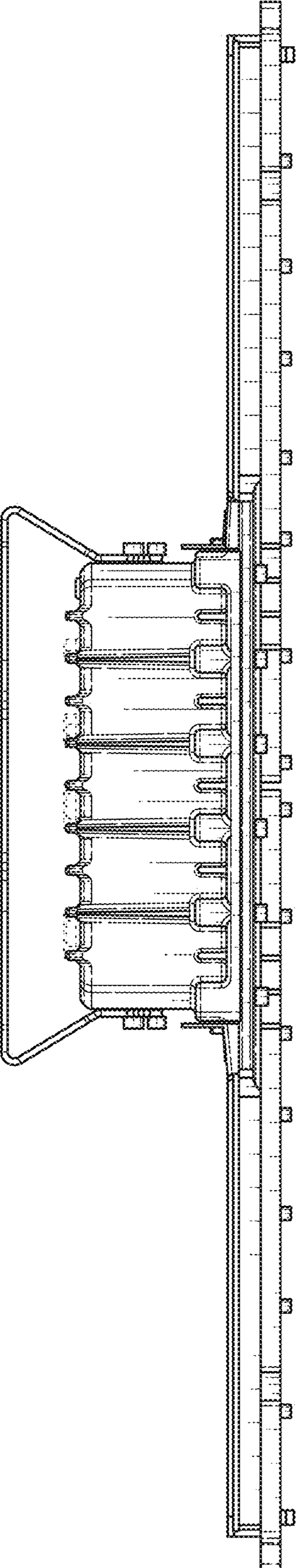


FIG. 3

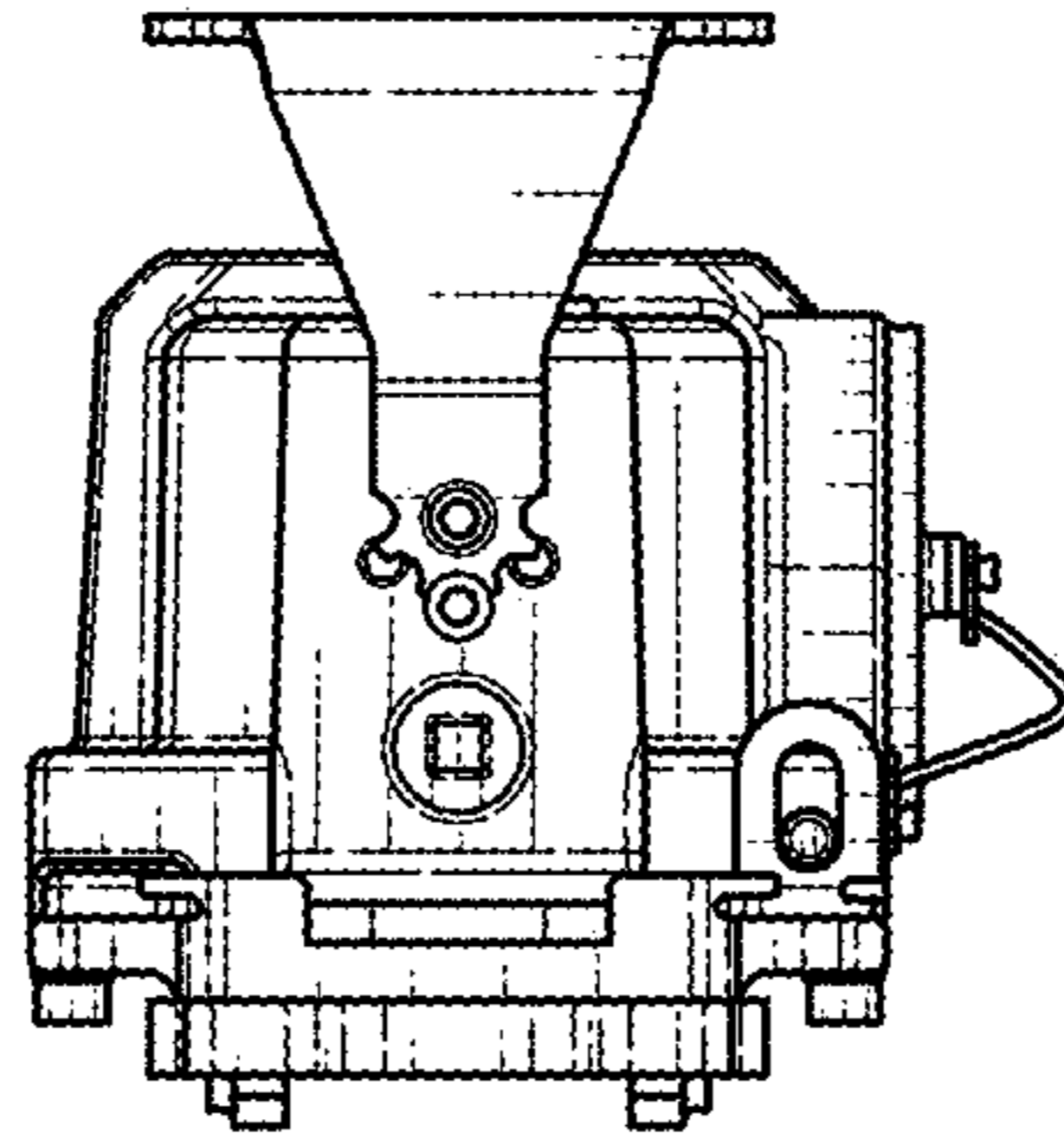


FIG. 4

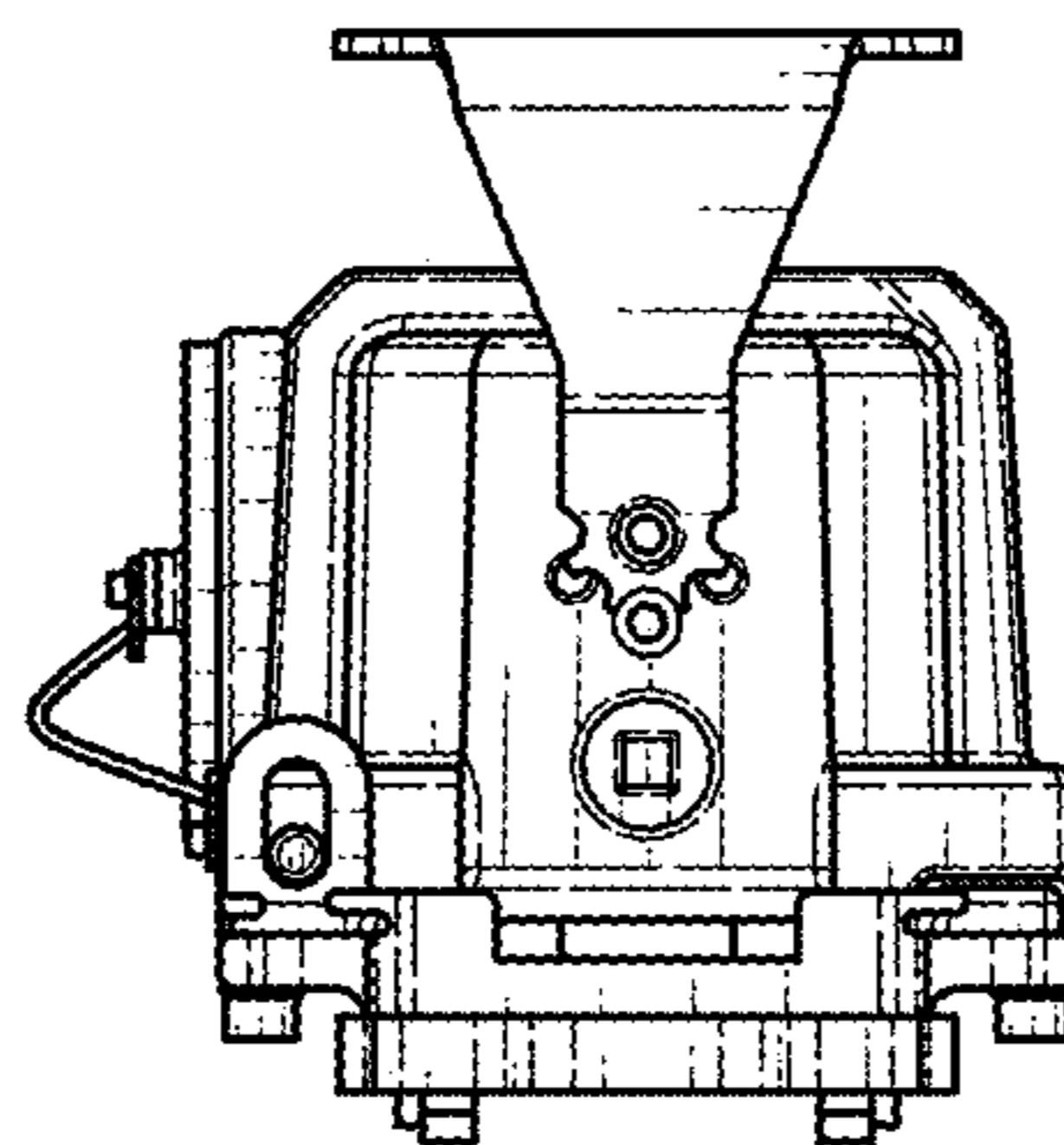


FIG. 5

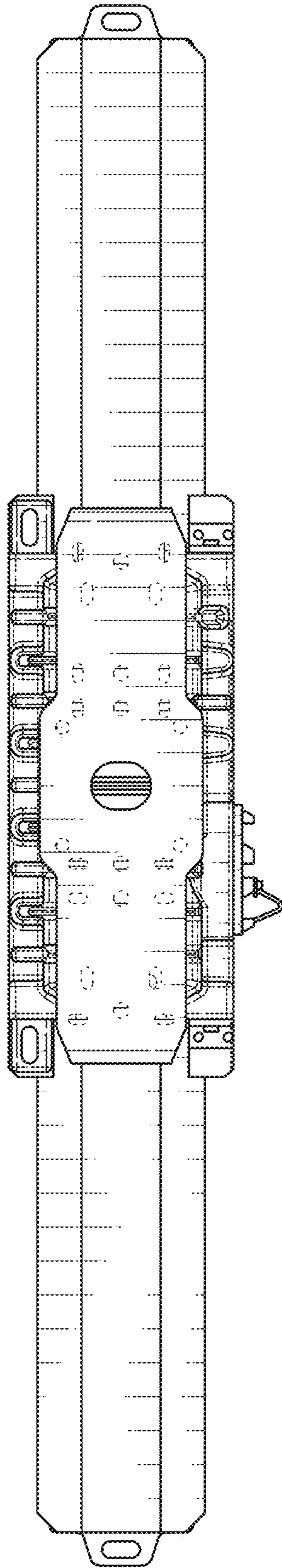


FIG. 6

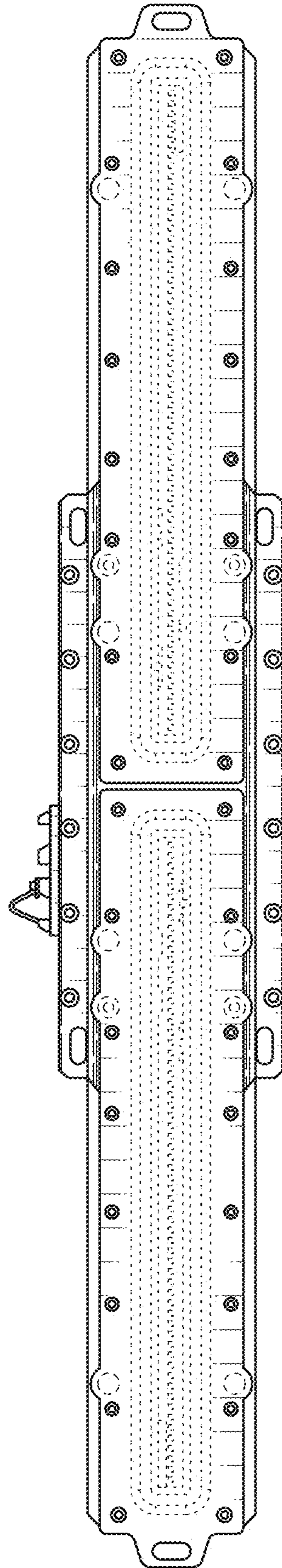


FIG. 7