



US00D935062S

(12) **United States Design Patent**  
**Schrenk**

(10) **Patent No.:** **US D935,062 S**

(45) **Date of Patent:** **\*\* Nov. 2, 2021**

(54) **PORTABLE LED LIGHTING UNIT**

(71) Applicant: **Ape Labs GmbH**, Eisingen (DE)

(72) Inventor: **Julius Schrenk**, Eisingen (DE)

(73) Assignee: **APE LABS GMBH**, Eisingen (DE)

(\*\*) Term: **15 Years**

(21) Appl. No.: **29/702,001**

(22) Filed: **Aug. 15, 2019**

(51) **LOC (13) Cl.** ..... **26-04**

(52) **U.S. Cl.**  
USPC ..... **D26/1**

(58) **Field of Classification Search**  
USPC ..... D26/1-11  
CPC ..... H01R 5/00; H01R 13/46; H01R 13/514;  
H01R 31/02; H01R 31/048; H01J 5/00;  
H01J 5/16; H01J 1/02; H01J 15/00; H01J  
5/48; H01J 5/50; H01J 19/54; F21V 5/00;  
F21K 9/00; F21K 13/00

See application file for complete search history.

(56) **References Cited**

**U.S. PATENT DOCUMENTS**

D508,291 S \* 8/2005 Janssen ..... D26/1  
D765,889 S \* 9/2016 Largent ..... D26/1

D786,459 S \* 5/2017 Barnetson ..... D26/1  
D838,007 S \* 1/2019 Chen ..... D26/1  
D889,695 S \* 7/2020 Chen ..... D26/1

\* cited by examiner

*Primary Examiner* — Marcus A Jackson

(74) *Attorney, Agent, or Firm* — Fredrikson & Byron,  
P.A.

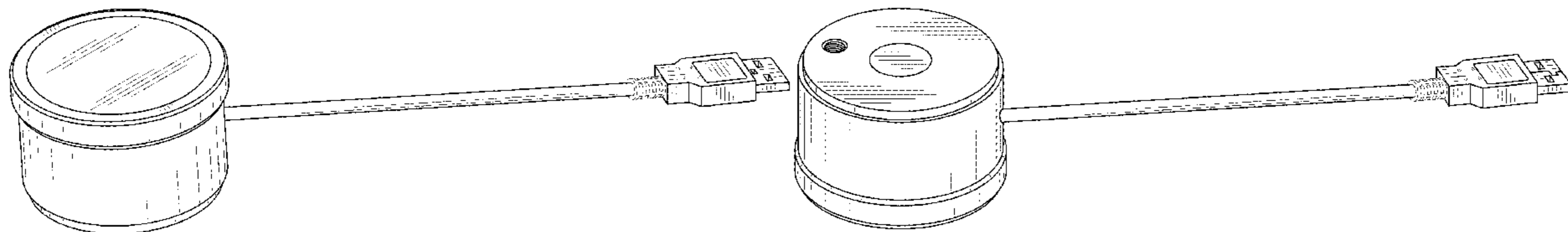
(57) **CLAIM**

The ornamental design for portable LED lighting unit, as shown and described.

**DESCRIPTION**

FIG. 1 is a perspective view of an embodiment of the portable LED lighting unit showing the design; FIG. 2 is a first side view of the device illustrated in FIG. 1; FIG. 3 is a second side view thereof; FIG. 4 is a front view thereof; FIG. 5 is a back view thereof; FIG. 6 is a top view thereof; FIG. 7 is a bottom view thereof; FIG. 8 is a second top view thereof; and, FIG. 9 is a perspective back view thereof. Any broken lines shown in the drawings form no part of the claimed design.

**1 Claim, 6 Drawing Sheets**



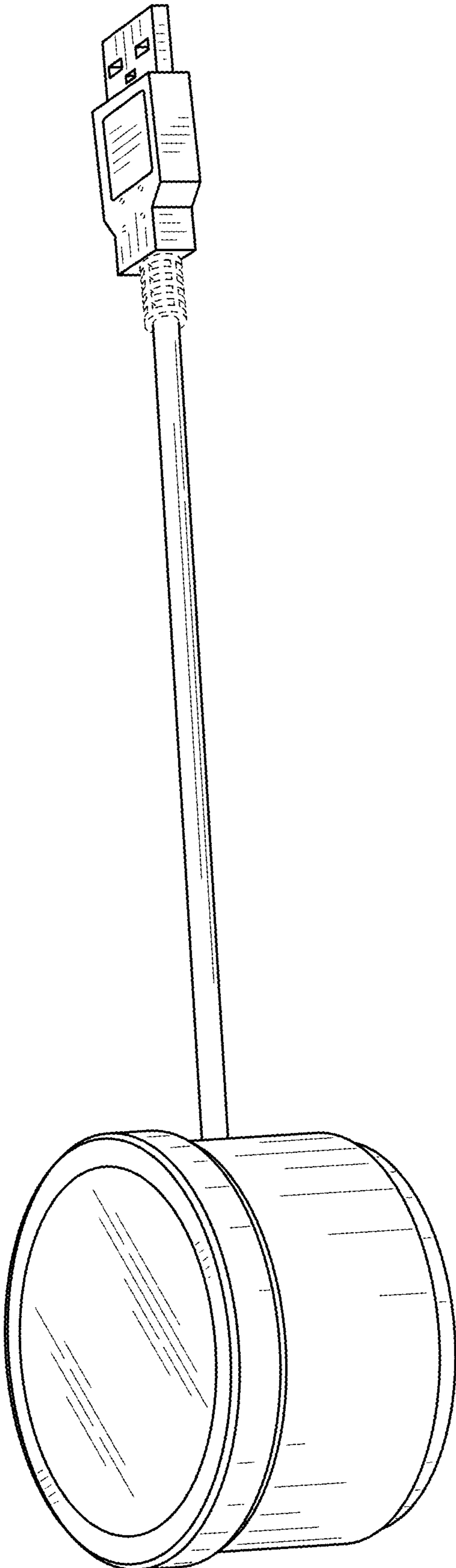


FIG. 1

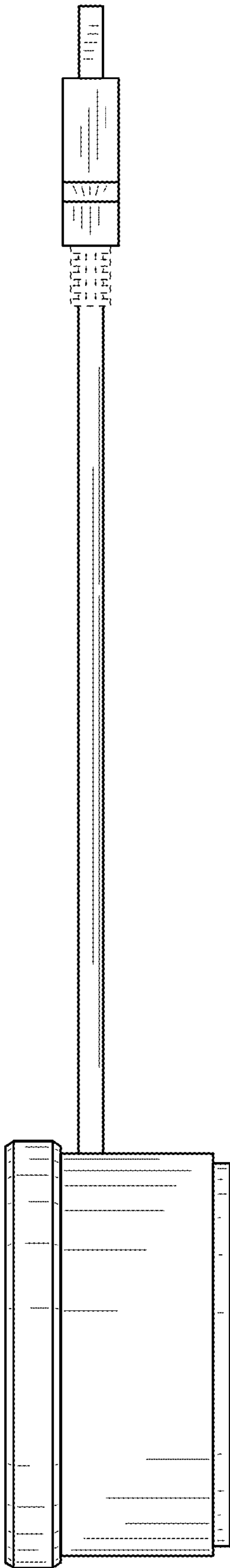


FIG. 2

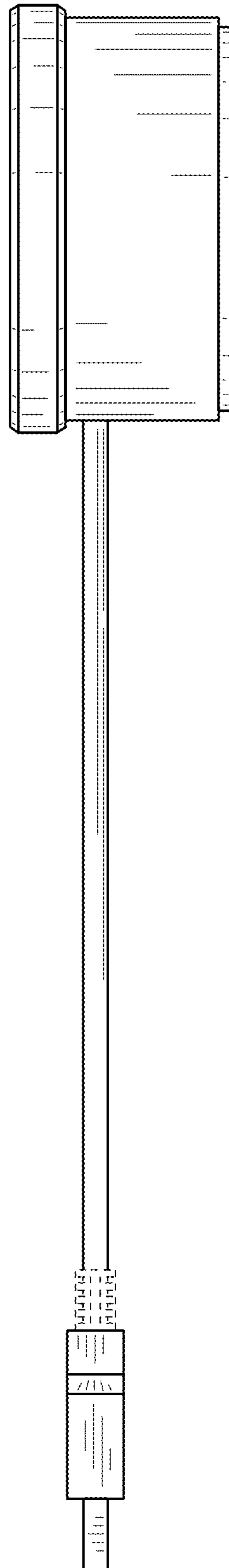


FIG. 3

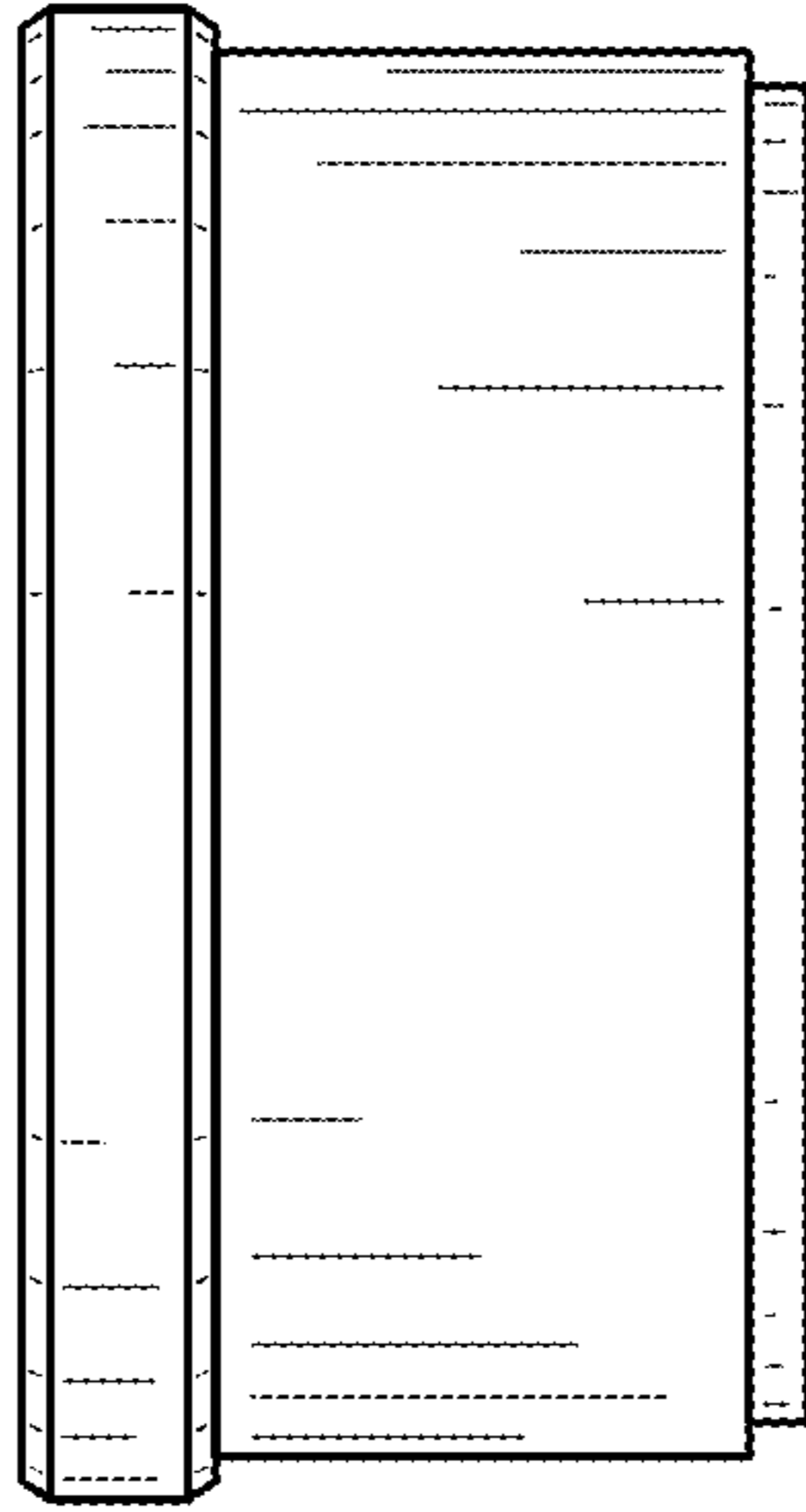


FIG. 5

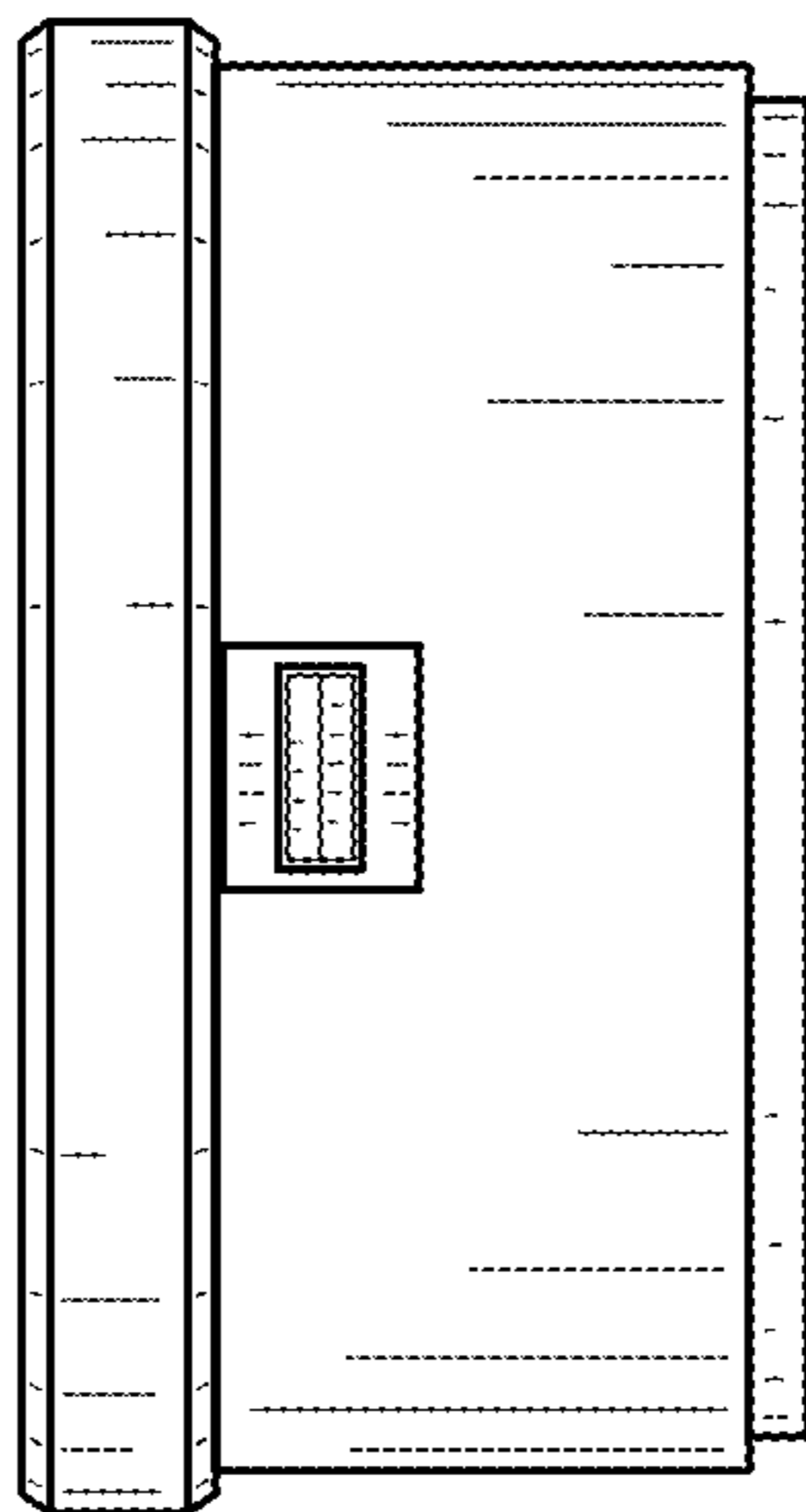


FIG. 4

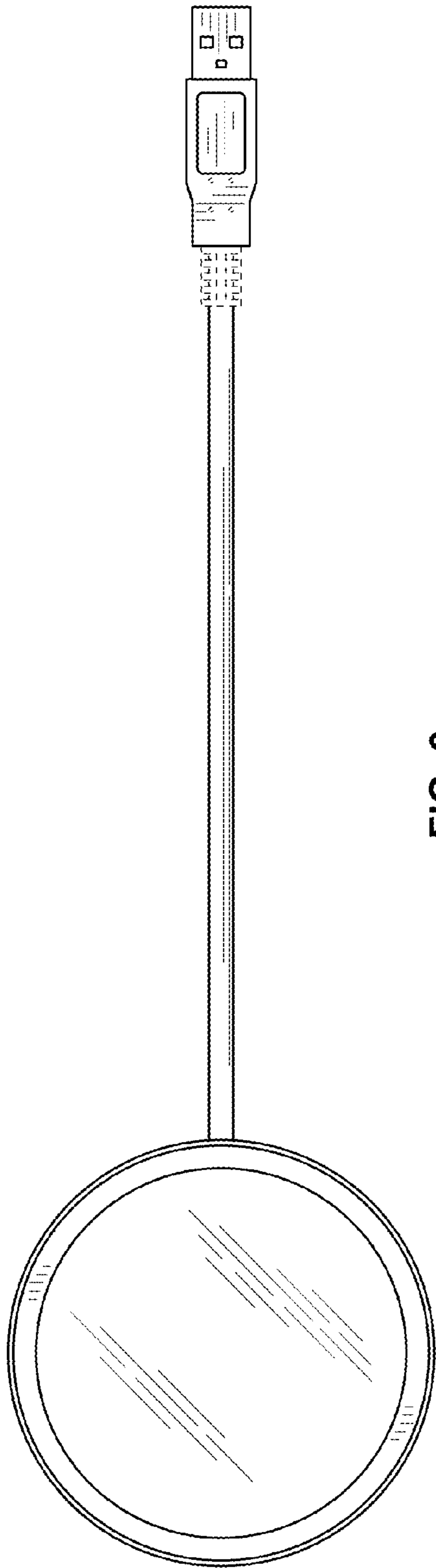


FIG. 6

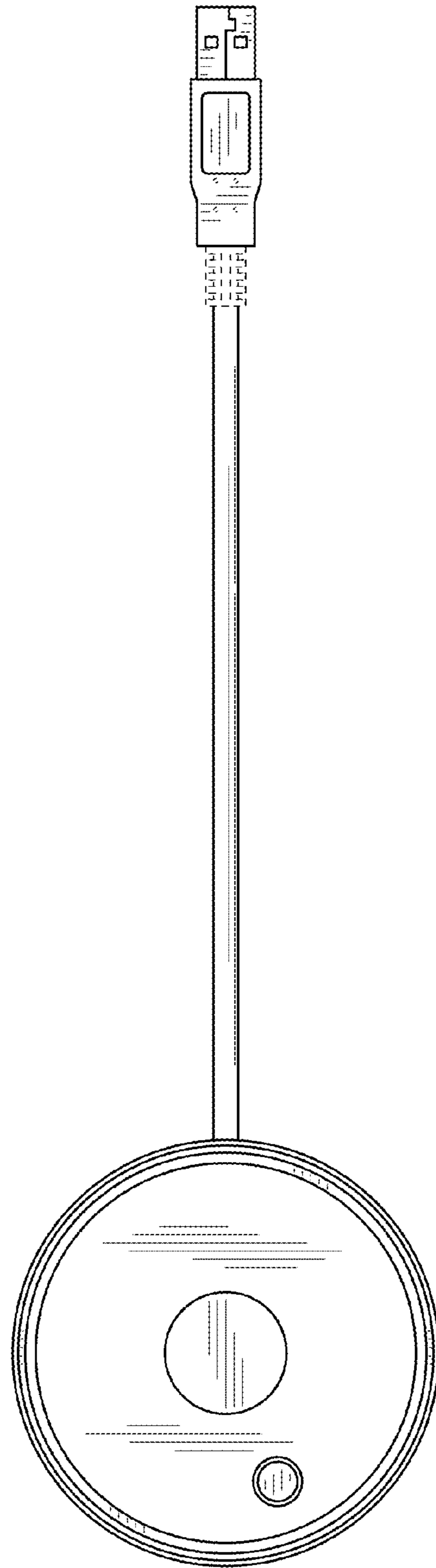


FIG. 7

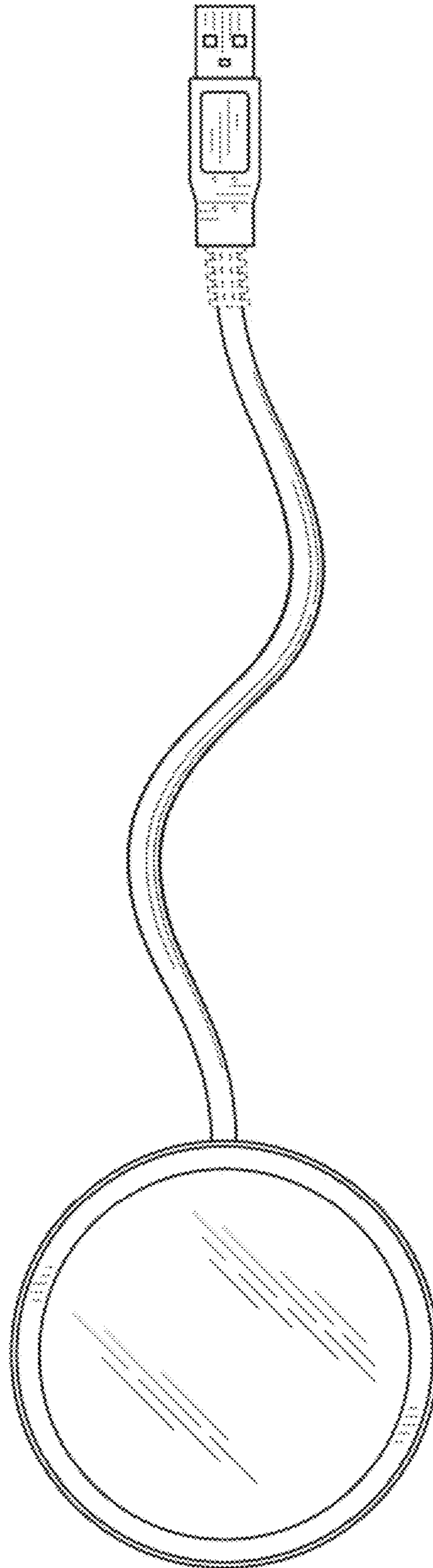


FIG. 8

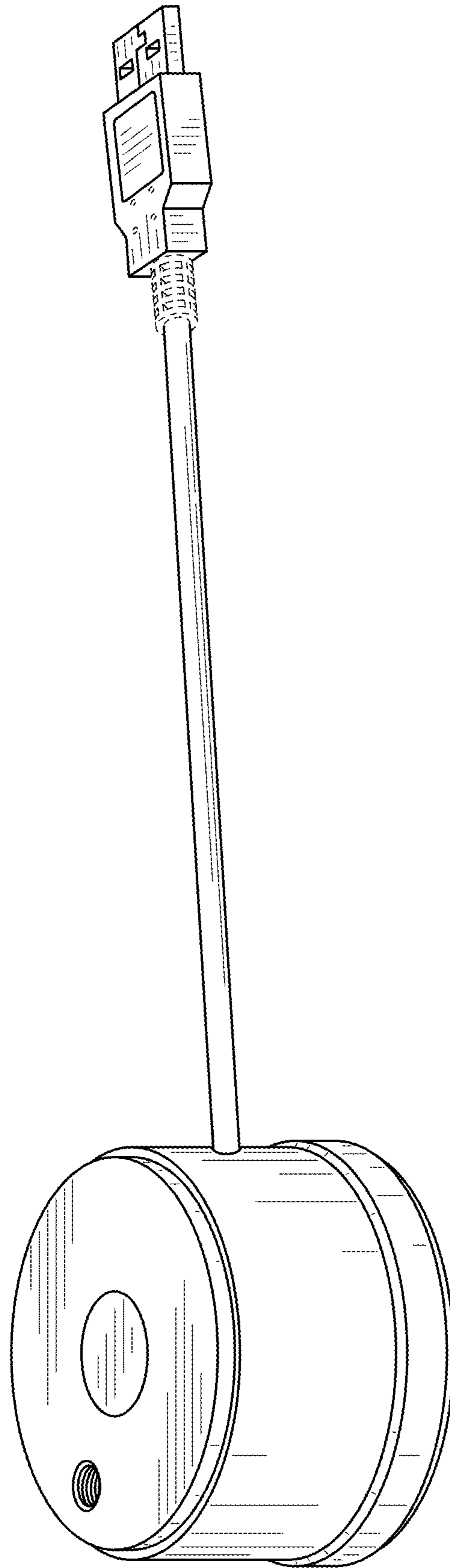


FIG. 9