



US00D935060S

(12) **United States Design Patent**  
**Bilge**

(10) **Patent No.:** **US D935,060 S**

(45) **Date of Patent:** **\*\* Nov. 2, 2021**

(54) **SLIDER TRACK FOR MOUNTING WALL  
PANELS ONTO AN EXISTING WALL**

(71) Applicant: **Henry H. Bilge**, Fort Lee, NJ (US)

(72) Inventor: **Henry H. Bilge**, Fort Lee, NJ (US)

(\*\*) Term: **15 Years**

(21) Appl. No.: **29/741,011**

(22) Filed: **Jul. 9, 2020**

(51) **LOC (13) Cl.** ..... **25-01**

(52) **U.S. Cl.**  
USPC ..... **D25/121**

(58) **Field of Classification Search**  
USPC ..... D25/119–125; D8/377, 382  
CPC ..... B29C 48/0016; B29C 48/07; B29C 48/09;  
B29C 48/12; B29C 48/19; B29C 35/06;  
G09F 13/0413; G09F 15/0012; G09F  
15/0018; G09F 7/18; B60J 10/80  
See application file for complete search history.

(56) **References Cited**

**U.S. PATENT DOCUMENTS**

D194,585 S \* 2/1963 Waring ..... D25/121  
D847,381 S \* 4/2019 Ksiezopolski ..... D25/119

10,253,507 B1 \* 4/2019 Bilge ..... E04F 13/0807  
10,260,240 B1 \* 4/2019 Bilge ..... E04F 13/0828  
D851,786 S \* 6/2019 Ksiezopolski ..... D25/119  
D853,587 S \* 7/2019 Jackson ..... D25/119  
D872,883 S \* 1/2020 Bilge ..... D25/119

\* cited by examiner

*Primary Examiner* — Gino Colan

(74) *Attorney, Agent, or Firm* — Joshua Kaplan; Kaplan  
Law Practice LLC

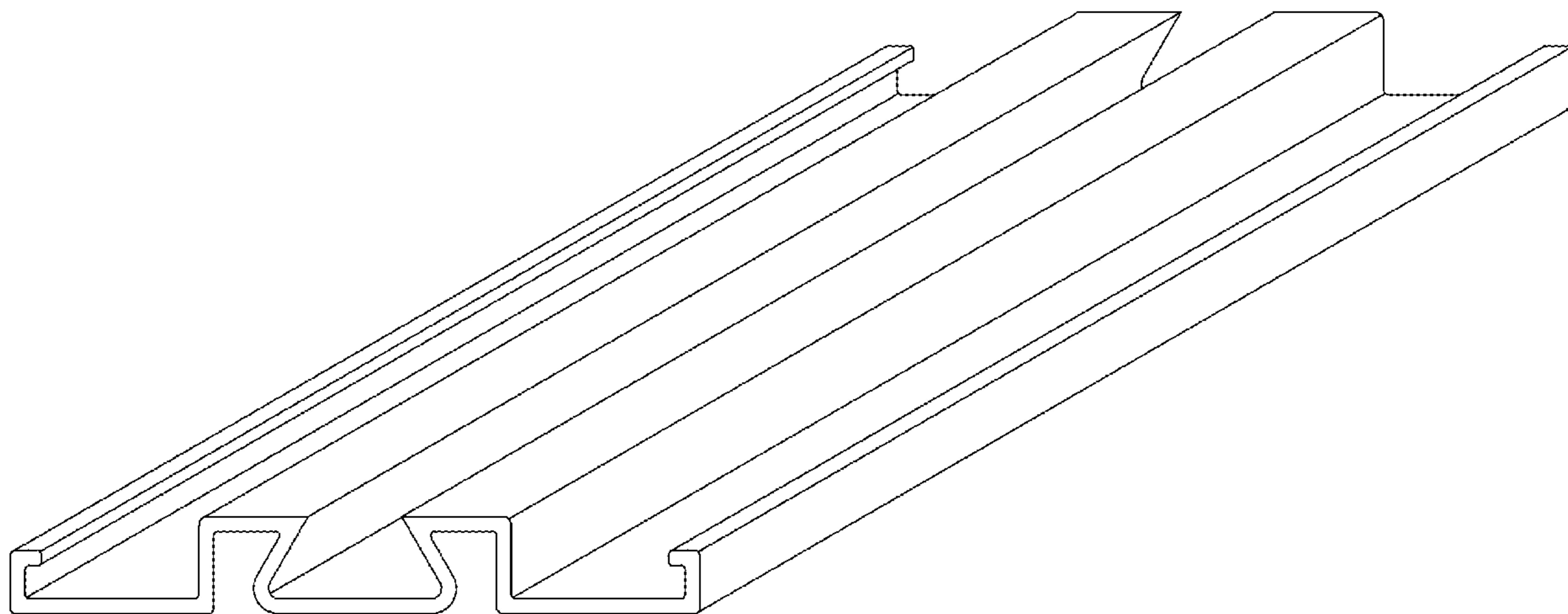
(57) **CLAIM**

I claim the ornamental design for a slider track for mounting  
wall panels onto an existing wall, as shown and described.

**DESCRIPTION**

FIG. 1 is a perspective view of the slider track for mounting  
wall panels onto an existing wall, showing front, left and  
bottom sides in accordance with the present design;  
FIG. 2 is a left elevational view thereof;  
FIG. 3 is a bottom plan view thereof;  
FIG. 4 is a top plan view thereof;  
FIG. 5 is a front elevational view thereof;  
FIG. 6 is a back elevational view thereof; and,  
FIG. 7 is a right elevational view thereof.

**1 Claim, 7 Drawing Sheets**



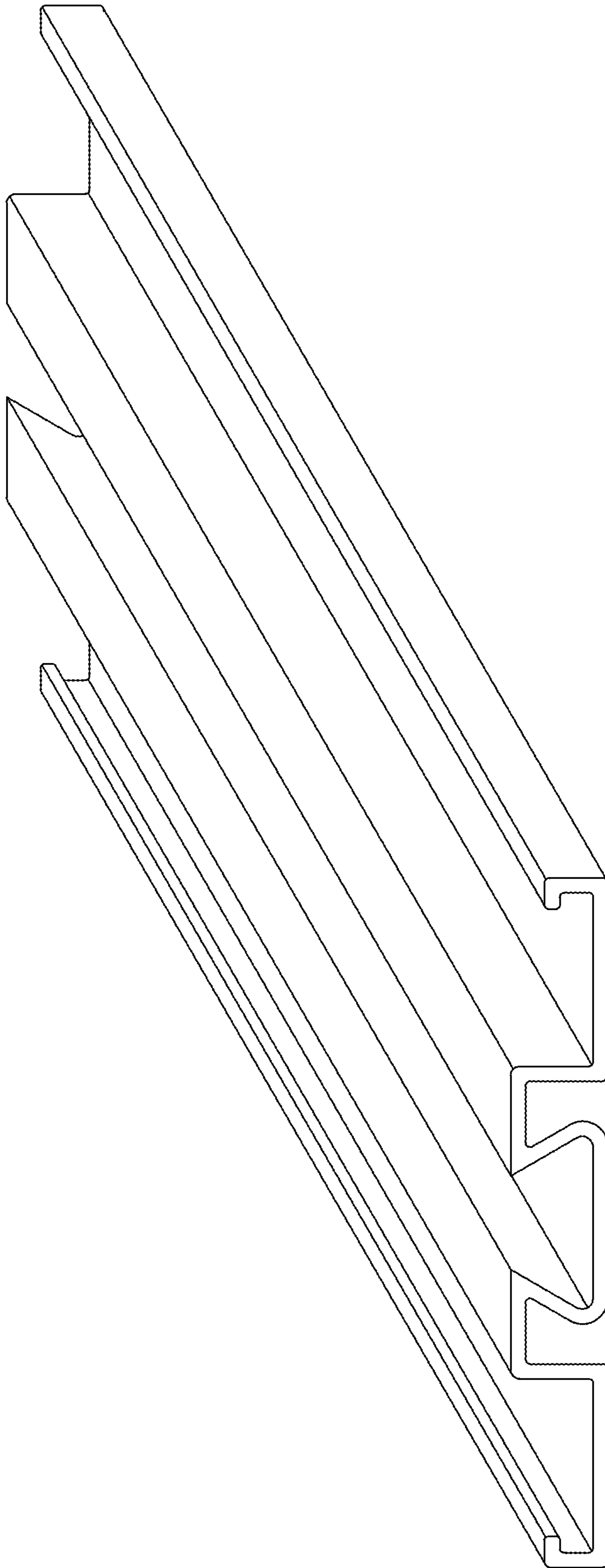


FIG.1

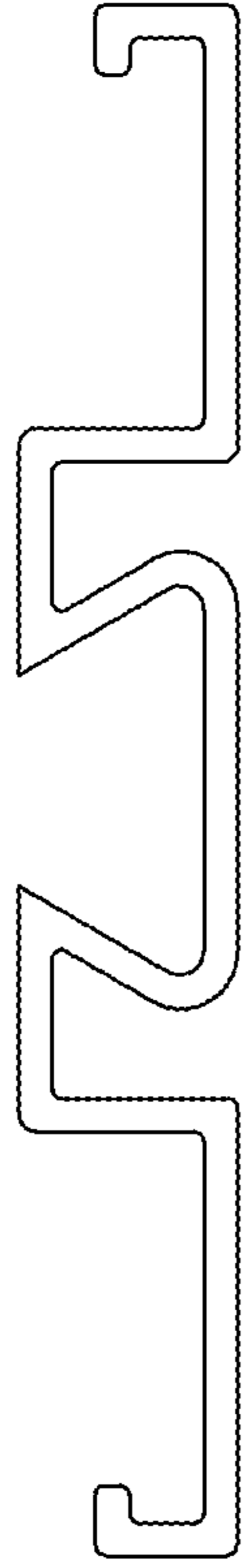


FIG. 2



FIG. 3

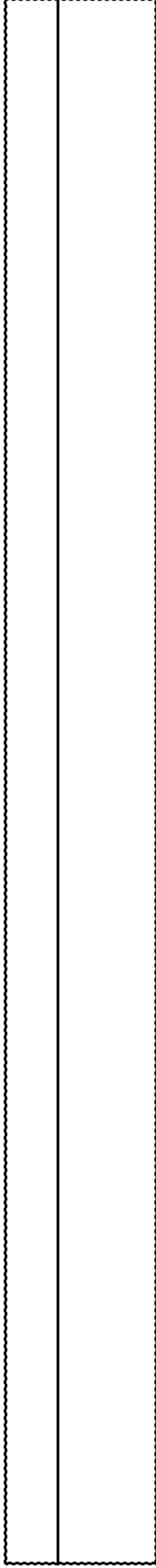


FIG.4

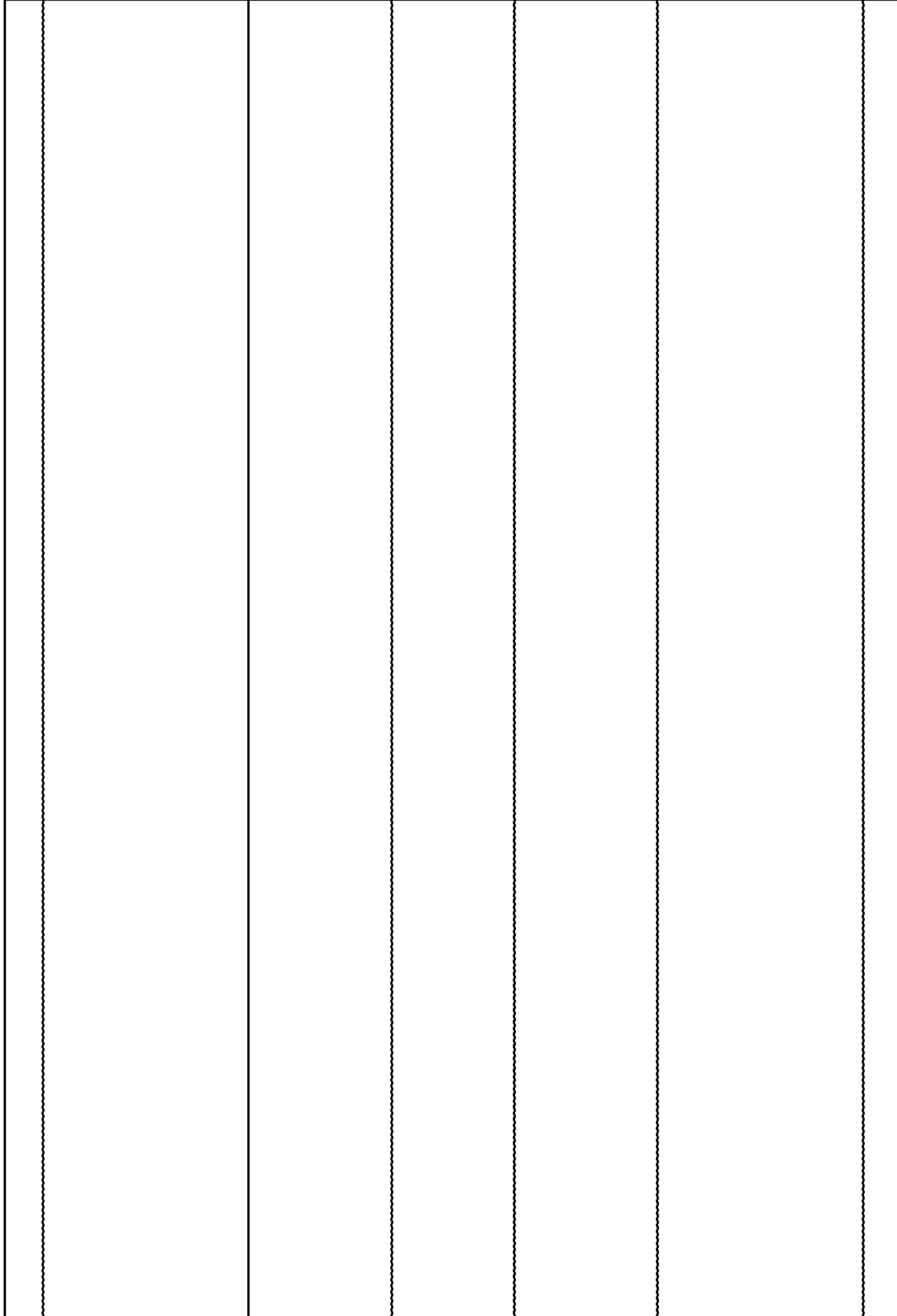


FIG. 5

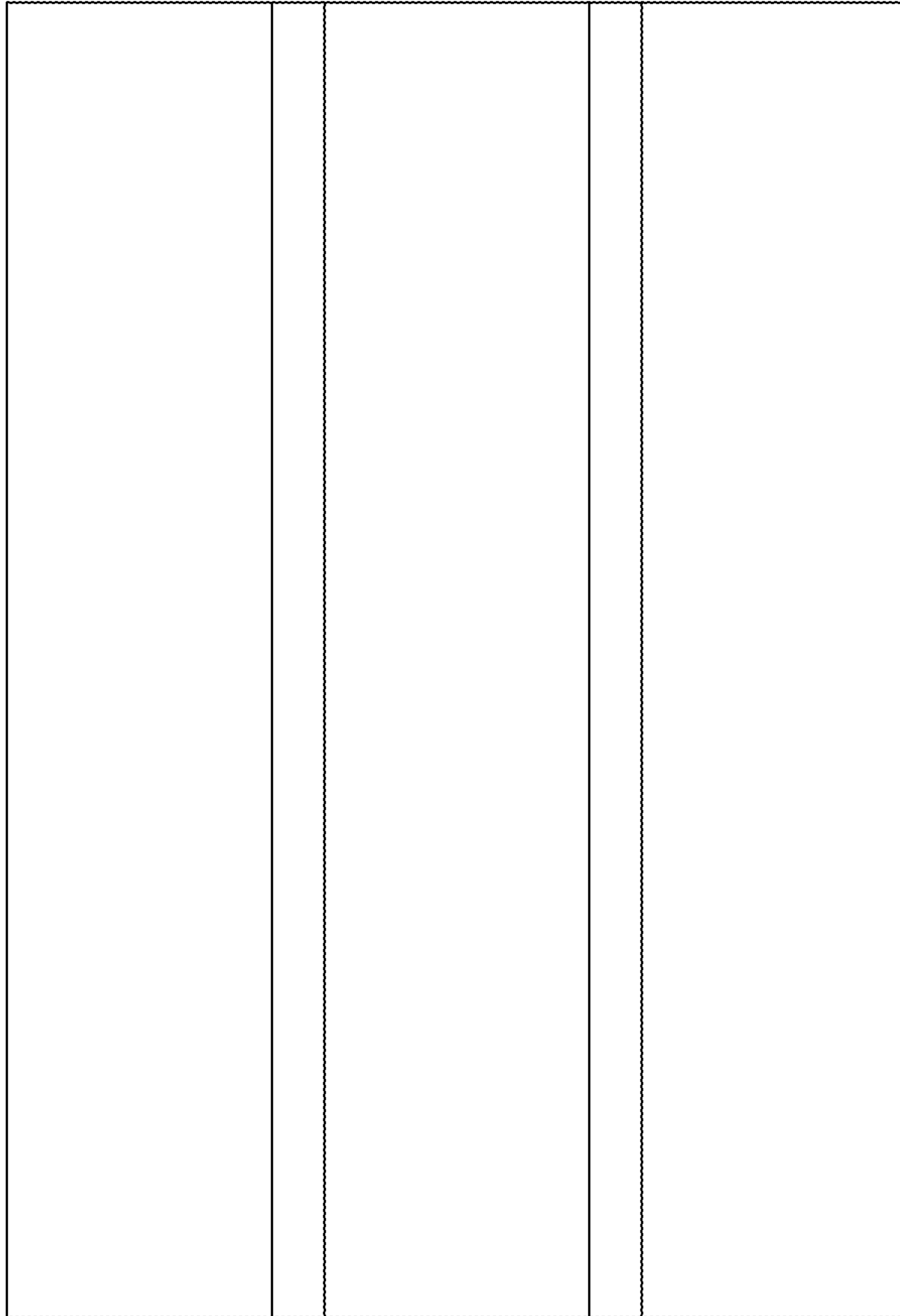


FIG. 6

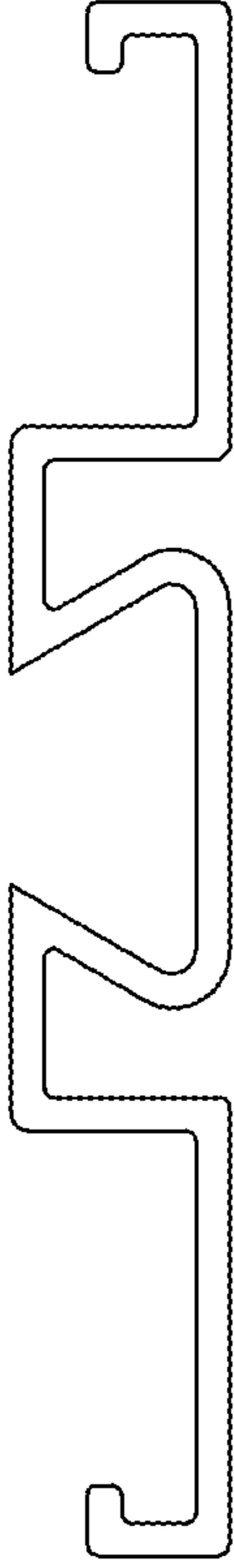


FIG. 7