



US00D935057S

(12) **United States Design Patent**
Bilge

(10) **Patent No.:** **US D935,057 S**

(45) **Date of Patent:** **** Nov. 2, 2021**

(54) **ADJUSTABLE PERIMETER SLIDER TRACK FOR MOUNTING WALL PANELS ONTO AN EXISTING WALL**

10,260,240 B1 * 4/2019 Bilge E04F 13/0828
D851,786 S * 6/2019 Ksiezopolski D25/119
D853,587 S * 7/2019 Jackson D25/119
D872,883 S * 1/2020 Bilge D25/119

(71) Applicant: **Henry H. Bilge**, Fort Lee, NJ (US)

* cited by examiner

(72) Inventor: **Henry H. Bilge**, Fort Lee, NJ (US)

Primary Examiner — Gino Colan

(**) Term: **15 Years**

(74) *Attorney, Agent, or Firm* — Joshua Kaplan; Kaplan Law Practice LLC

(21) Appl. No.: **29/741,010**

(57) **CLAIM**

(22) Filed: **Jul. 9, 2020**

I claim the ornamental design for an adjustable perimeter slider track for mounting wall panels onto an existing wall, as shown and described.

(51) **LOC (13) Cl.** **25-01**

(52) **U.S. Cl.**
USPC **D25/119**

DESCRIPTION

(58) **Field of Classification Search**
USPC D25/119–125; D8/377, 382
CPC B29C 48/0016; B29C 48/07; B29C 48/09;
B29C 48/12; B29C 48/19; B29C 35/06;
G09F 13/0413; G09F 15/0012; G09F
15/0018; G09F 7/18; B60J 10/80
See application file for complete search history.

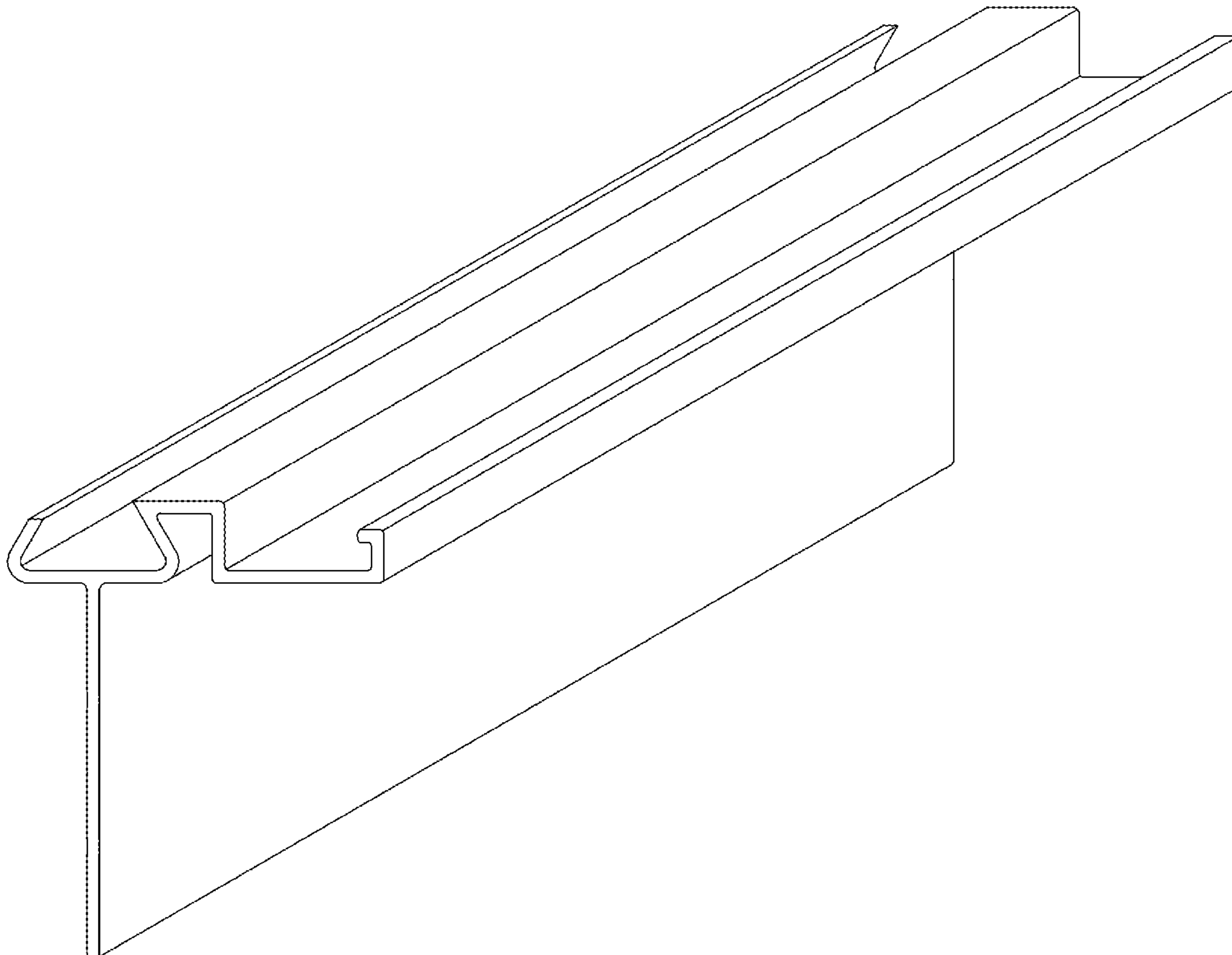
FIG. 1 is a perspective view of the adjustable perimeter slider track for mounting wall panels onto an existing wall, showing front, left and bottom sides in accordance with the present design;
FIG. 2 is a perspective view showing right, front and top view thereof;
FIG. 3 is a left side elevational view thereof with the right side elevational view being a mirror image thereof;
FIG. 4 is a bottom plan view thereof;
FIG. 5 is a top plan view thereof;
FIG. 6 is a front elevational view thereof; and,
FIG. 7 is a back elevational view thereof.

(56) **References Cited**

U.S. PATENT DOCUMENTS

D194,585 S * 2/1963 Waring D25/121
D847,381 S * 4/2019 Ksiezopolski D25/119
10,253,507 B1 * 4/2019 Bilge E04F 13/0807

1 Claim, 7 Drawing Sheets



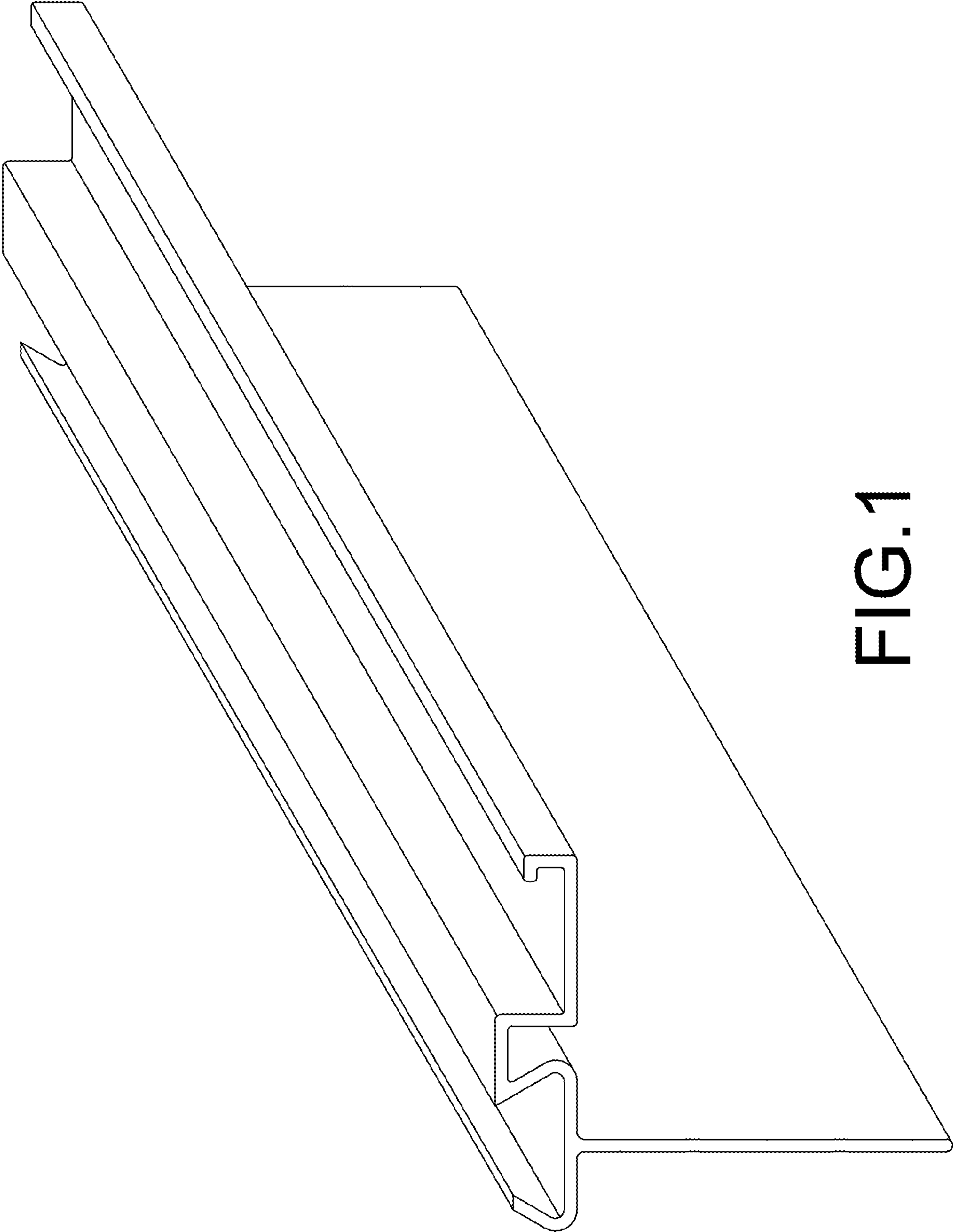


FIG. 1

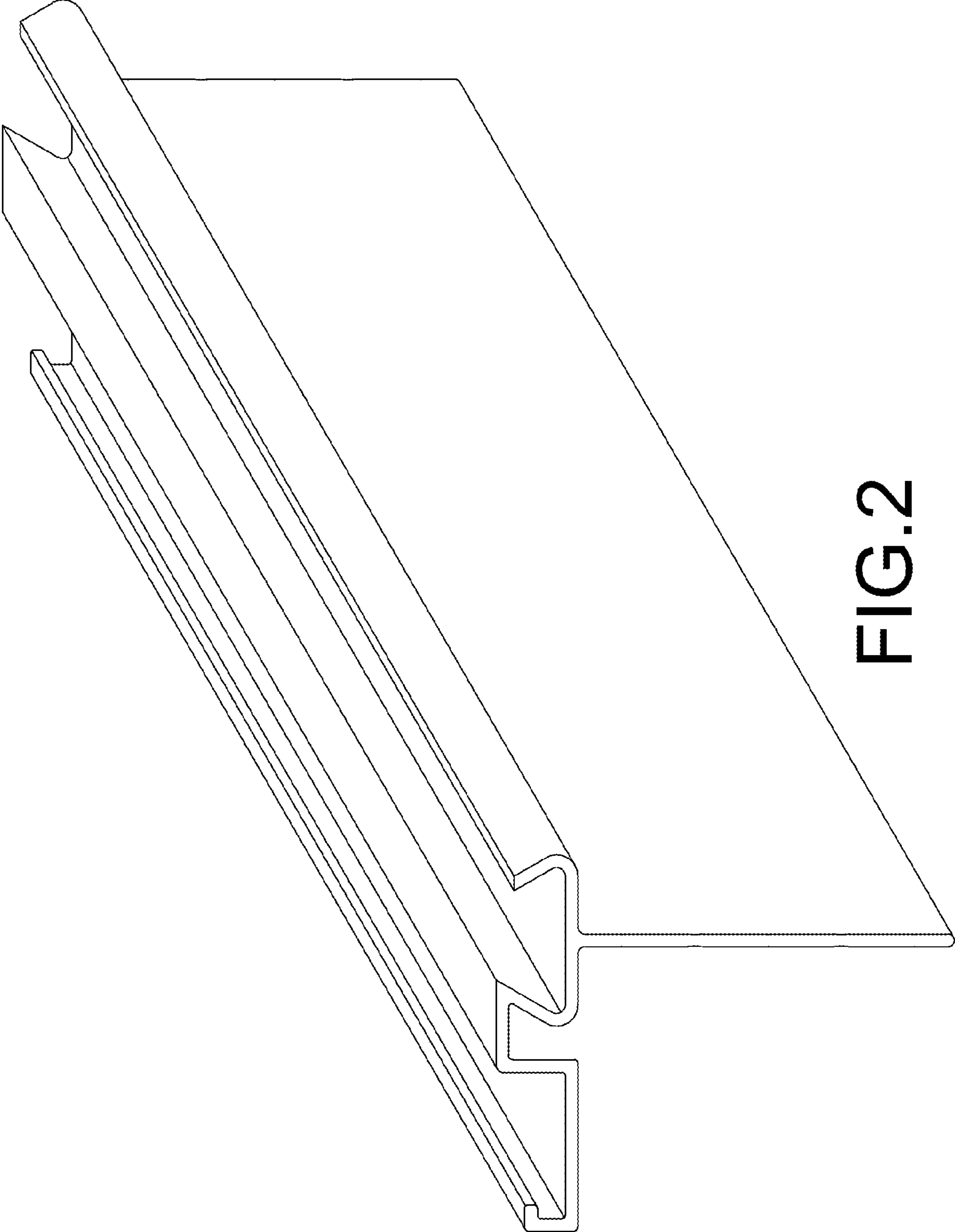


FIG.2

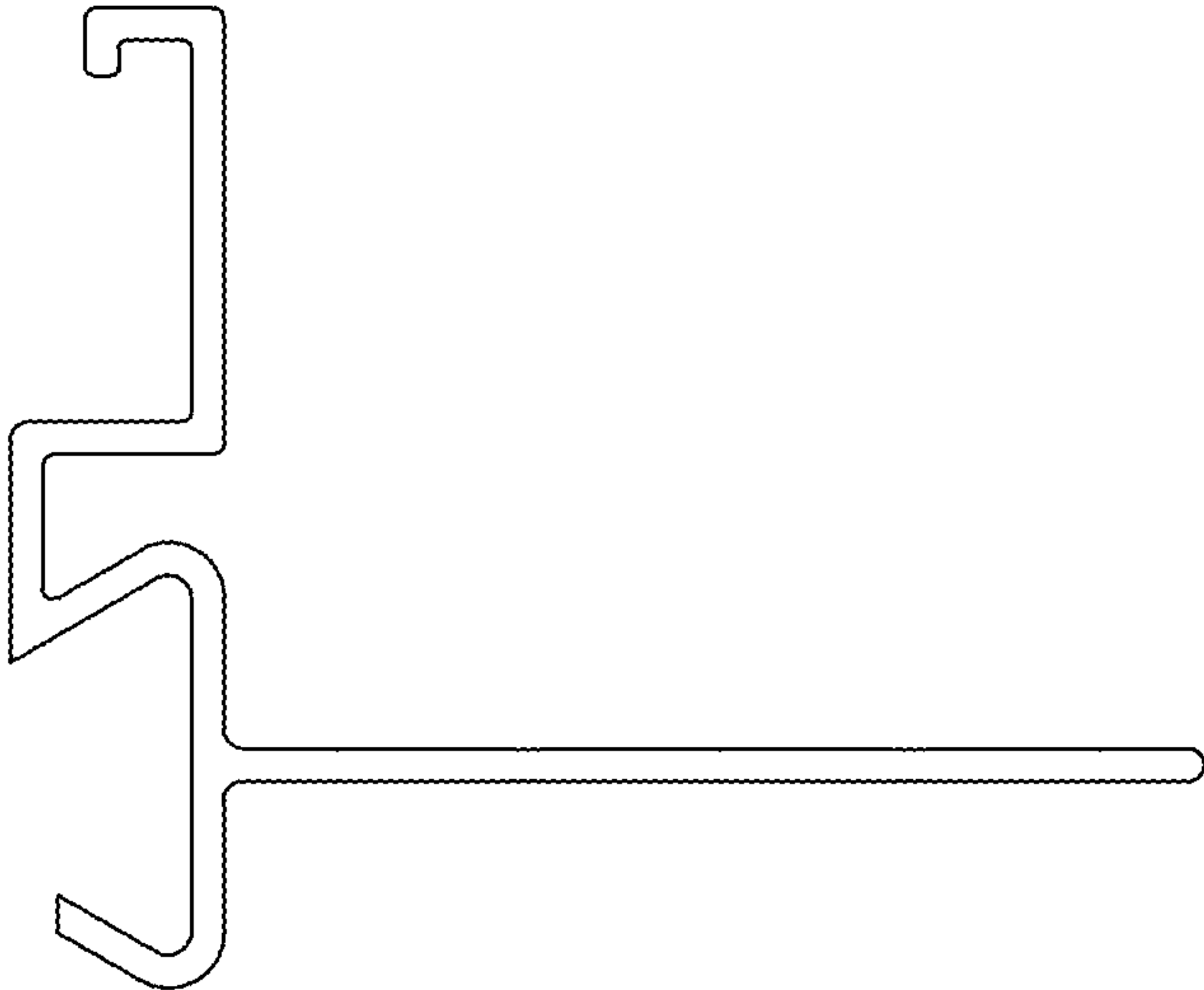


FIG. 3

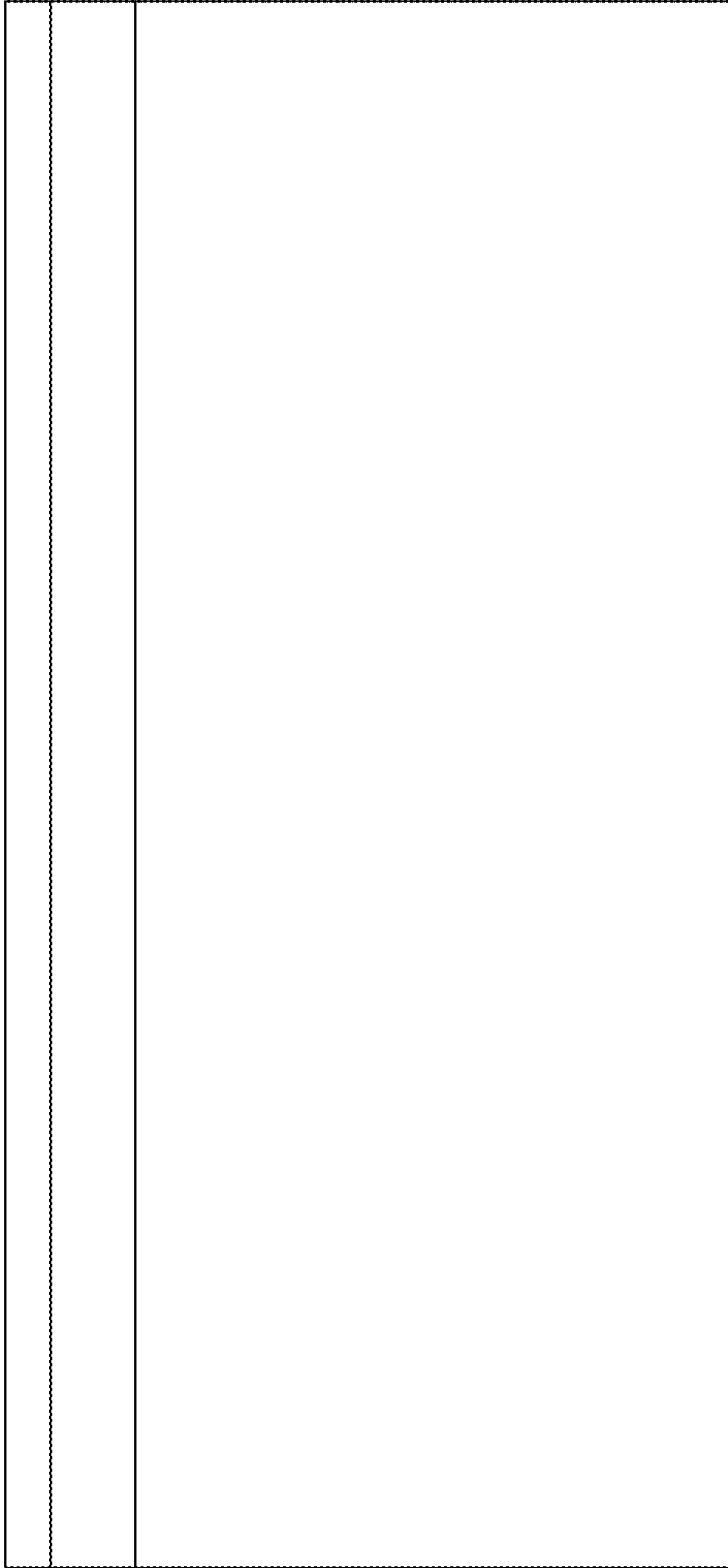


FIG.4



FIG. 5

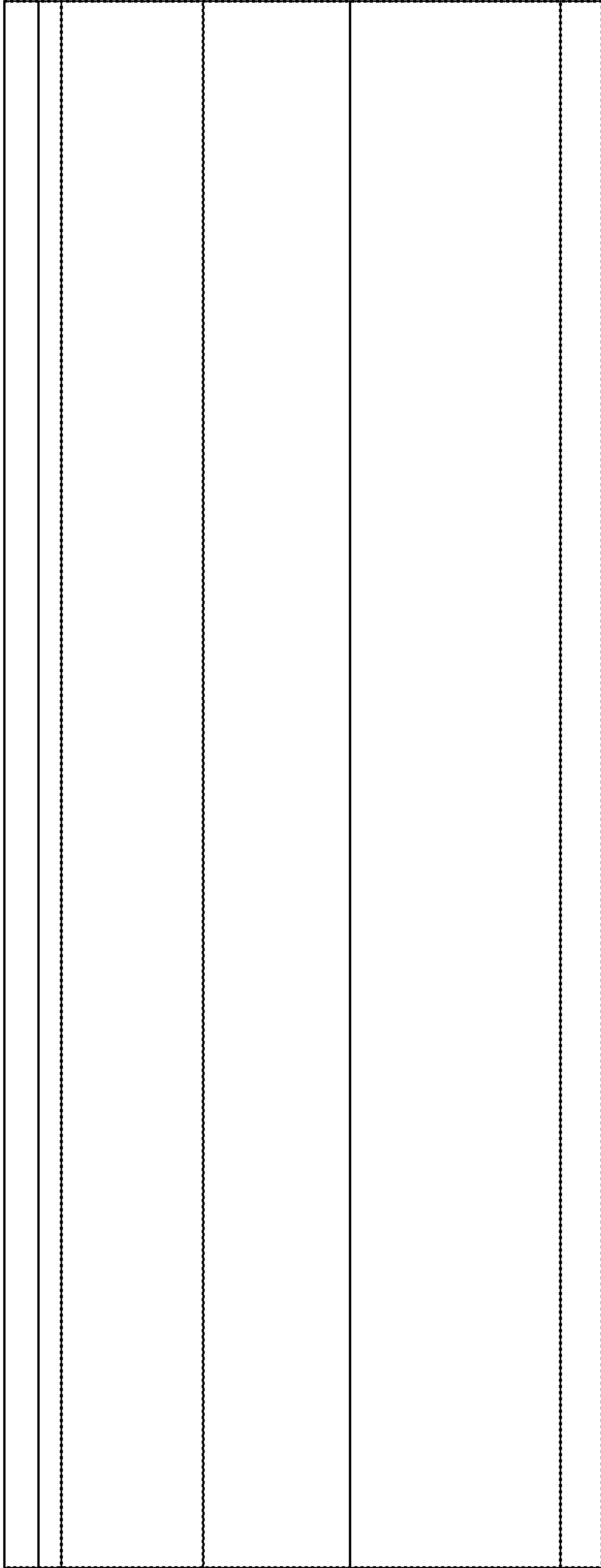


FIG. 6

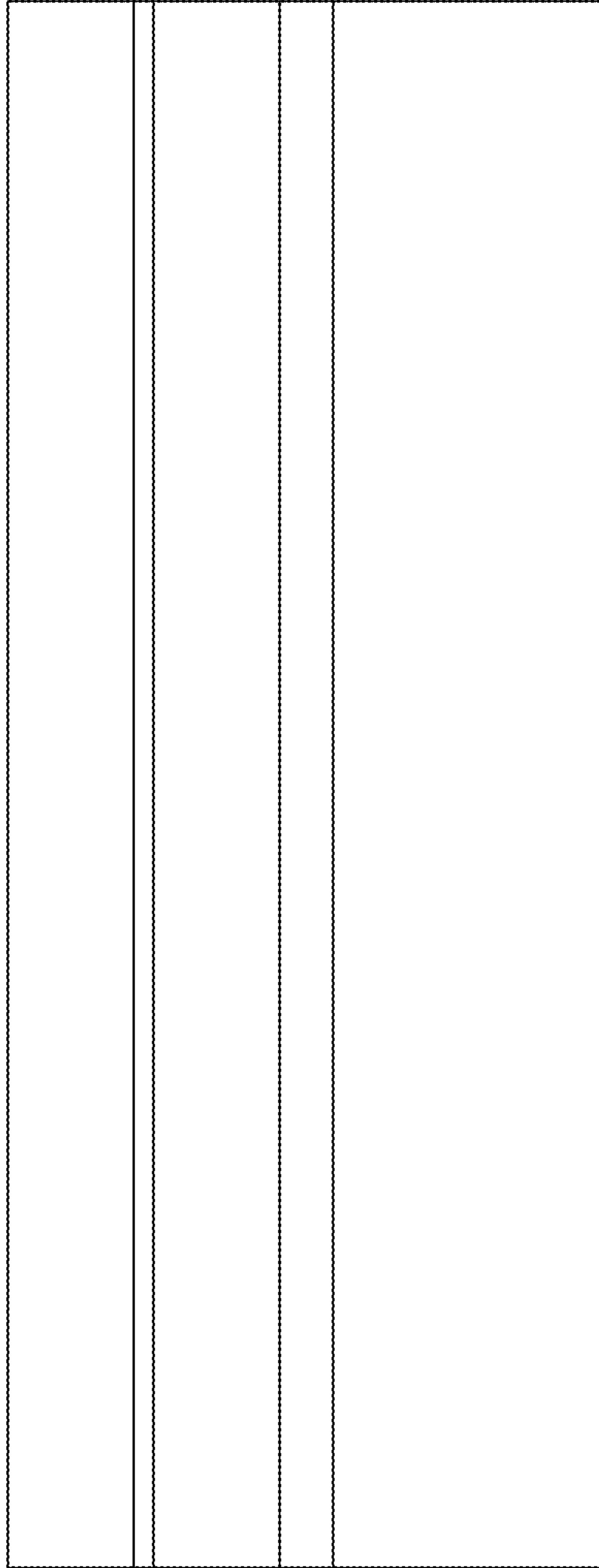


FIG. 7