



US00D935056S

(12) **United States Design Patent** (10) **Patent No.:** **US D935,056 S**
Norton et al. (45) **Date of Patent:** **** Nov. 2, 2021**

(54) BRIDGE PIECE	D314,240 S	1/1991	Schewiller	
	5,777,266 A	7/1998	Herman	
(71) Applicant: Cleveland Reclaim Industries, Inc. , Lorain, OH (US)	D414,276 S	9/1999	Bruno	
	D418,818 S *	1/2000	Henry	D25/160
	D435,304 S	12/2000	Rainey	
(72) Inventors: Tom Norton , Bay Village, OH (US); Robert Mestdagh , Ackley, IA (US); Dennis R Hildebrandt, Jr. , North Olmsted, OH (US); Michael W Jackson , Wooster, OH (US)	6,202,565 B1	3/2001	Henry	
	6,287,047 B1 *	9/2001	Dufresne	E01F 9/529 138/106
	D463,041 S *	9/2002	Dice	D25/118
	6,508,041 B1 *	1/2003	Boot	E04B 2/18 52/578
	6,878,881 B1 *	4/2005	Henry	H02G 9/02 104/275
(73) Assignee: Cleveland Reclaim Industries , Lorain, OH (US)	7,037,037 B1	5/2006	Smith	
	D567,913 S *	4/2008	Norton	D23/259
	8,678,704 B1 *	3/2014	Smith	E02B 3/14 405/16

(**) Term: **15 Years**

(21) Appl. No.: **29/643,276**

(22) Filed: **Apr. 6, 2018**

Related U.S. Application Data

(63) Continuation of application No. 29/584,435, filed on Nov. 15, 2016, now Pat. No. Des. 815,306, which is a continuation of application No. 29/522,823, filed on Apr. 2, 2015, now Pat. No. Des. 772,431.

(51) **LOC (13) Cl.** **25-01**

(52) **U.S. Cl.**
USPC **D25/113**

(58) **Field of Classification Search**
USPC D25/113-118, 199; D23/259
CPC ... E04C 1/00; E04C 1/395; E04B 1/02; E02B
3/14; E02B 3/122; E02B 3/123; H02G
9/02; H02G 9/04; H02G 9/025
See application file for complete search history.

References Cited

U.S. PATENT DOCUMENTS

D254,450 S 3/1980 Pulse

D298,464 S * 11/1988 Roote D25/117

(Continued)

Primary Examiner — Anhdao Doan
(74) *Attorney, Agent, or Firm* — Calfee, Halter & Griswold LLP

(57) **CLAIM**

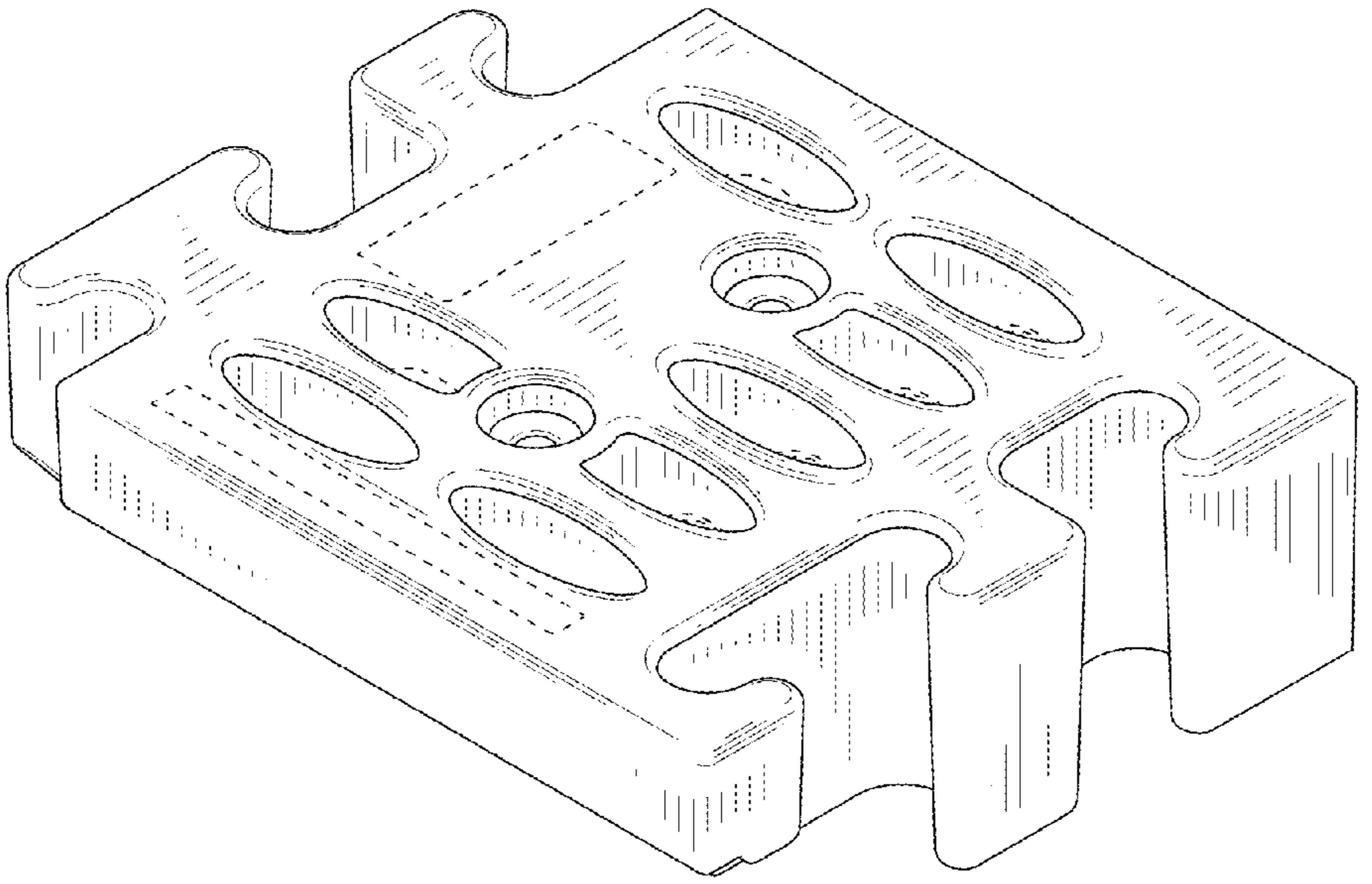
We claim the ornamental design for a bridge piece, as shown and described.

DESCRIPTION

FIG. 1 is a front, left, top perspective view of a bridge piece; FIG. 2 is a rear, left, bottom perspective view thereof; FIG. 3 is a front elevational view thereof; FIG. 4 is a rear elevational view thereof; FIG. 5 is a right side elevational view thereof; FIG. 6 is a left side elevational view thereof; FIG. 7 is a top plan view thereof; and, FIG. 8 is a bottom plan view thereof.

The broken lines immediately adjacent the shaded areas represent the bounds of the claimed design, while all other broken lines are directed to environment and are for illustrative purposes only; the broken lines form no part of the claimed design.

1 Claim, 5 Drawing Sheets



(56)

References Cited

U.S. PATENT DOCUMENTS

D725,748 S *	3/2015	Lake	D23/259
D772,431 S	11/2016	Norton	
9,512,582 B2	12/2016	Hill	
D815,306 S *	4/2018	Norton	D25/113
D844,757 S *	4/2019	Norton	D23/259
2002/0078513 A1 *	6/2002	Schouest	B60P 1/43 14/69.5
2010/0303555 A1	12/2010	Herse	
2014/0119831 A1 *	5/2014	Hill	E02B 3/14 405/16

* cited by examiner

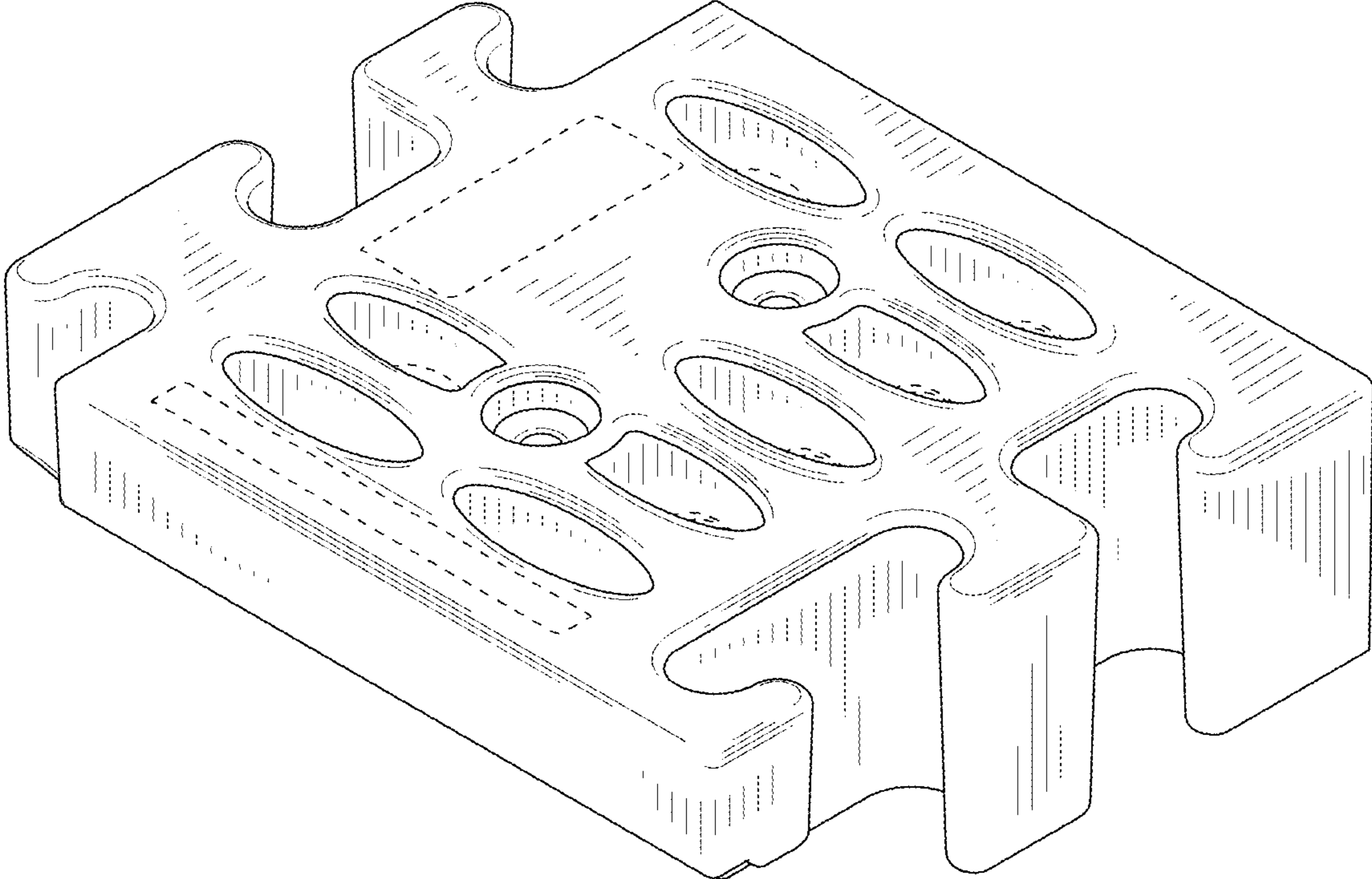


FIG. 1

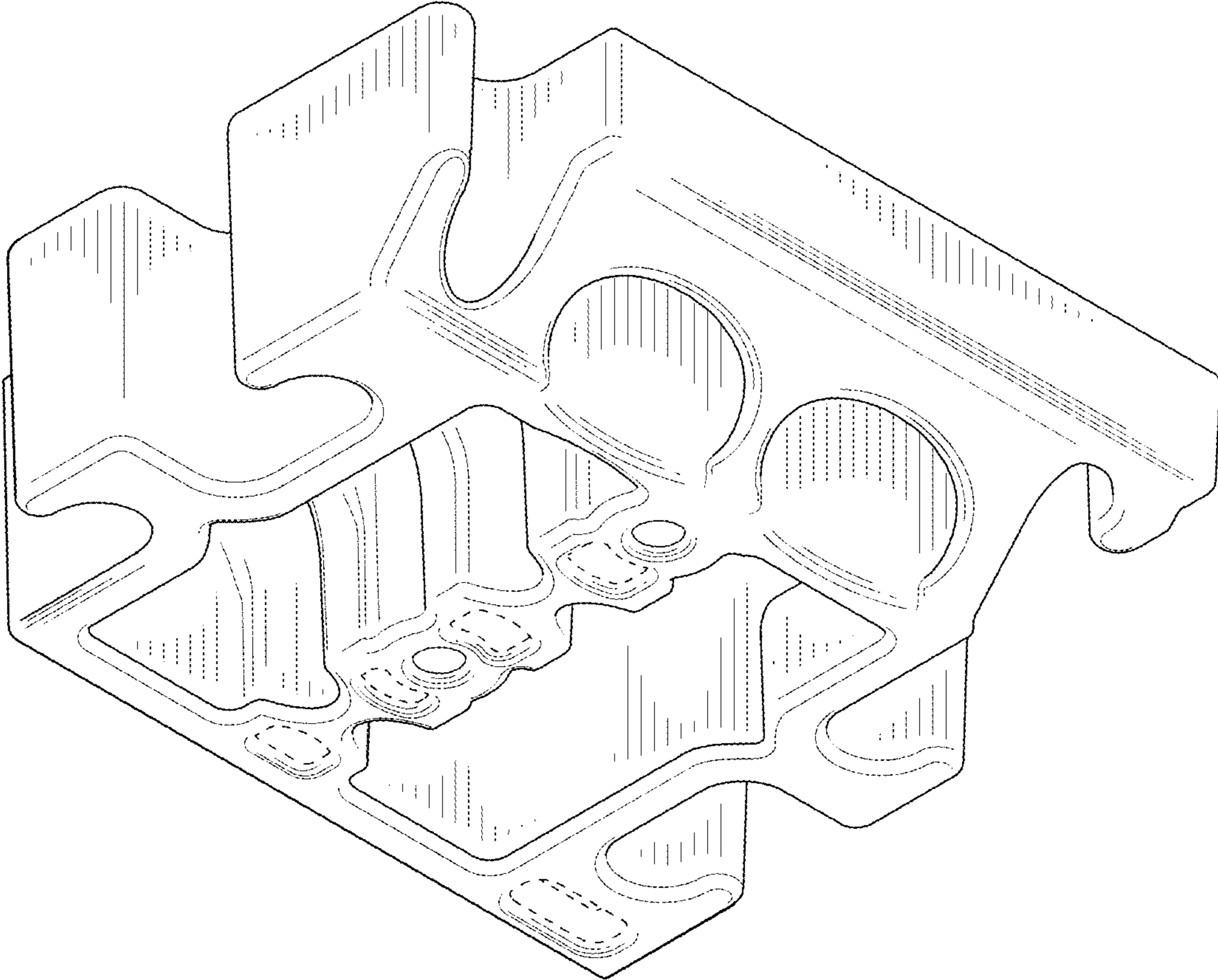


FIG. 2

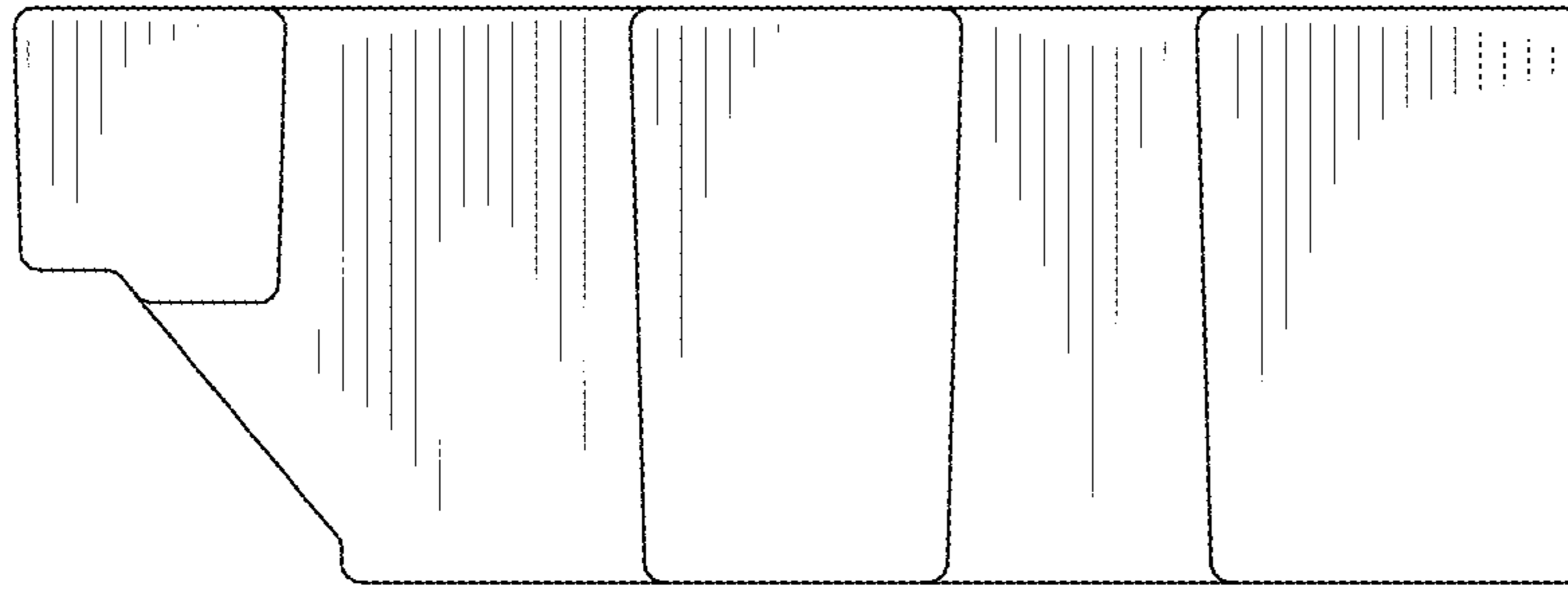


FIG. 3

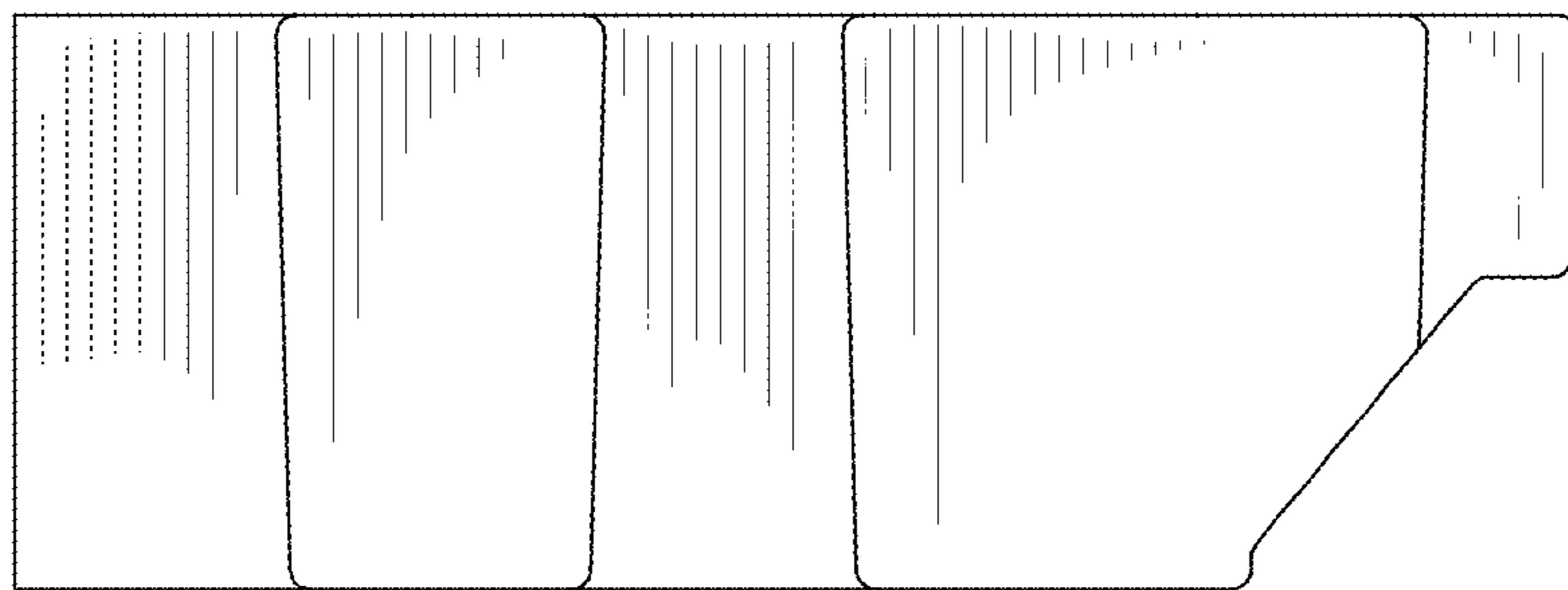


FIG. 4

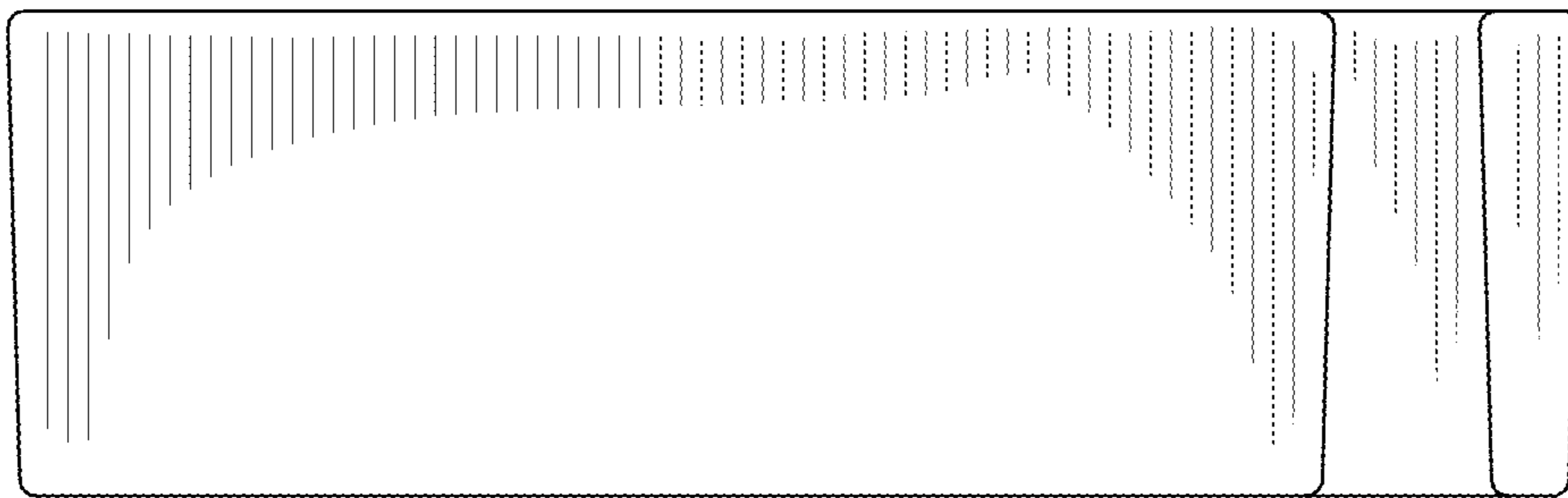


FIG. 5

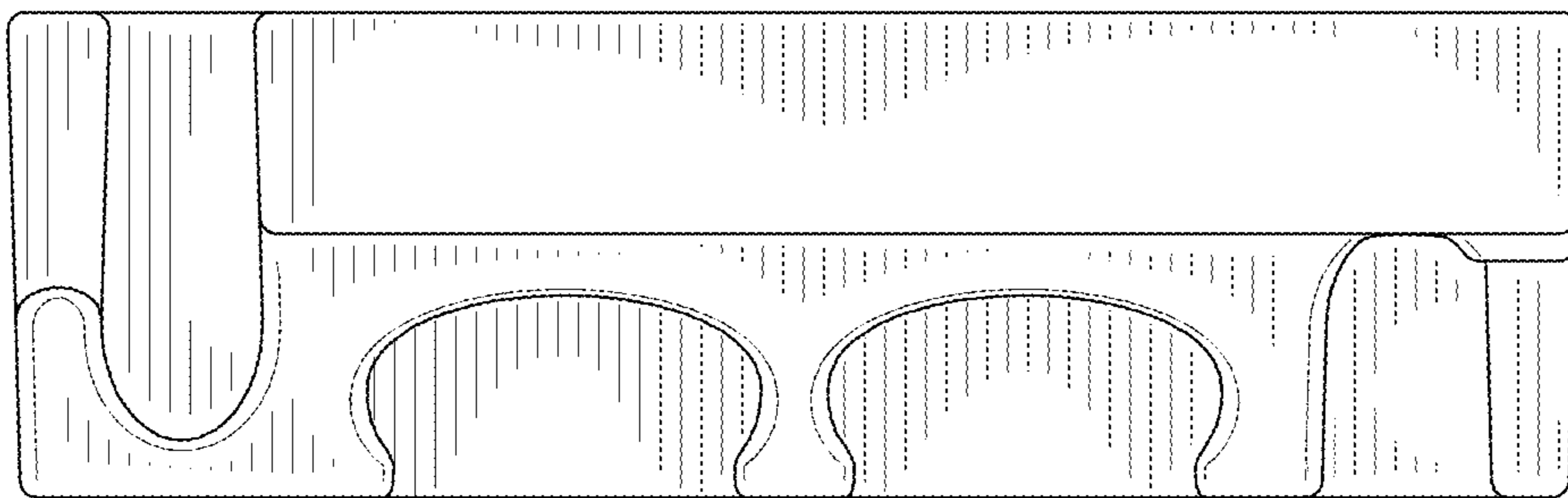


FIG. 6

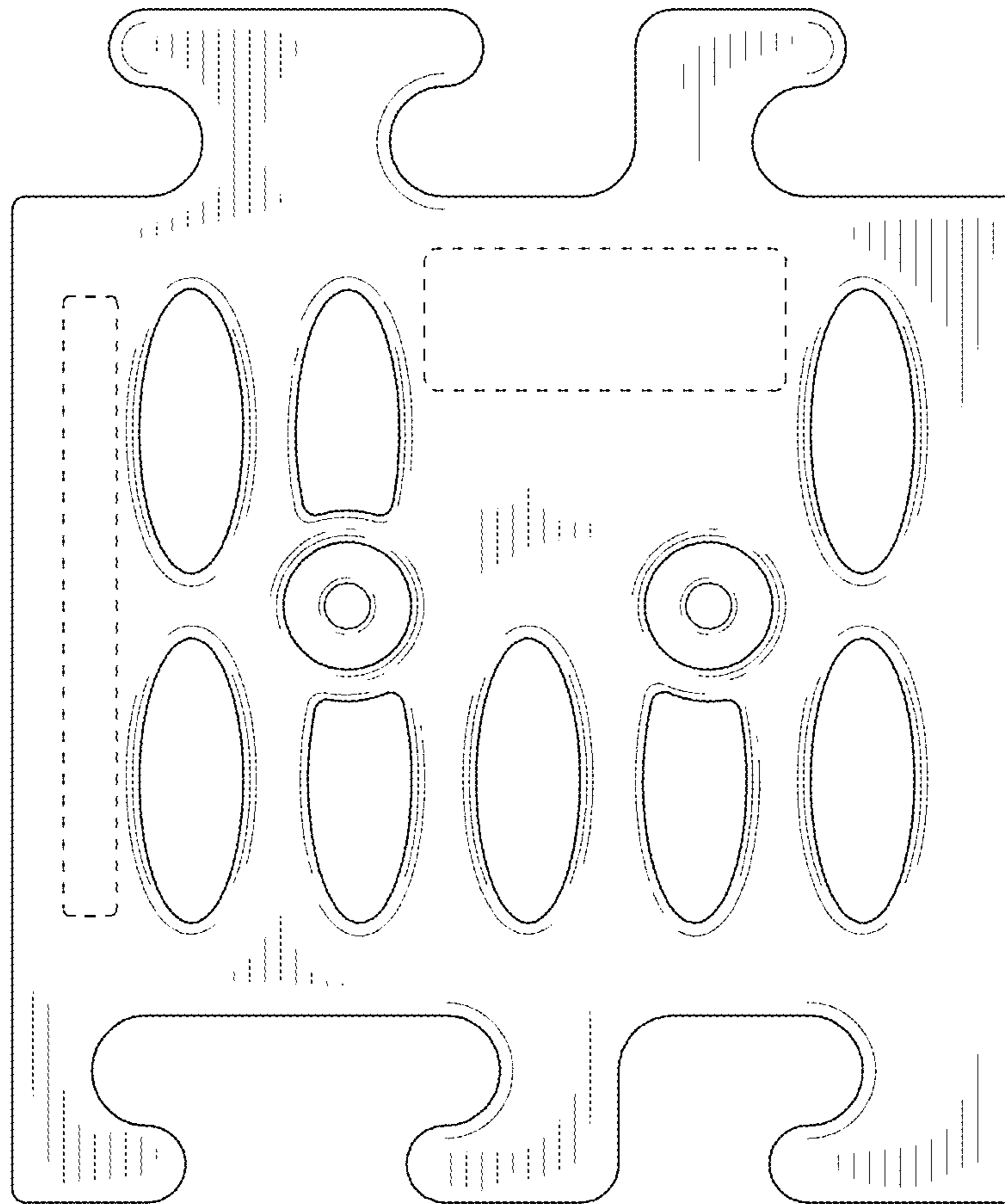


FIG. 7

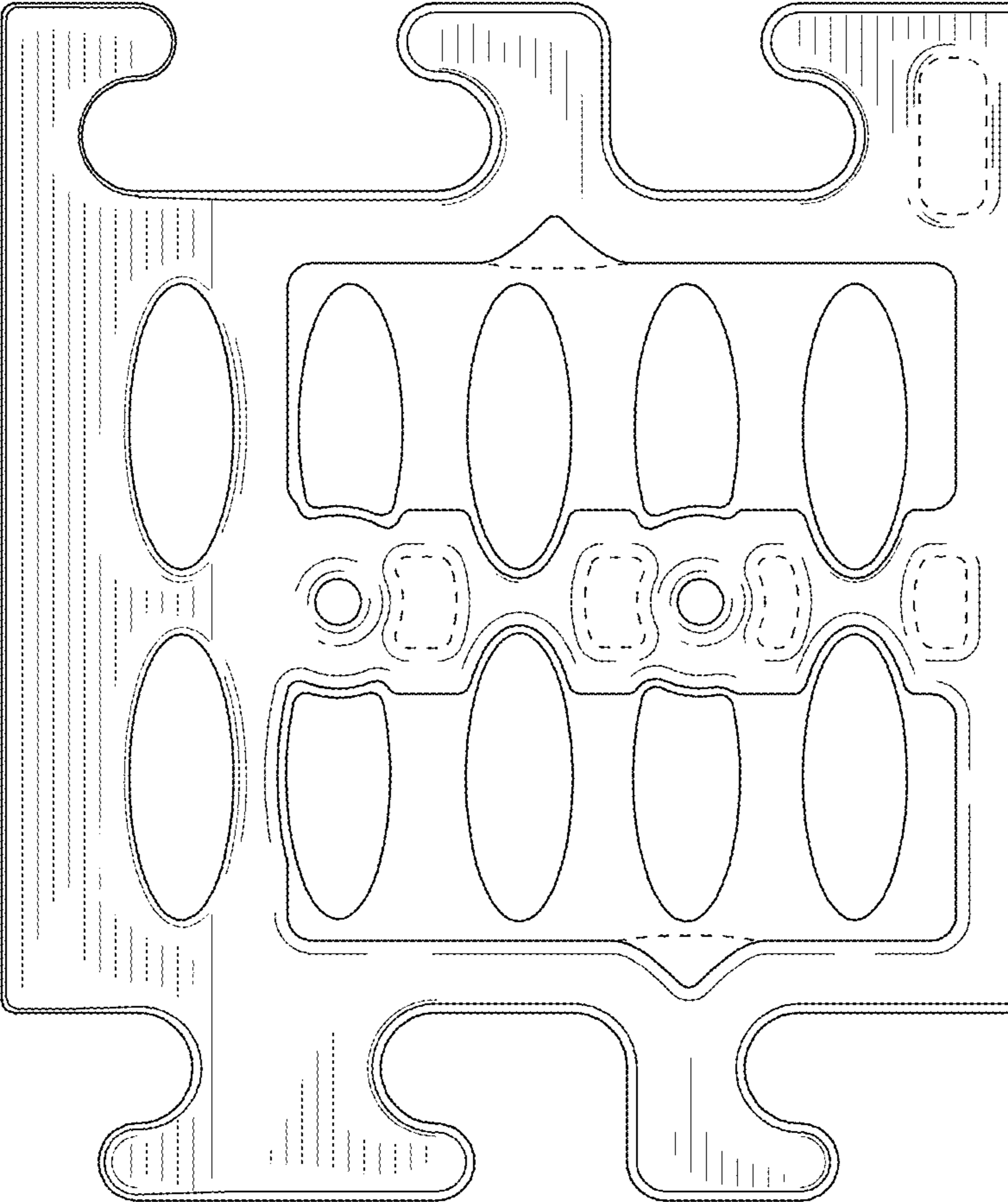


FIG. 8