



US00D935054S

(12) **United States Design Patent**  
**Maxfield et al.**

(10) **Patent No.:** **US D935,054 S**

(45) **Date of Patent:** **\*\* Nov. 2, 2021**

- (54) **LADDER**
- (71) Applicant: **LITTLE GIANT LADDER SYSTEMS, LLC**, Springville, UT (US)
- (72) Inventors: **B. Scott Maxfield**, Spanish Fork, UT (US); **N. Ryan Moss**, Mapleton, UT (US); **Brian B. Russell**, Saratoga Springs, UT (US)
- (73) Assignee: **LITTLE GIANT LADDER SYSTEMS, LLC**, Springville, UT (US)

9,016,434 B2 *	4/2015	Moss	.....	E06C 7/182
				182/106
D764,073 S	8/2016	Wang		
D840,055 S *	2/2019	Skubic	.....	D25/64
10,590,703 B2	3/2020	Parker et al.		
10,612,305 B2	4/2020	Mora et al.		
2010/0200331 A1	8/2010	Hager		
2012/0097481 A1	4/2012	Schienze et al.		
2016/0076304 A1	3/2016	Smith et al.		
2016/0348434 A1	12/2016	Williams et al.		
2017/0130530 A1	5/2017	Lawler et al.		
2017/0152710 A1	6/2017	Miller		
2017/0356244 A1	12/2017	Peterson et al.		

(Continued)

(\*\*) Term: **15 Years**

**FOREIGN PATENT DOCUMENTS**

(21) Appl. No.: **29/667,352**

CA 2881525 A1 9/2015

(22) Filed: **Oct. 19, 2018**

**OTHER PUBLICATIONS**

(51) **LOC (13) Cl.** ..... **25-04**

U.S. Appl. No. 29/667,356, filed Oct. 19, 2018.

(52) **U.S. Cl.**

(Continued)

USPC ..... **D25/64**

(58) **Field of Classification Search**

USPC ..... D25/62-65, 68, 69; 248/210; 182/165, 182/22, 180.1, 124, 115, 173, 23, 129, 182/106, 118

CPC ..... E06C 1/393; E06C 1/18; E06C 1/39  
See application file for complete search history.

*Primary Examiner* — Gino Colan

(74) *Attorney, Agent, or Firm* — Dorsey & Whitney LLP

(57) **CLAIM**

The ornamental design for a ladder, as shown and described.

(56) **References Cited**

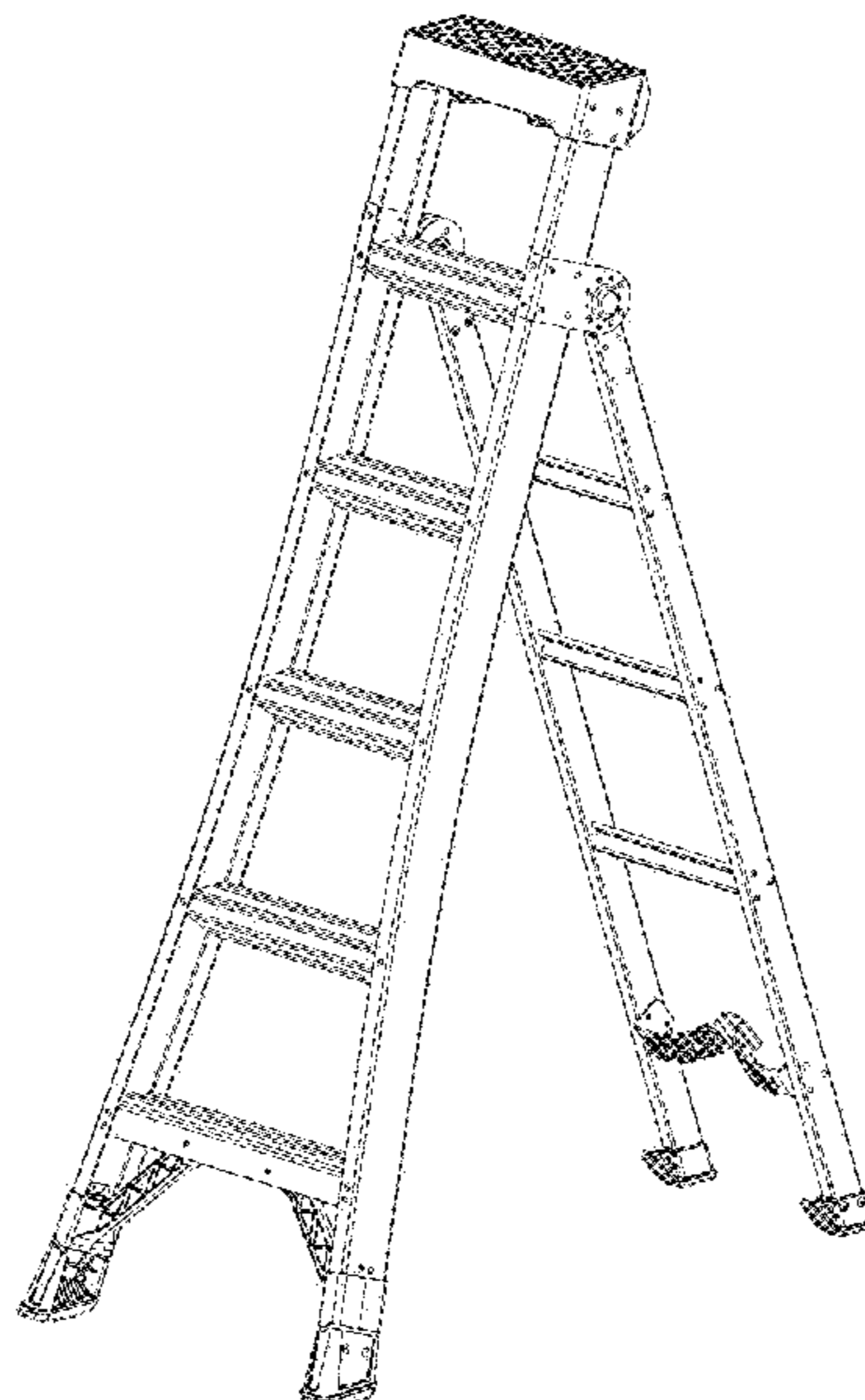
**U.S. PATENT DOCUMENTS**

507,784 A	10/1893	Congdon	
1,024,380 A	4/1912	Vierheller	
2,639,853 A	5/1953	Pierce	
4,560,030 A *	12/1985	Mucelli	..... E06C 1/393
			182/118
D388,883 S	1/1998	Thivierge et al.	
6,866,117 B2	3/2005	Moss	
D576,291 S *	9/2008	Latimer	..... D25/65
7,886,872 B2 *	2/2011	Astor	..... E06C 1/28
			182/129
8,186,481 B2	5/2012	Moss et al.	

**DESCRIPTION**

FIG. 1 is a front perspective view of a ladder;  
FIG. 2 is a front view of the ladder shown in FIG. 1;  
FIG. 3 is a rear view of the ladder shown in FIG. 1;  
FIG. 4 is a right side view of the ladder shown in FIG. 1;  
FIG. 5 is a left side view of the ladder shown in FIG. 1;  
FIG. 6 is a top plan view of the ladder shown in FIG. 1; and,  
FIG. 7 is a bottom plan view of the ladder shown in FIG. 1.

**1 Claim, 7 Drawing Sheets**



(56)

**References Cited**

U.S. PATENT DOCUMENTS

2018/0002982 A1 1/2018 Dressel  
2018/0230746 A1 8/2018 Maxfield et al.  
2018/0258698 A1 9/2018 Minock  
2018/0298691 A1 10/2018 Cook et al.  
2020/0048962 A1 2/2020 Moreno

OTHER PUBLICATIONS

Design U.S. Appl. No. 29/667,352, filed Oct. 19, 2018.  
Design U.S. Appl. No. 29/667,354, filed Oct. 19, 2018.  
Design U.S. Appl. No. 29/667,357, filed Oct. 19, 2018.  
Design U.S. Appl. No. 29/679,726, filed Feb. 8, 2019.  
Design U.S. Appl. No. 29/679,733, filed Feb. 8, 2019.  
U.S. Appl. No. 62/514,348, filed Jun. 2, 2017.  
U.S. Appl. No. 62/732,997, filed Sep. 18, 2018.

\* cited by examiner

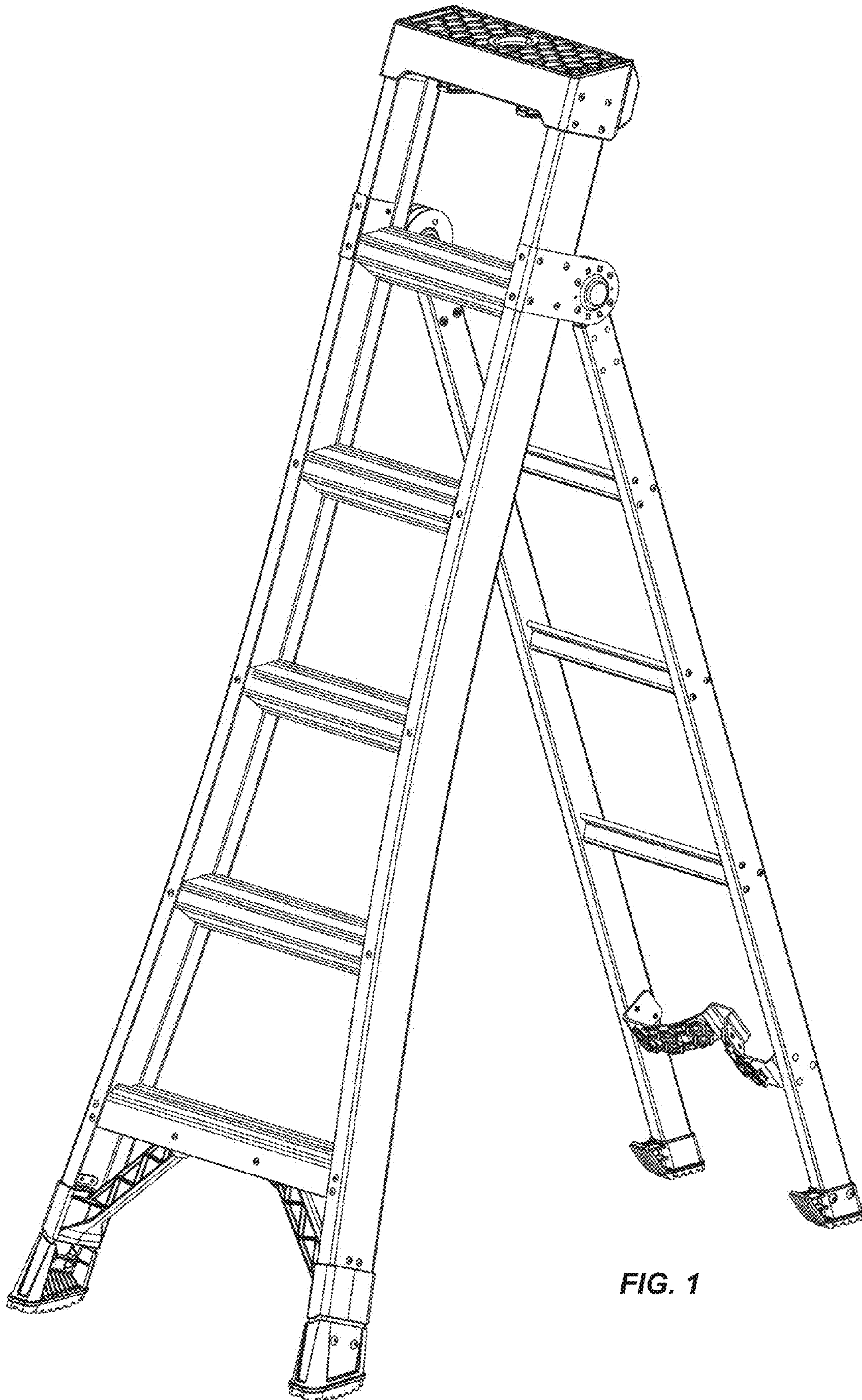


FIG. 1



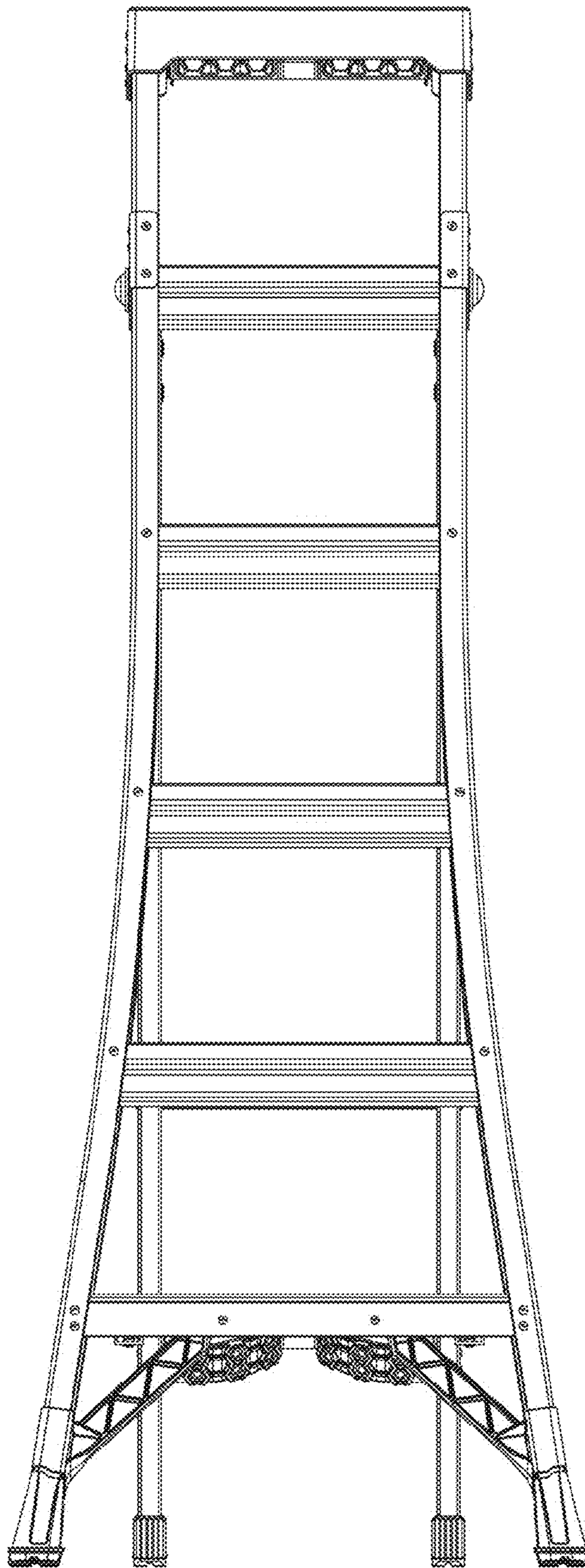


FIG. 2

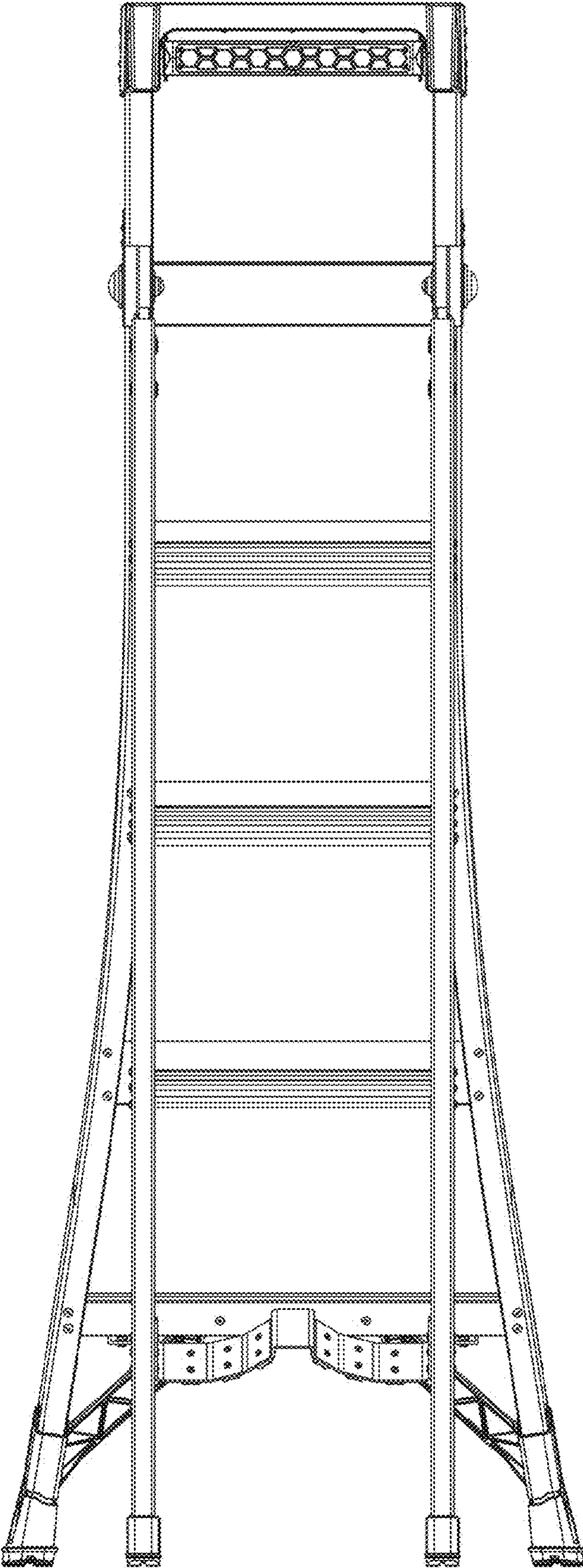


FIG. 3

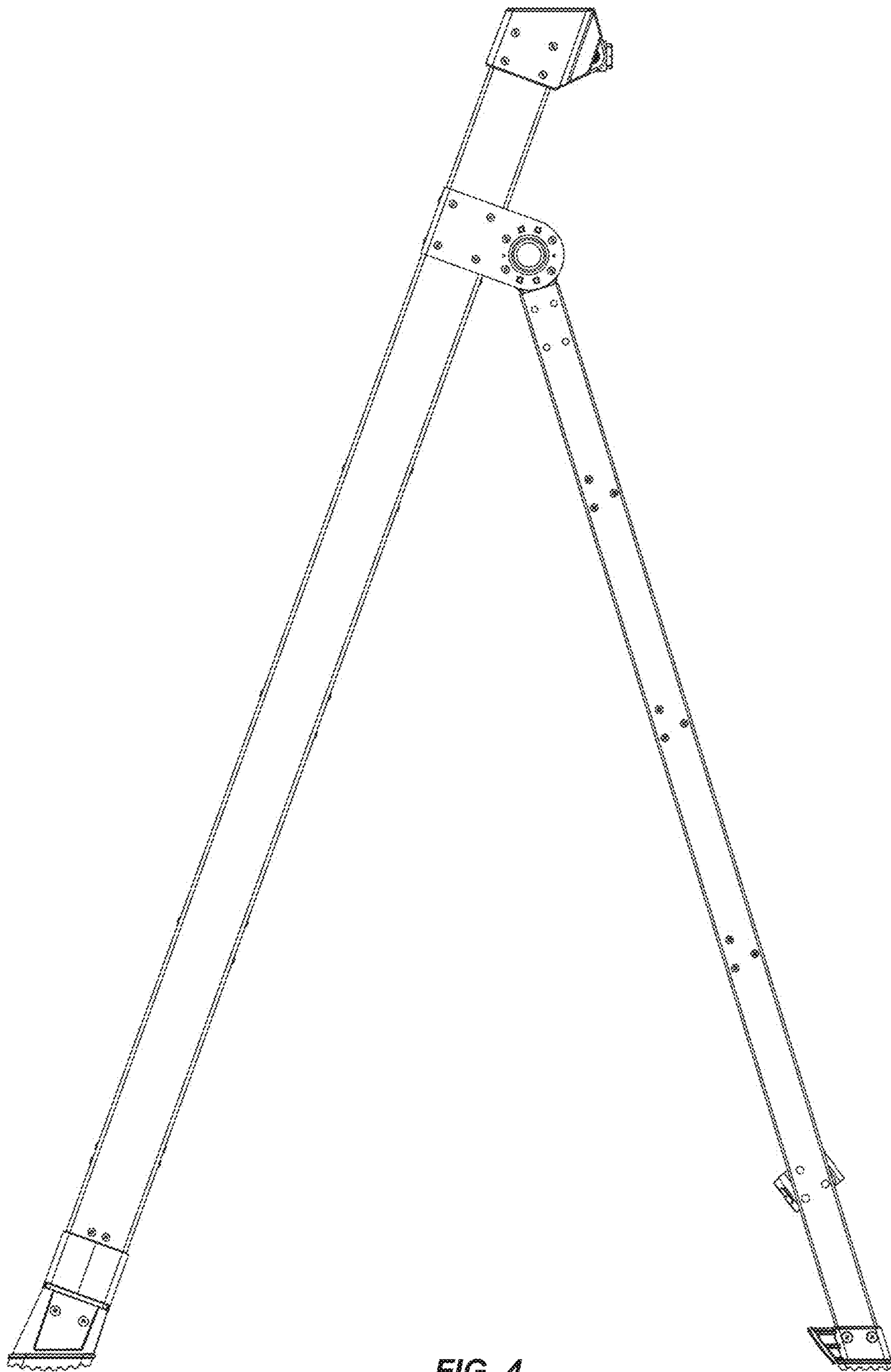


FIG. 4

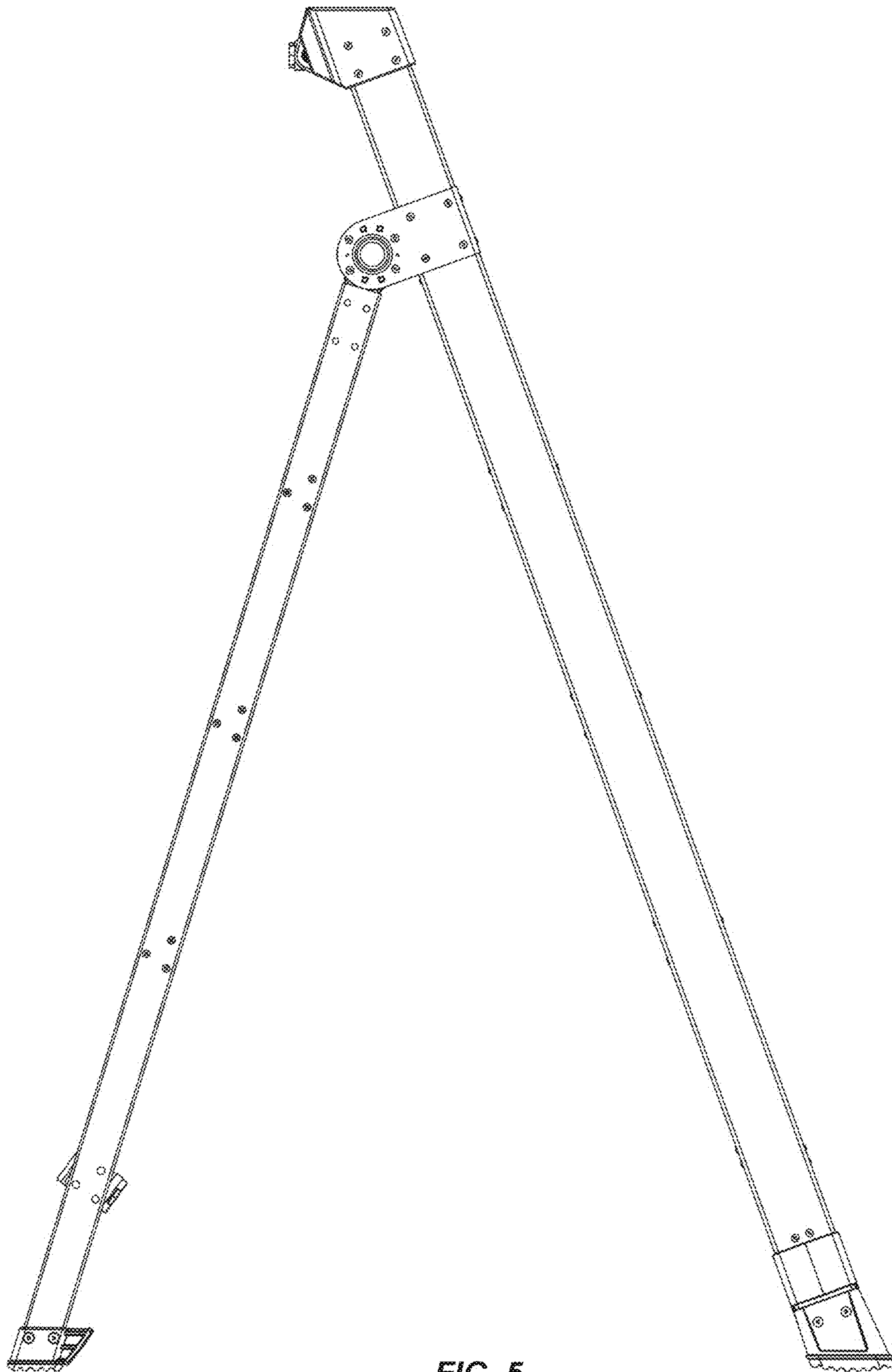


FIG. 5



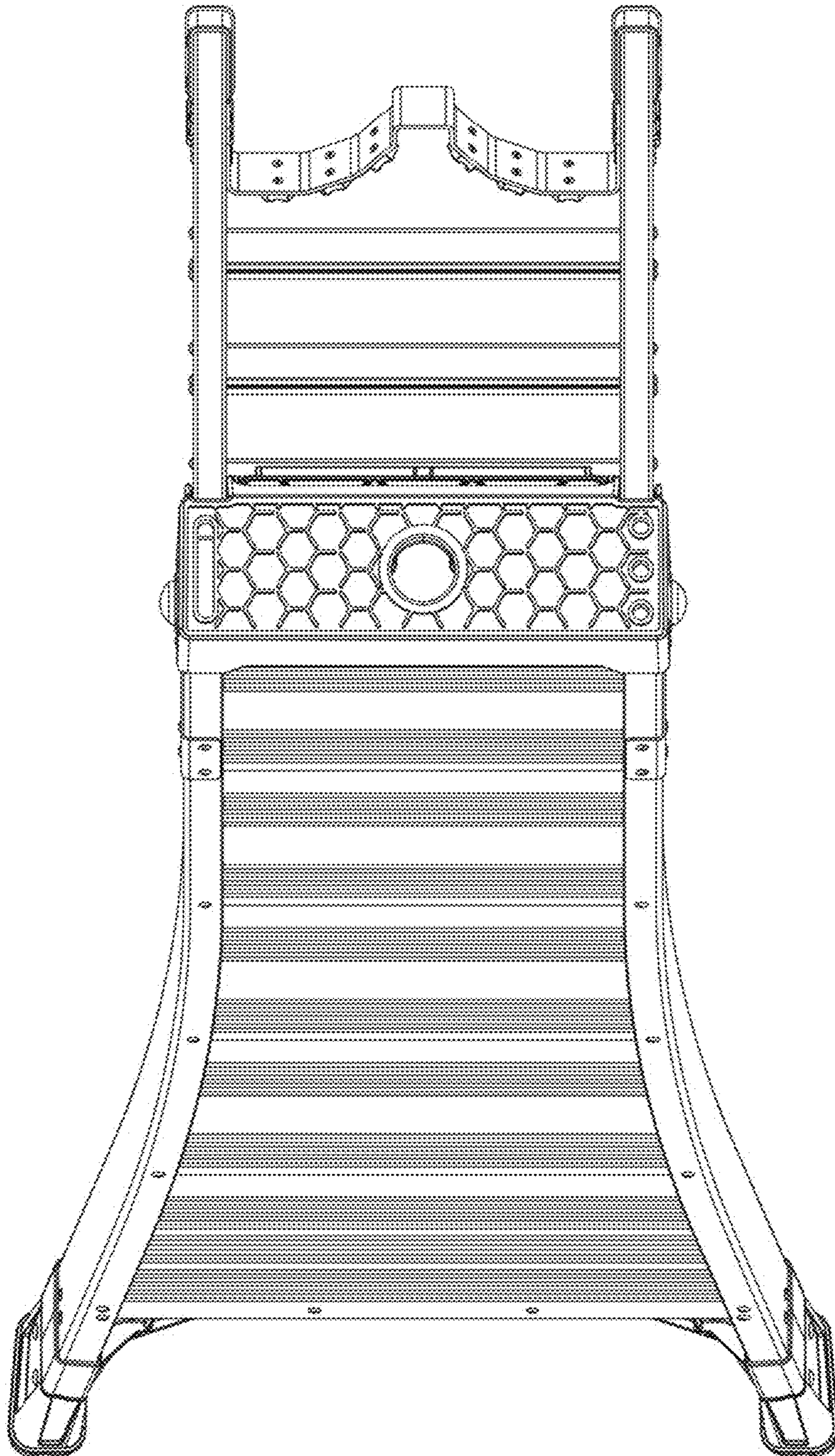


FIG. 6



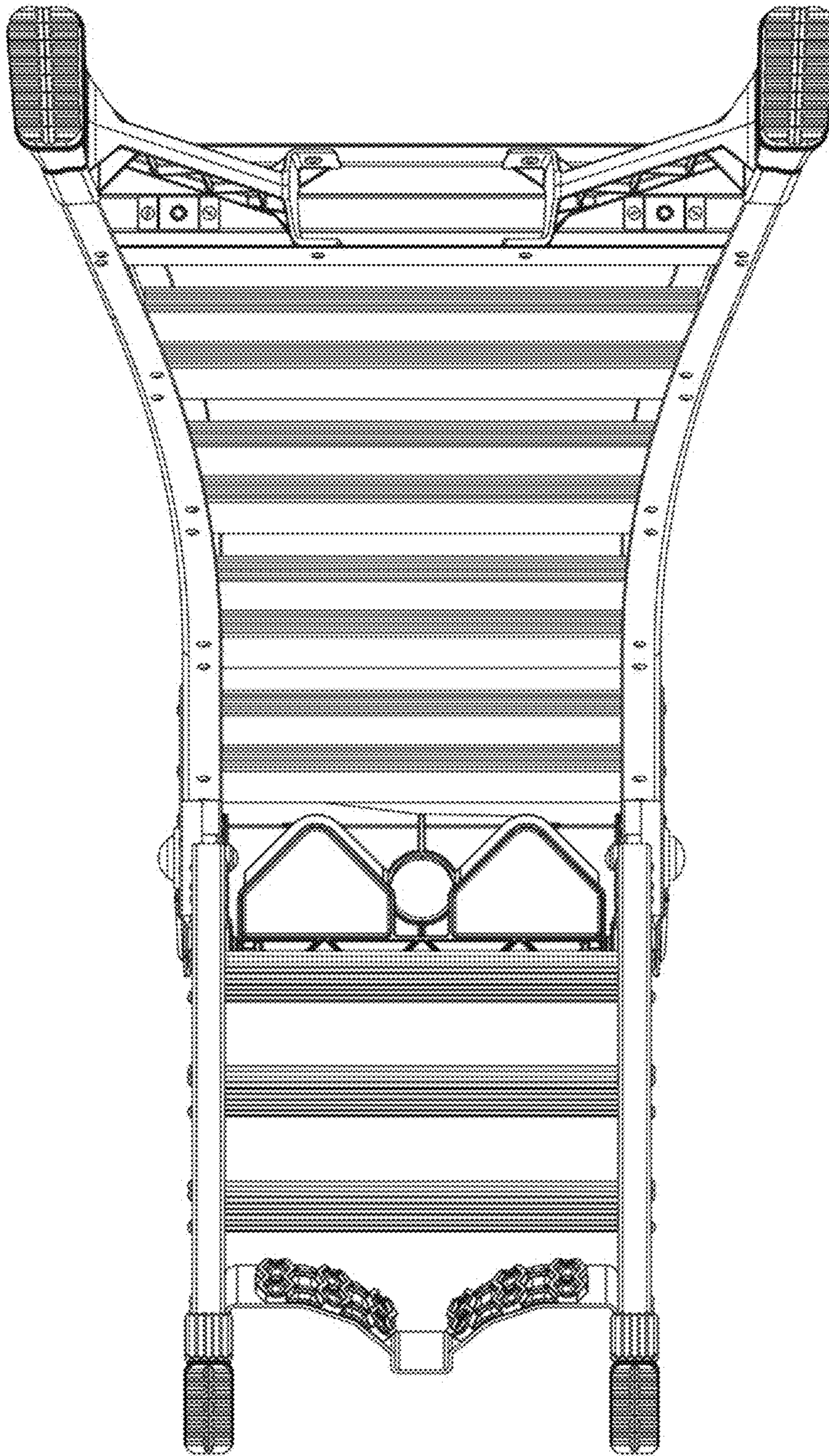


FIG. 7