



US00D935053S

(12) **United States Design Patent** (10) **Patent No.:** **US D935,053 S**  
**Lentine et al.** (45) **Date of Patent:** **\*\* \*Nov. 2, 2021**

(54) **LADDER**

(56) **References Cited**

(71) Applicant: **Werner Co.**, Greenville, PA (US)  
(72) Inventors: **Tek Lentine**, Greenville, PA (US);  
**Joseph Dangrow**, Mercer, PA (US);  
**Daniel C. Mora**, Transfer, PA (US);  
**Robert D. Beggs**, Stoneboro, PA (US);  
**Adam C. Fields**, Cochranon, PA (US);  
**Brent Sedlacek**, Elmhurst, IL (US);  
**Thomas W. Parker**, Jamestown, PA (US)

U.S. PATENT DOCUMENTS

2,808,975 A 10/1957 Palmquist  
2,870,948 A 1/1959 Lundgren  
3,715,012 A 2/1973 Perry  
4,363,378 A 12/1982 Williams et al.  
5,259,480 A 11/1993 Bartnicki  
5,267,632 A 12/1993 Mintz  
5,573,081 A 11/1996 Bartnicki  
5,622,238 A 4/1997 Farmer  
D404,503 S 1/1999 Bell et al.

(Continued)

(73) Assignee: **Werner Co.**, Greenville, PA (US)

OTHER PUBLICATIONS

(\*) Notice: This patent is subject to a terminal disclaimer.

Werner Co., "Werner #1 in Ladders, Climbing Equipment," Werner Catalog 2015, p. 13, 14, back page.

(\*\*) Term: **15 Years**

*Primary Examiner* — Gino Colan

(21) Appl. No.: **29/607,875**

(74) *Attorney, Agent, or Firm* — Ansel M. Schwartz

(22) Filed: **Jun. 16, 2017**

(57) **CLAIM**

**Related U.S. Application Data**

The ornamental design for the ladder, as shown and described.

(63) Continuation-in-part of application No. 29/589,376, filed on Dec. 30, 2016, now Pat. No. Des. 835,807, and a continuation-in-part of application No. 15/395,397, filed on Dec. 30, 2016, now Pat. No. 10,612,305.

**DESCRIPTION**

(51) **LOC (13) Cl.** ..... **25-04**

FIG. 1 is a rear perspective view of a ladder top showing our new design;

(52) **U.S. Cl.**

FIG. 2 is a front perspective view of a ladder top showing our new design;

USPC ..... **D25/64**

FIG. 3 is a right side elevational view thereof;

(58) **Field of Classification Search**

USPC ..... D25/62-65, 68, 69; 182/121, 23, 172, 182/125, 116, 122, 102, 96, 28, 27, 46, 182/20, 22, 26, 228.2, 222, 33, 129, 200, 182/156, 127, 120, 228.3, 104, 168, 206, 182/13, 33.3, 201, 106, 24, 25, 29, 117, 182/216, 180.1

FIG. 4 is a rear elevational view thereof;

CPC ... E06C 1/00; E06C 1/387; E06C 1/39; E06C 1/393

FIG. 5 is a left side elevational view thereof;

See application file for complete search history.

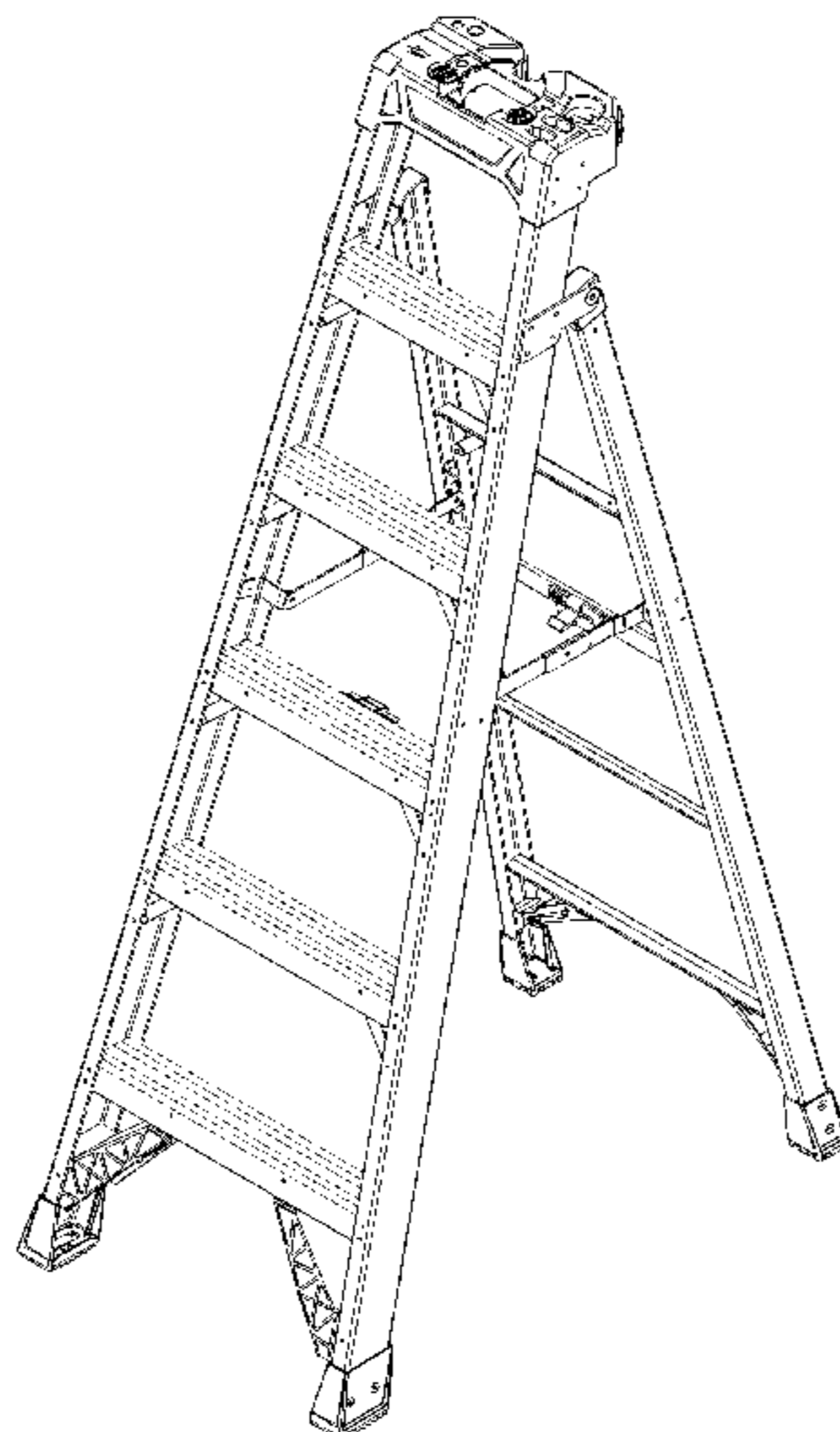
FIG. 6 is a front elevational view thereof;

FIG. 7 is a top plan view thereof; and,

FIG. 8 is a bottom plan view thereof.

The broken lines shown in the figures are included for the purpose of illustrating portions of the ladder top and form no part of the claimed design.

**1 Claim, 8 Drawing Sheets**



(56)

**References Cited**

U.S. PATENT DOCUMENTS

D422,717	S	4/2000	Bartnicki	
D447,818	S	9/2001	Weber	
6,691,825	B2	2/2004	Haig	
6,729,441	B1	5/2004	Nahlen	
6,823,998	B2	11/2004	Fabregas	
D530,025	S	10/2006	Patton	
D548,364	S *	8/2007	Skubic .....	D25/64
D549,356	S	8/2007	Gibson	
D597,685	S	8/2009	Gibson	
7,753,170	B1	7/2010	Gibson	
D627,487	S	11/2010	Lopez	
D766,461	S *	9/2016	Moss .....	D25/64
D766,462	S *	9/2016	Moss .....	D25/64
9,435,155	B2 *	9/2016	Tiber .....	B26D 7/01
D777,350	S *	1/2017	Moss .....	D25/64
9,714,541	B2	7/2017	Astor	
2007/0181366	A1	8/2007	Astor	
2007/0181367	A1	8/2007	Astor	
2008/0017447	A1	1/2008	Sheridan et al.	
2008/0083583	A1	4/2008	Gibson	
2009/0283361	A1	11/2009	Gibson	
2010/0200331	A1	8/2010	Hager	
2014/0332316	A1 *	11/2014	Tiber .....	B26D 7/01 182/129
2015/0090533	A1 *	4/2015	Moss .....	E06C 1/16 182/180.1
2017/0130529	A1	5/2017	Tamez Reyes	

\* cited by examiner

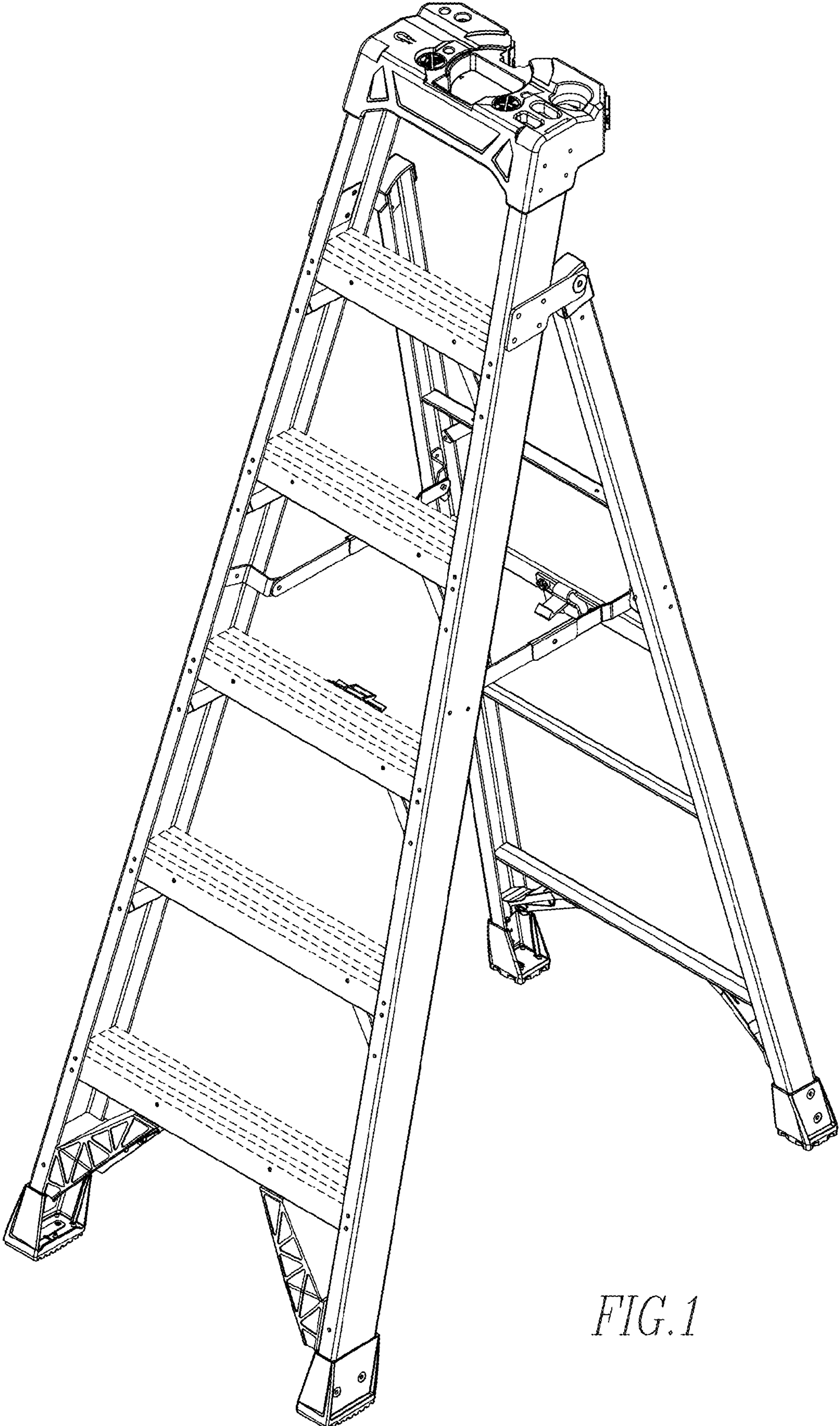


FIG. 1



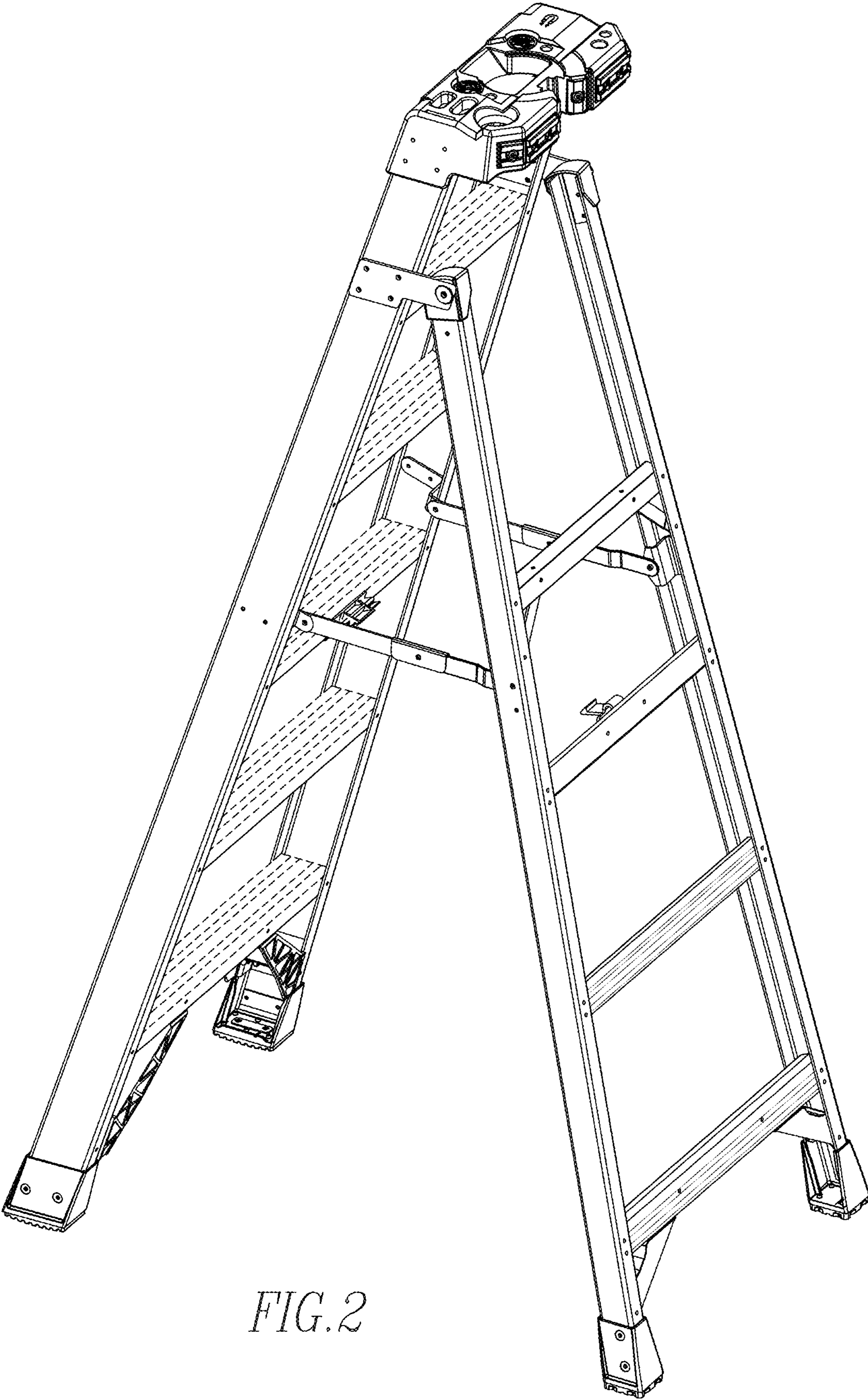


FIG. 2

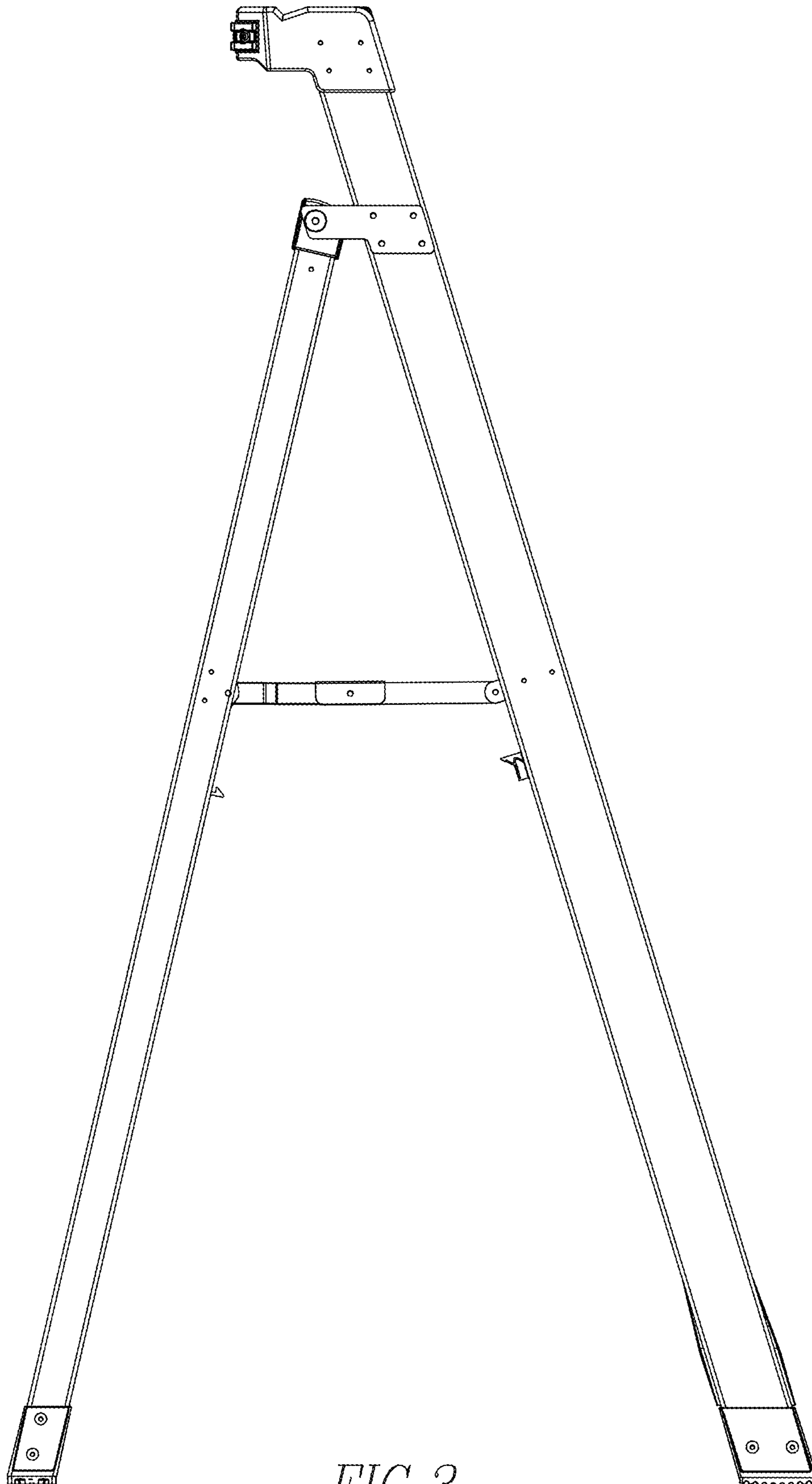


FIG. 3

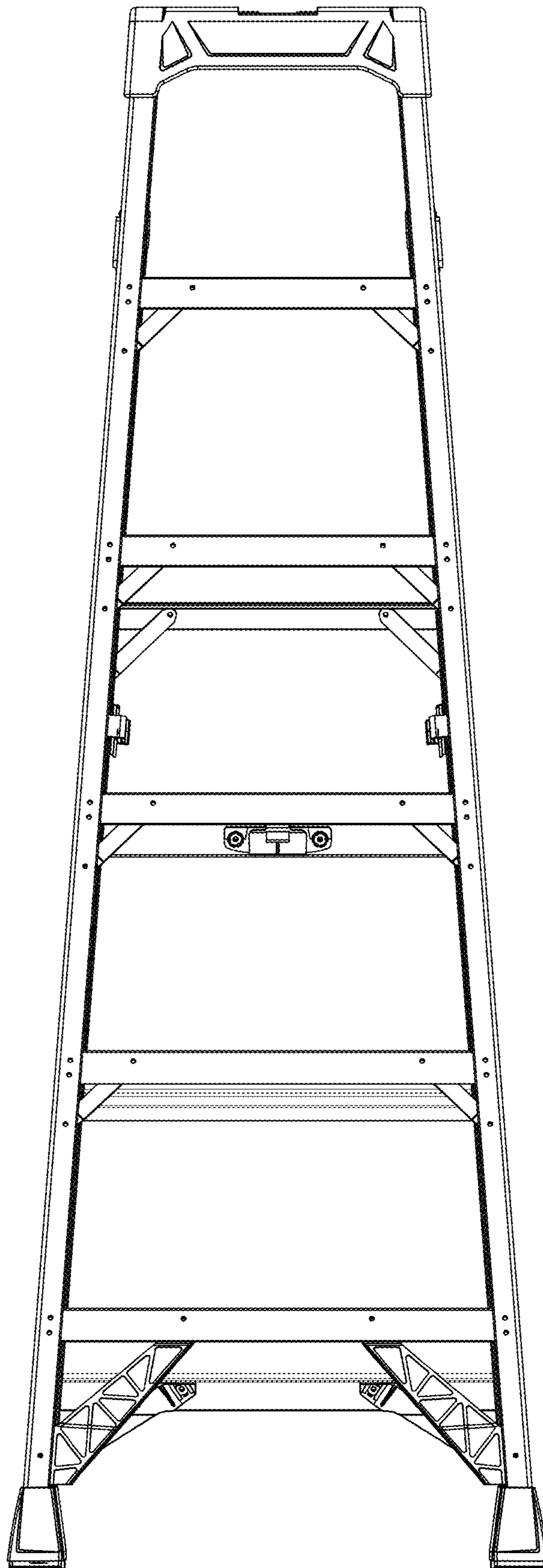


FIG. 4

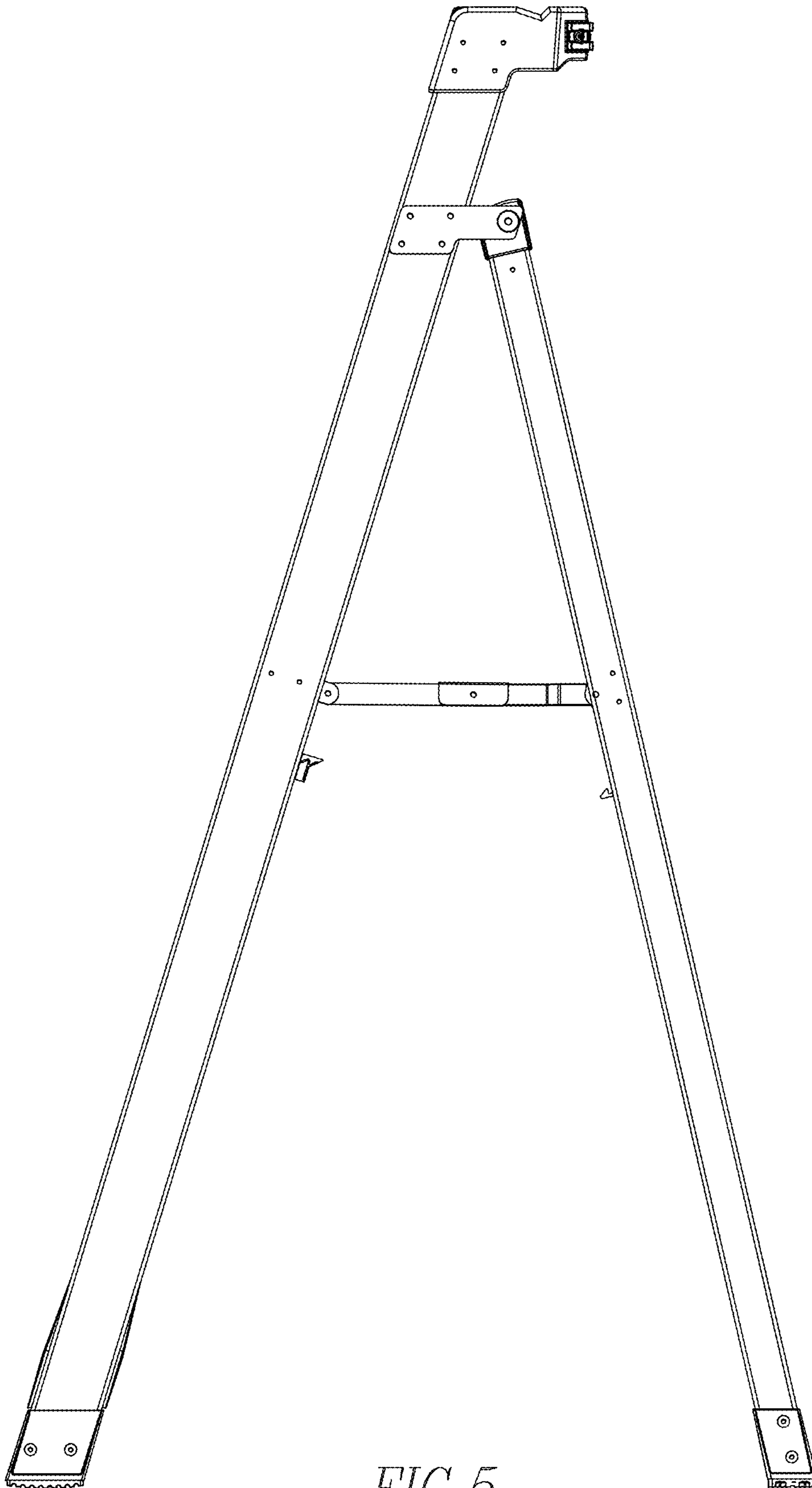


FIG. 5

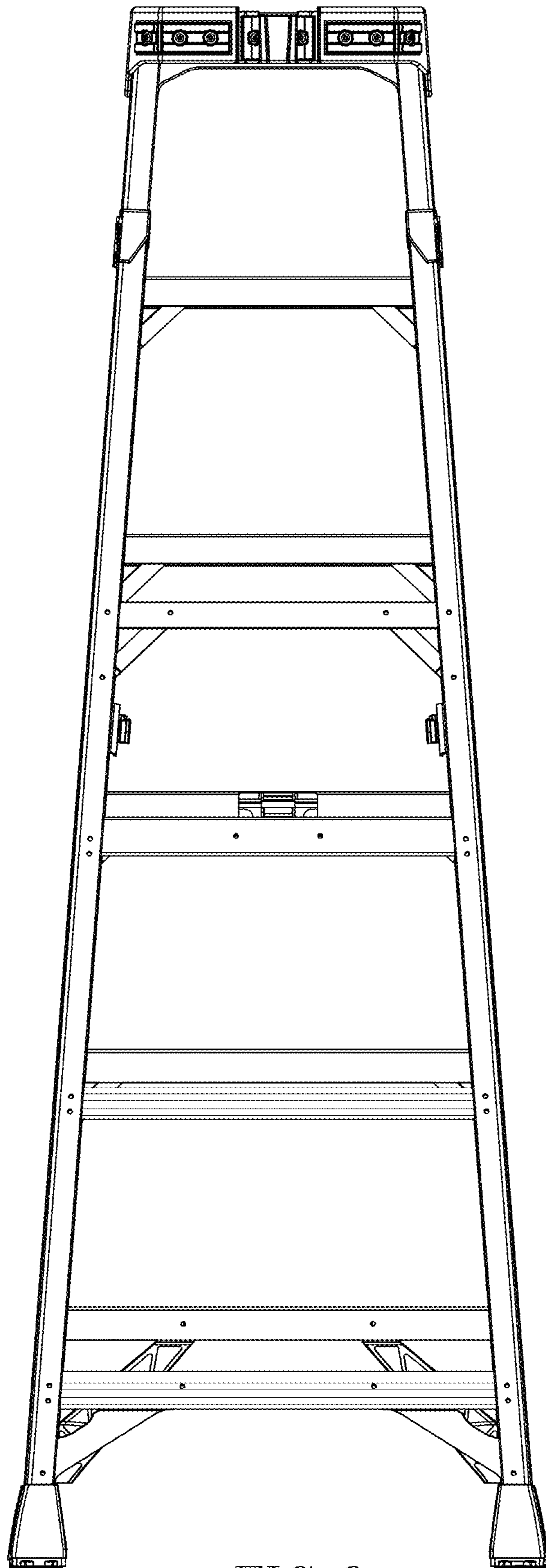


FIG. 6



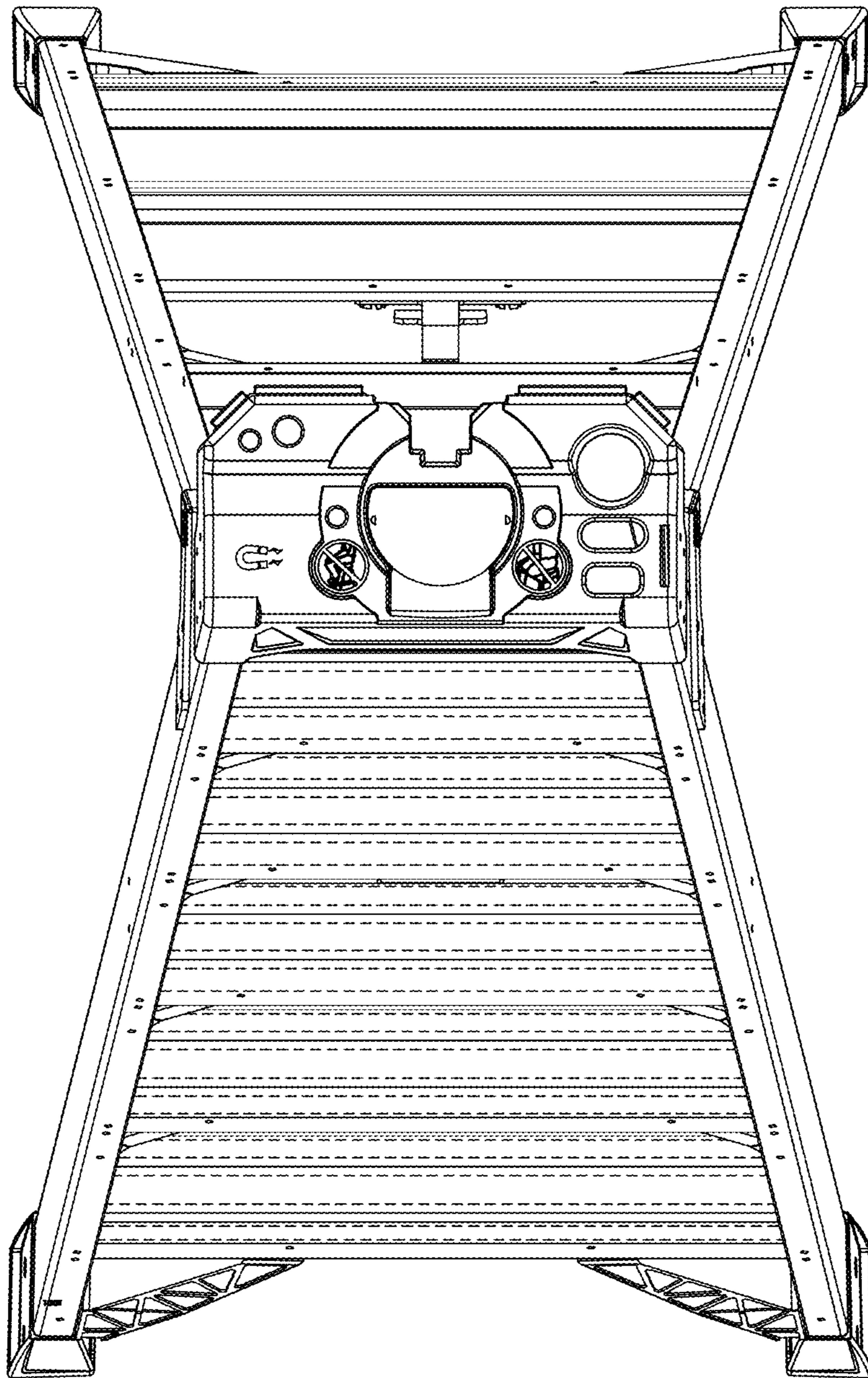


FIG. 7

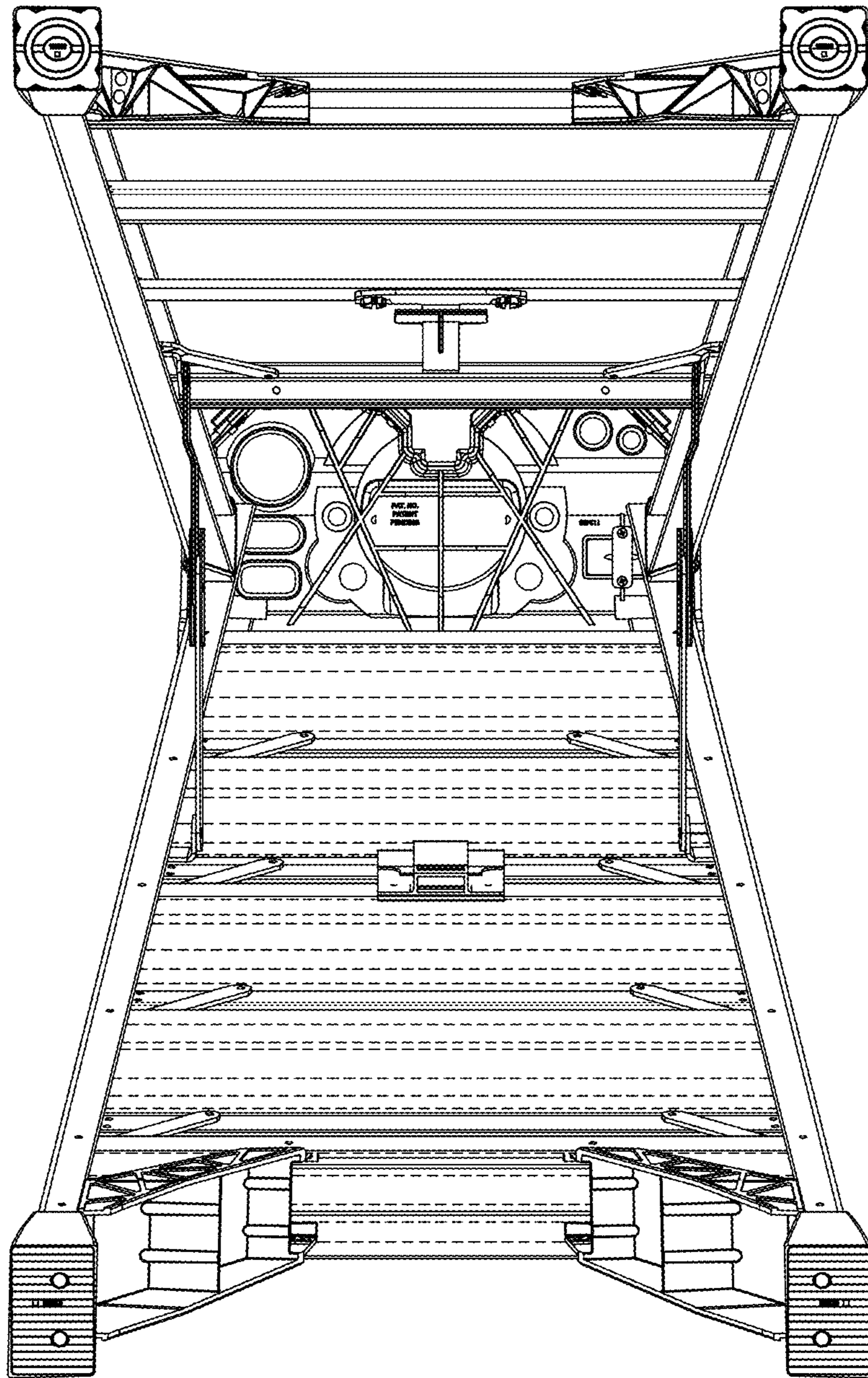


FIG. 8