



US00D935050S

(12) **United States Design Patent** (10) **Patent No.:** **US D935,050 S**  
**Smollar** (45) **Date of Patent:** **\*\* Nov. 2, 2021**

(54) **ALLERGEN DROPPER BOTTLE**  
(71) Applicant: **Marvin Smollar**, Delray Beach, FL (US)

D826,068 S \* 8/2018 Aboabdo ..... D9/724  
D832,107 S \* 10/2018 Ruthe-Steinsiek ..... D9/521  
D850,930 S \* 6/2019 Wang ..... D9/724  
D904,902 S \* 12/2020 Yang ..... D9/724  
2005/0106753 A1 \* 5/2005 Wu ..... B01L 3/5029  
436/180  
2015/0289794 A1 \* 10/2015 Smollar ..... A61B 50/33  
600/556

(72) Inventor: **Marvin Smollar**, Delray Beach, FL (US)

(73) Assignee: **ST-9, Inc.**, Delray Beach, FL (US)

\* cited by examiner

(\*\*) Term: **15 Years**

*Primary Examiner* — Anhdao Doan

(21) Appl. No.: **29/691,615**

(74) *Attorney, Agent, or Firm* — Laurence A. Greenberg; Werner H. Stemer; Ralph E. Locher

(22) Filed: **May 17, 2019**

(51) **LOC (13) Cl.** ..... **24-01**

(57) **CLAIM**

The ornamental design for an allergen dropper bottle, as shown and described.

(52) **U.S. Cl.**

USPC ..... **D24/224**; D9/724

**DESCRIPTION**

(58) **Field of Classification Search**

USPC ..... D24/216, 219, 223–233, 186, 107, 121; D10/81; D9/521, 530, 539, 545, 505, D9/449, 724

CPC ..... A61B 5/411; A61B 5/441; B01L 3/0272

See application file for complete search history.

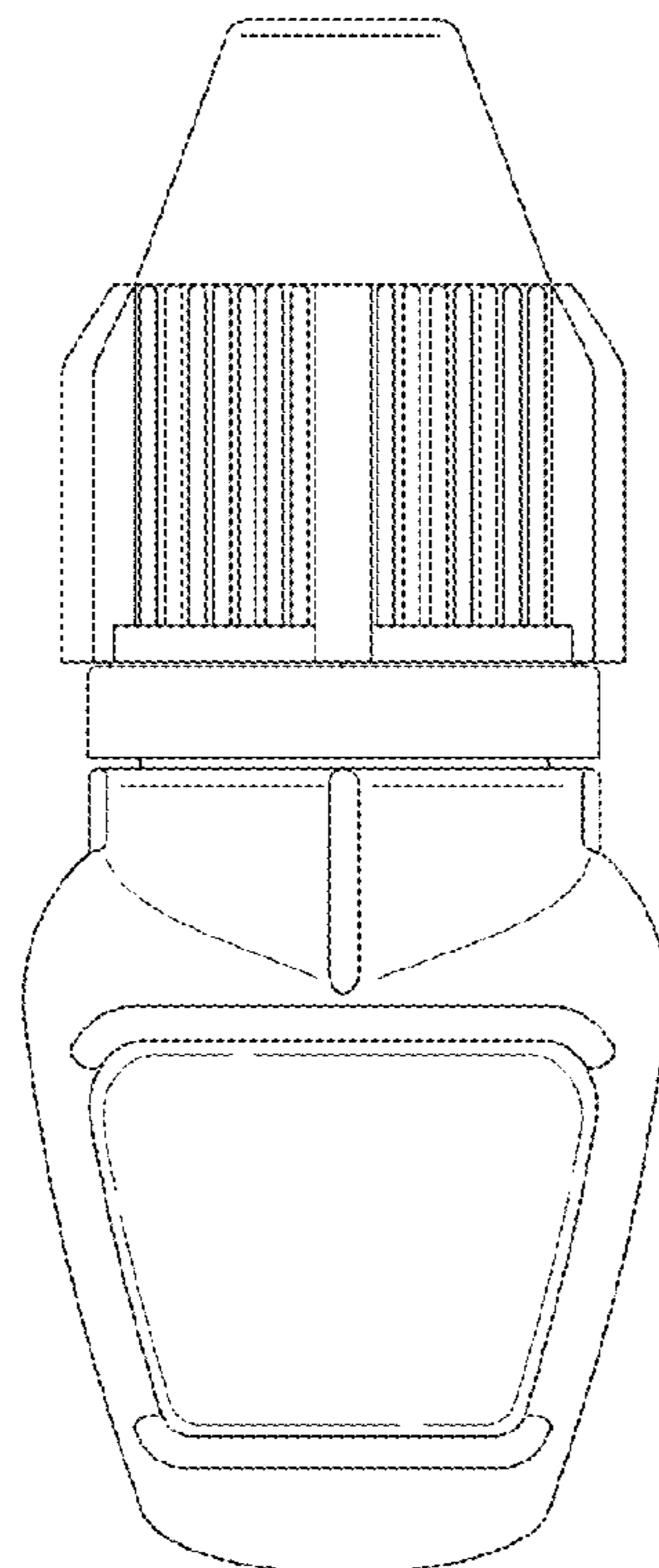
(56) **References Cited**

**U.S. PATENT DOCUMENTS**

D451,396 S \* 12/2001 Johnson ..... D9/530  
7,114,403 B2 \* 10/2006 Wu ..... A61B 10/0051  
73/864.72  
D591,169 S \* 4/2009 Otsuka ..... D9/724  
D672,253 S \* 12/2012 Lee ..... D9/724  
D697,225 S \* 1/2014 Maas ..... D24/224  
D764,678 S \* 8/2016 Smollar ..... D24/223

FIG. 1 is a front view of the allergen dropper bottle, showing my new design;  
FIG. 2 is a top plan view thereof;  
FIG. 3 is a bottom plan thereof;  
FIG. 4 is a rear view thereof;  
FIG. 5 is a perspective, bottom view of a cap where an inside of the cap is of a symmetrical design;  
FIG. 6 is a perspective, top view of the cap;  
FIG. 7 is an exploded, front view of the allergen dropper bottle;  
FIG. 8 is a top plan view of the allergen dropper bottle with the cap removed; and,  
FIG. 9 is a bottom plan view of the allergen dropper bottle with the cap removed.

**1 Claim, 6 Drawing Sheets**



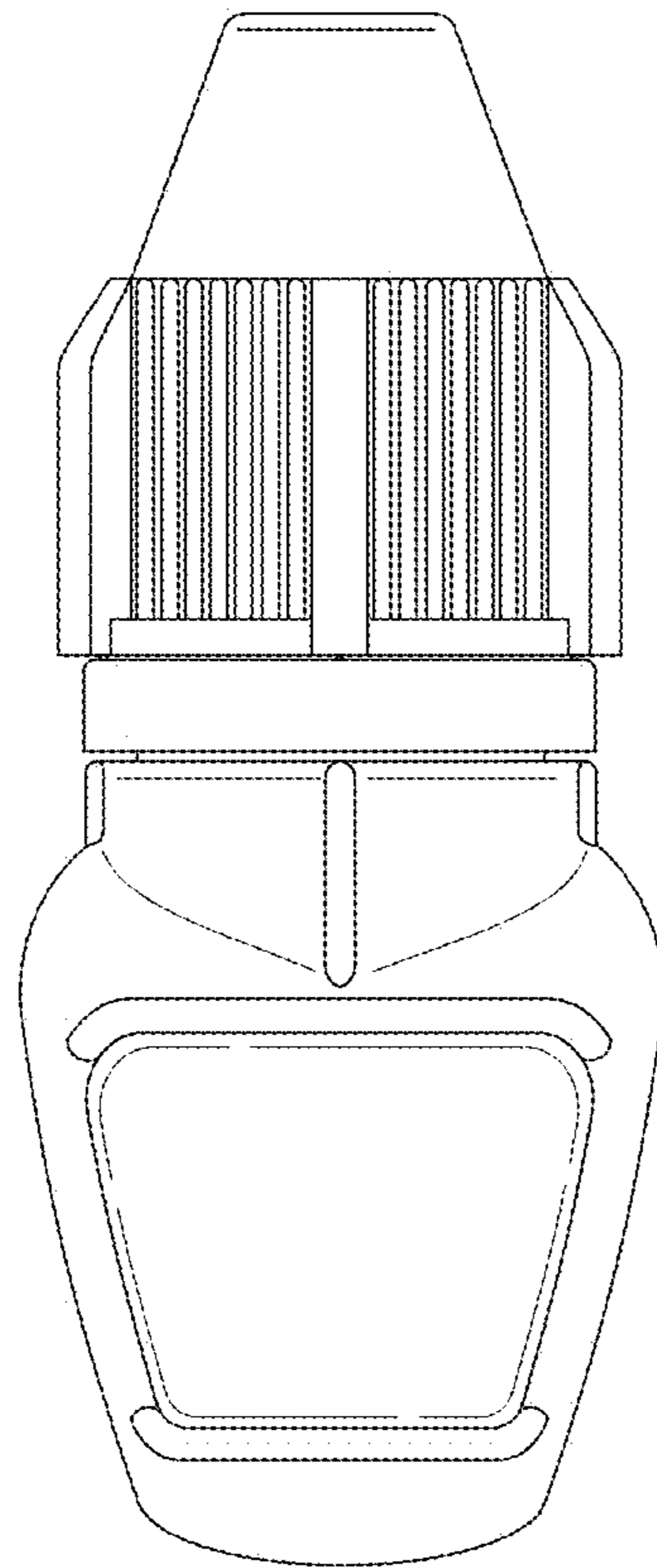


FIG. 1

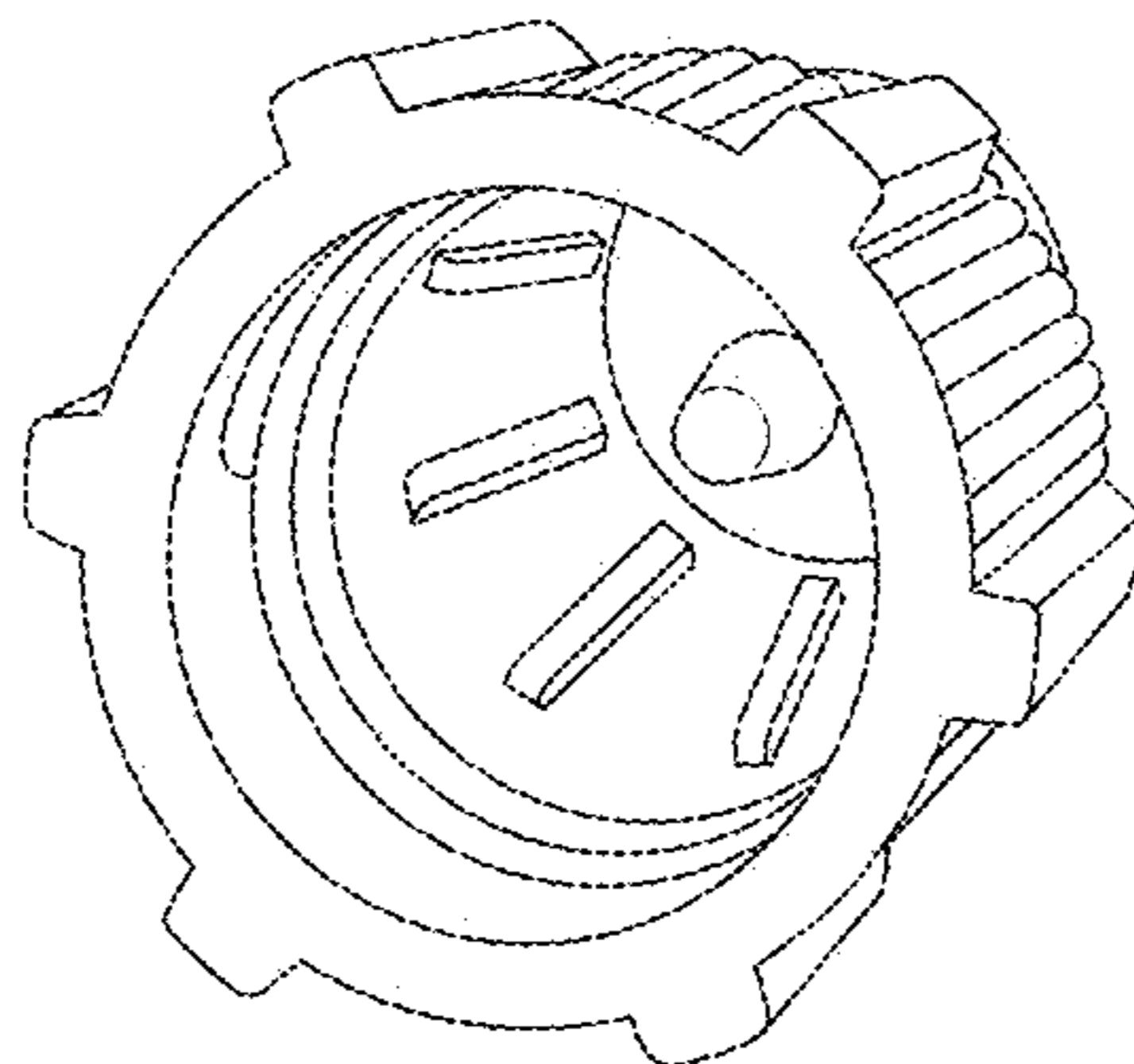


FIG. 5

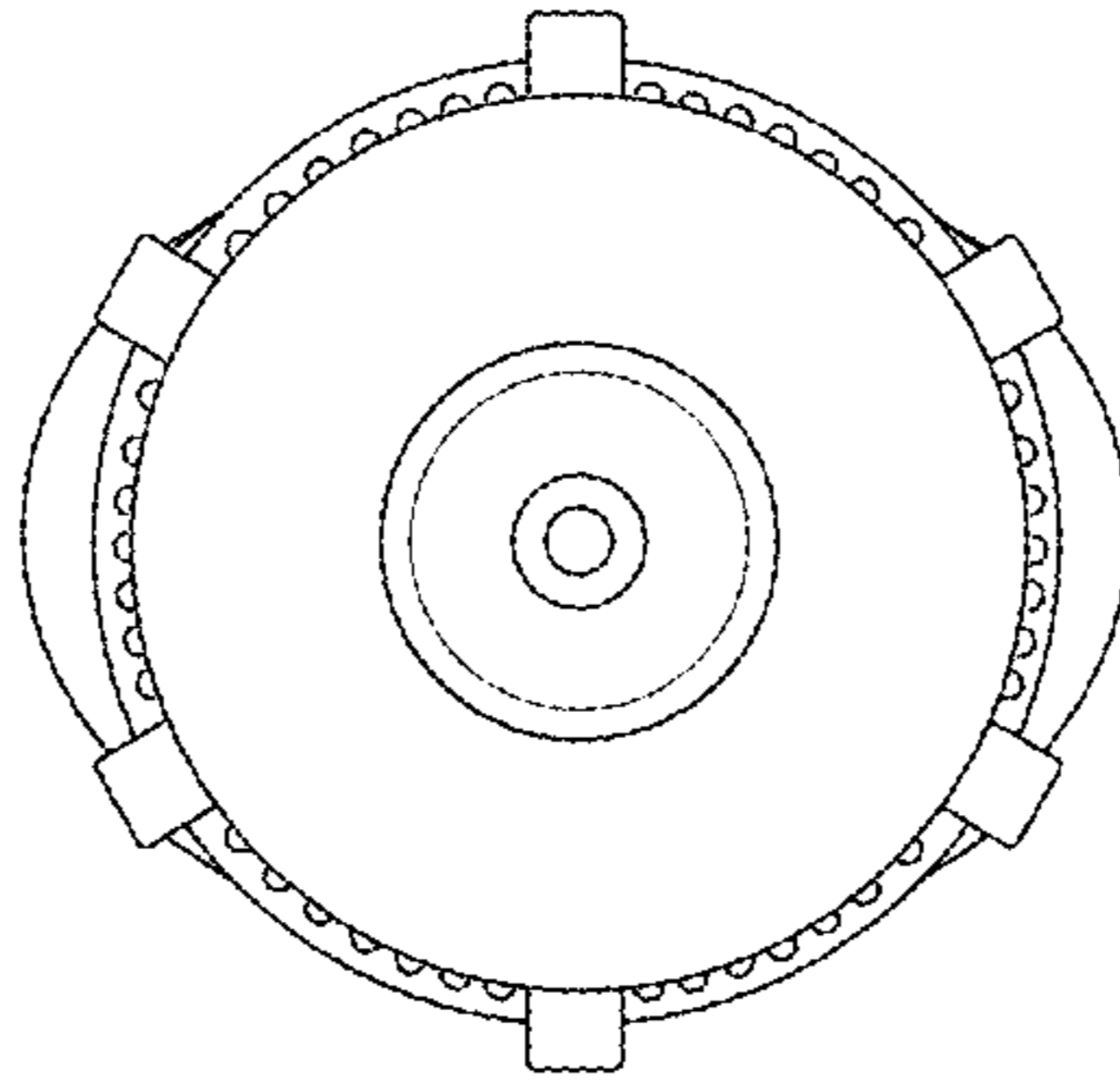


FIG. 2

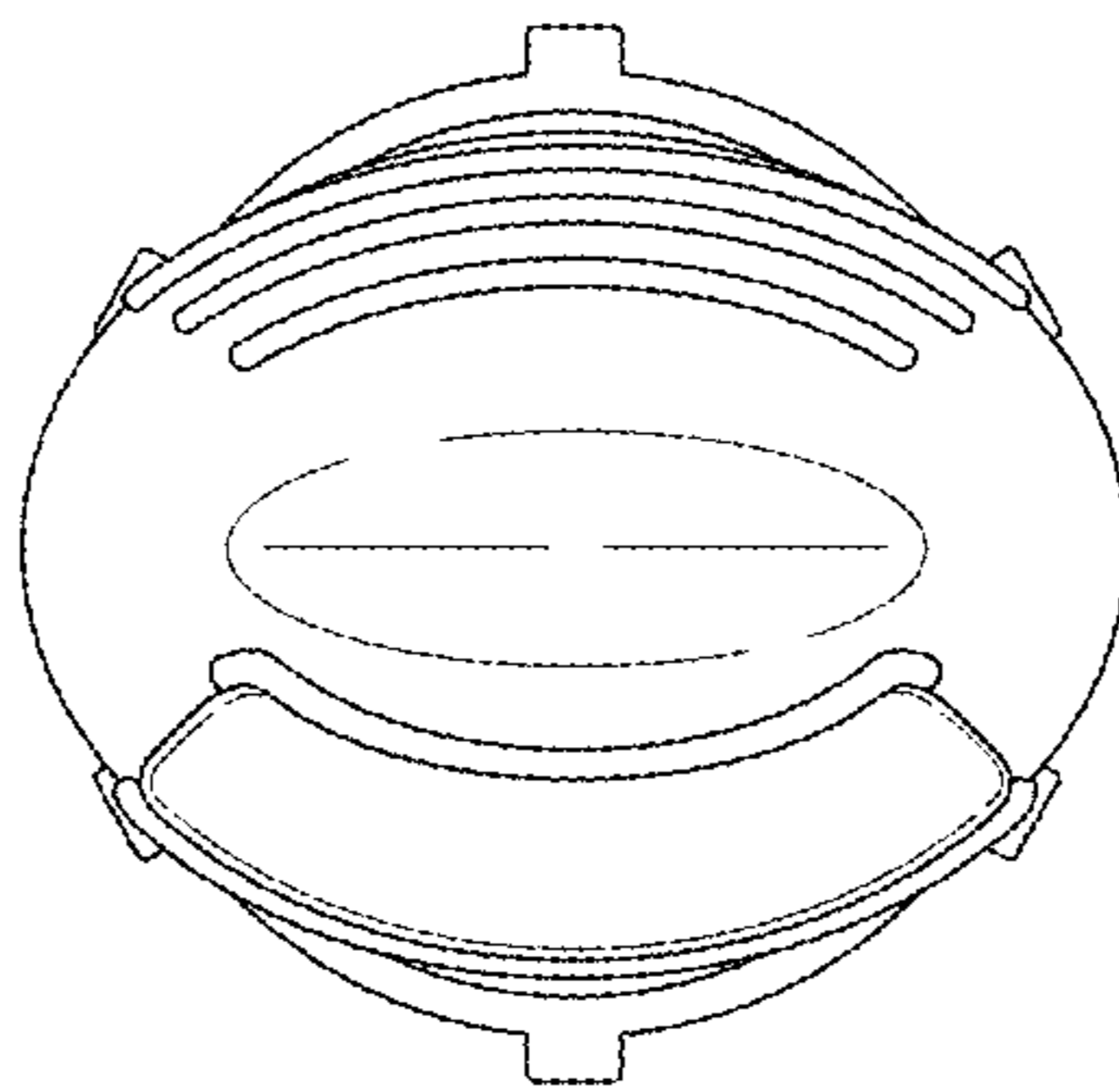


FIG. 3

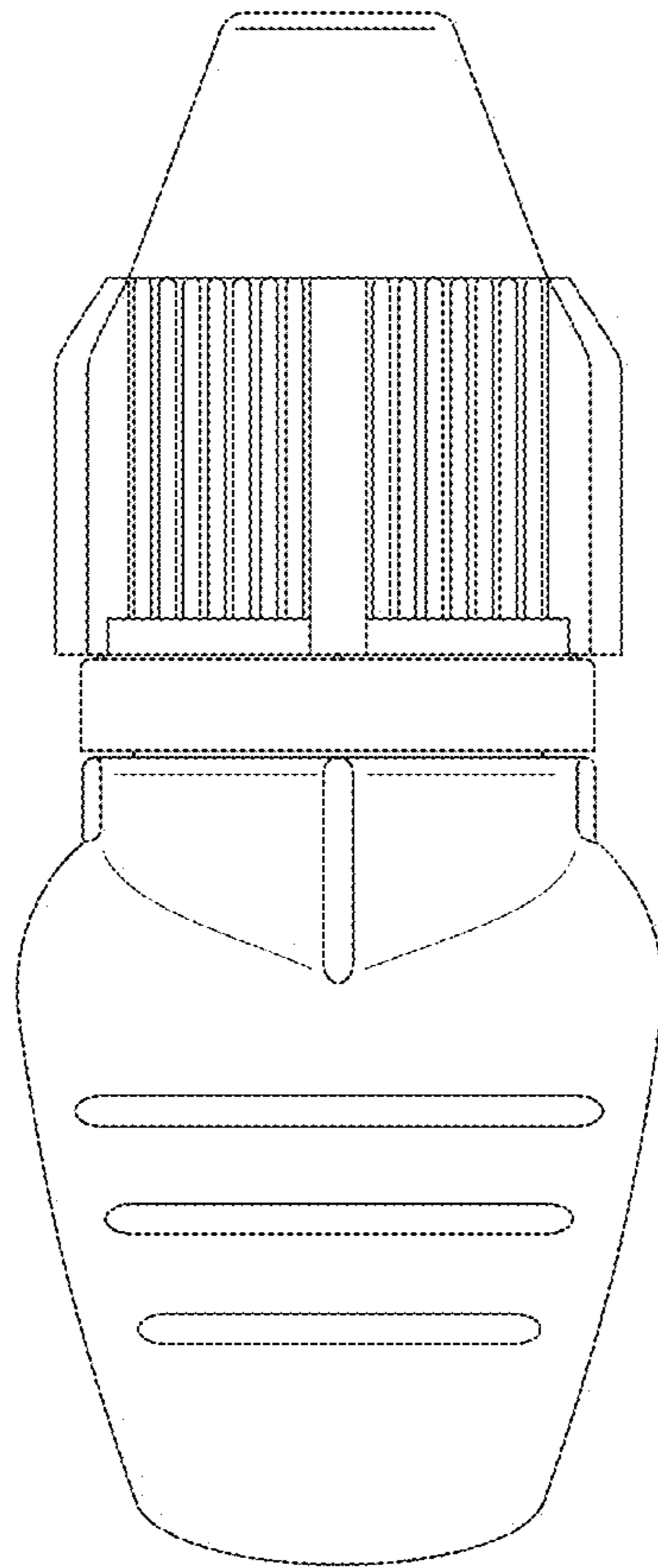


FIG. 4

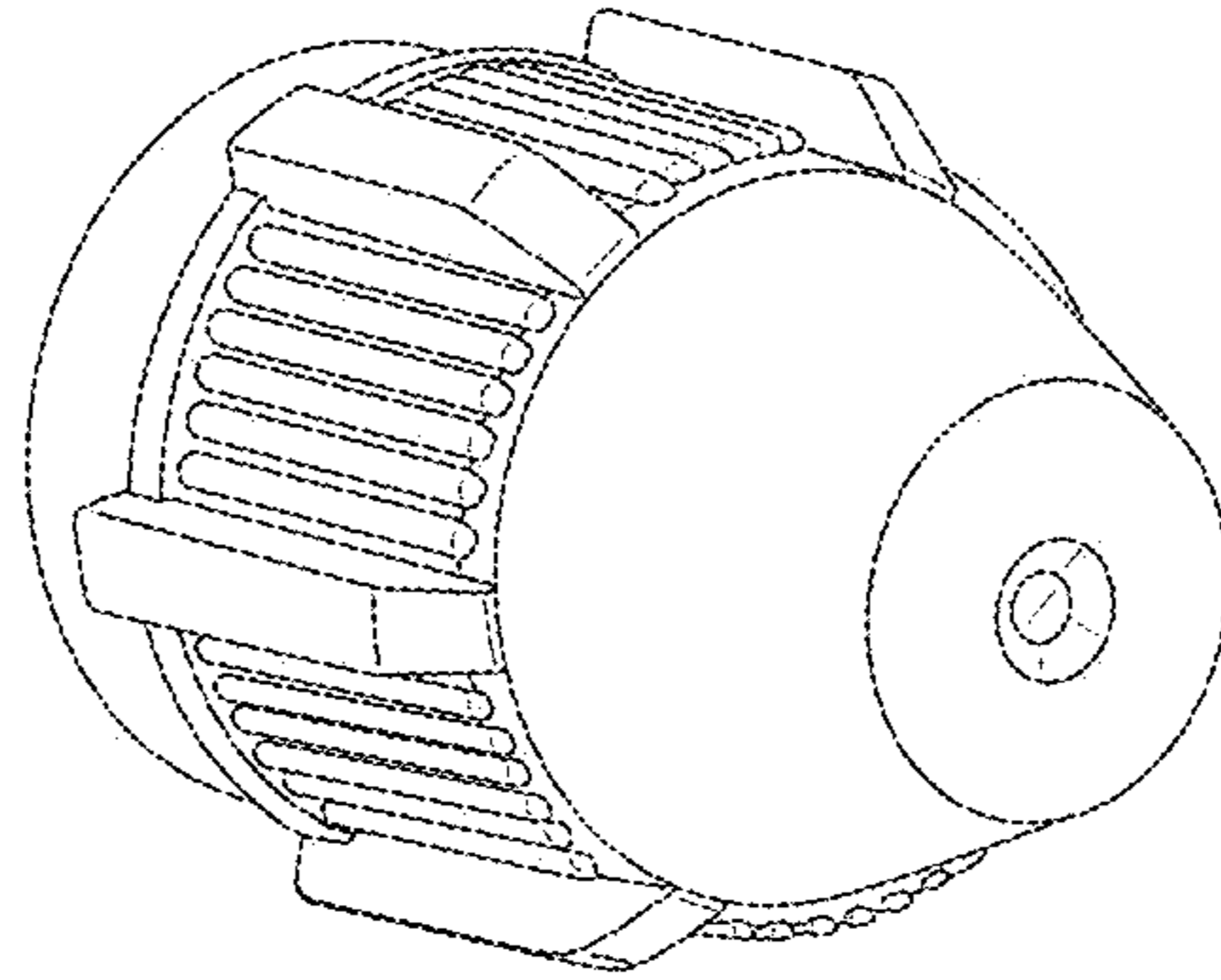


FIG. 6

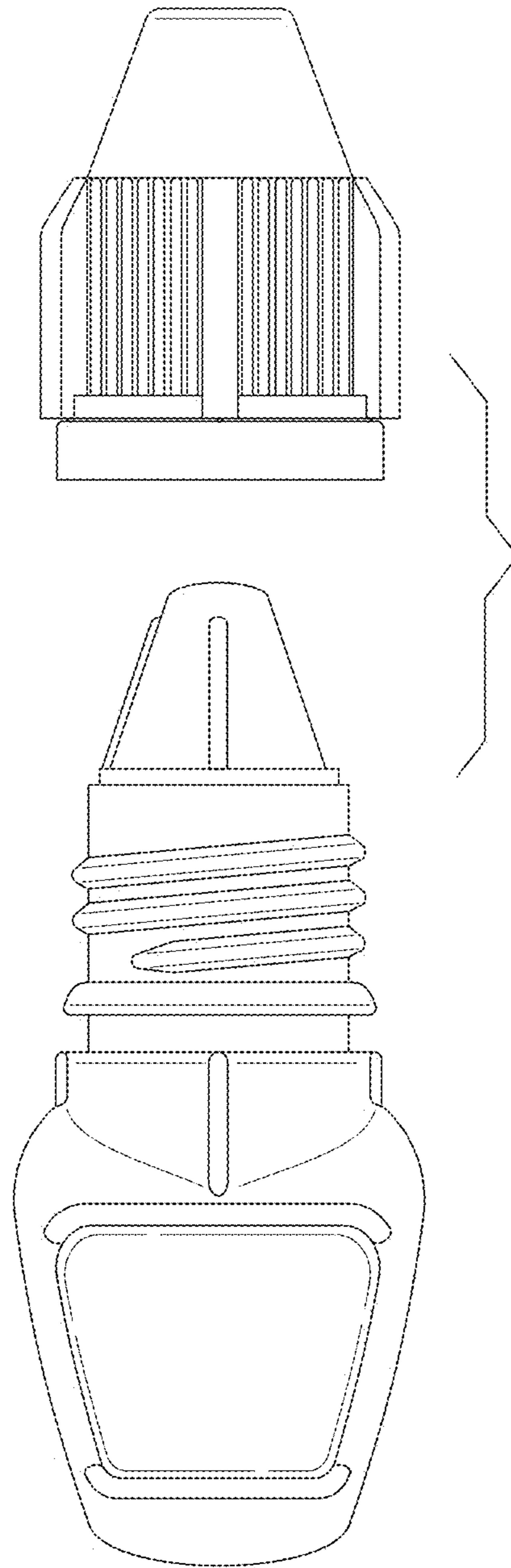


FIG. 7

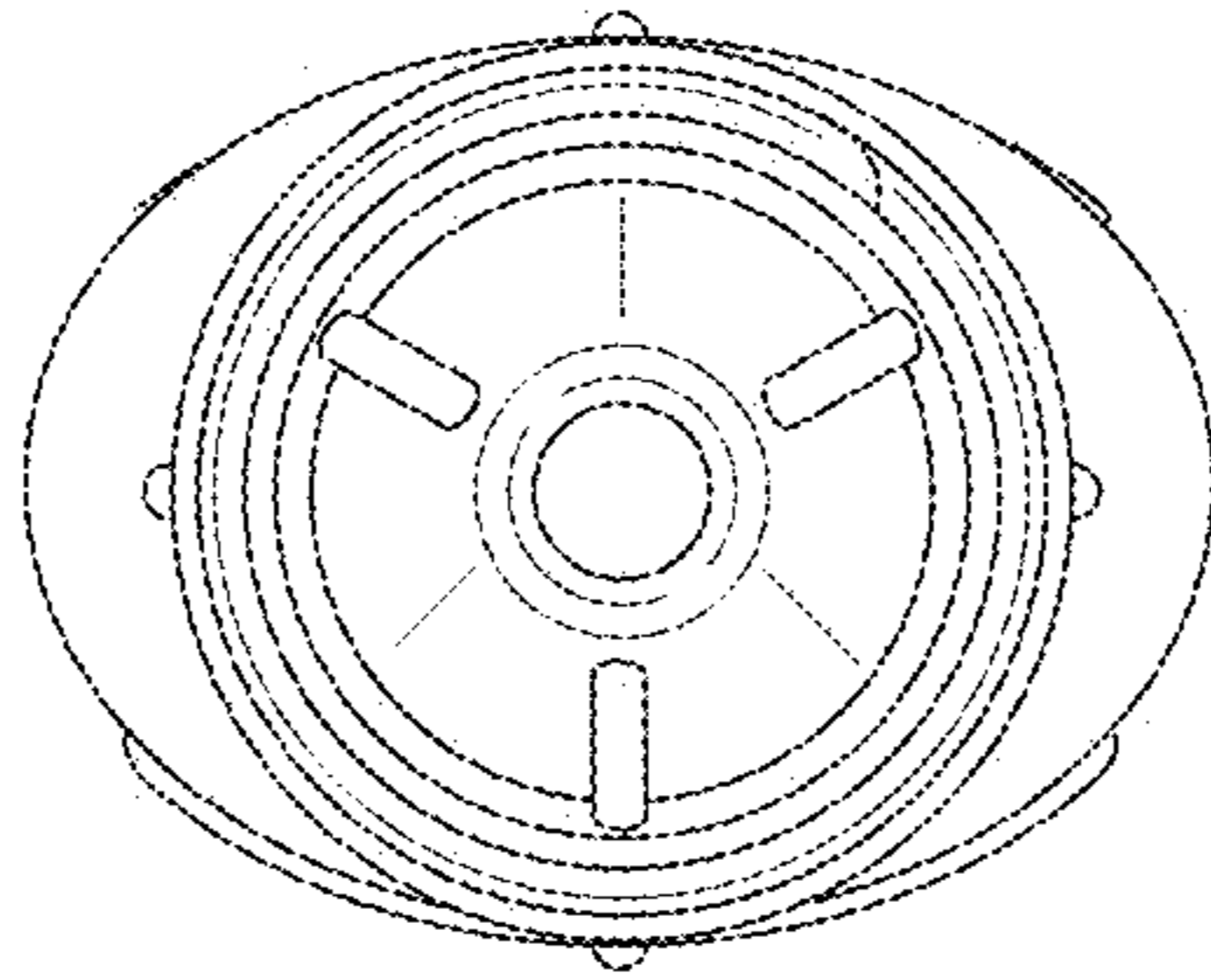


FIG. 8

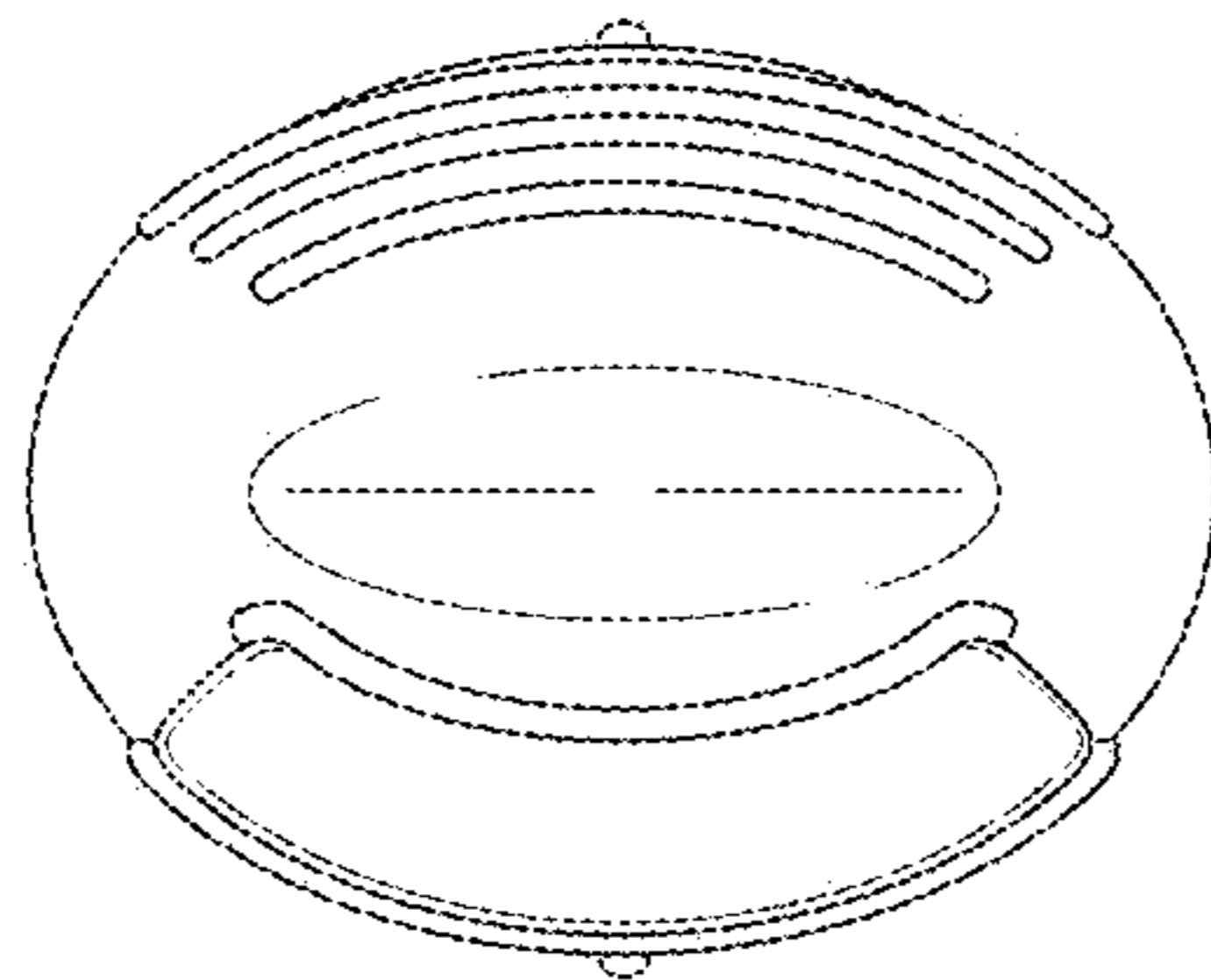


FIG. 9