



US00D935045S

(12) **United States Design Patent**
Zhang

(10) **Patent No.:** **US D935,045 S**
(45) **Date of Patent:** **** Nov. 2, 2021**

(54) **VIBRATION PERCUSSION DEVICE**

(71) Applicant: **Sichuan Qianli-beoka Medical Technology Inc., Sichuan (CN)**

(72) Inventor: **Wen Zhang, Sichuan (CN)**

(73) Assignee: **Sichuan Qianli-beoka Medical Technology Inc., Chengdu (CN)**

(**) Term: **15 Years**

(21) Appl. No.: **29/712,434**

(22) Filed: **Nov. 8, 2019**

(30) **Foreign Application Priority Data**

Sep. 11, 2019 (CN) 201930501216.X

(51) **LOC (13) Cl.** **28-03**

(52) **U.S. Cl.**
USPC **D24/215**

(58) **Field of Classification Search**
USPC D24/215, 200, 211, 212, 213, 214, 133,
D24/188, 107, 231; D8/14.1; D28/13
CPC A61H 9/00; A61H 9/005; A61H 9/0007;
A61H 2015/0007; A61H 2015/0042;
A61H 2015/0092; A61H 15/0092; A61H
23/00; A61H 23/006; A61H 2023/002;
A61H 23/06; A61H 23/0254; A61H
23/02; A61H 2201/0153; A61H
2201/0157; A61H 7/005; A61H 7/003;
A61H 1/00; A61H 1/008

See application file for complete search history.

(56) **References Cited**

U.S. PATENT DOCUMENTS

D641,220 S * 7/2011 Shi D8/29.1
D829,519 S * 10/2018 Teraoka D8/29.1
D843,656 S * 3/2019 Zhang D28/44.1

10,314,762 B1 * 6/2019 Marton A61H 23/006
D884,205 S * 5/2020 Zhuang D24/215
D895,829 S * 9/2020 Hu D24/215
2013/0270302 A1 * 10/2013 Hsu B05B 12/002
222/333
2019/0159961 A1 * 5/2019 Chuang A61H 23/006
2019/0175434 A1 * 6/2019 Zhang A61H 23/06
2021/0022951 A1 * 1/2021 Hu A61H 1/006

OTHER PUBLICATIONS

Massage gun DMS. Date: Not listed, [online]. [Site visited Apr. 14, 2021]. Available from Internet URL: <http://www.beoka.com/en/a/chanpin/lvxingxilie/2020/0617/31.html> (Year: NA).
Vibevo2 Handheld Percussion Massage Gun. Date: Jun. 23, 2019. [online]. [Site visited Apr. 21, 2021]. Available from Internet URL: <https://www.amazon.com/dp/B07T9WTZH4> (Year: 2019).*

(Continued)

Primary Examiner — Susan Bennett Hattan
Assistant Examiner — Landon Thomas Cassell

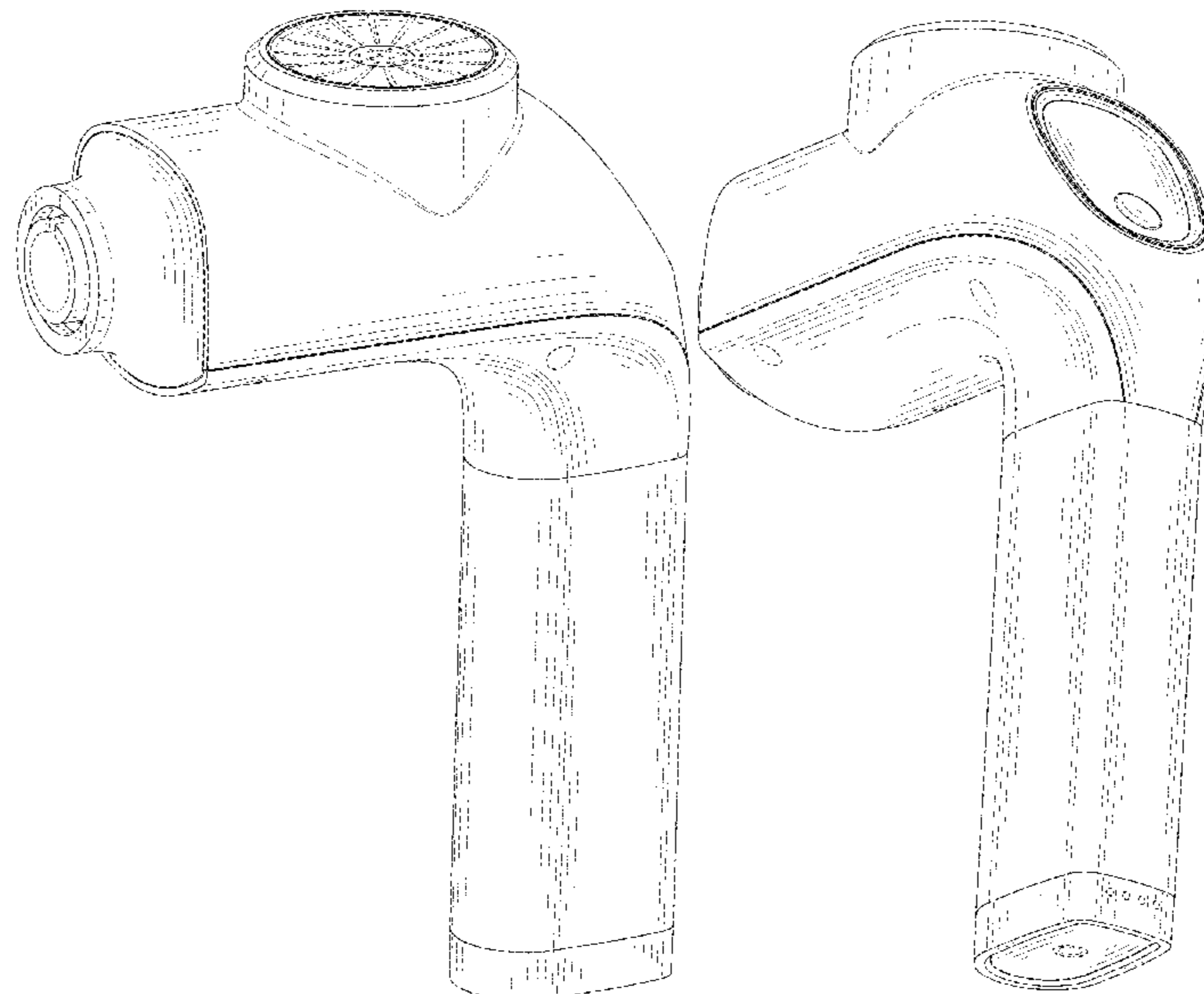
(57) **CLAIM**

The ornamental design for a vibration percussion device, as shown and described.

DESCRIPTION

FIG. 1 is a top, front and right side perspective view of a vibration percussion device showing my new design; FIG. 2 is a bottom, rear and right side perspective view thereof; FIG. 3 is a front elevational view thereof; FIG. 4 is a rear elevational view thereof; FIG. 5 is a left side view thereof; FIG. 6 is a right side view thereof; FIG. 7 is a top plan view thereof; and, FIG. 8 is a bottom plan view thereof. The broken lines in the drawings illustrate portions of the vibration percussion device which form no part of the claimed design.

1 Claim, 8 Drawing Sheets



(56)

References Cited

OTHER PUBLICATIONS

Vibration percussion devices. (Design—© Questel) orbit.com. [Online PDF compilation of references] 34 pgs. Print Dates Range Jan. 24, 2019-May 17, 2019 [Retrieved Apr. 14, 2021] <https://www.orbit.com/export/UCZAH96B/pdf4/b268ba75-2954-4910-ad5b-ce9c4d741070-211945.pdf> (Year: 2021).*

* cited by examiner

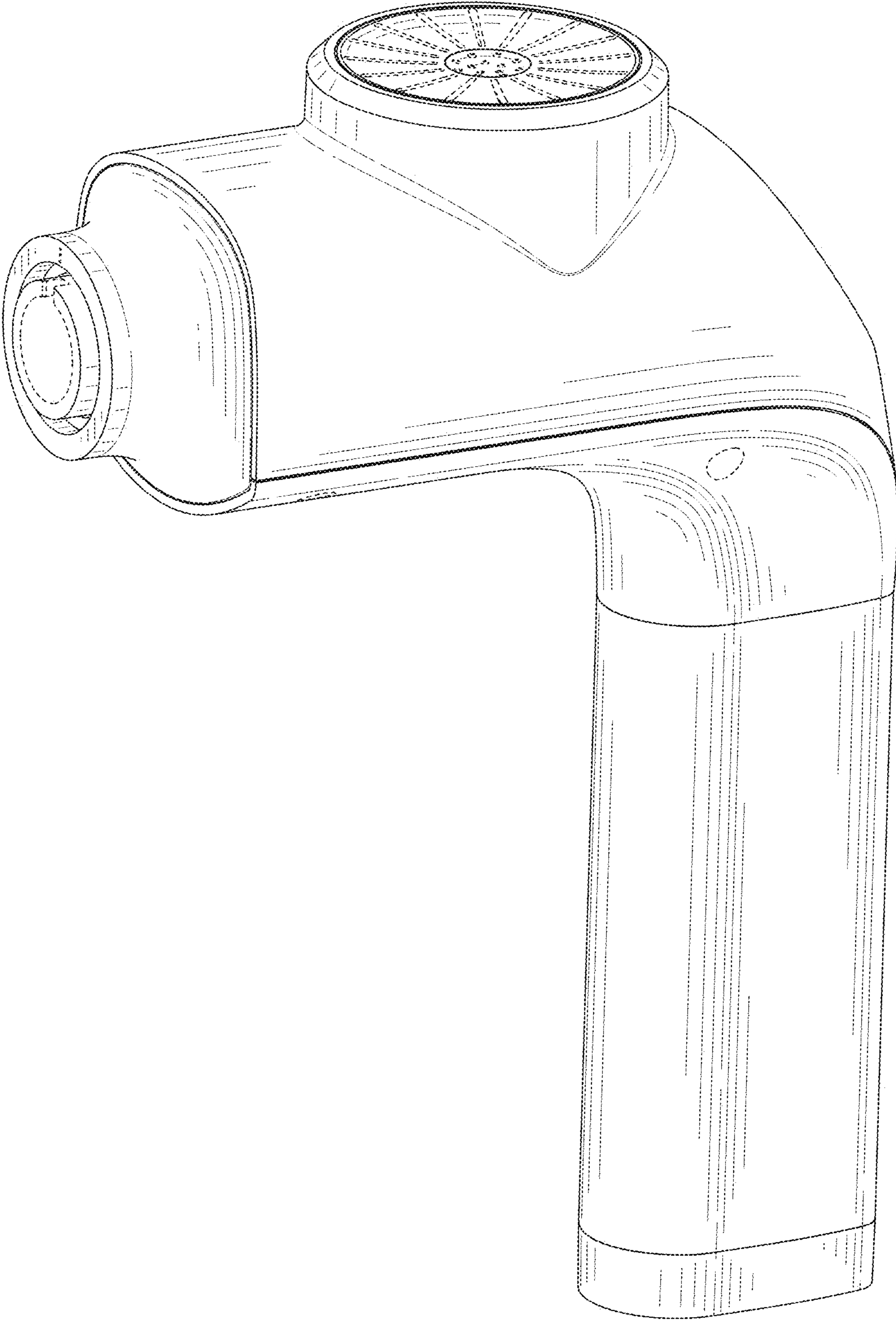


FIG. 1

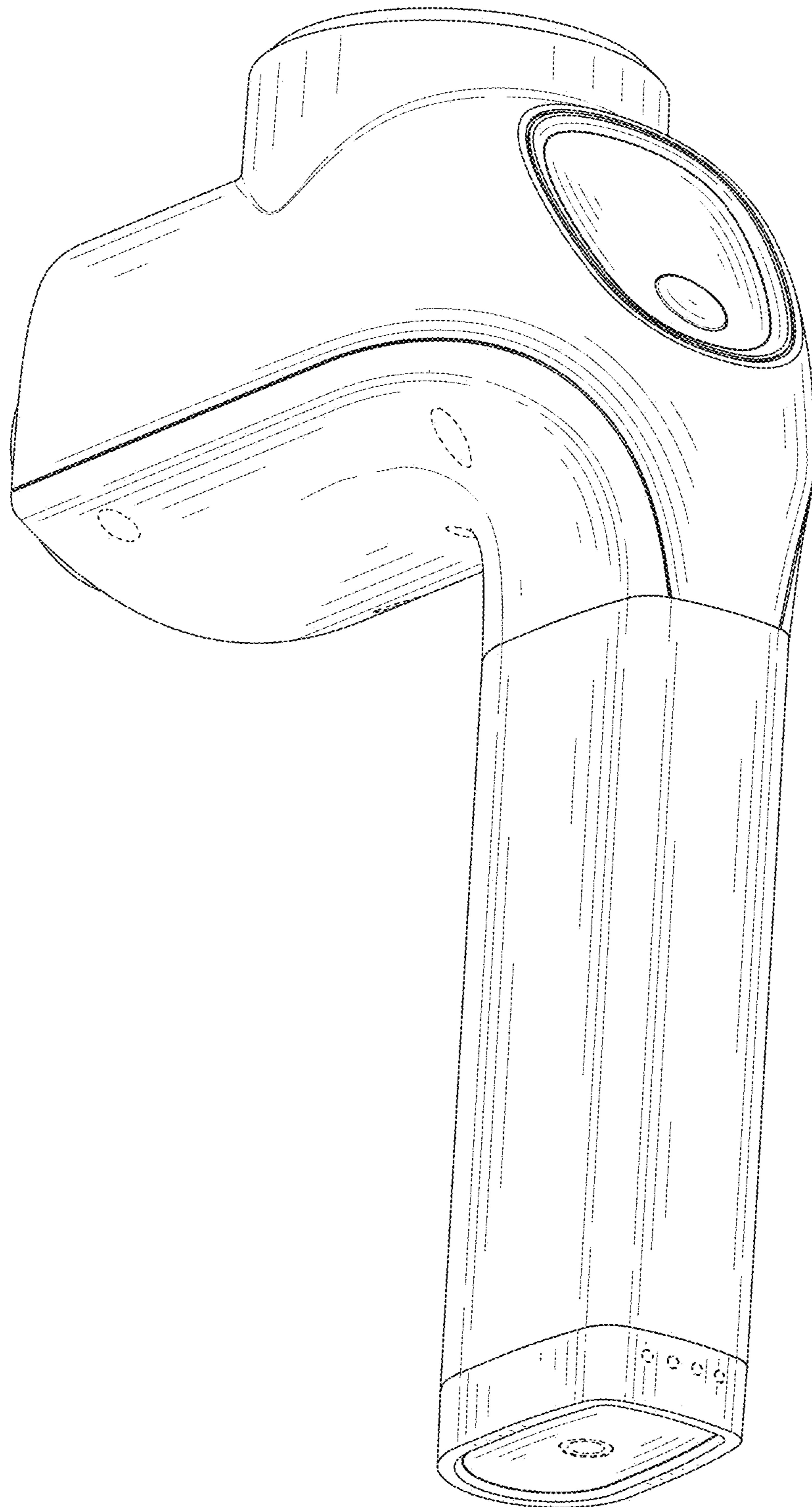


FIG. 2

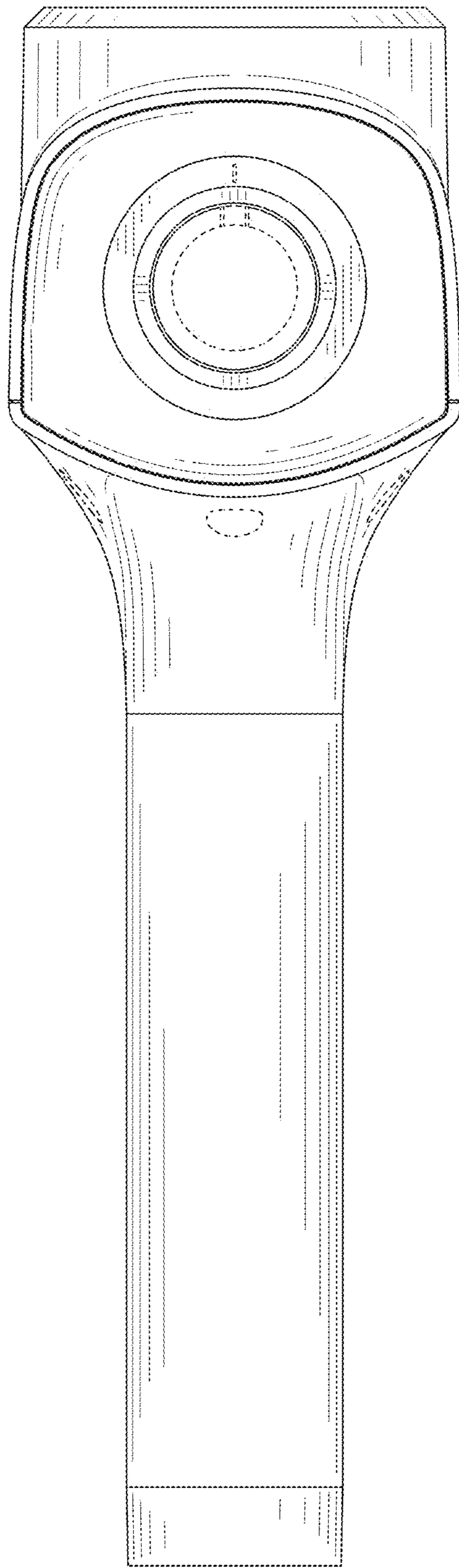


FIG. 3

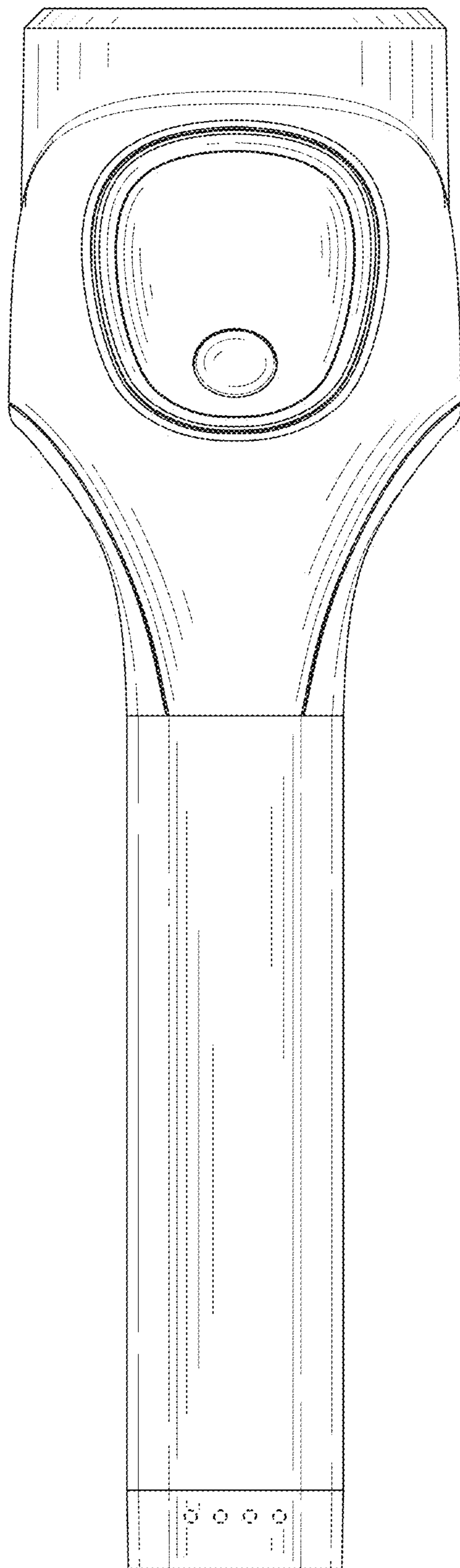


FIG. 4

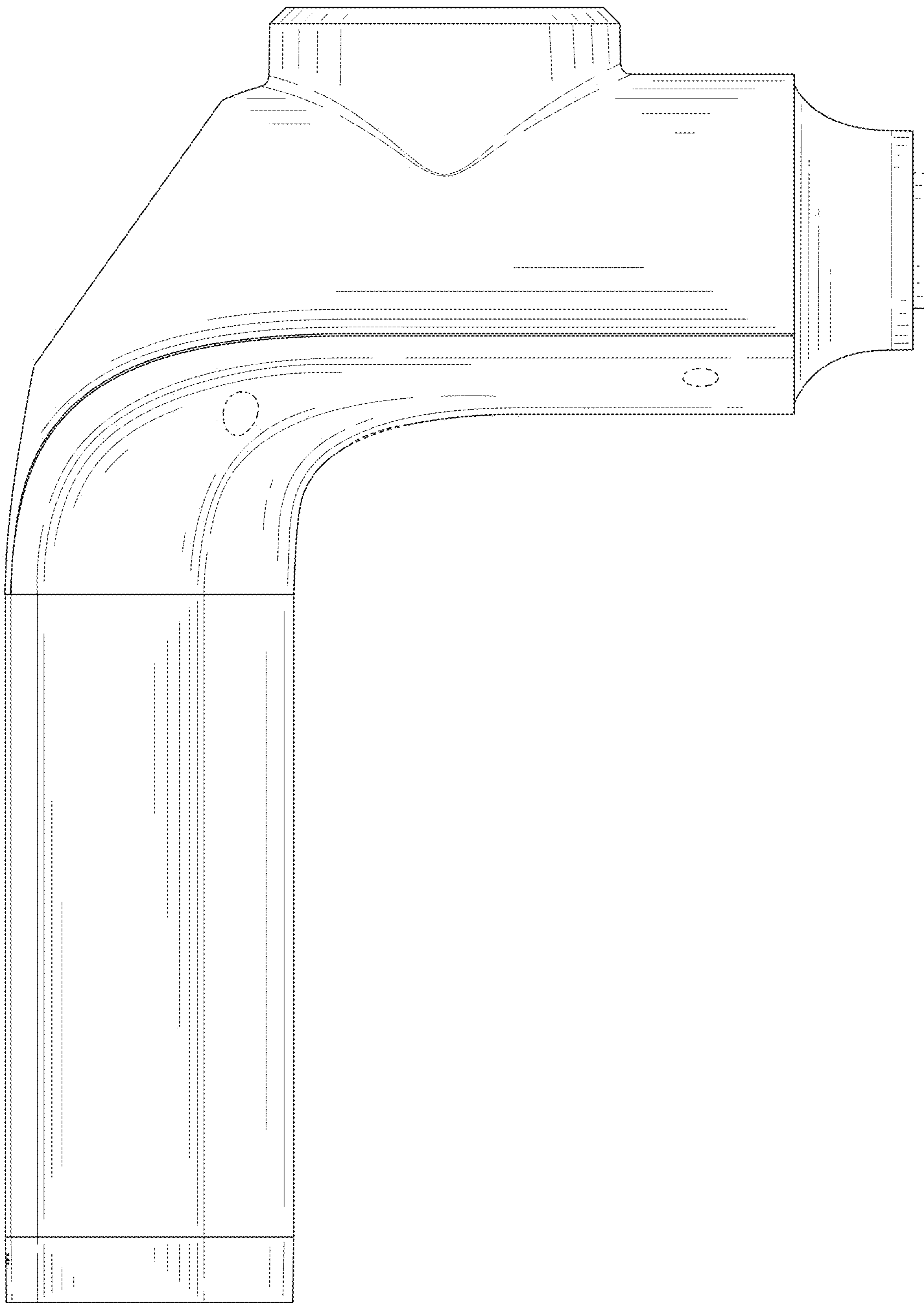


FIG. 5

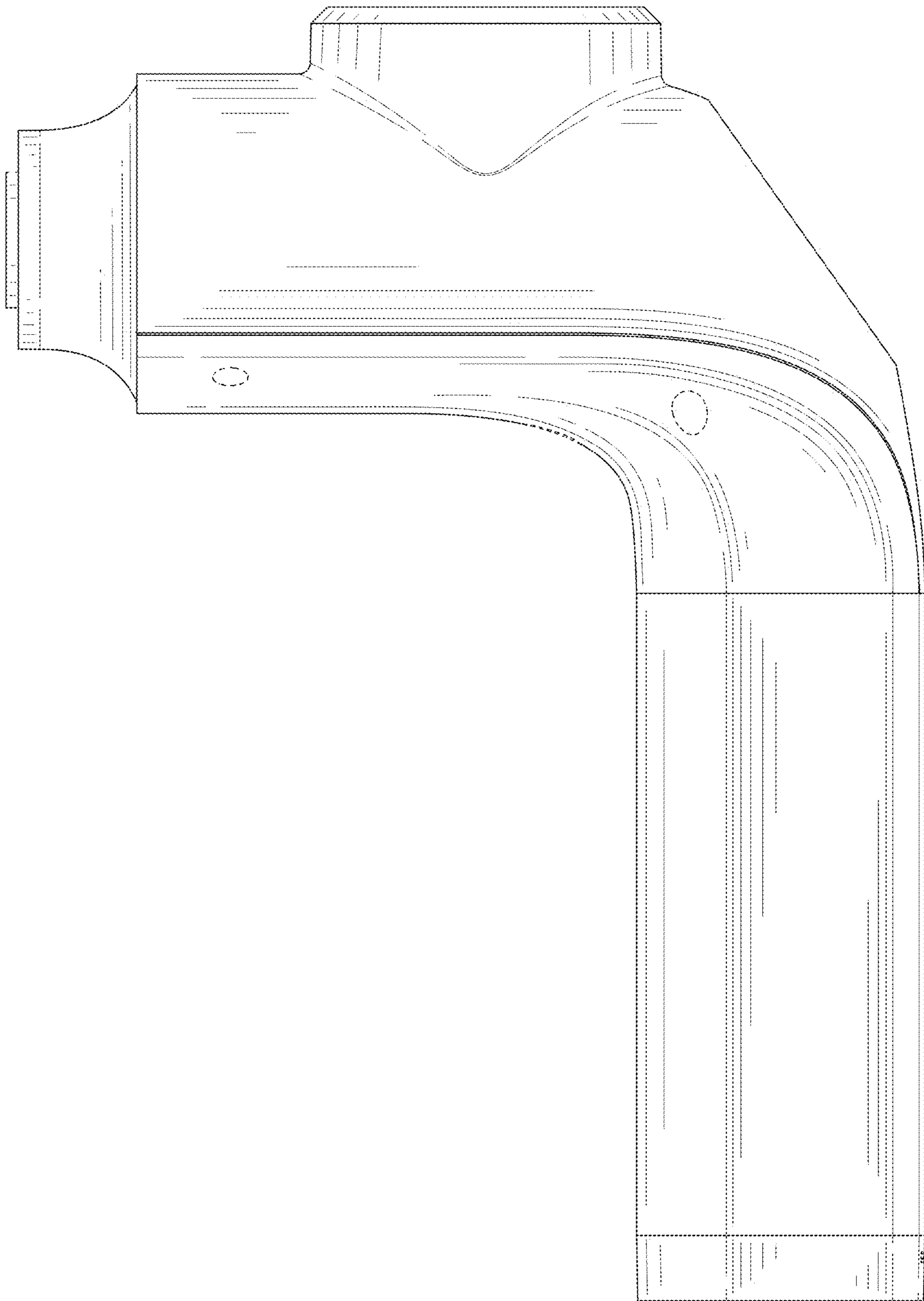


FIG. 6

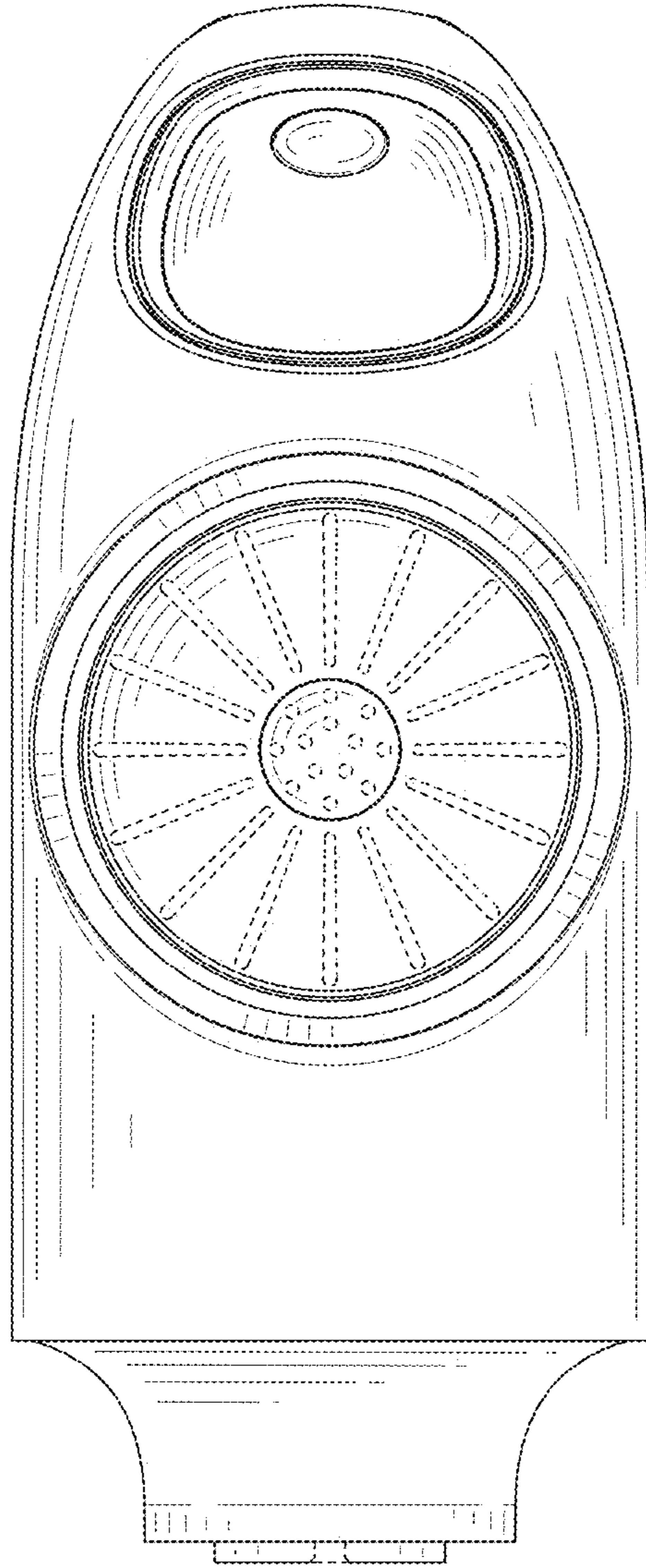


FIG. 7

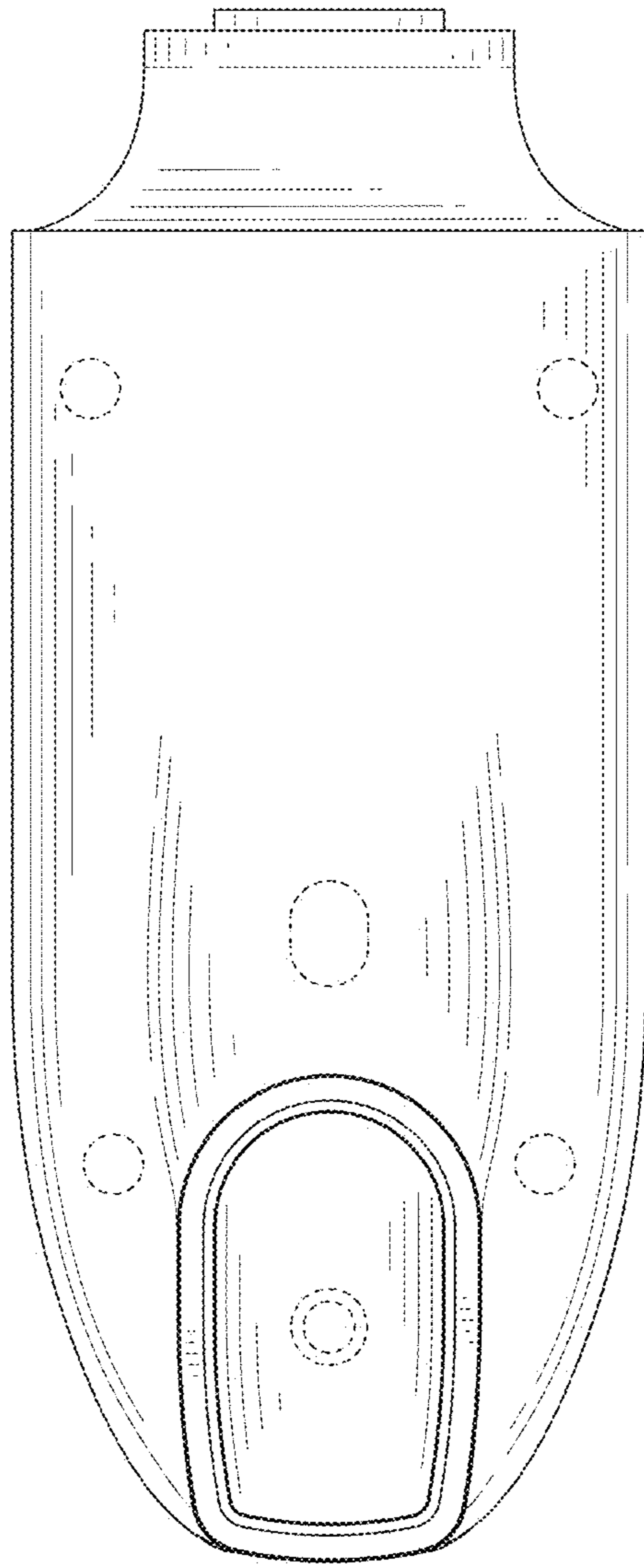


FIG. 8