



US00D935035S

(12) **United States Design Patent** (10) **Patent No.:** **US D935,035 S**
Cowart et al. (45) **Date of Patent:** **** Nov. 2, 2021**

(54) **NEGATIVE PRESSURE WOUND THERAPY CANISTER**

FOREIGN PATENT DOCUMENTS

(71) Applicant: **DeRoyal Industries, Inc.**, Powell, TN (US)

CN 306330617 * 2/2021
EM 008159347-0001 * 9/2020
GB 9008159347-0001 * 9/2020

(72) Inventors: **Walter Cleveland Cowart**, Blaine, TN (US); **Scott Douglas Barnes**, Knoxville, TN (US); **Vincent Denis Jardret**, Powell, TN (US); **Jonathan Matthew Cayce**, Knoxville, TN (US); **Dhanvin Sunil Desai**, Knoxville, TN (US); **Joe Lowell Smith**, Powell, TN (US); **Breanna Julia Rhyne**, Powell, TN (US)

OTHER PUBLICATIONS

Pro-II® large canister setup, DeRoyal, Youtube, [Post Date Jan. 19, 2017], [Site visited Aug. 25, 2021], Seen at URL: <https://www.youtube.com/watch?v=VICfPcRUBKg>, (Year: 2017).*

(Continued)

(73) Assignee: **DeRoyal Industries, Inc.**

Primary Examiner — Natasha Vujcic

Assistant Examiner — Gilbert B Ford

(74) *Attorney, Agent, or Firm* — Ludeka Neely Group, P.C.

(**) Term: **15 Years**

(57) **CLAIM**

(21) Appl. No.: **29/726,788**

The ornamental design for a negative pressure wound therapy canister, as shown and described.

(22) Filed: **Mar. 5, 2020**

DESCRIPTION

(51) **LOC (13) Cl.** **24-02**

(52) **U.S. Cl.**
USPC **D24/189**; D24/108; D24/111

(58) **Field of Classification Search**
USPC D24/111, 108, 117, 127, 121, 129, 216, D24/145, 146, 147, 169, 186
CPC A61M 3/0279; A61M 39/105; A61M 1/86; A61M 1/0088; A61M 1/0052
See application file for complete search history.

FIG. 1 is a front perspective view of a negative pressure wound therapy canister of our new design;
FIG. 2 is a front plan view of the negative pressure wound therapy canister of FIG. 1;
FIG. 3 is a rear plan view of the negative pressure wound therapy canister of FIG. 1;
FIG. 4 is a left side view of the negative pressure wound therapy canister of FIG. 1;
FIG. 5 is a right side of the negative pressure wound therapy canister of FIG. 1;
FIG. 6 is a top view of the negative pressure wound therapy canister of FIG. 1; and,
FIG. 7 is a bottom view of the negative pressure wound therapy canister of FIG. 1.
The broken lines in the drawings illustrate portions of the negative pressure wound therapy canister which forms no part of the claimed design.

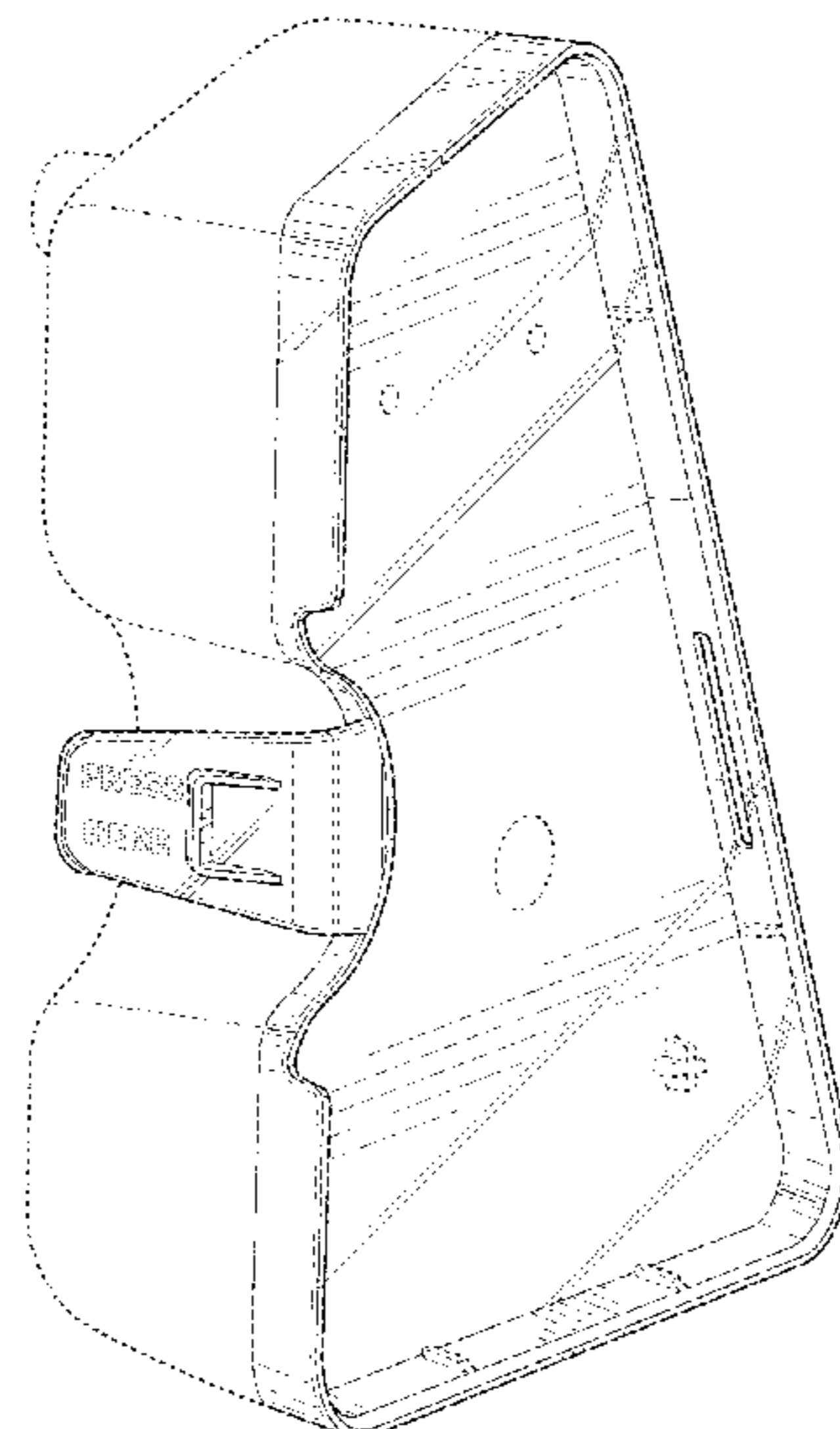
(56) **References Cited**

U.S. PATENT DOCUMENTS

D475,132 S 5/2003 Randolph
D581,042 S 11/2008 Randolph et al.
D581,522 S 11/2008 Randolph et al.
D590,934 S 4/2009 Randolph et al.
D593,676 S 6/2009 Locke et al.
D662,077 S * 6/2012 Deffarges D14/204

(Continued)

1 Claim, 6 Drawing Sheets



(56)

References Cited

U.S. PATENT DOCUMENTS

D675,728 S 2/2013 Tout et al.
 D678,530 S * 3/2013 Khan D24/186
 D742,962 S * 11/2015 O'Reilly D18/56
 9,327,063 B2 5/2016 Locke et al.
 D762,860 S * 8/2016 He D24/186
 D768,295 S * 10/2016 Waters D24/133
 9,463,265 B2 10/2016 Locke et al.
 D800,320 S * 10/2017 Nishikawa D24/186
 D802,744 S * 11/2017 Bjelovuk D24/108
 D813,374 S * 3/2018 Bjelovuk D24/108
 D813,813 S * 3/2018 Marcos Moreira da Silva
 D13/119
 9,956,328 B2 5/2018 Long et al.
 9,987,401 B2 * 6/2018 Chen A61M 1/90
 D844,556 S * 4/2019 Irfan D13/103
 D865,213 S * 10/2019 Dangelo D24/224
 D870,265 S * 12/2019 Bjelovuk D24/108
 D894,395 S * 8/2020 Iida D24/163
 D911,270 S * 2/2021 Li D13/103

D921,575 S * 6/2021 Zhao D13/103
 D922,588 S * 6/2021 Long D24/186
 2016/0250398 A1 * 9/2016 Barr A61M 1/0001
 604/319
 2017/0165405 A1 * 6/2017 Muser A61M 1/0001
 2020/0345903 A1 * 11/2020 Selby A61M 1/0001

OTHER PUBLICATIONS

Negative Pressure Wound/V.A.C.® Therapy Patient Guide , Sas-
 katchewan Health Authority, [Post date unknown], [Site visited
 Aug. 23, 2021], Seen at URL: http://www.rqhealth.ca/rqhr-central/files/ceac_1201.pdf (Year: 2021).*

Medela Invia Liberty Negative Pressure Wound Therapy Canister
 with Solidifier, [Post date unknown], [Site visited Aug. 25, 2021]
 Seen at URL: <https://www.shopwoundcare.com/p-medela-invia-liberty-negative-pressure-wound-therapy-canister-with-solidifier.html?gclid=EAIaIQobChMI3trb2KDH%E2%80%A6> (Year: 2021).*
 Engineering drawings for applicant with confidential information
 redacted, 1 page.

* cited by examiner

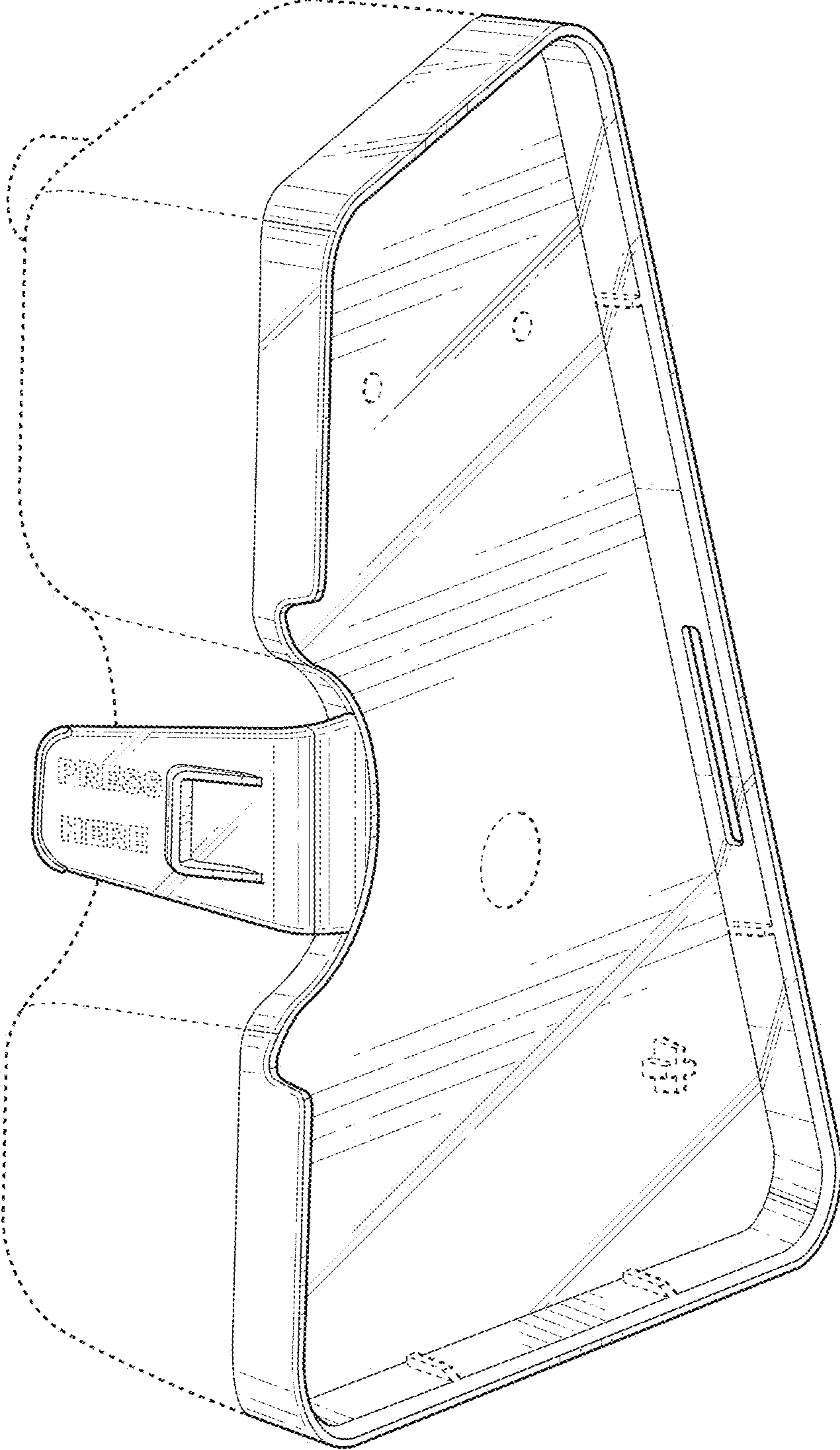


FIG. 1

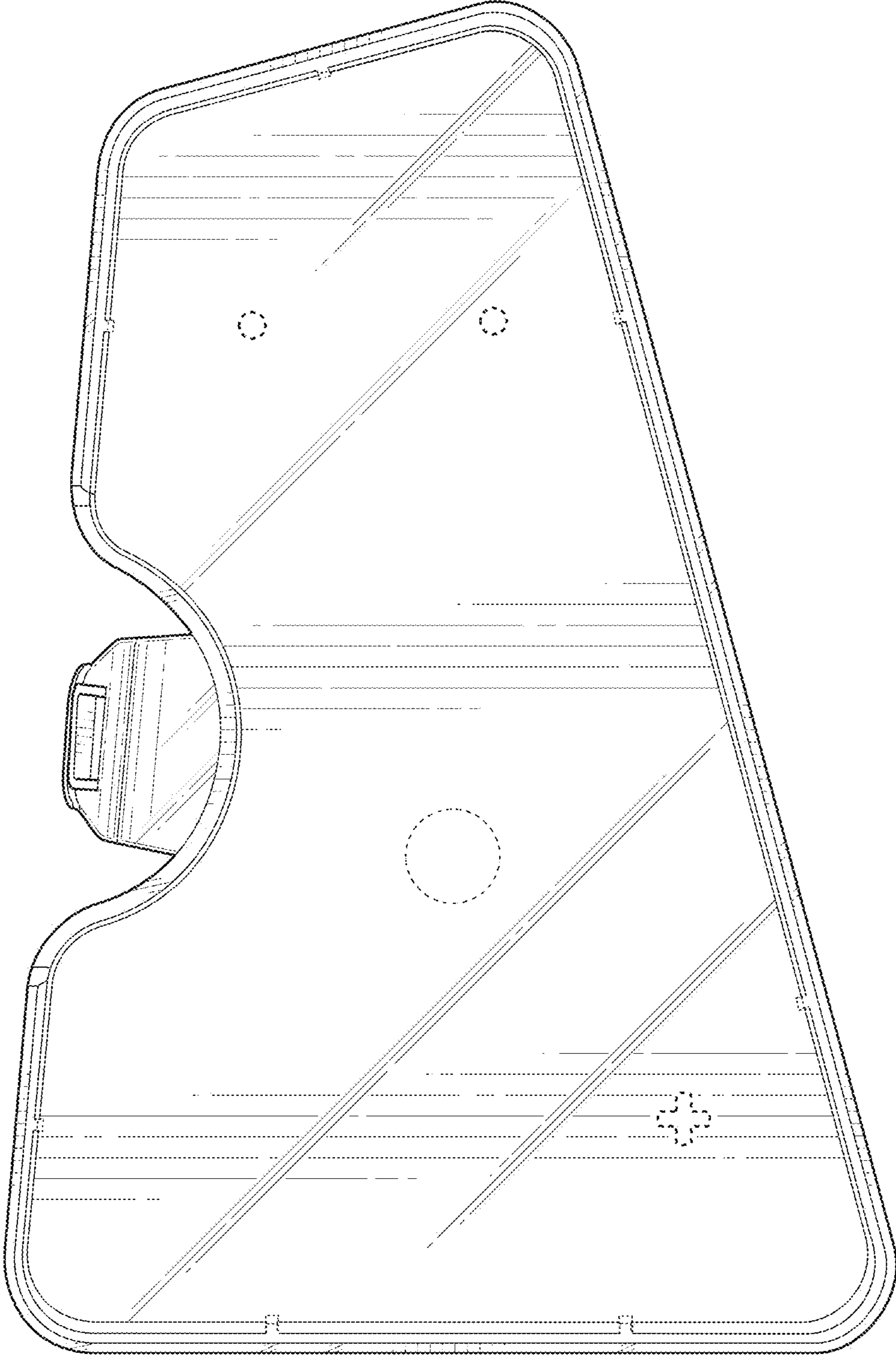


FIG. 2

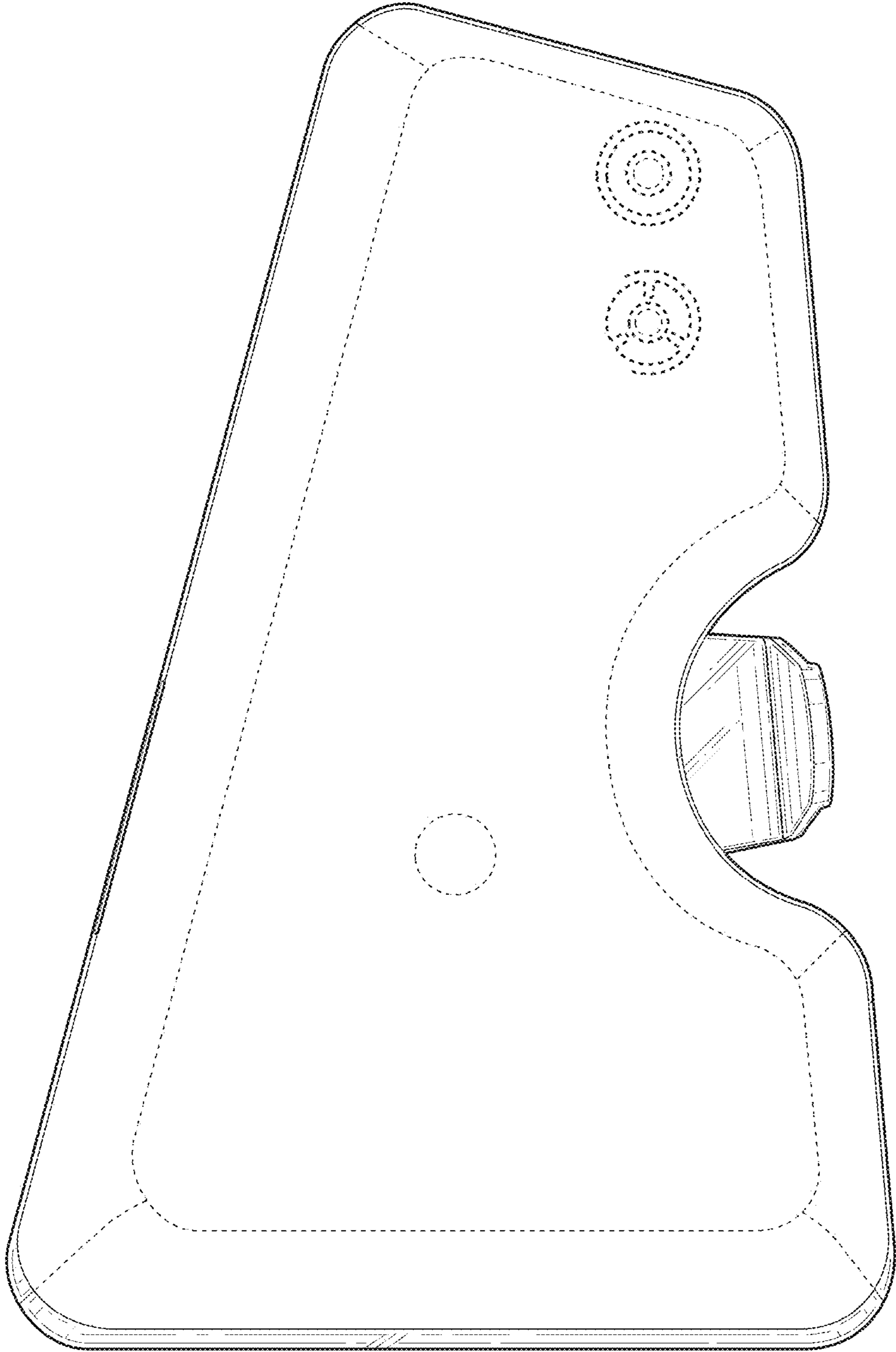


FIG. 3

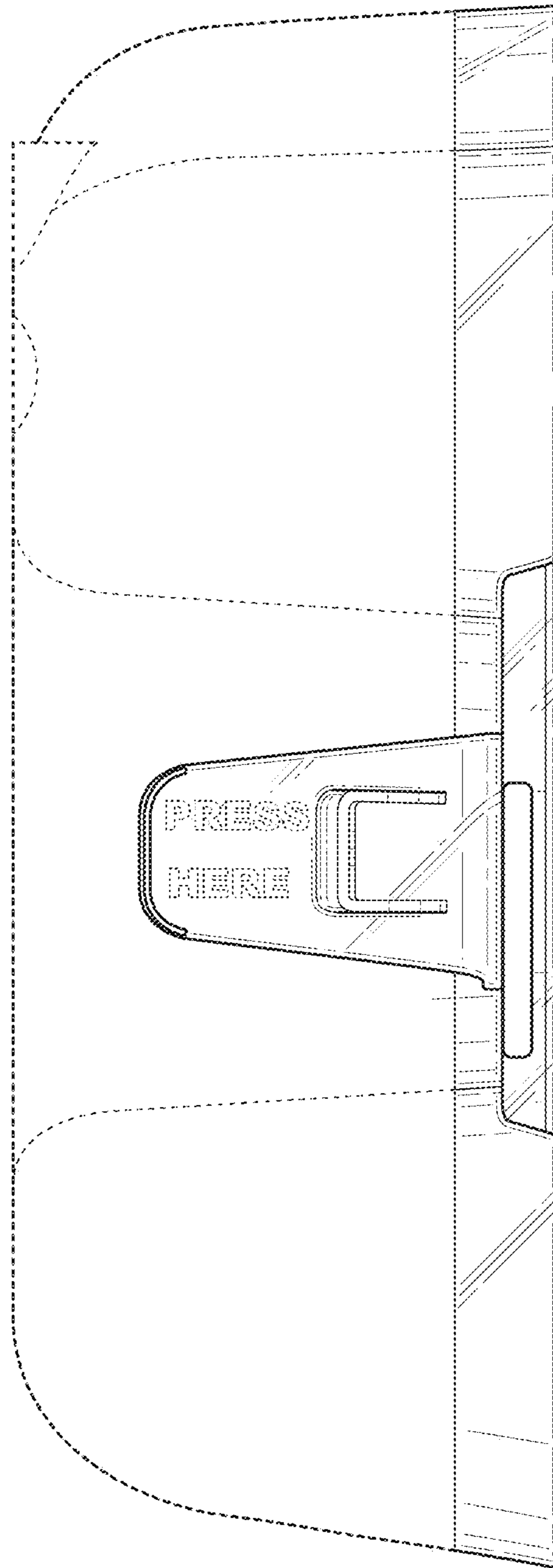


FIG. 4

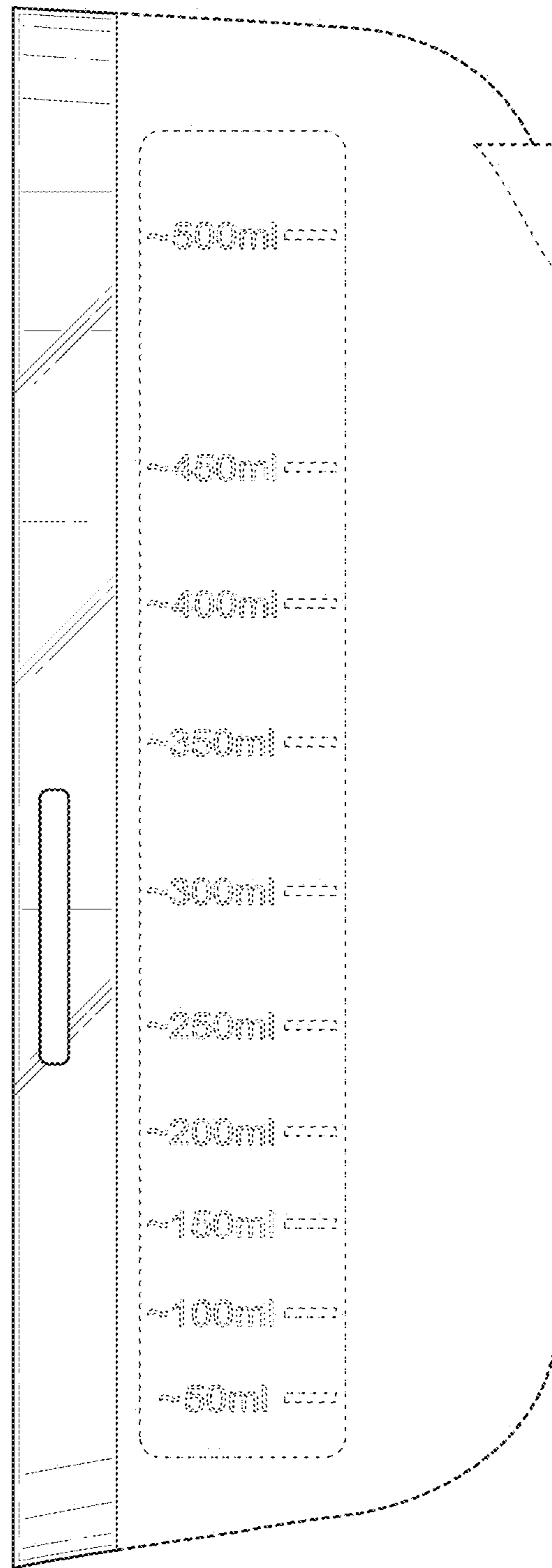


FIG. 5

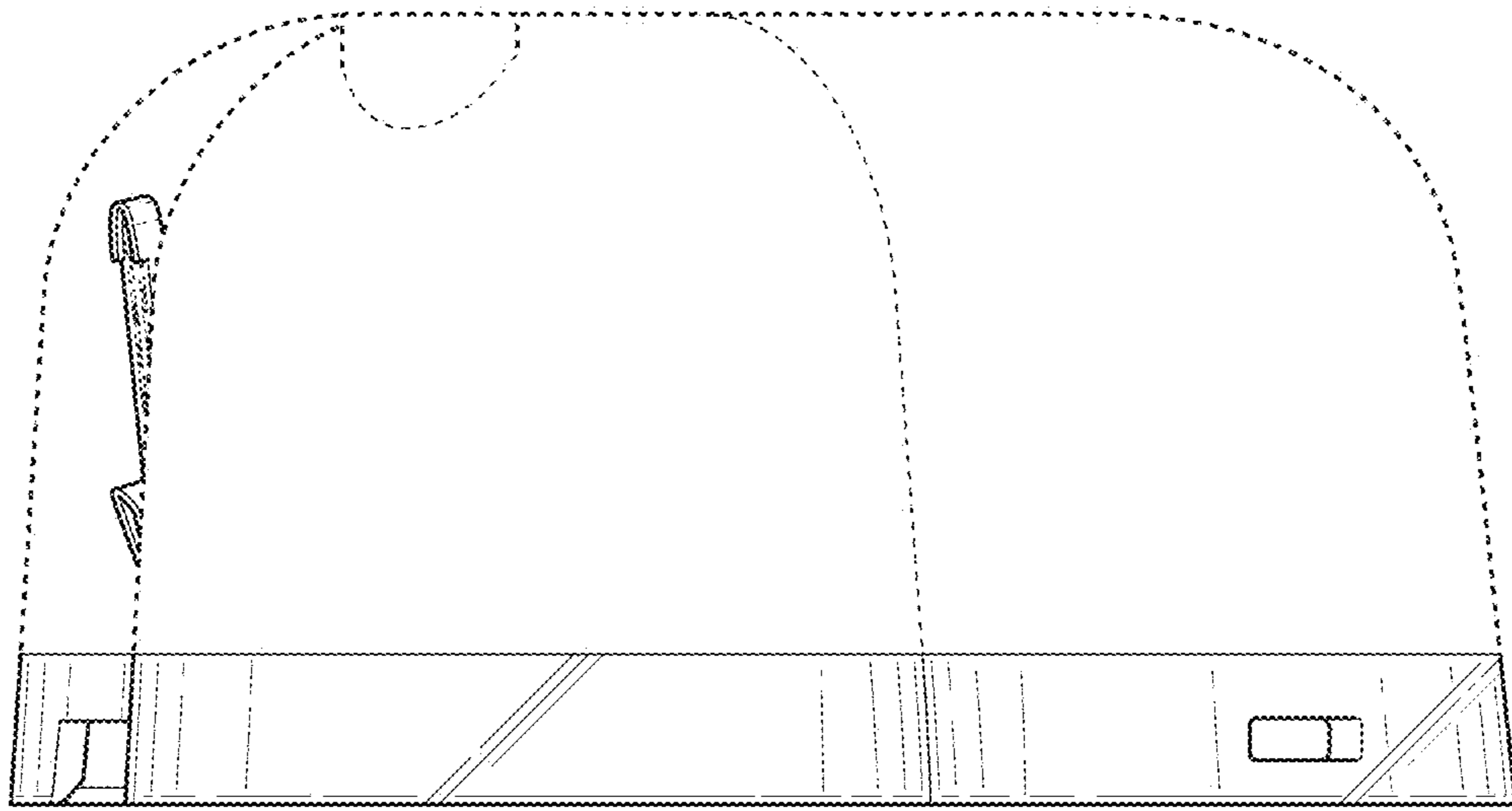


FIG. 6

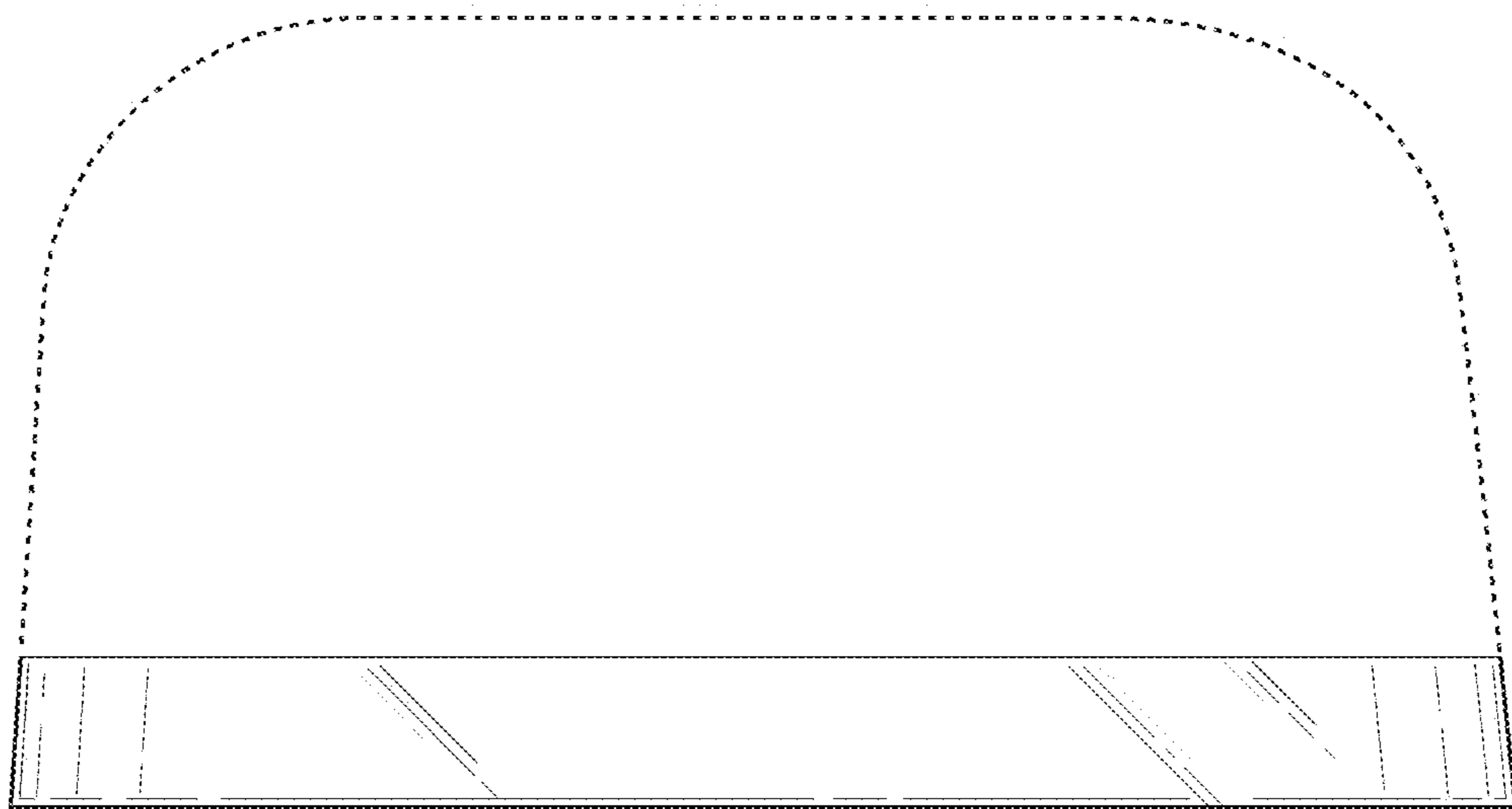


FIG. 7