



US00D935034S

(12) **United States Design Patent** (10) **Patent No.:** **US D935,034 S**  
**Cowart et al.** (45) **Date of Patent:** **\*\* Nov. 2, 2021**

(54) **NEGATIVE PRESSURE WOUND THERAPY CANISTER**

FOREIGN PATENT DOCUMENTS

(71) Applicant: **DeRoyal Industries, Inc.**, Powell, TN (US)

CN 306330617 \* 2/2021  
EM 008159347-0001 \* 9/2020  
GB 9008159347-0001 \* 9/2020

(72) Inventors: **Walter Cleveland Cowart**, Blaine, TN (US); **Scott Douglas Barnes**, Knoxville, TN (US); **Vincent Denis Jardret**, Powell, TN (US); **Jonathan Matthew Cayce**, Knoxville, TN (US); **Dhanvin Sunil Desai**, Knoxville, TN (US); **Joe Lowell Smith**, Powell, TN (US); **Breanna Julia Rhyne**, Powell, TN (US)

OTHER PUBLICATIONS

Pro-II® large canister setup, DeRoyal, Youtube, [Post Date Jan. 19, 2017], [Site visited Aug. 25, 2021]. Seen at URL: <https://www.youtube.com/watch?v=VICfPcRUBKg>, (Year: 2017).\*

(Continued)

(73) Assignee: **DeRoyal Industries, Inc.**, Powell, TN (US)

*Primary Examiner* — Natasha Vujcic  
*Assistant Examiner* — Gilbert B Ford  
(74) *Attorney, Agent, or Firm* — Luedeka Neely Group, P.C.

(\*\*) Term: **15 Years**

(57) **CLAIM**

The ornamental design for a negative pressure wound therapy canister, as shown and described.

(21) Appl. No.: **29/726,786**

**DESCRIPTION**

(22) Filed: **Mar. 5, 2020**

(51) **LOC (13) Cl.** ..... **24-02**

(52) **U.S. Cl.**  
USPC ..... **D24/189**; D24/108; D24/111

(58) **Field of Classification Search**  
USPC ..... D24/111, 108, 117, 127, 129, 145, 146, D24/147, 169, 186, 216  
CPC .... A61M 3/0279; A61M 39/105; A61M 1/86; A61M 1/0088; A61M 1/0052  
See application file for complete search history.

FIG. 1 is a front perspective view of a negative pressure wound therapy canister of our new design;  
FIG. 2 is a front plan view of the negative pressure wound therapy canister of FIG. 1;  
FIG. 3 is a rear plan view of the negative pressure wound therapy canister of FIG. 1;  
FIG. 4 is a left side view of the negative pressure wound therapy canister of FIG. 1;  
FIG. 5 is a right side of the negative pressure wound therapy canister of FIG. 1;  
FIG. 6 is a top view of the negative pressure wound therapy canister of FIG. 1; and,  
FIG. 7 is a bottom view of the negative pressure wound therapy canister of FIG. 1.  
The broken lines in the drawings illustrate portions of the negative pressure wound therapy canister which forms no part of the claimed design.

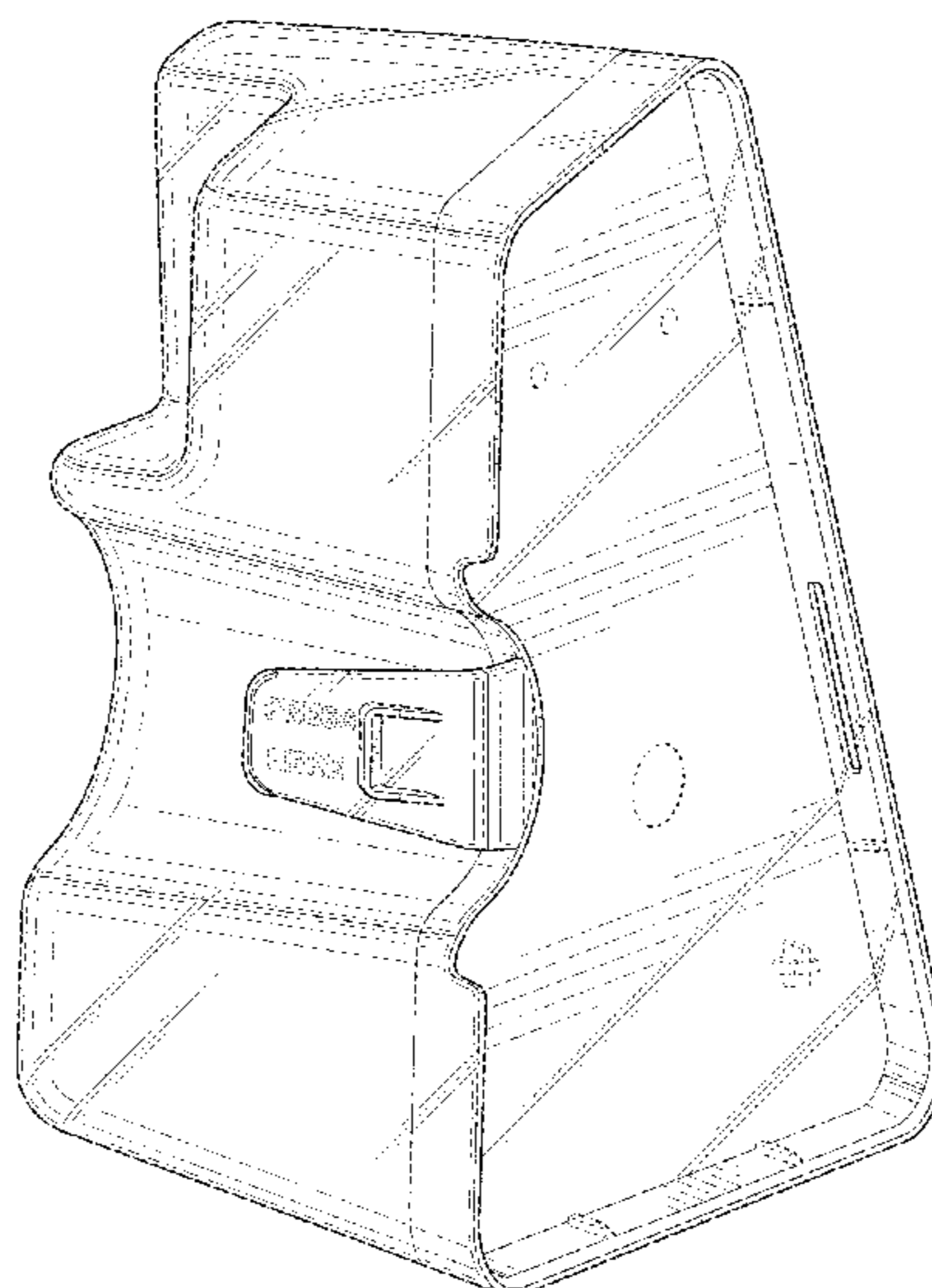
(56) **References Cited**

U.S. PATENT DOCUMENTS

D475,132 S 5/2003 Randolph  
D581,042 S 11/2008 Randolph et al.  
D581,522 S 11/2008 Randolph et al.  
D590,934 S 4/2009 Randolph et al.

(Continued)

**1 Claim, 6 Drawing Sheets**



(56)

**References Cited**

U.S. PATENT DOCUMENTS

D593,676 S 6/2009 Locke et al.  
 D662,077 S \* 6/2012 Deffarges ..... D14/204  
 D675,728 S 2/2013 Tout et al.  
 D678,530 S \* 3/2013 Khan ..... D24/186  
 D742,962 S \* 11/2015 O'Reilly ..... D18/56  
 9,327,063 B2 5/2016 Locke et al.  
 D762,860 S \* 8/2016 He ..... D24/186  
 D768,295 S \* 10/2016 Waters ..... D24/133  
 9,463,265 B2 10/2016 Locke et al.  
 D800,320 S \* 10/2017 Nishikawa ..... D24/186  
 D802,744 S \* 11/2017 Bjelovuk ..... D24/108  
 D813,374 S \* 3/2018 Bjelovuk ..... D24/108  
 D813,813 S \* 3/2018 Marcos Moreira da Silva .....  
 D13/119  
 9,956,328 B2 5/2018 Long et al.  
 9,987,401 B2 \* 6/2018 Chen ..... A61M 1/90  
 D844,556 S \* 4/2019 Irfan ..... D13/103  
 D865,213 S \* 10/2019 Dangelo ..... D24/224  
 D870,265 S \* 12/2019 Bjelovuk ..... D24/108  
 D894,395 S \* 8/2020 Iida ..... D24/163

D911,270 S \* 2/2021 Li ..... D13/103  
 D921,575 S \* 6/2021 Zhao ..... D13/103  
 D922,588 S \* 6/2021 Long ..... D24/186  
 2016/0250398 A1 \* 9/2016 Barr ..... A61M 1/0001  
 604/319  
 2017/0165405 A1 \* 6/2017 Muser ..... A61M 1/0001  
 2020/0345903 A1 \* 11/2020 Selby ..... A61M 1/0001

OTHER PUBLICATIONS

Negative Pressure Wound/V.A.C.® Therapy Patient Guide , Sas-  
 katchewan Health Authority, [Post date unknown], [Site visited  
 Aug. 23, 2021], Seen at URL: [http://www.rqhealth.ca/rqhr-central/files/ceac\\_1201.pdf](http://www.rqhealth.ca/rqhr-central/files/ceac_1201.pdf) (Year: 2021).\*

Medela Invia Liberty Negative Pressure Wound Therapy Canister  
 with Solidifier, [Post date unknown], [Site visited Aug. 25, 2021]  
 Seen at URL: <https://www.shopwoundcare.com/p-medela-invia-liberty-negative-pressure-wound-therapy-canister-with-solidifier.html?gclid=EAIaIQobChMI3trb2KDH%E2%80%A6> (Year: 2021).\*

Engineering drawings for applicant prior art system with confiden-  
 tial information redacted, 1 page.

\* cited by examiner

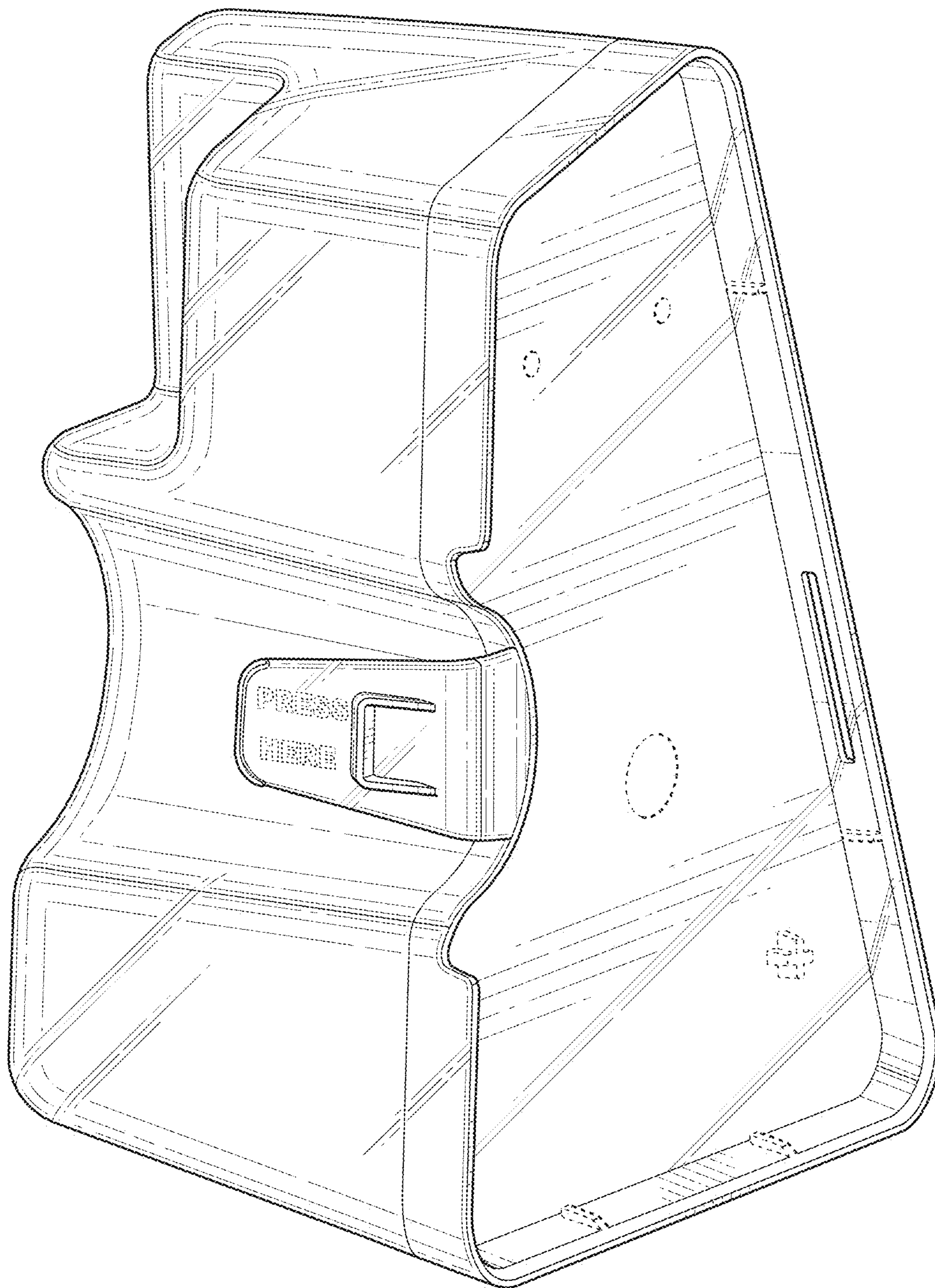


FIG. 1

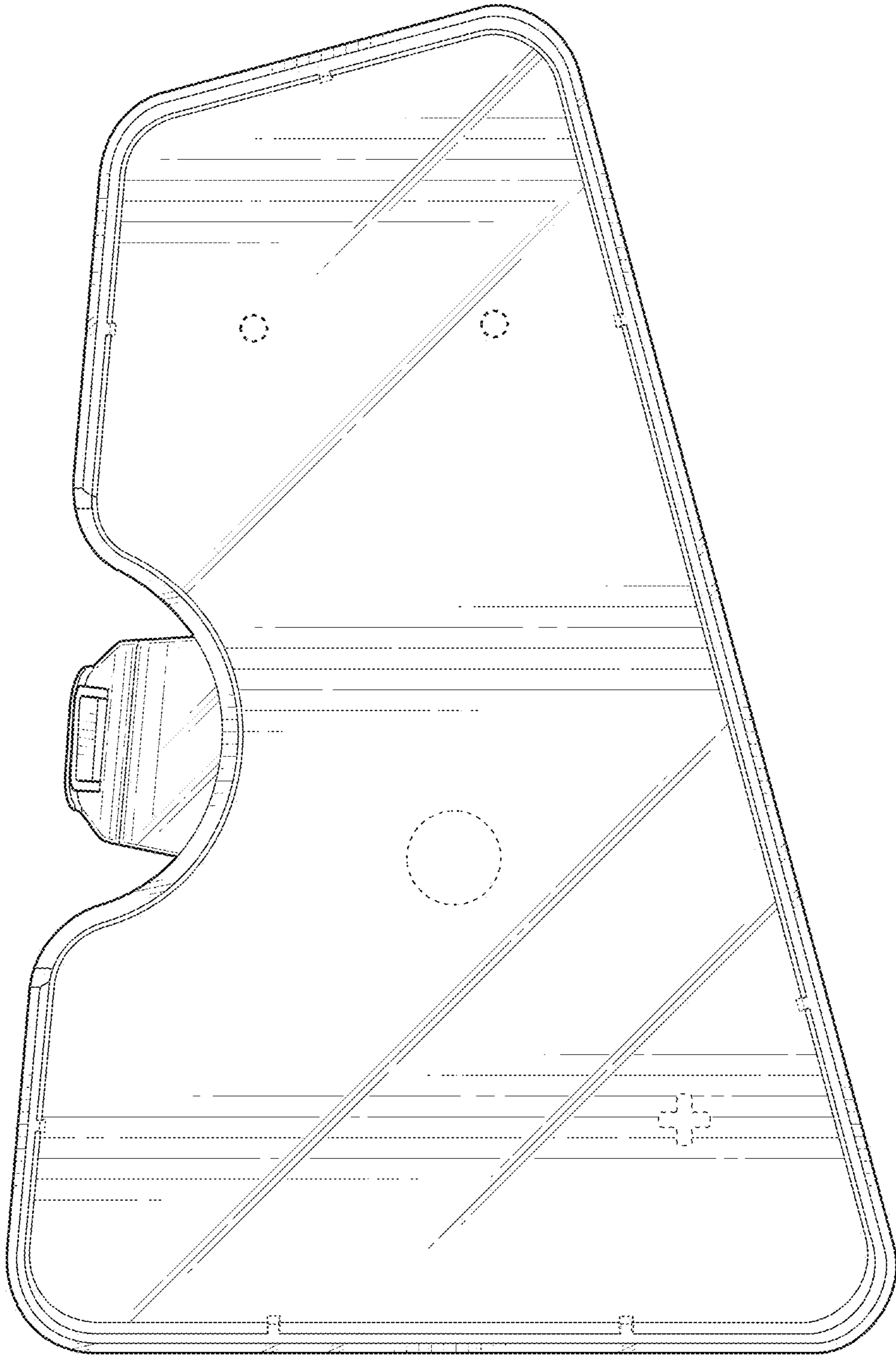


FIG. 2

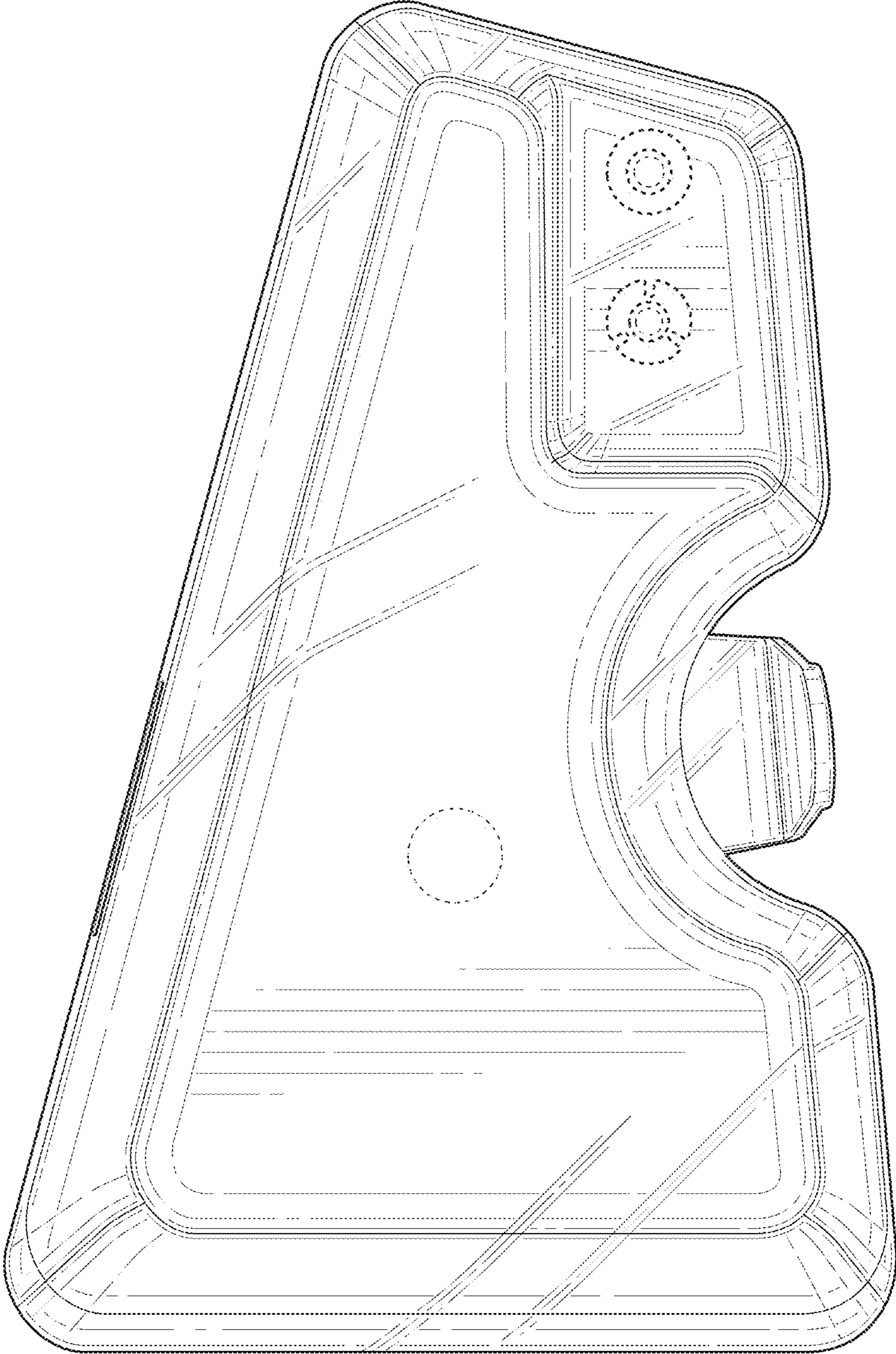


FIG. 3

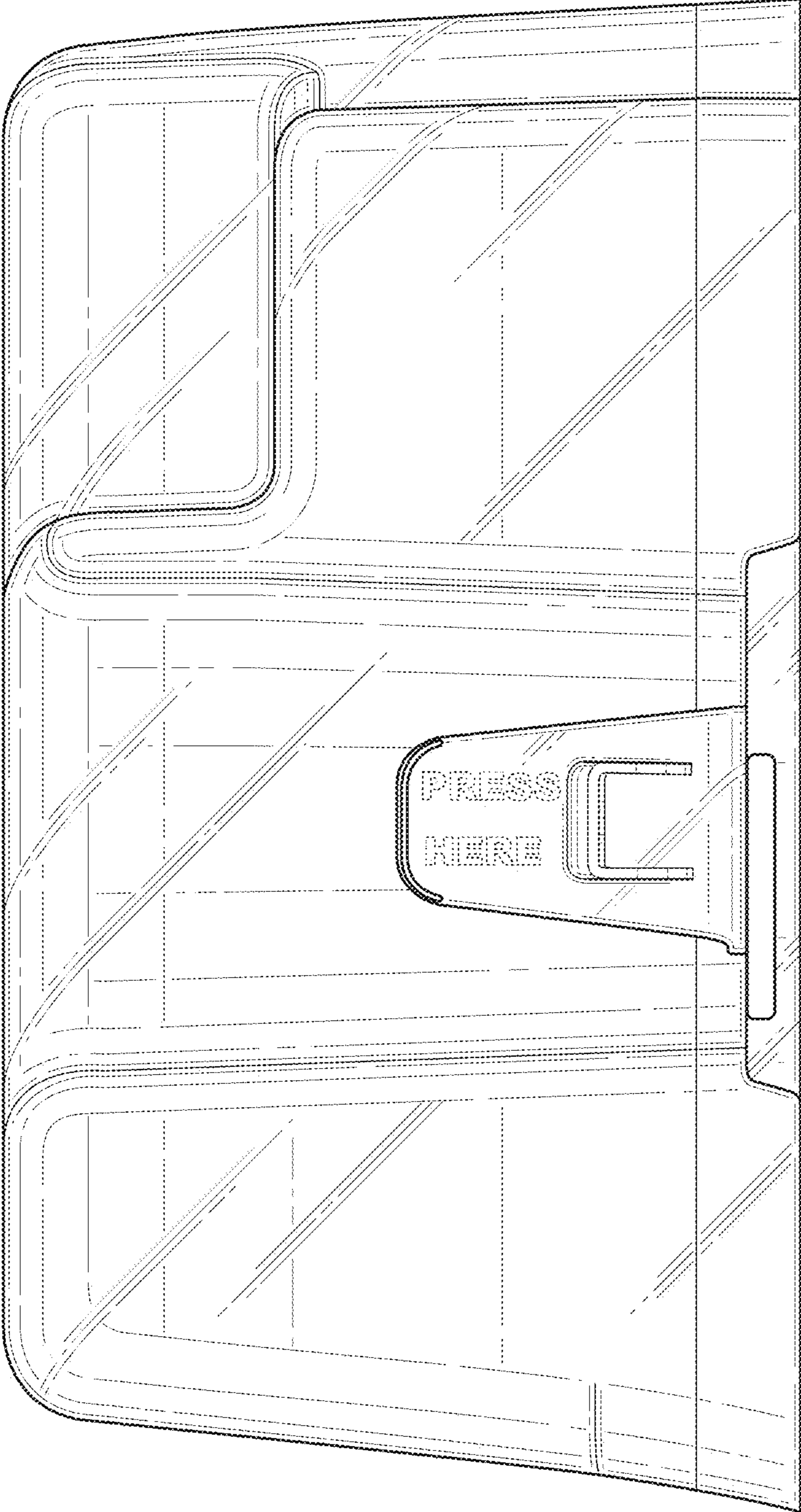


FIG. 4

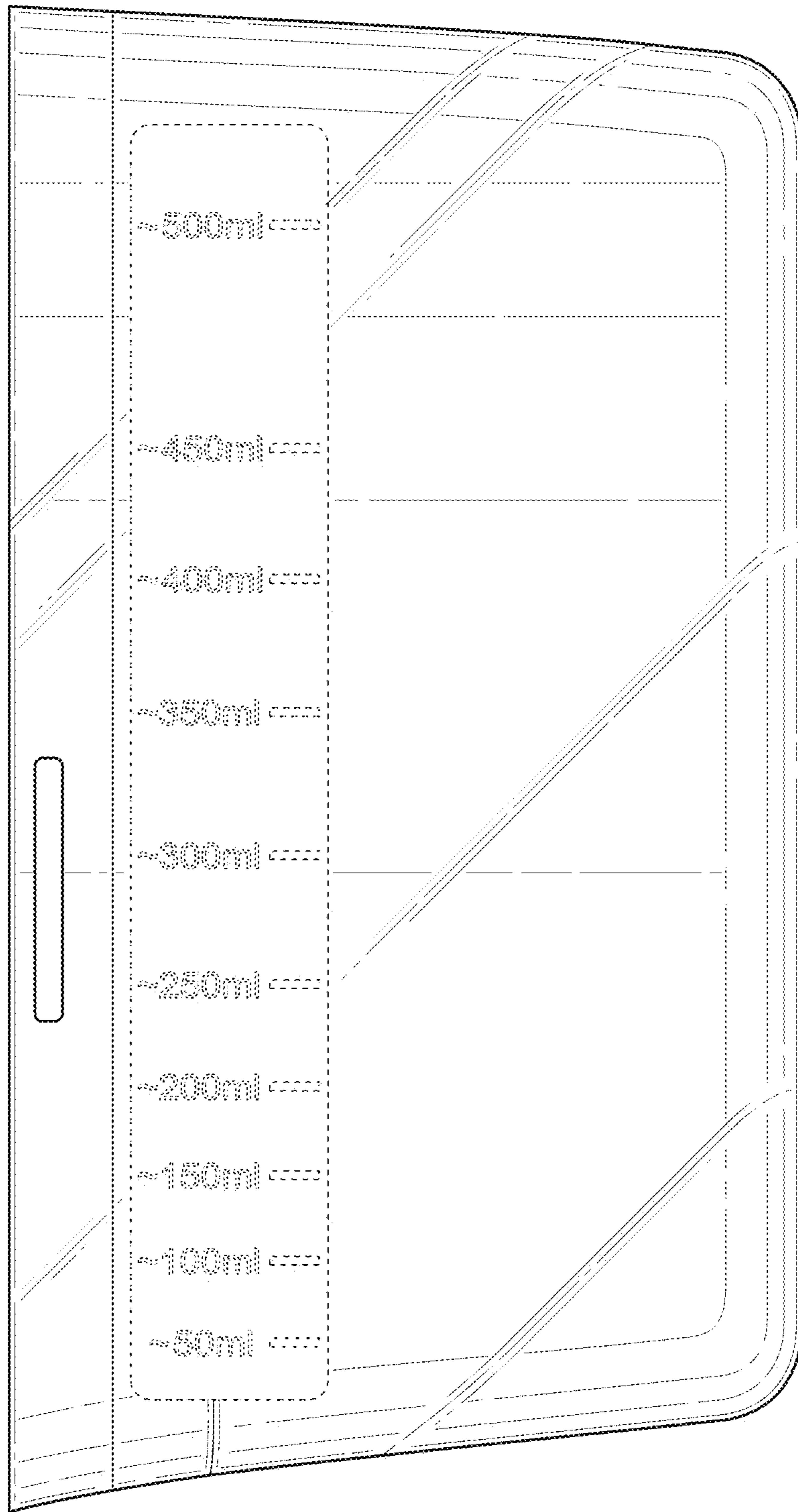


FIG. 5

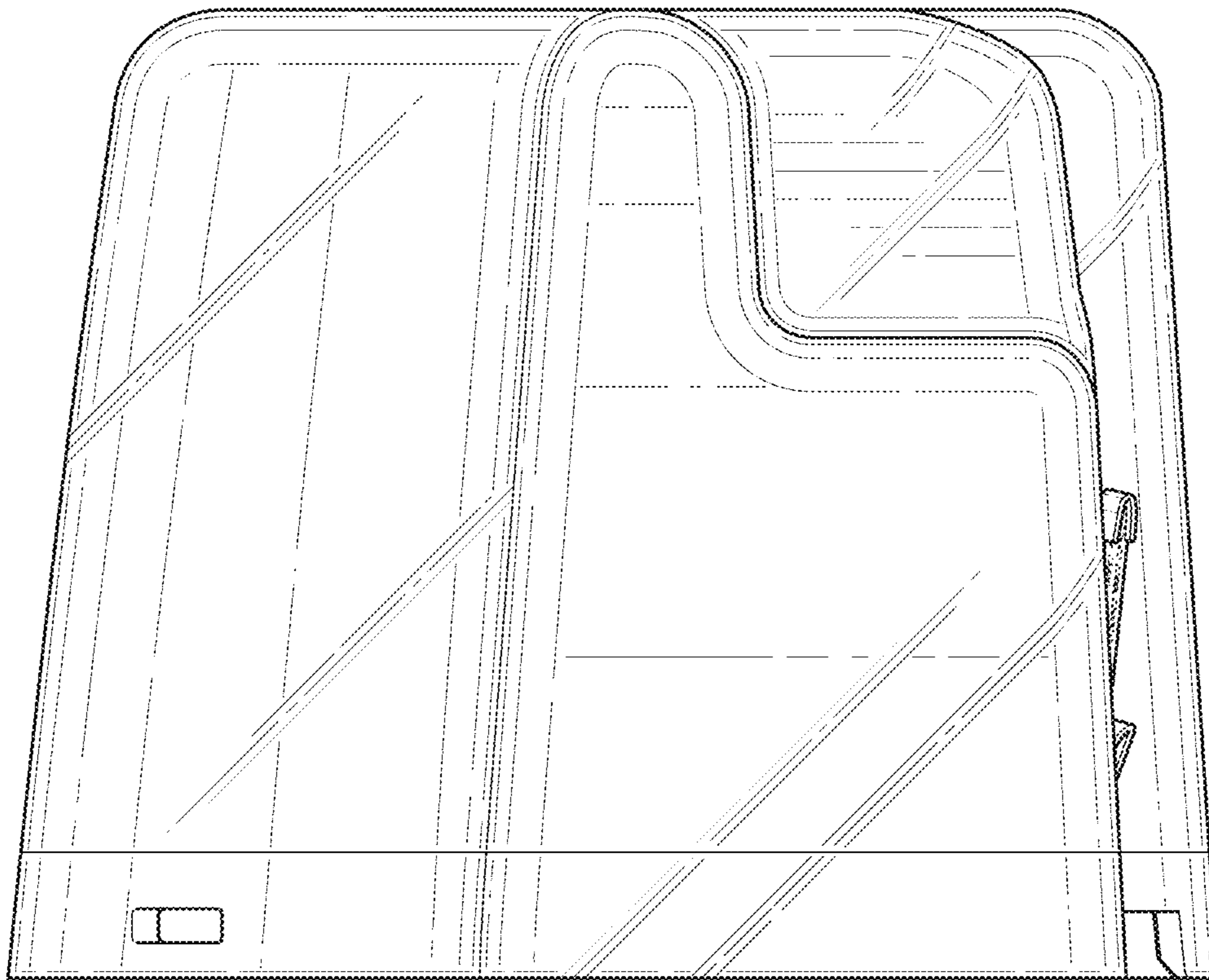


FIG. 6

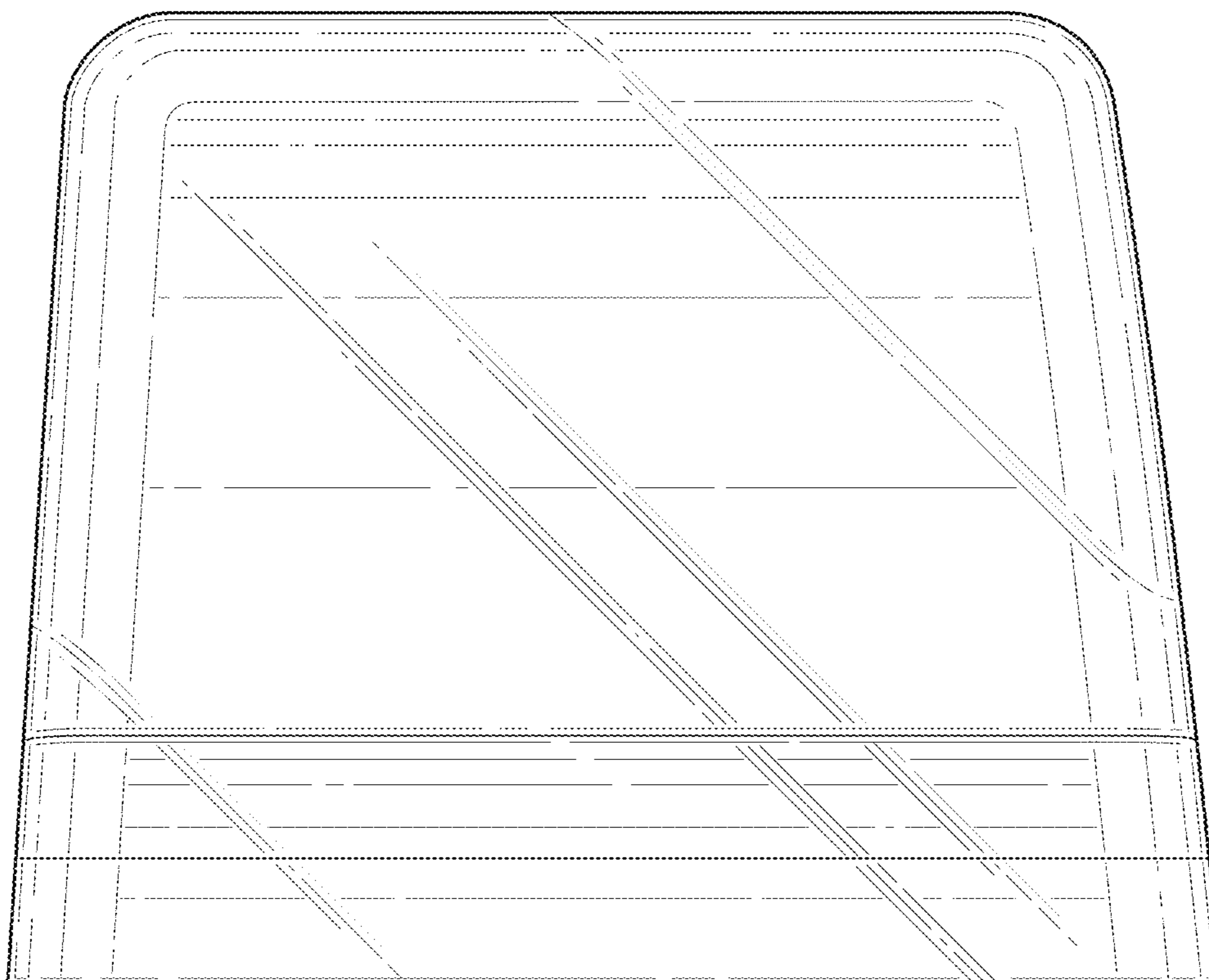


FIG. 7