



US00D935031S

(12) **United States Design Patent** (10) **Patent No.:** **US D935,031 S**
Gao (45) **Date of Patent:** **** Nov. 2, 2021**

(54) **PHYSIOTHERAPY DEVICE**

(71) Applicant: **Shenzhen Ruijisi Technology Co., Ltd.**, Shenzhen (CN)

(72) Inventor: **Caiyun Gao**, Shenzhen (CN)

(**) Term: **15 Years**

(21) Appl. No.: **29/697,744**

(22) Filed: **Jul. 11, 2019**

(30) **Foreign Application Priority Data**

Apr. 11, 2019 (CN) 201930162871.7

(51) **LOC (13) Cl.** **24-04**

(52) **U.S. Cl.**
USPC **D24/188**

(58) **Field of Classification Search**
USPC D10/78; D24/133, 188, 189, 191, 192,
D24/206

CPC A61B 5/11; A61B 5/222; A61B 5/4884;
A61B 5/72; A61B 18/18; A61H 7/003;
A61H 7/005; A61H 39/00; A61H
2205/04; A61H 2205/06; A61H 2205/065;
A61H 2205/067; A61H 2205/081; A61H
2205/083; A61H 2205/084; A61H
2205/088; A61H 2205/10; A61H
2205/102; A61H 2205/106; A61H
2205/108; A63B 23/185; A61N 1/36;
A61N 1/36021

See application file for complete search history.

(56) **References Cited**

U.S. PATENT DOCUMENTS

D757,948 S	*	5/2016	Thomas	D24/188
D817,501 S		5/2018	Wei		
D851,254 S		6/2019	Fluxman		
D871,591 S		12/2019	Lauroen et al.		
D876,638 S		2/2020	Gan		

* cited by examiner

Primary Examiner — Antoine Duval Davis

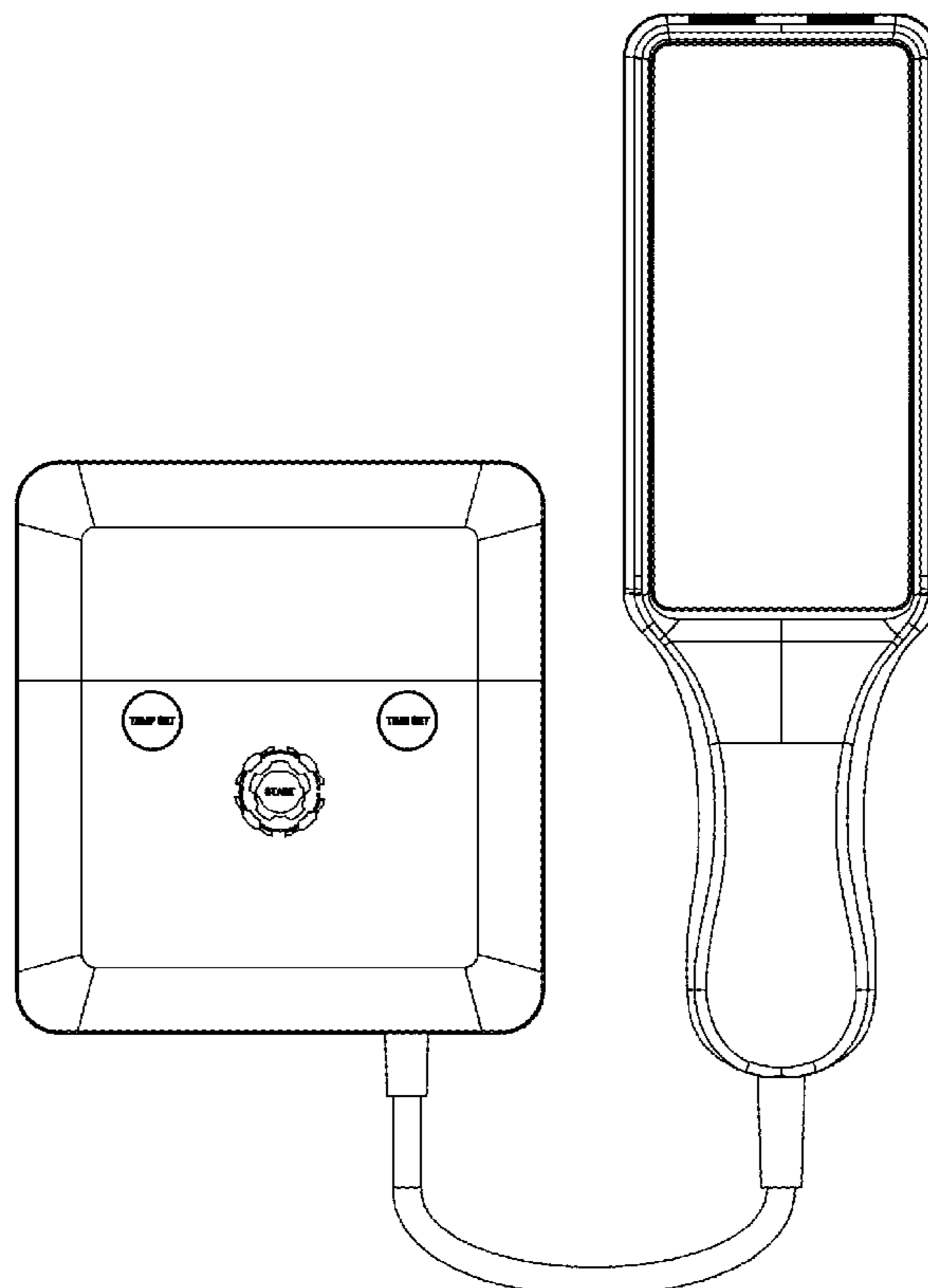
(57) **CLAIM**

The ornamental design for a physiotherapy device, as shown and described.

DESCRIPTION

FIG. 1 is a front elevational view of a physiotherapy device showing my new design;
FIG. 2 is a rear elevational view thereof;
FIG. 3 is a right side elevational view thereof;
FIG. 4 is a left side elevational view thereof;
FIG. 5 is a bottom plan view thereof;
FIG. 6 is a top plan view thereof;
FIG. 7 is a left front perspective view thereof; and,
FIG. 8 is a left rear perspective view thereof.

1 Claim, 8 Drawing Sheets



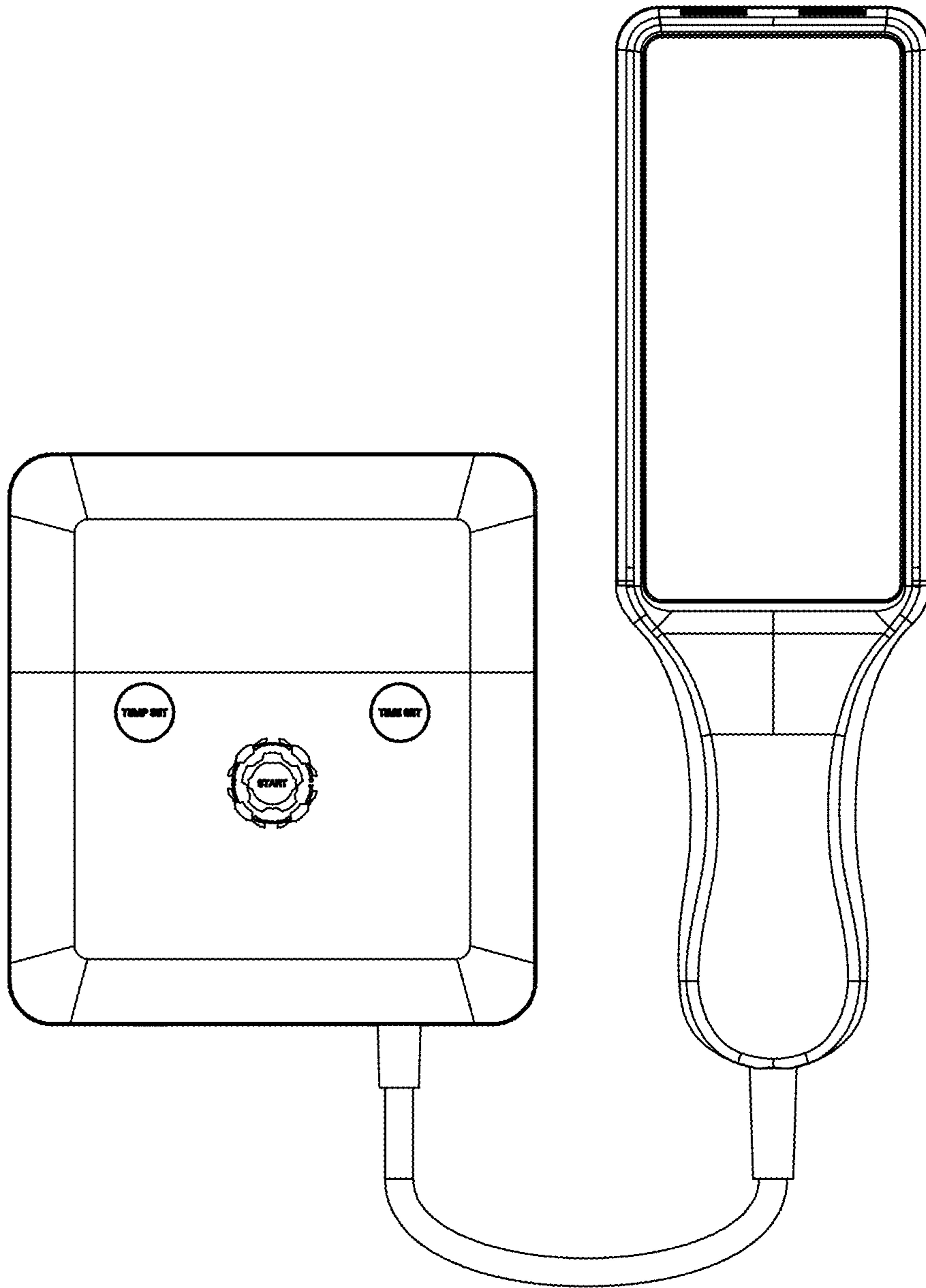


FIG. 1

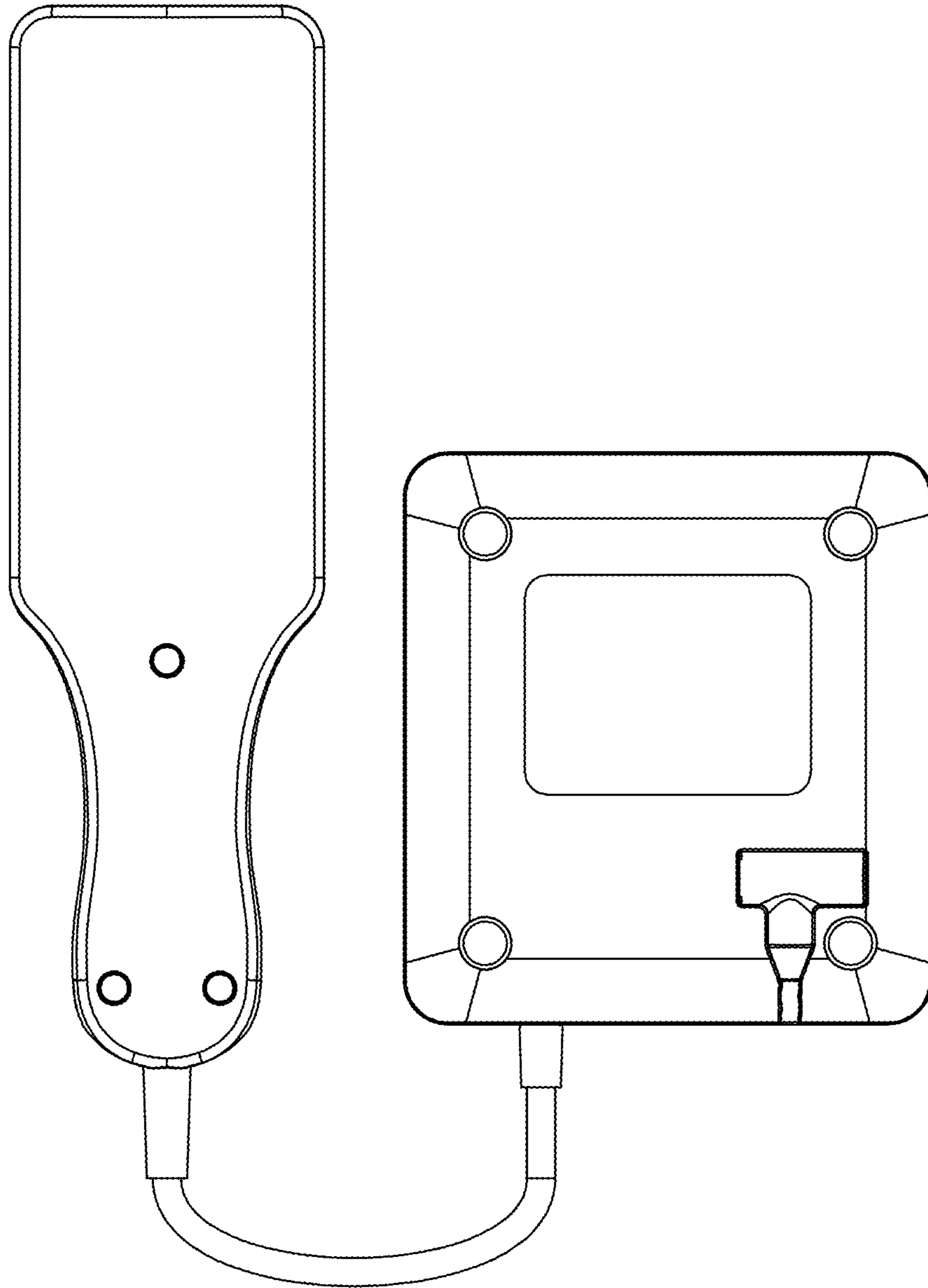


FIG.2

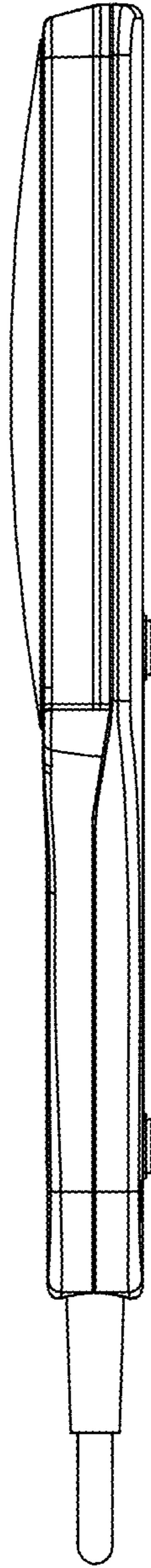


FIG. 3

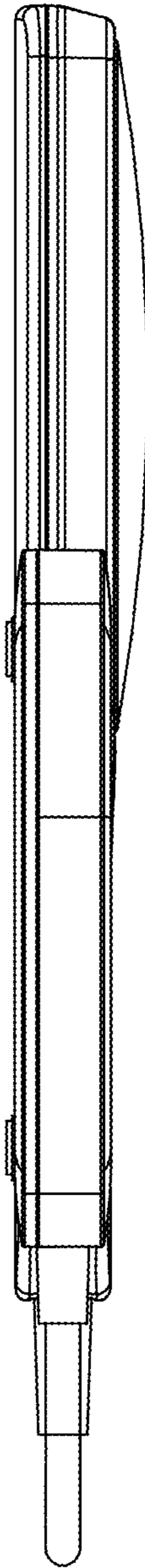


FIG.4

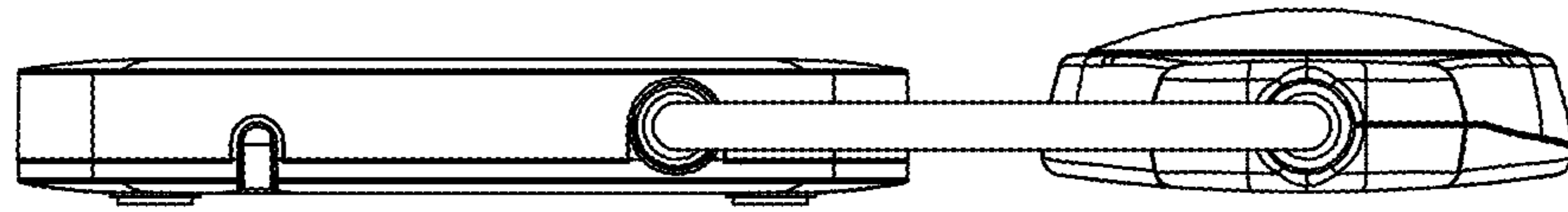


FIG.5

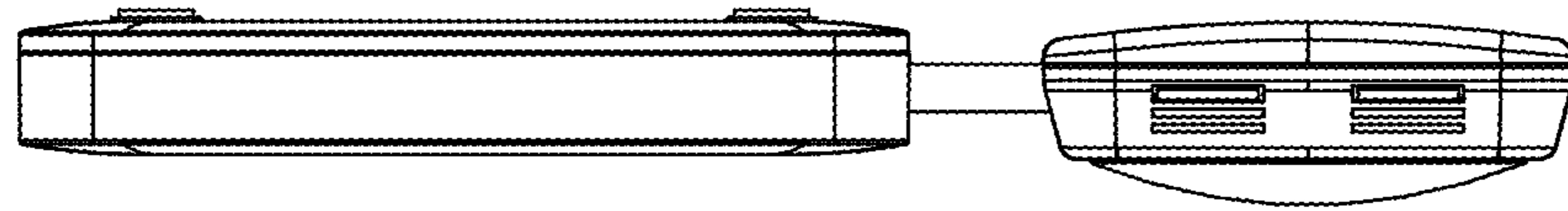


FIG.6

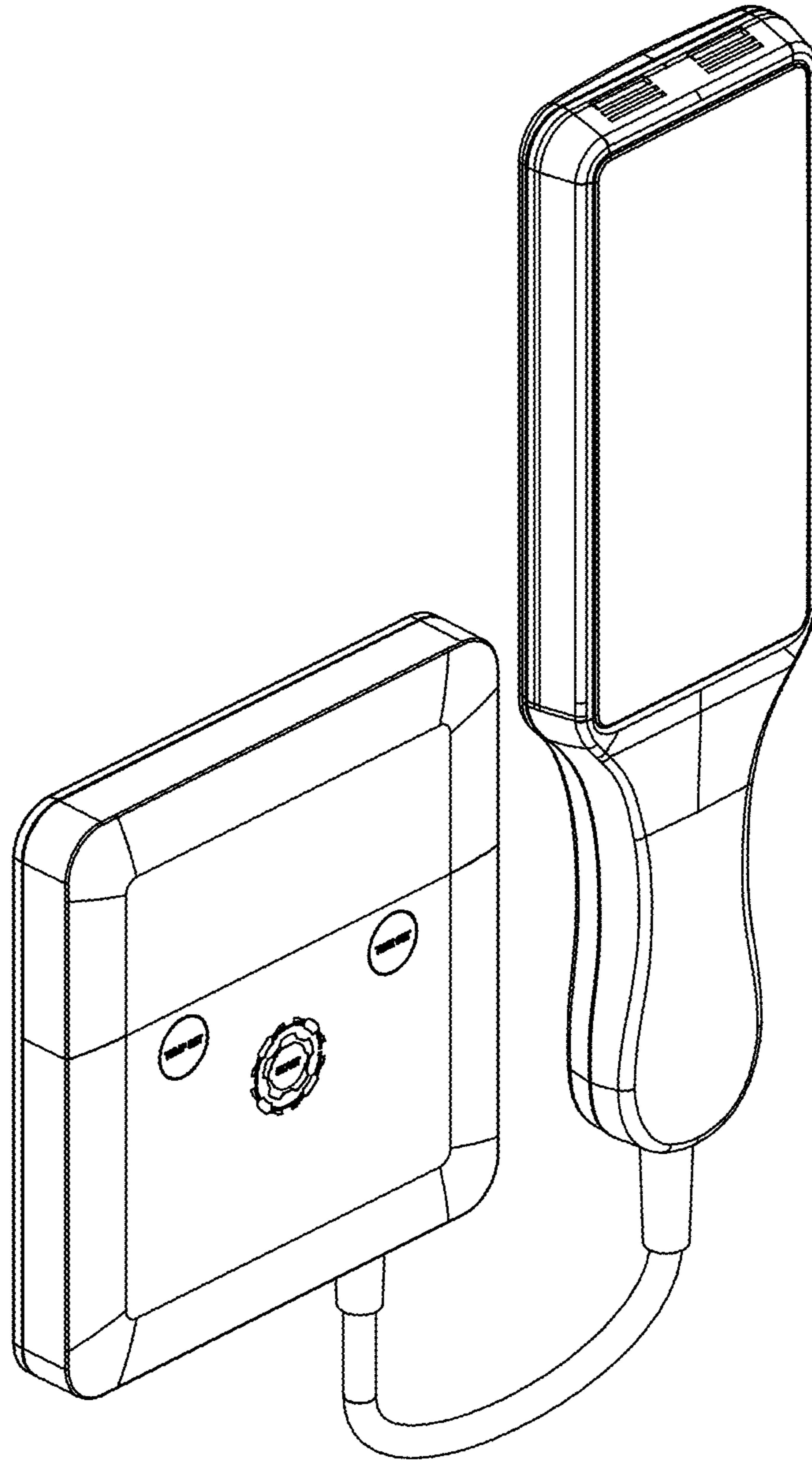


FIG. 7

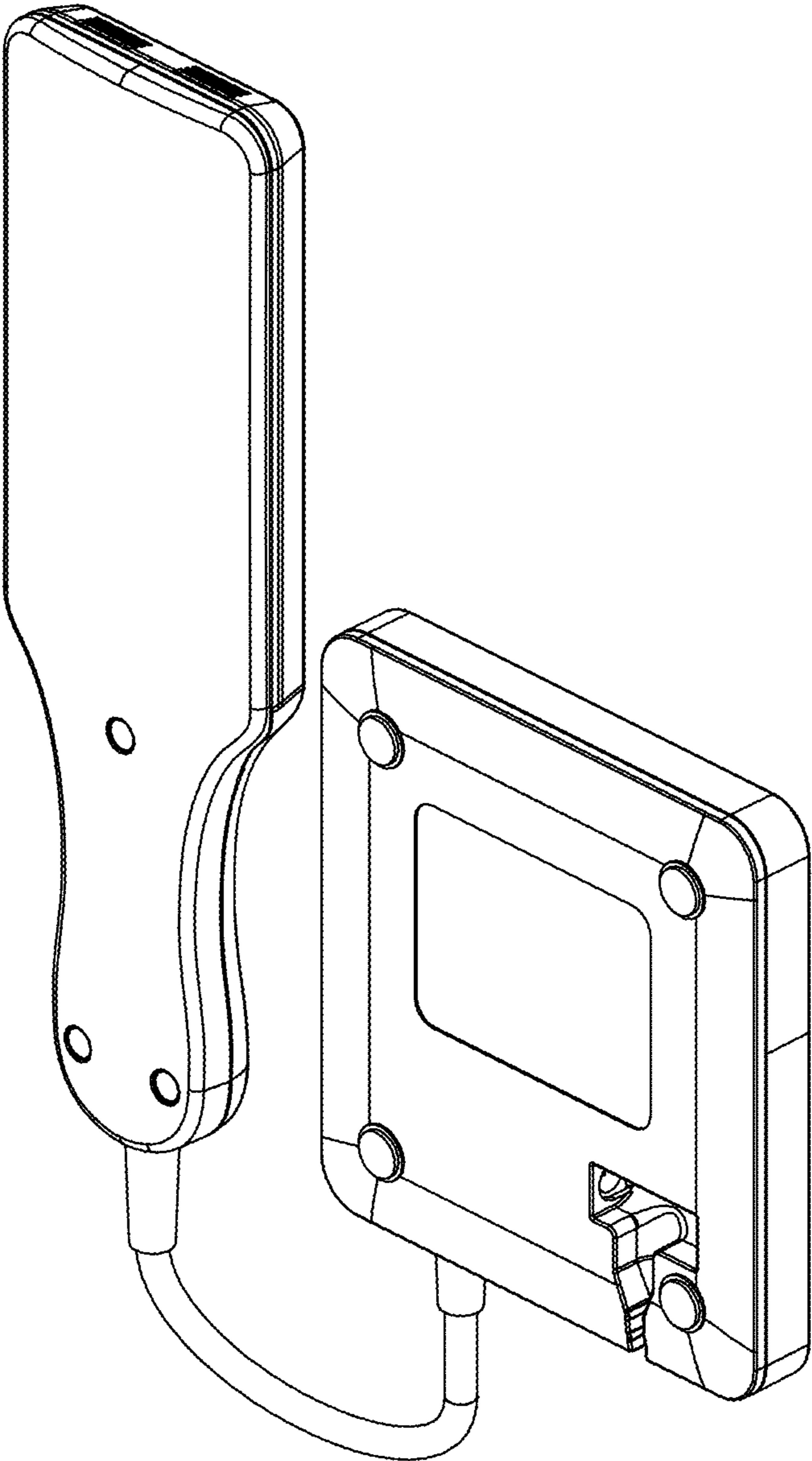


FIG.8