



US00D935030S

(12) **United States Design Patent** (10) **Patent No.:** **US D935,030 S**  
**De Klein et al.** (45) **Date of Patent:** **\*\* Nov. 2, 2021**

(54) **SKIN MEASUREMENT DEVICE**

*Primary Examiner* — Anhdao Doan

(71) Applicant: **KONINKLIJKE PHILIPS N.V.**,  
Eindhoven (NL)

(57) **CLAIM**

The ornamental design for a skin measurement device, as shown and described.

(72) Inventors: **Nicole Louisa De Klein**, Amsterdam (NL); **Augustina Cociffi**, Amsterdam (NL)

**DESCRIPTION**

(73) Assignee: **KONINKLIJKE PHILIPS N.V.**,  
Eindhoven (NL)

FIG. 1 is a perspective view of a first embodiment of a skin measurement device showing our new design; FIG. 2 is a front elevational view thereof; FIG. 3 is a rear elevational view thereof; FIG. 4 is a right side elevational view thereof; FIG. 5 is a left side elevational view thereof; FIG. 6 is a top plan view thereof; FIG. 7 is a bottom plan view thereof; FIG. 8 is a perspective view of a second embodiment of a skin measurement device showing our new design; FIG. 9 is a front elevational view thereof; FIG. 10 is a rear elevational view thereof; FIG. 11 is a right side elevational view thereof; FIG. 12 is a left side elevational view thereof; FIG. 13 is a top plan view thereof; FIG. 14 is a bottom plan view thereof; FIG. 15 is a perspective view of a third embodiment of a skin measurement device showing our new design; FIG. 16 is a front elevational view thereof; FIG. 17 is a rear elevational view thereof; FIG. 18 is a right side elevational view thereof; FIG. 19 is a left side elevational view thereof; FIG. 20 is a top plan view thereof; FIG. 21 is a bottom plan view thereof; FIG. 22 is a perspective view of a fourth embodiment of a skin measurement device showing our new design; FIG. 23 is a front elevational view thereof; FIG. 24 is a rear elevational view thereof; FIG. 25 is a right side elevational view thereof; FIG. 26 is a left side elevational view thereof; FIG. 27 is a top plan view thereof; and, FIG. 28 is a bottom plan view thereof. The broken lines illustrate portions of the skin measurement device that form no part of the claimed design.

(\*\*) Term: **15 Years**

(21) Appl. No.: **29/709,485**

(22) Filed: **Oct. 15, 2019**

(30) **Foreign Application Priority Data**

Apr. 15, 2019 (EM) ..... 006378642-0001  
Jul. 8, 2019 (EM) ..... 006617254-0001

(51) **LOC (13) Cl.** ..... **24-01**

(52) **U.S. Cl.**  
USPC ..... **D24/186**; D24/133

(58) **Field of Classification Search**  
USPC ..... D24/186, 187, 200, 209, 210, 214, 133;  
D28/144.1; D10/81  
CPC ... A61B 5/0531; A61B 5/0533; A61B 5/0537;  
A61B 5/0053; A61B 5/0059; A61B  
(Continued)

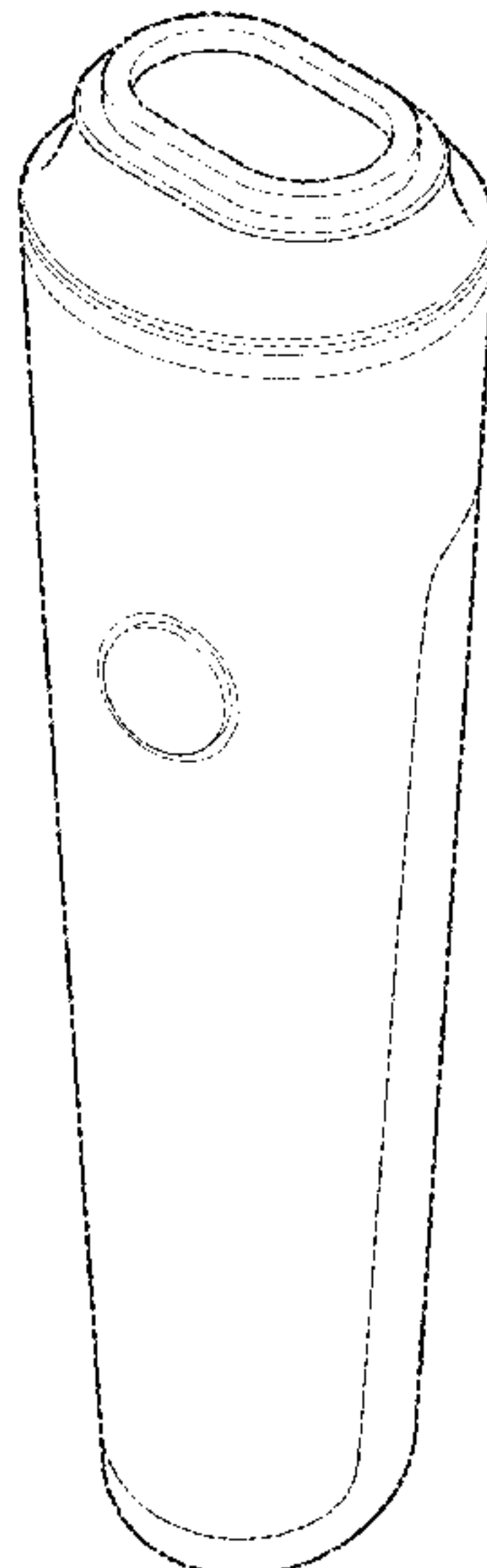
(56) **References Cited**

**U.S. PATENT DOCUMENTS**

6,251,070 B1 \* 6/2001 Khazaka ..... A61B 5/0059  
600/306  
D576,285 S \* 9/2008 Kennedy ..... D24/209  
D621,949 S \* 8/2010 Seki ..... D24/209

(Continued)

**1 Claim, 16 Drawing Sheets**



(58) **Field of Classification Search**

CPC ... 5/0064; A61B 5/0077; A61B 5/0095; A61B  
5/442; A61B 5/443; A61B 2018/0047

See application file for complete search history.

(56) **References Cited**

U.S. PATENT DOCUMENTS

D635,271	S	*	3/2011	Azar	.....	D24/209
D655,012	S	*	2/2012	Nanda	.....	D24/176
D707,839	S	*	6/2014	Bradley	.....	D24/209
D721,503	S	*	1/2015	De Klein	.....	D4/102
D828,925	S	*	9/2018	Levi	.....	D24/214
D844,792	S	*	4/2019	Choe	.....	D24/186
10,448,997	B2	*	10/2019	Palero	.....	A61B 5/441
D899,688	S	*	10/2020	Li	.....	D24/209
D912,322	S	*	3/2021	Cociffi	.....	D28/44.1
2020/0390362	A1	*	12/2020	Westerhof	.....	A61B 5/0531

\* cited by examiner

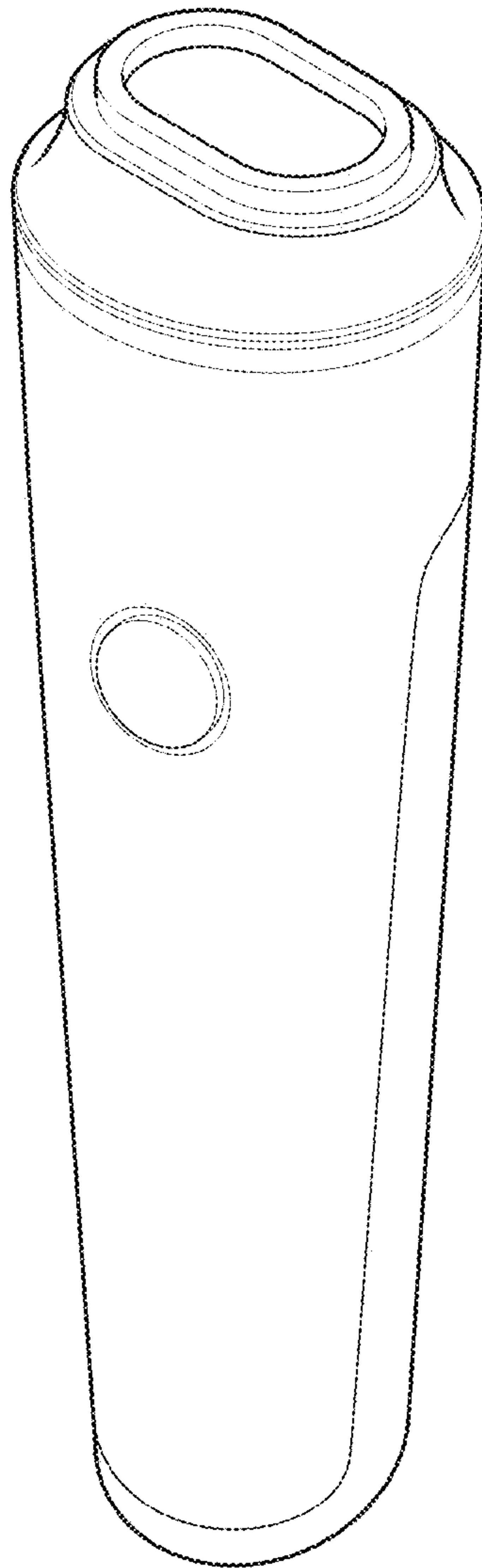


FIG. 1

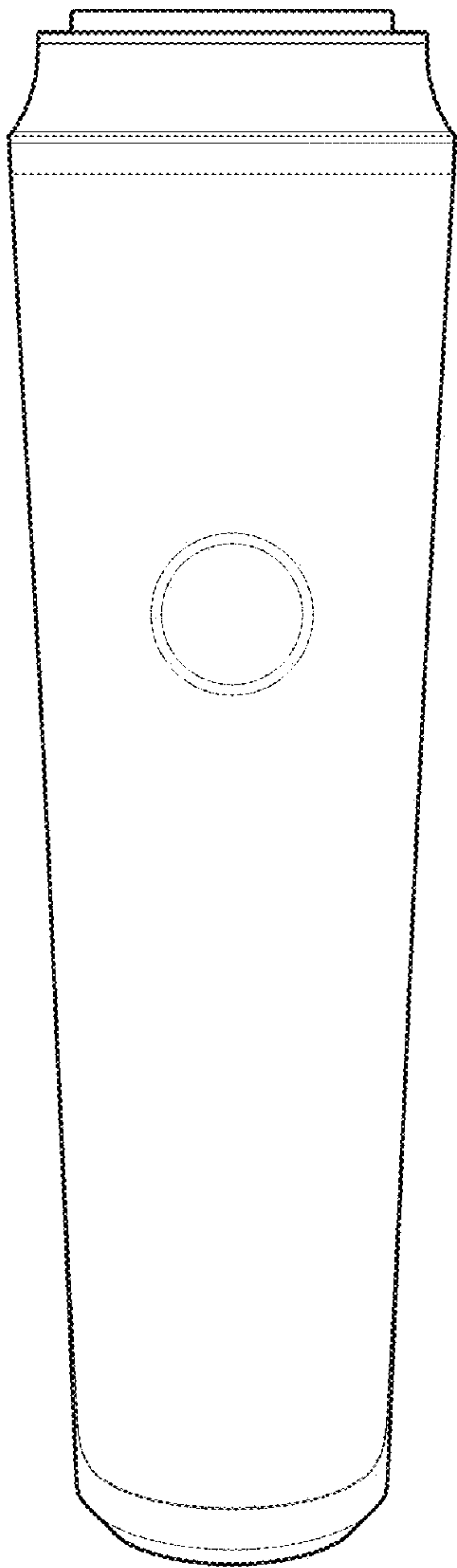


FIG. 2

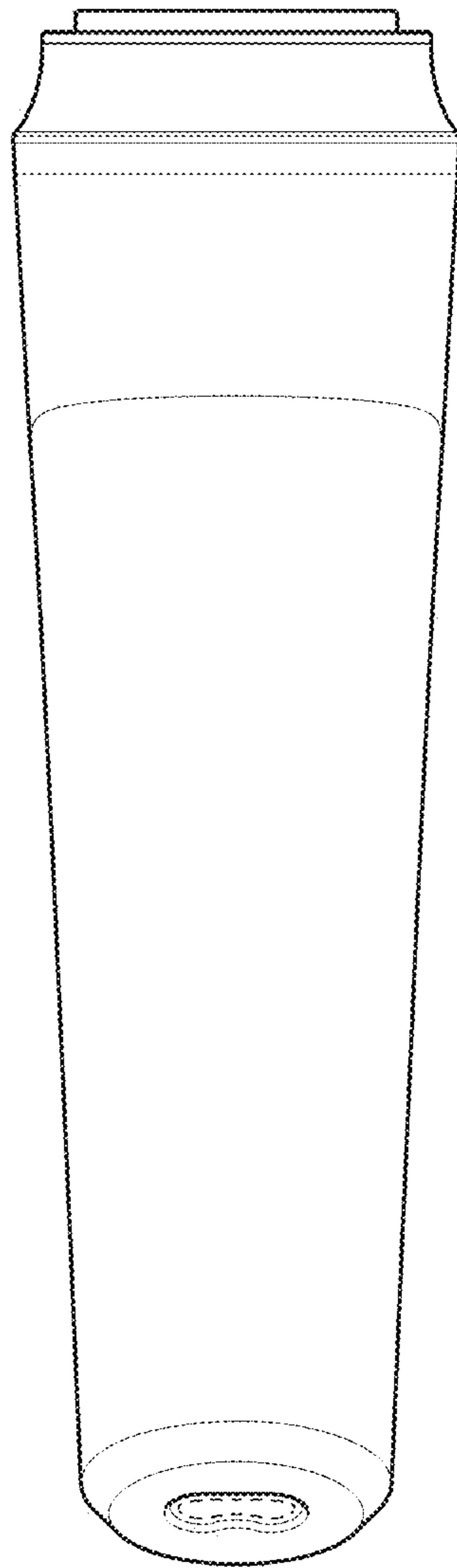


FIG. 3

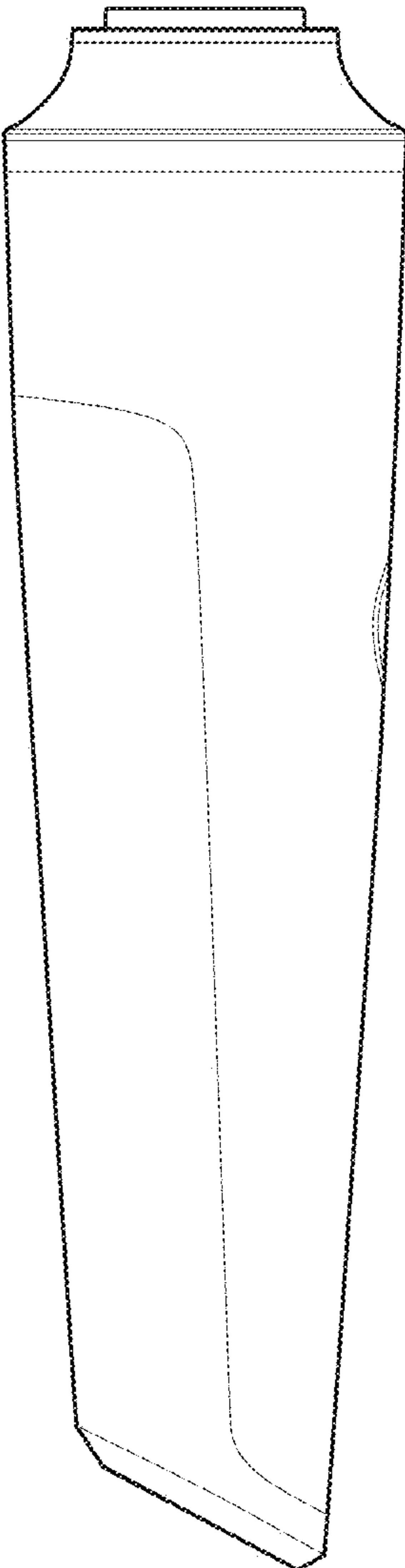


FIG. 4

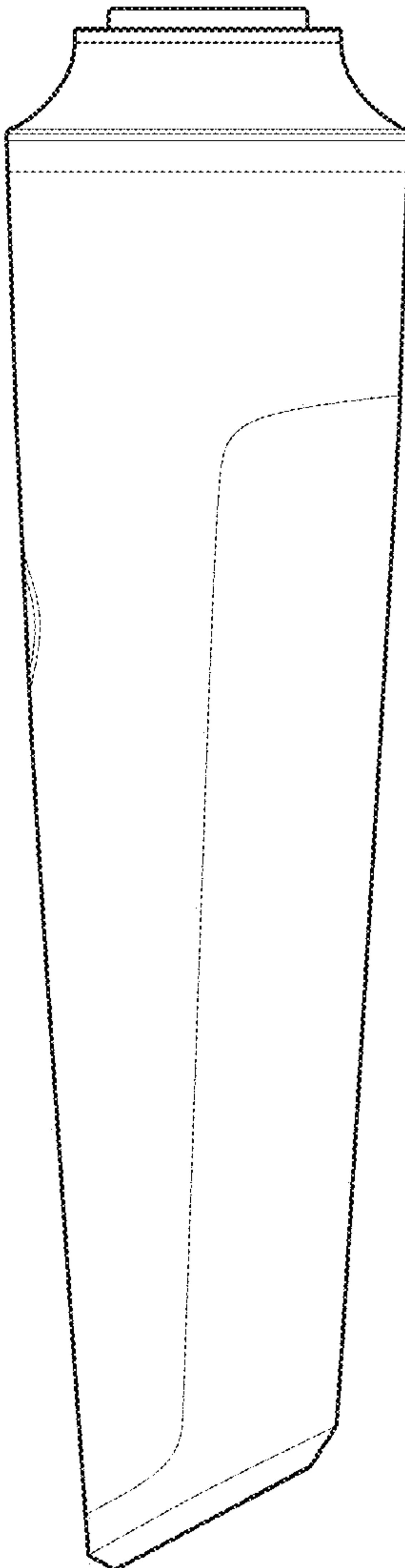


FIG. 5

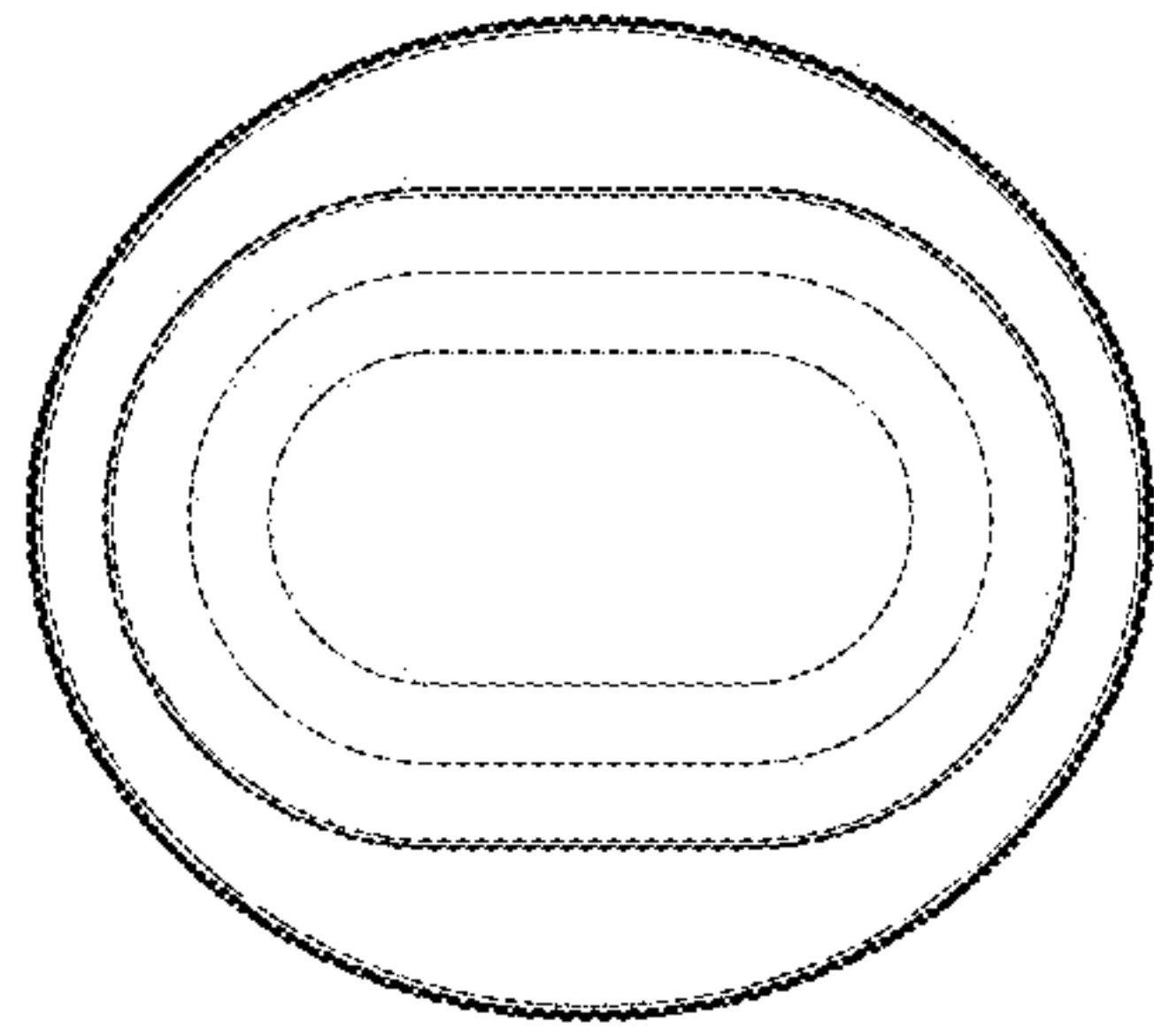


FIG. 6

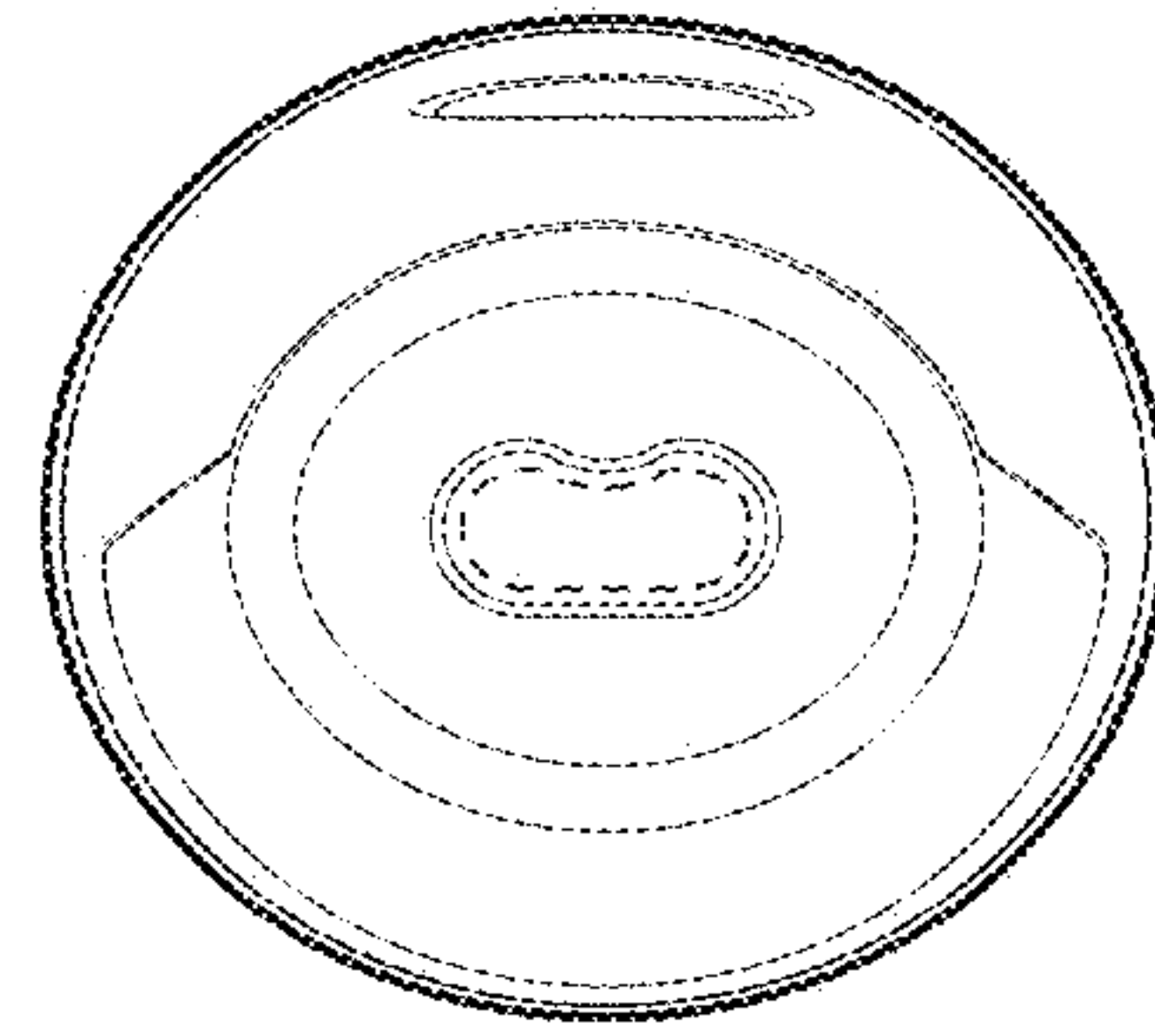


FIG. 7

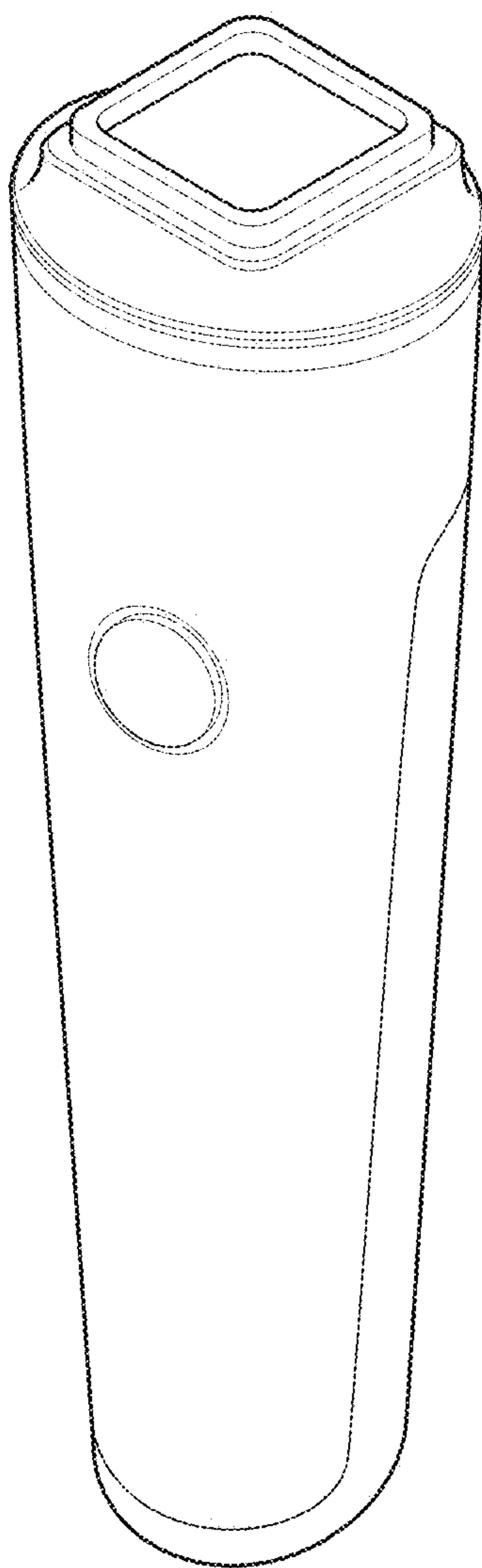


FIG. 8



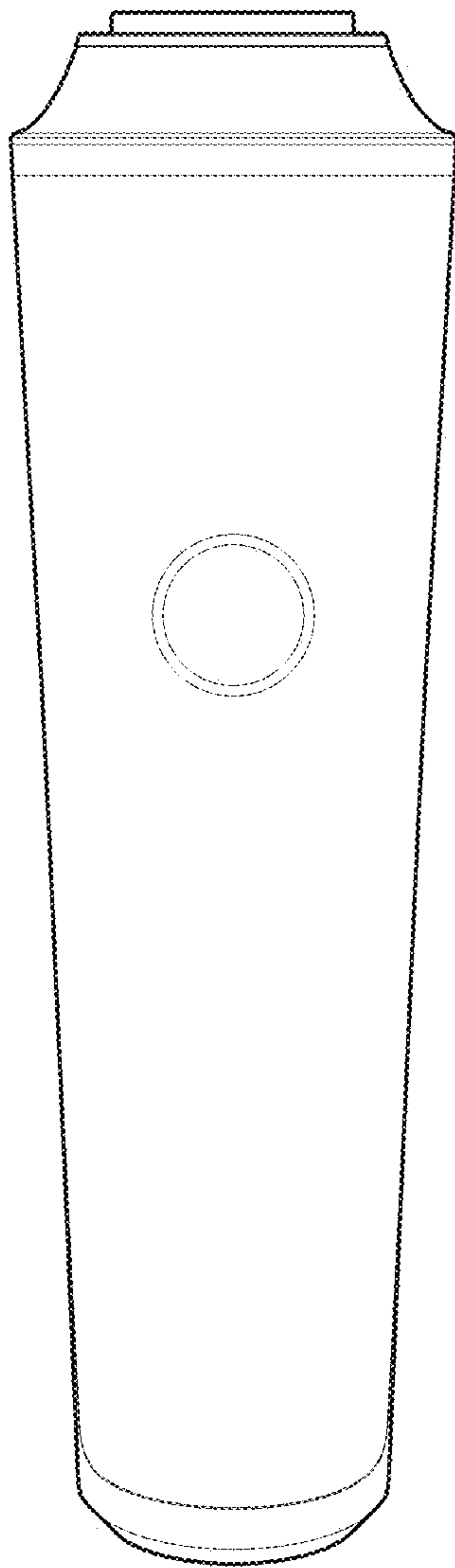


FIG. 9

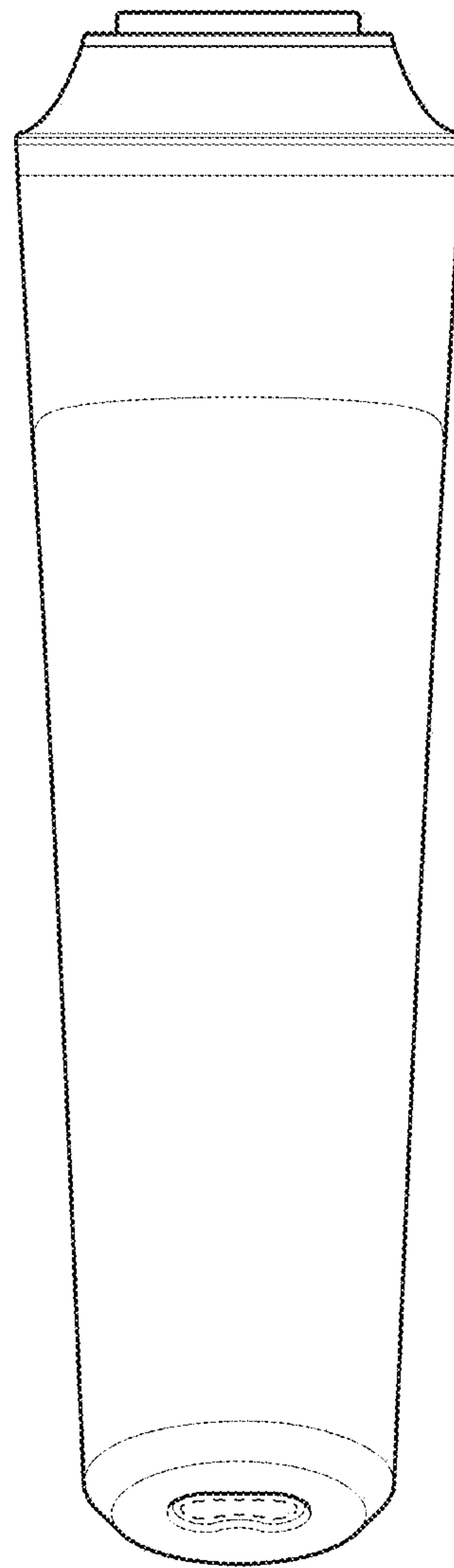


FIG. 10



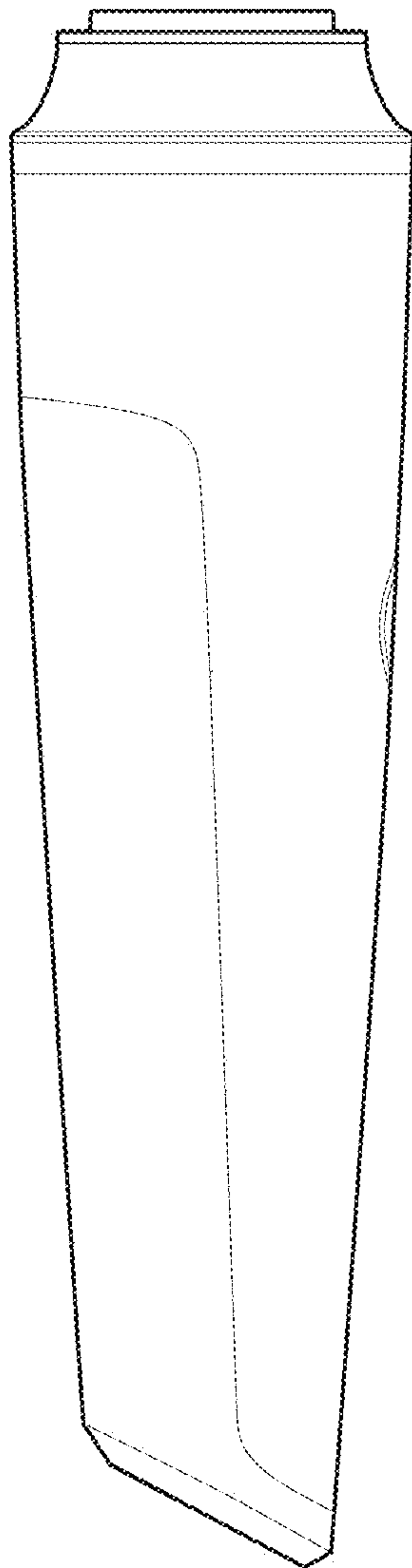


FIG. 11

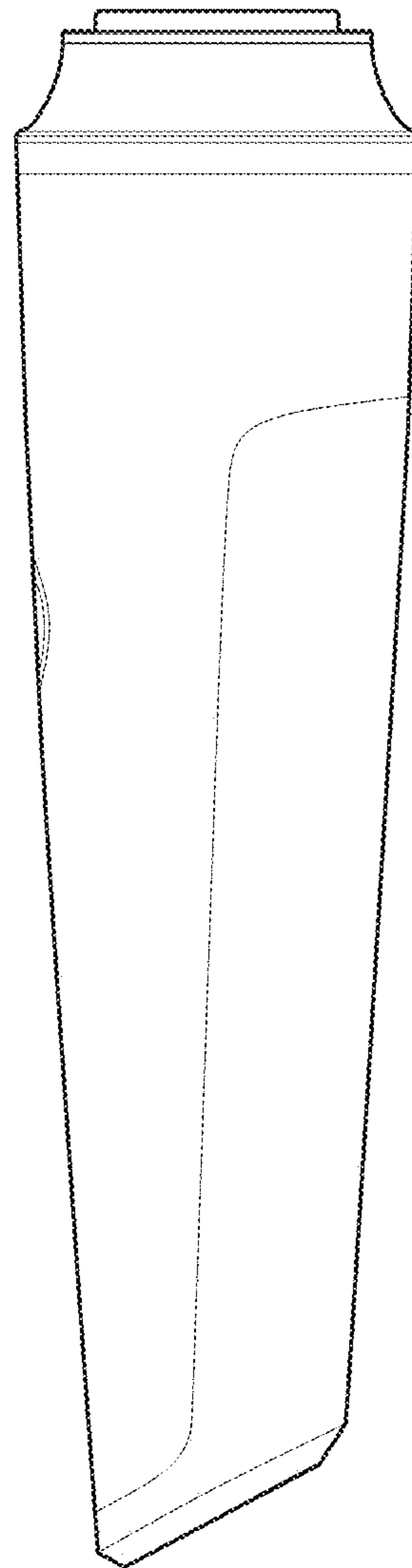


FIG. 12

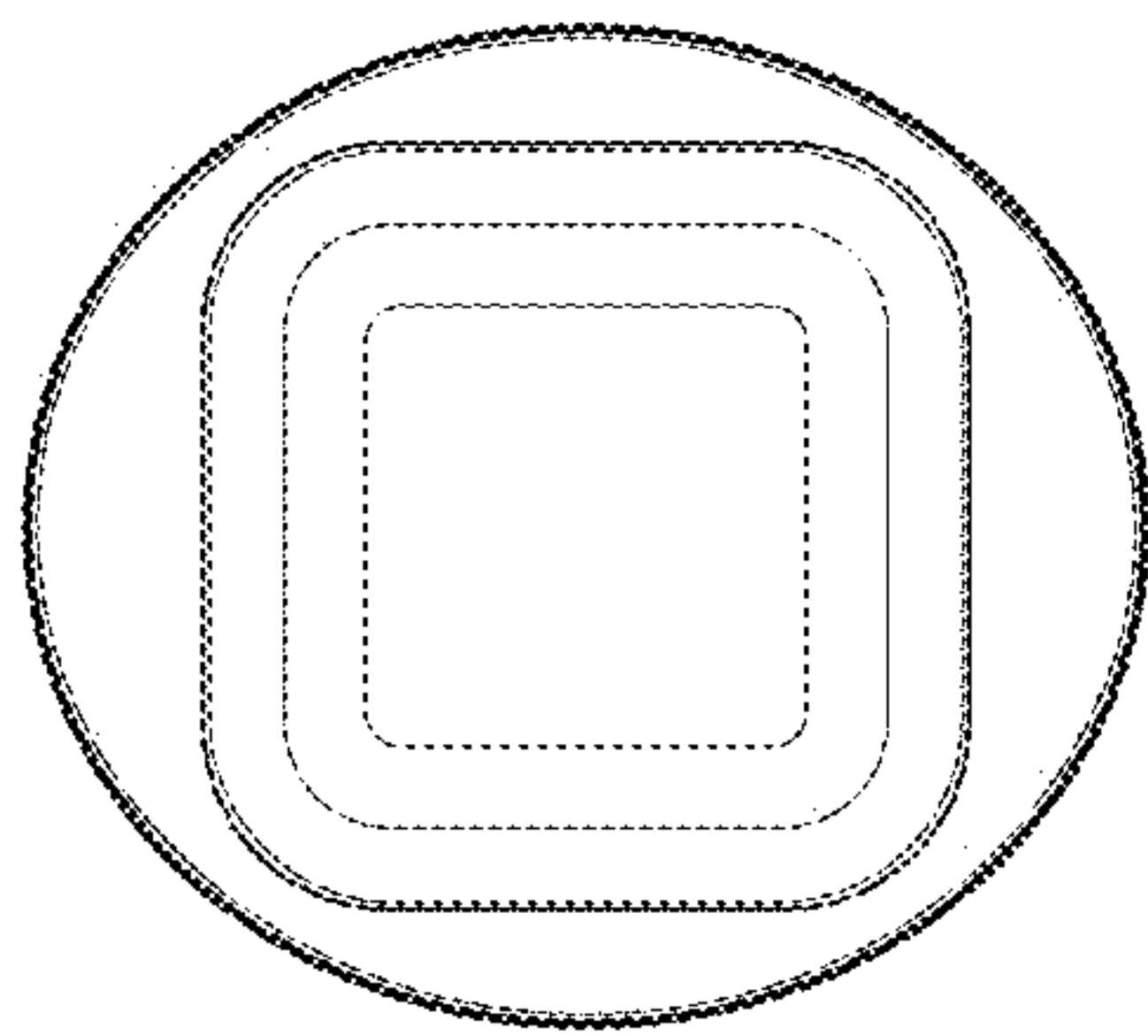


FIG. 13

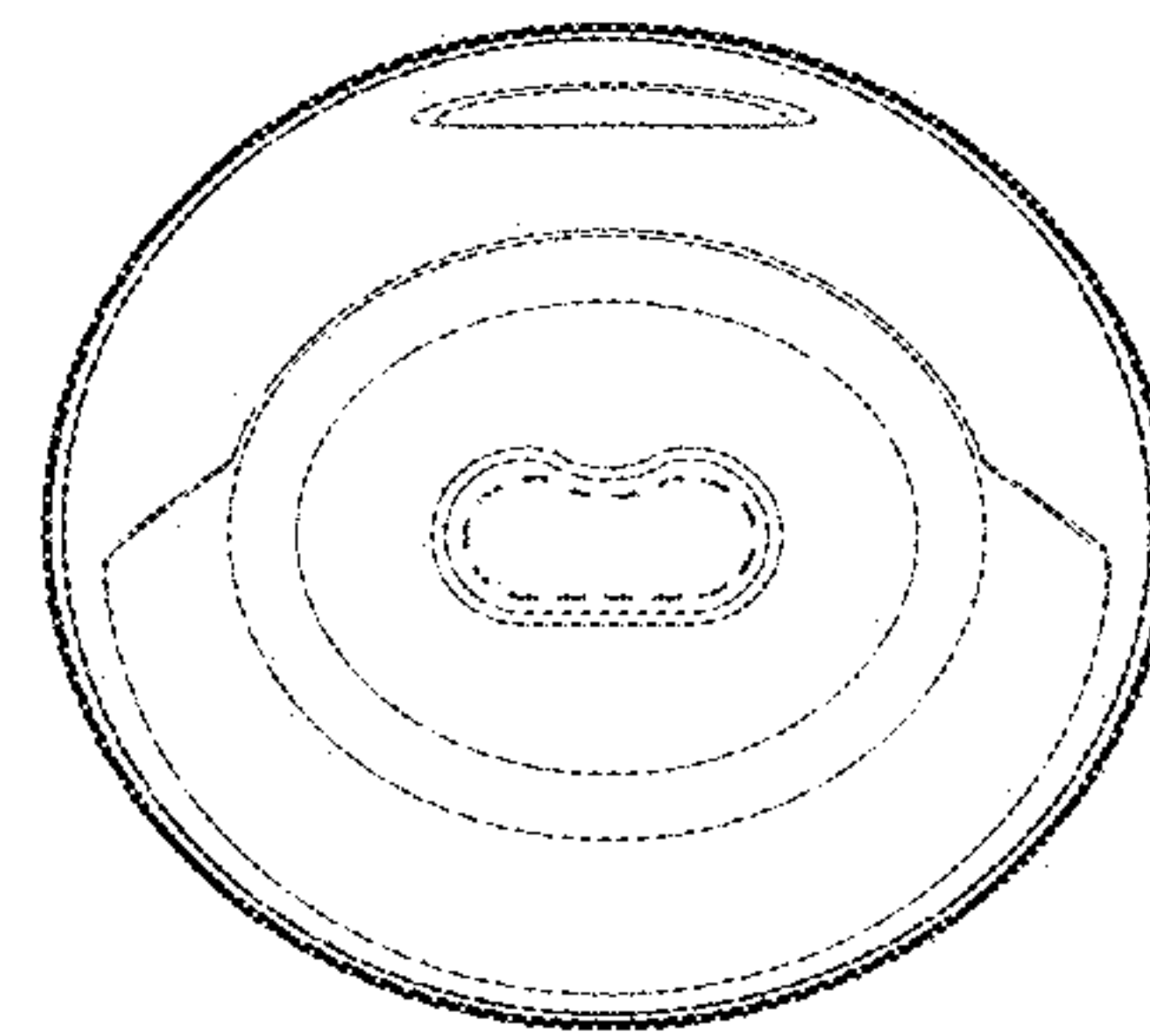


FIG. 14

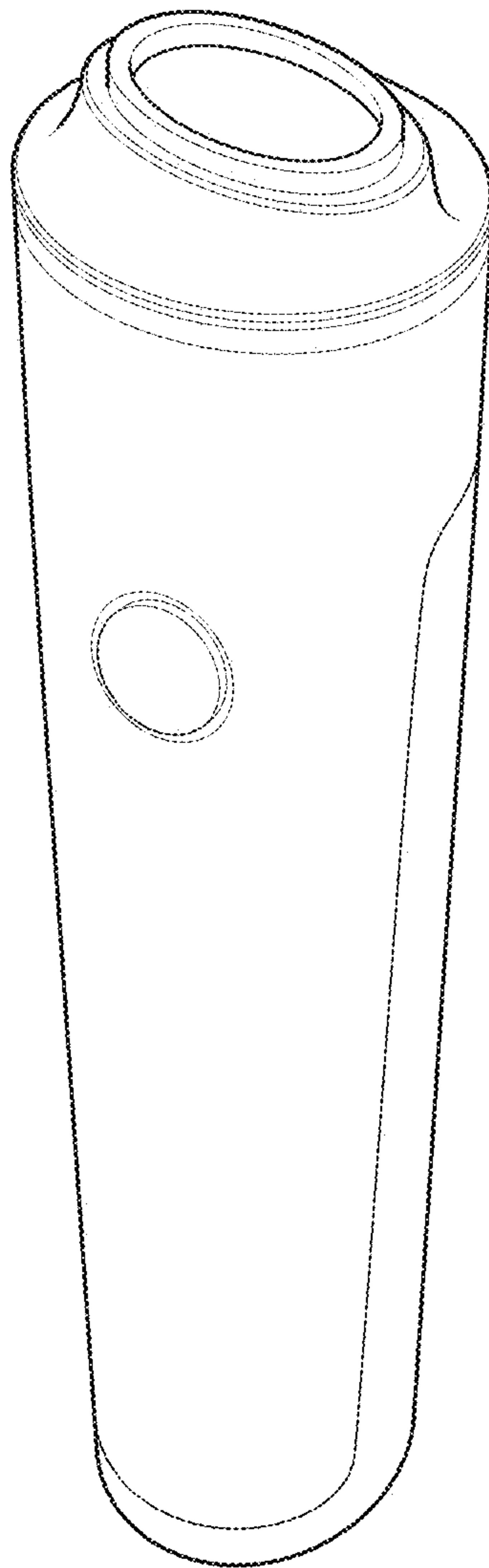


FIG. 15

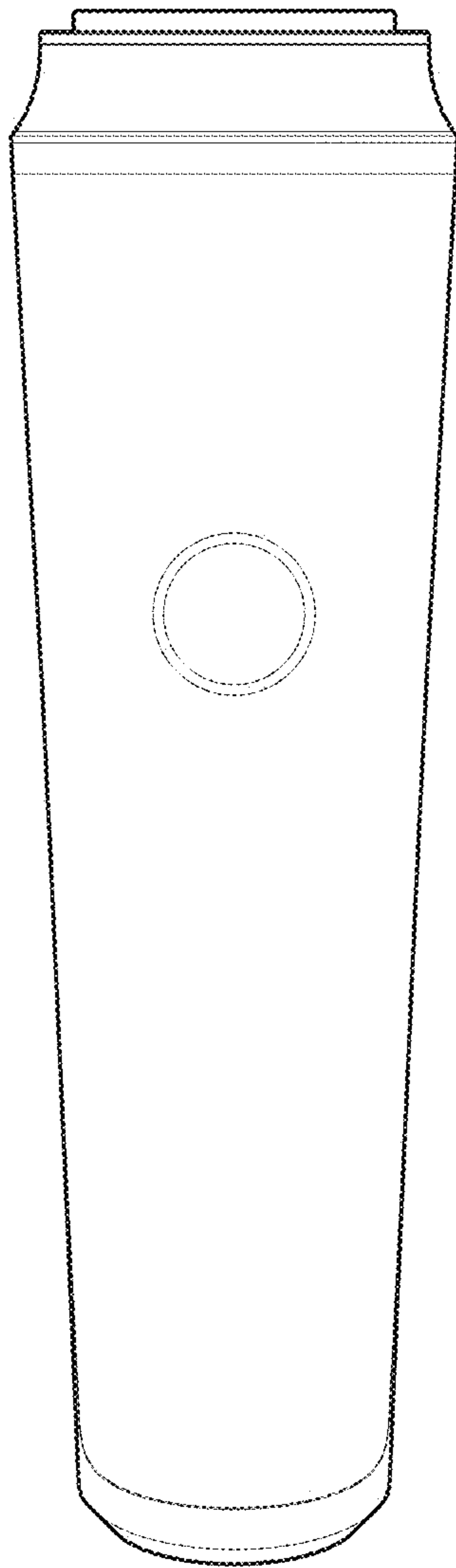


FIG. 16

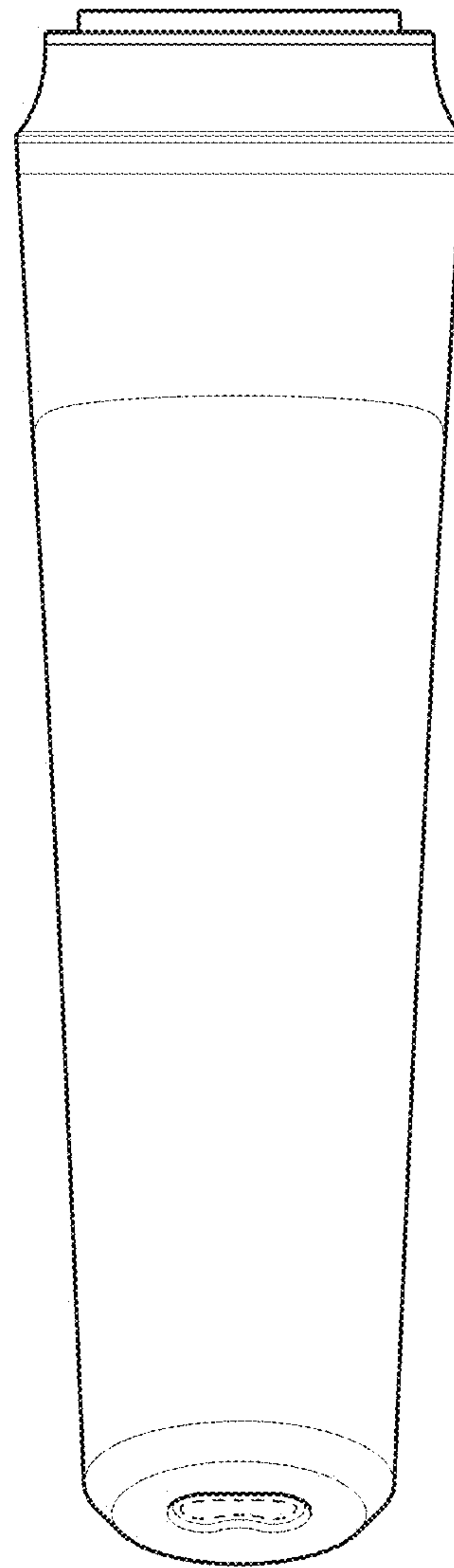


FIG. 17

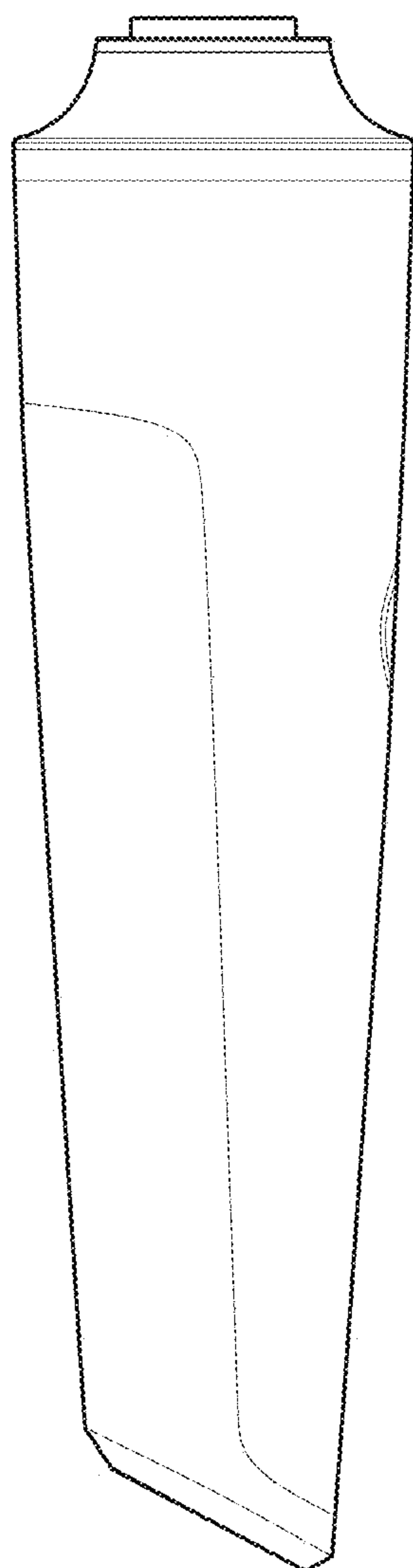


FIG. 18

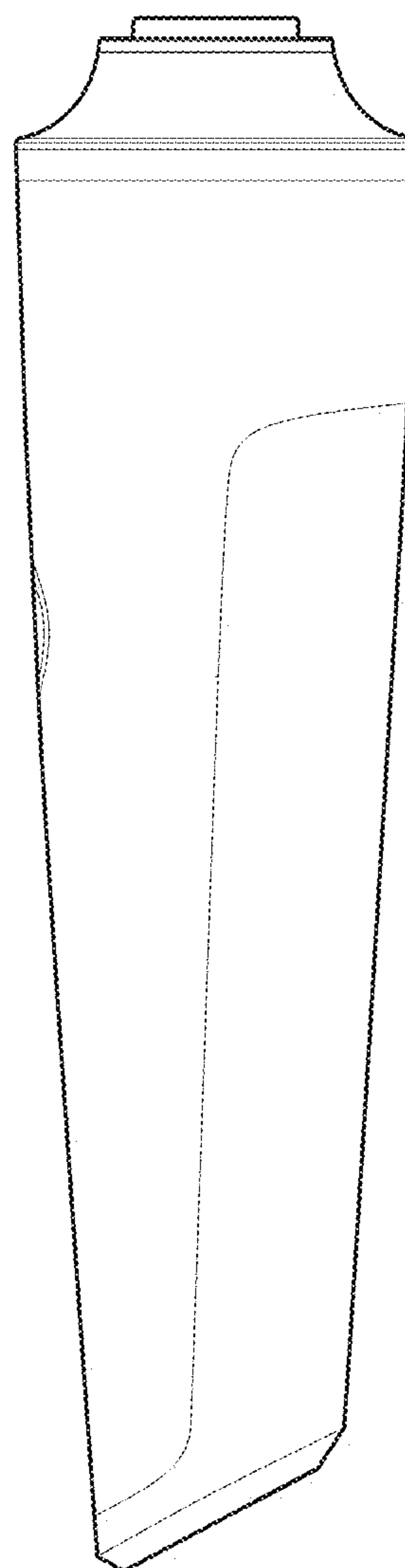


FIG. 19

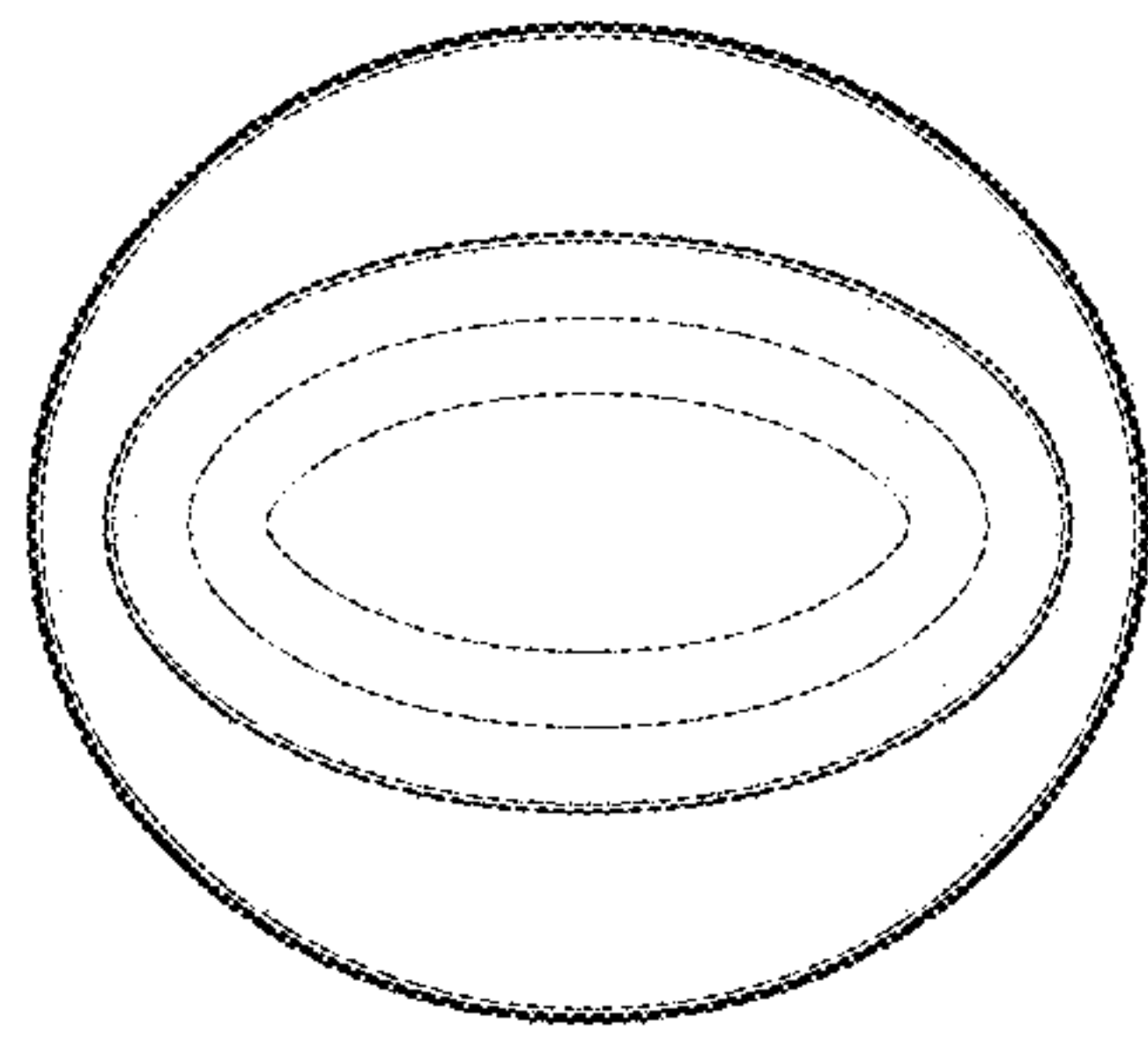


FIG. 20

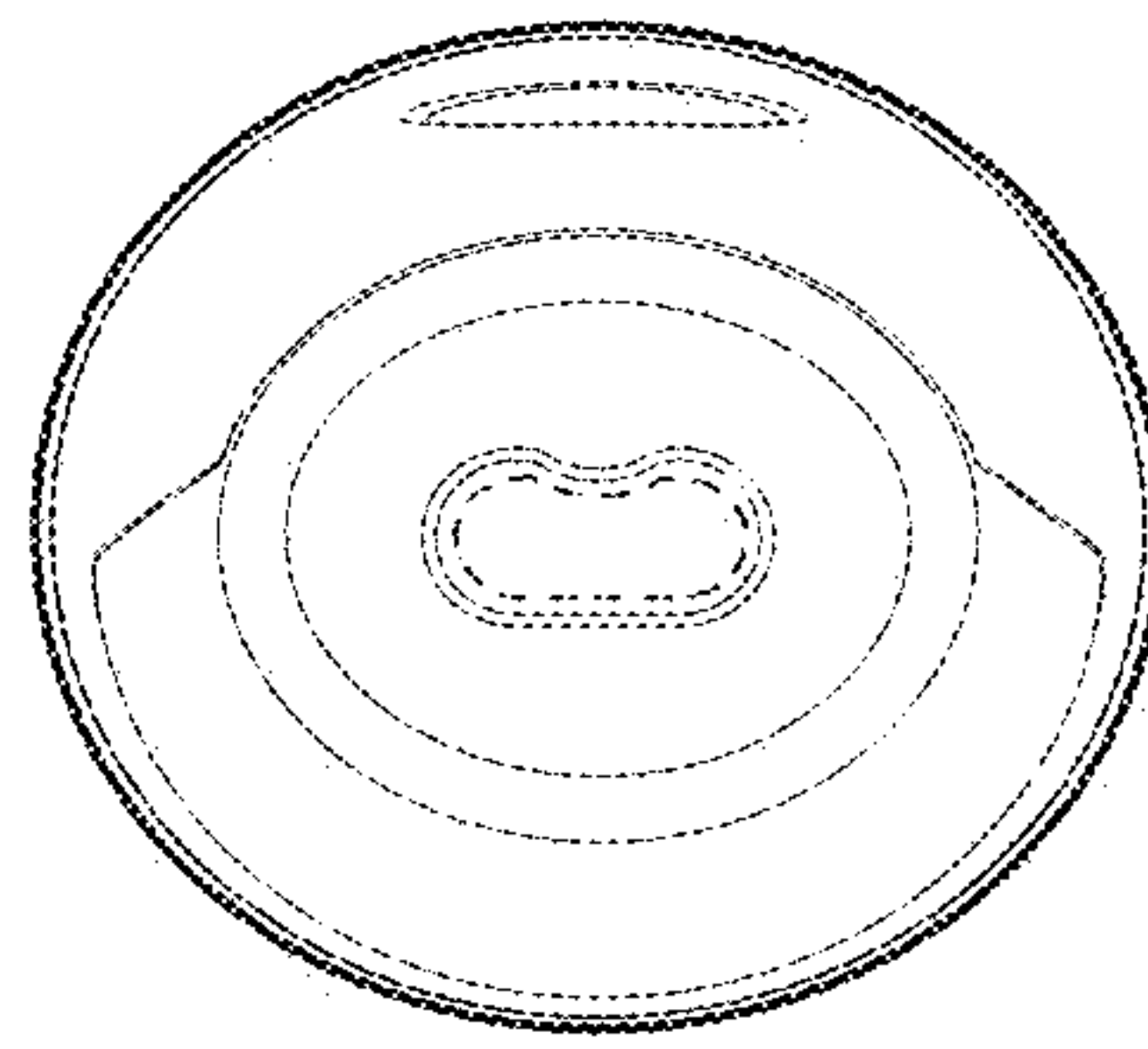


FIG. 21

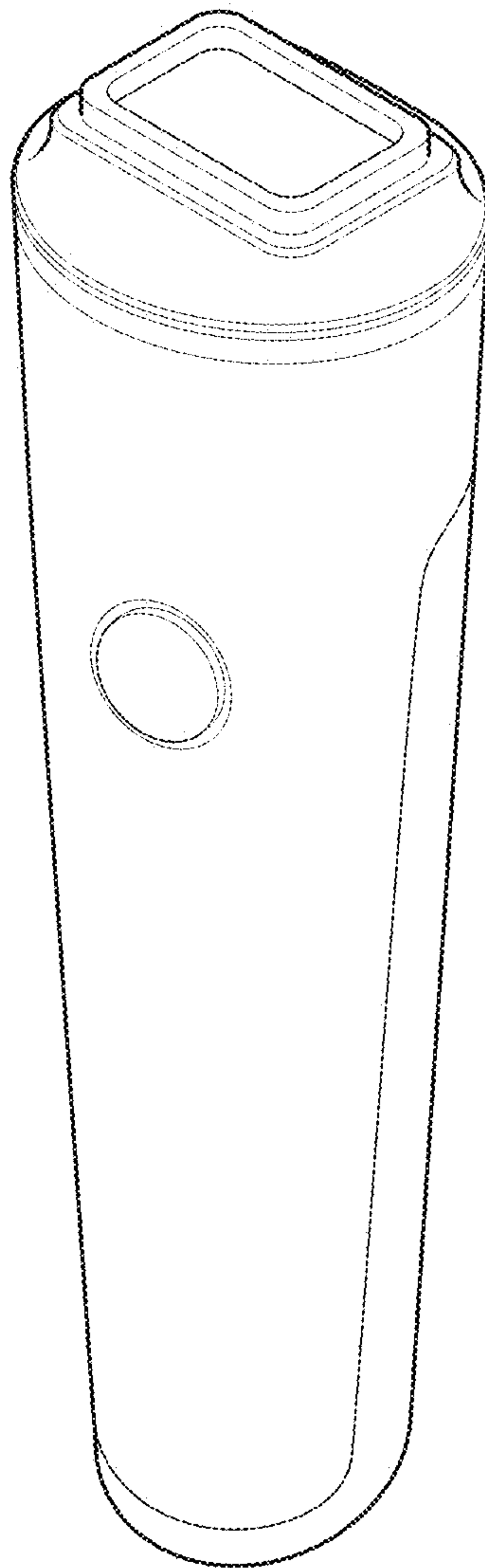


FIG. 22



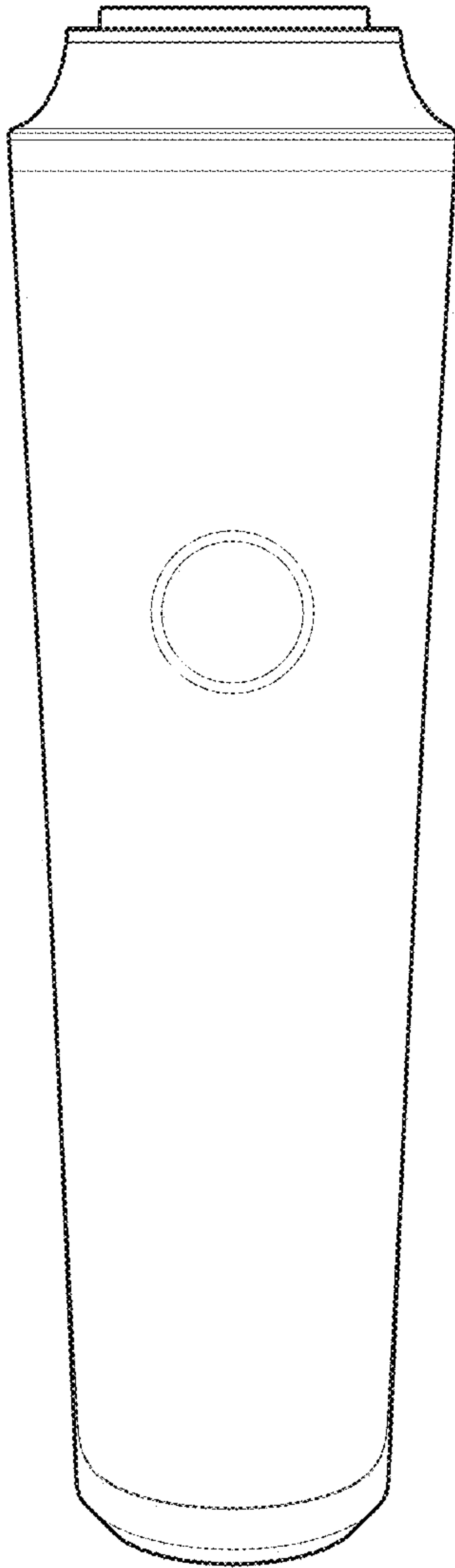


FIG. 23

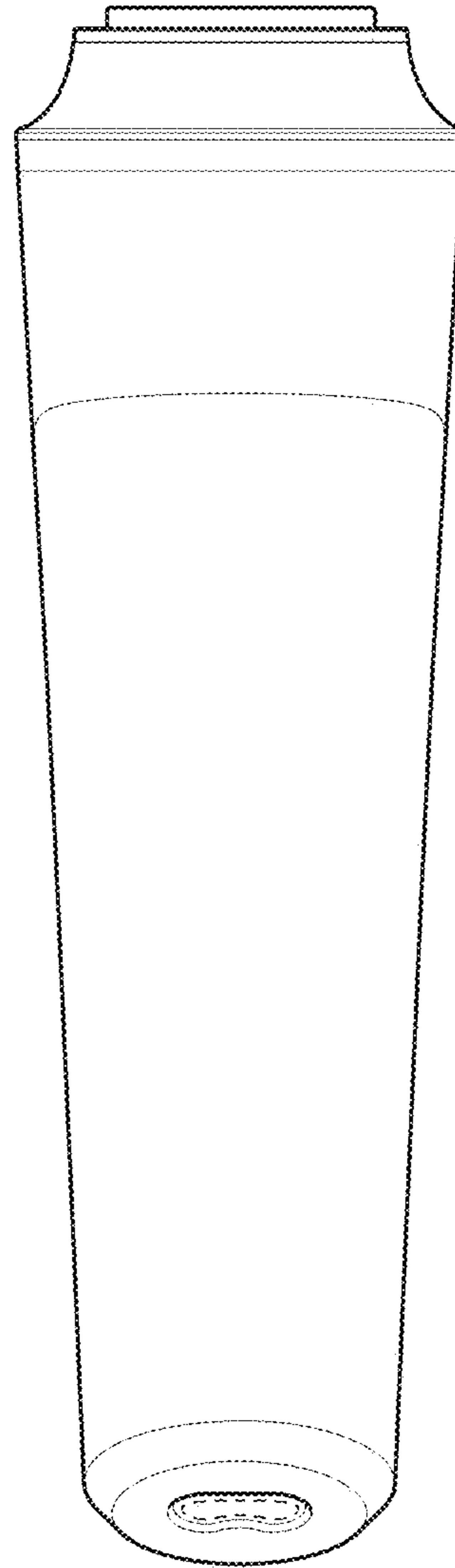


FIG. 24

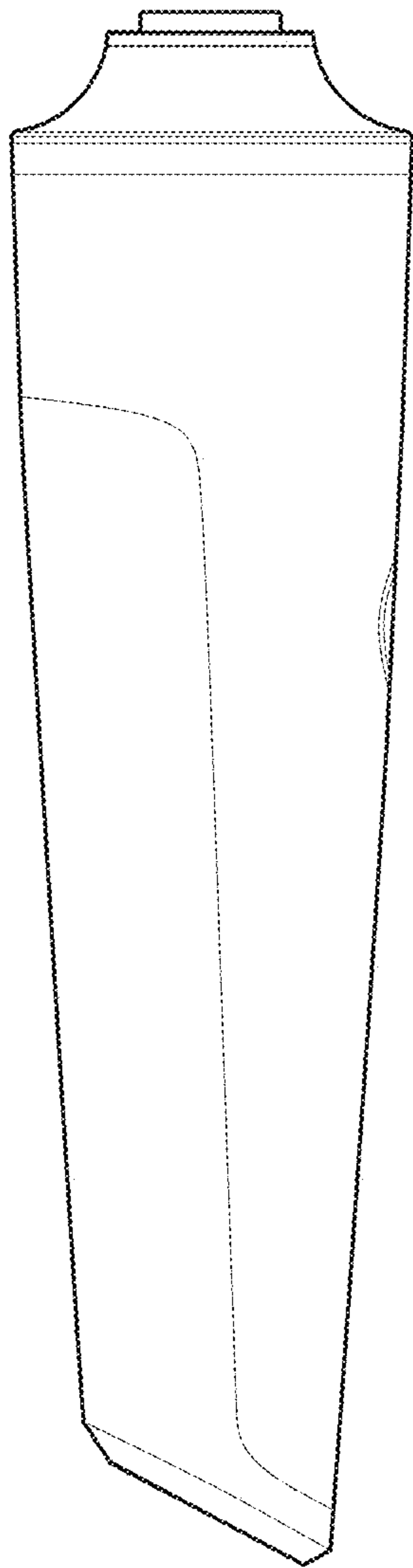


FIG. 25

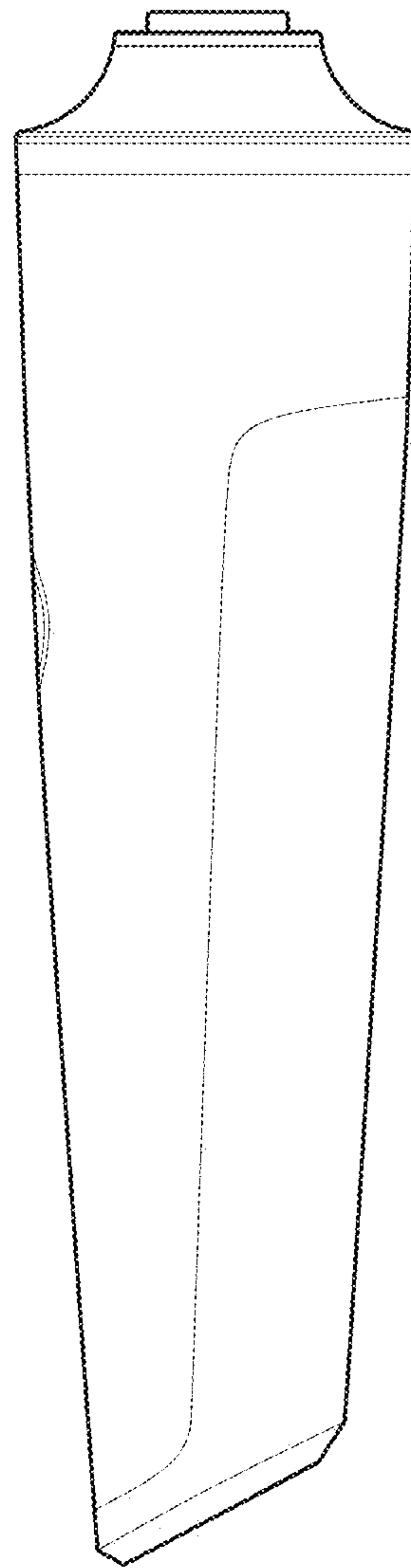


FIG. 26

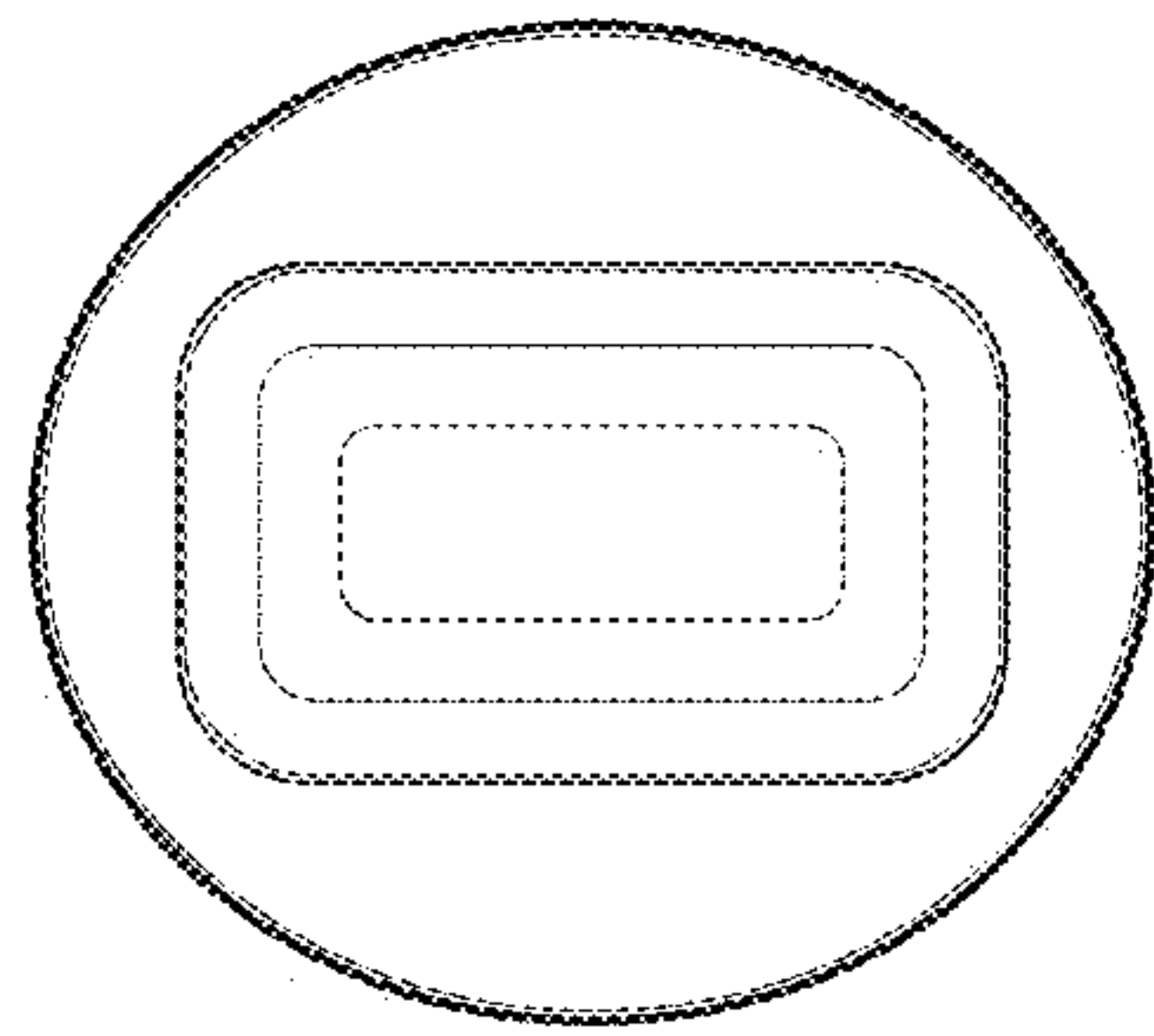


FIG. 27

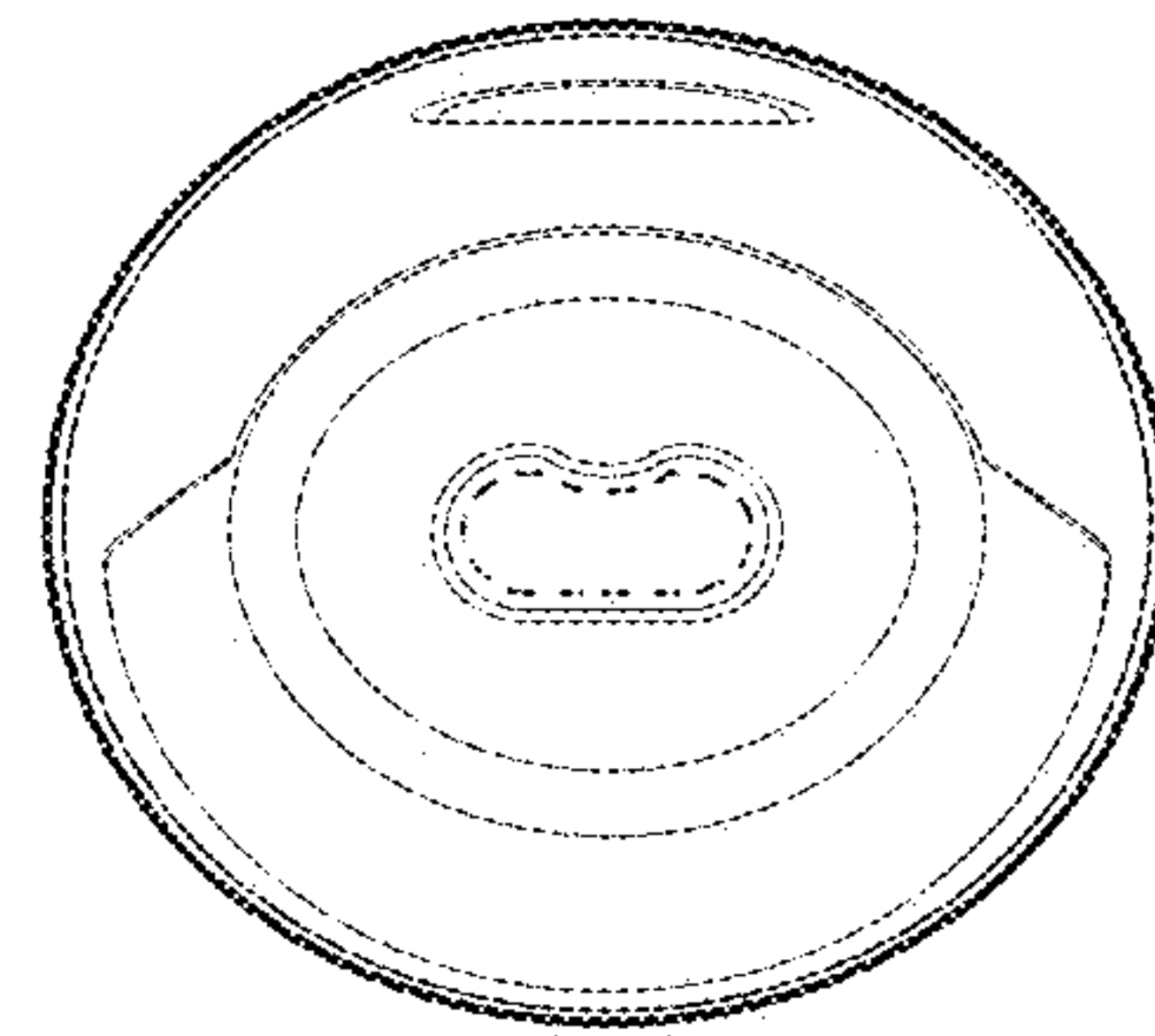


FIG. 28