



US00D935028S

(12) **United States Design Patent**
Harmer et al.

(10) **Patent No.:** **US D935,028 S**

(45) **Date of Patent:** **** Nov. 2, 2021**

- (54) **FOUR SIDED TETRAHEDRAL**
- (71) Applicant: **Endomagnetics LTD**, Cambridge (GB)
- (72) Inventors: **Quentin Harmer**, Cambridge (GB);
Kevin Lorimer, Cambridge (GB)
- (73) Assignee: **ENDOMAGNETICS LTD**
- (**) Term: **15 Years**

- (21) Appl. No.: **29/725,179**
- (22) Filed: **Feb. 23, 2020**
- (51) **LOC (13) Cl.** **24-02**
- (52) **U.S. Cl.**
USPC **D24/170**
- (58) **Field of Classification Search**
USPC D8/1; D24/127, 144, 156, 170, 187, 231,
D24/232; D21/400, 404, 481, 482
CPC .. A61B 2017/00022; A61B 2034/2046; A61B
2034/2061; A61B 2034/2068; A61F 2/00;
A61F 2/02; A61F 2/28; A61F 2/50; A61F
2002/5058; A61F 2002/5064; A61N 1/20
See application file for complete search history.

(56) **References Cited**

U.S. PATENT DOCUMENTS

- 3,402,741 A * 9/1968 Yurdin F16L 11/12
138/118
- 4,979,759 A * 12/1990 Solovay B62H 3/10
211/17
- D341,071 S * 11/1993 Prusak D8/300
- D375,472 S * 11/1996 Slater D12/120
- D459,804 S * 7/2002 Koros D24/135
- D504,362 S * 4/2005 Thompson D12/115
- 7,789,410 B1 * 9/2010 White B62H 3/10
280/293
- D673,685 S * 1/2013 Cunningham D24/170
- D683,995 S * 6/2013 Logothetis D6/718.12

- D899,595 S * 10/2020 Lin D24/144
- 2014/0268863 A1 * 9/2014 Rimsky F21S 11/007
362/557
- 2019/0223975 A1 * 7/2019 Agostinelli A61B 5/062
- 2021/0153970 A1 * 5/2021 Agostinelli A61B 90/39

FOREIGN PATENT DOCUMENTS

- GB 9007693270-0001 * 2/2020

OTHER PUBLICATIONS

Amazon, "Excel PST-004 Gold Universal Triangle Motorcycle Stand", first available Jan. 30, 2007. (<https://www.amazon.com/Excel-PST-004-Universal-Triangle-Motorcycle/dp/B000GZQJAE/>) (Year: 2007).*

Hammock Forums, "Another DIY Tensahedron Hammock Stand", first available Jan. 19, 2019. (<https://www.hammockforums.net/forum/showthread.php/151775-Another-DIY-Tensahedron-Hammock-Stand>) (Year: 2019).*

(Continued)

Primary Examiner — Lauren D McVey
Assistant Examiner — Justin A Johnson
(74) *Attorney, Agent, or Firm* — K&L Gates LLP

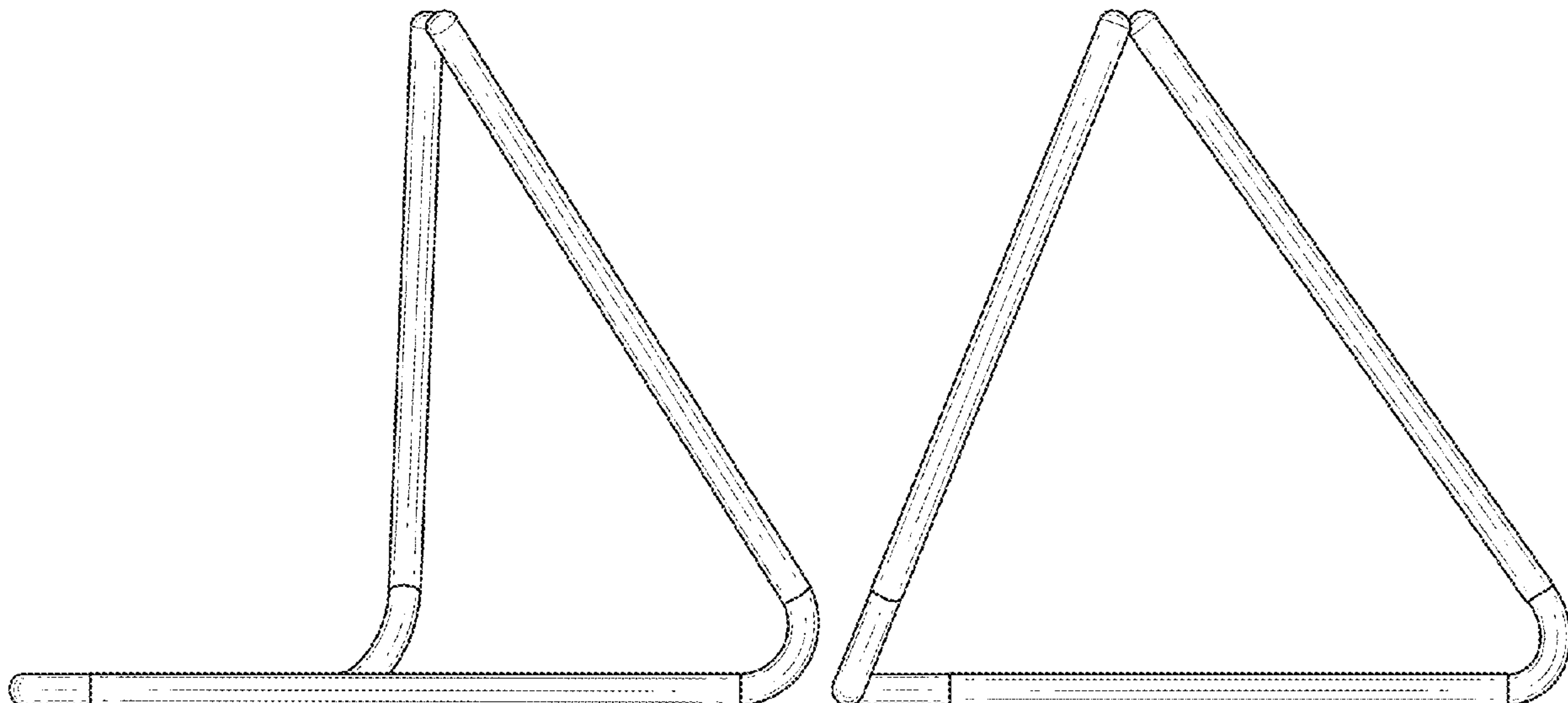
(57) **CLAIM**

The ornamental design for a four sided tetrahedral, as shown and described.

DESCRIPTION

FIG. 1 is a perspective view of a four sided tetrahedral showing my new design;
FIG. 2 is a front view thereof;
FIG. 3 is a rear view thereof;
FIG. 4 is a left side elevation view thereof;
FIG. 5 is a right side elevation view thereof;
FIG. 6 is a top plan view thereof; and,
FIG. 7 is a bottom plan view thereof.

1 Claim, 7 Drawing Sheets



(56)

References Cited

OTHER PUBLICATIONS

Tensa Outdoor, "Make your own tensahedron stand", first available Jun. 17, 2019. (<https://www.tensaoutdoor.com/make-your-own-tensahedron-stand/>) (Year: 2019).*

Xtreme Power USA, "Adjustable Hammock Stand Hammocks Chair Swings Hanging Chairs Steel Frame", first accessed Jun. 22, 2021. (<https://xtremepowerusa.com/products/adjustable-hammock-stand-hammocks-chair-swings-hanging-chairs-steel-frame>) (Year: 2021).*

* cited by examiner

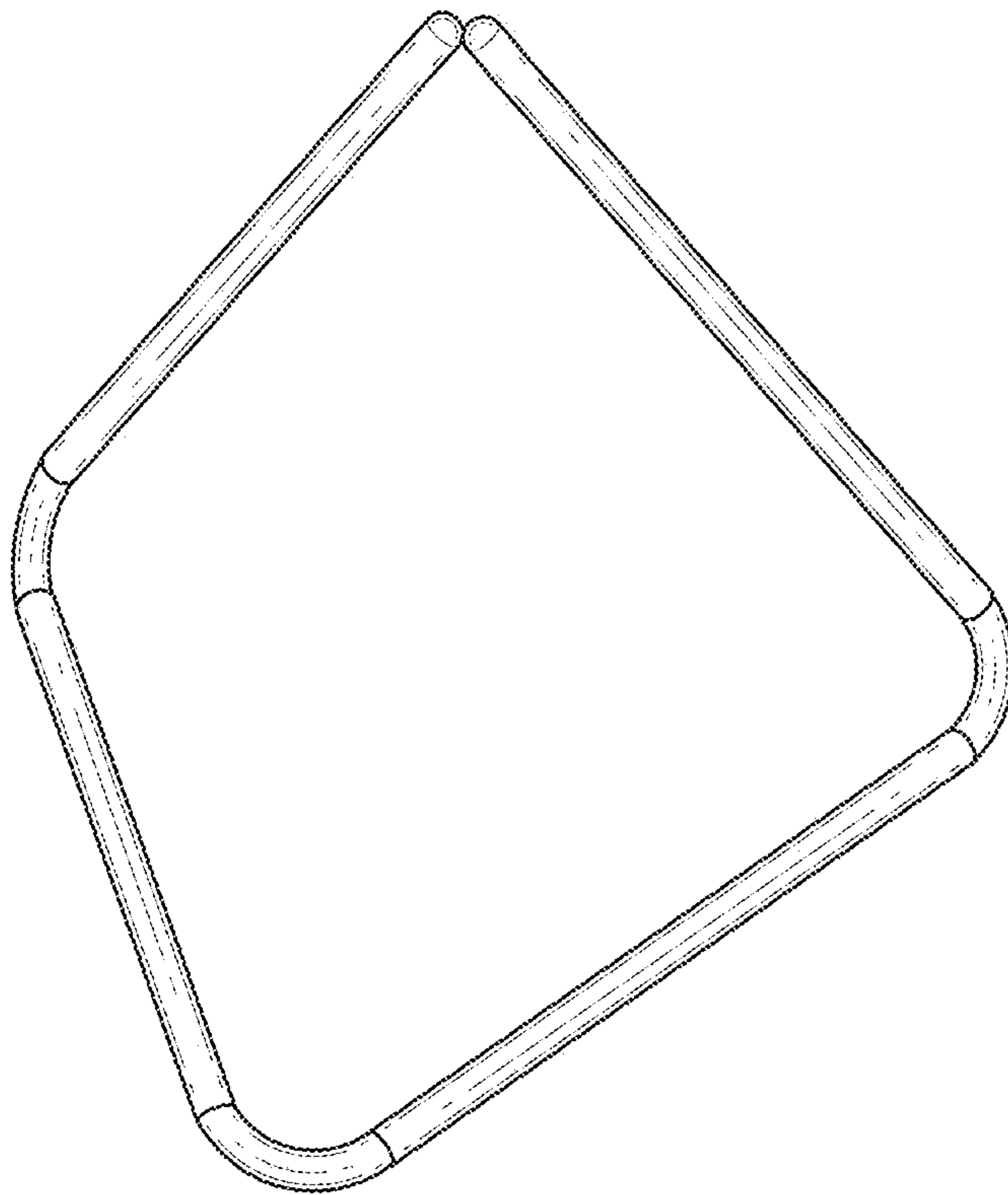


FIG. 1

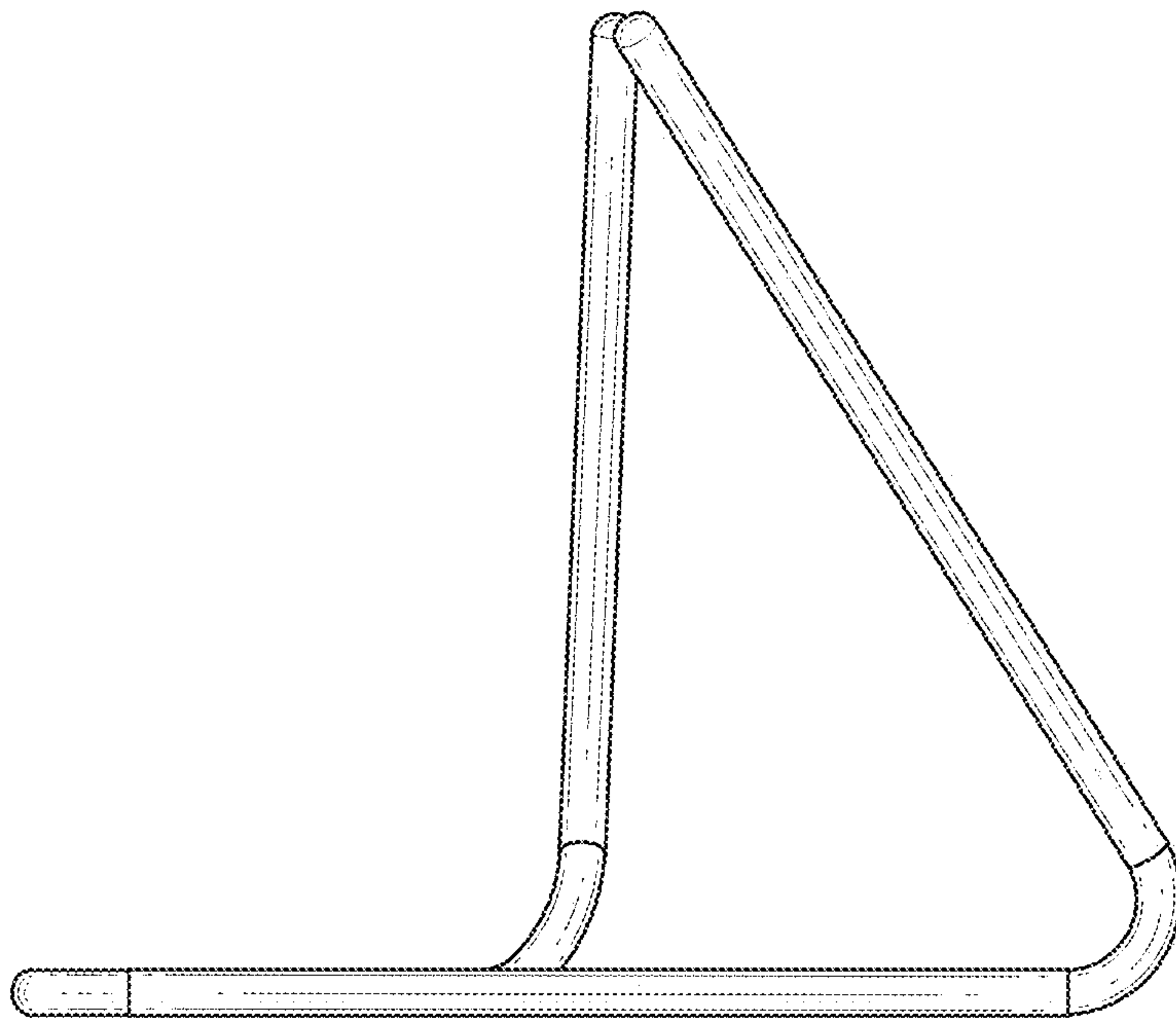


FIG. 2

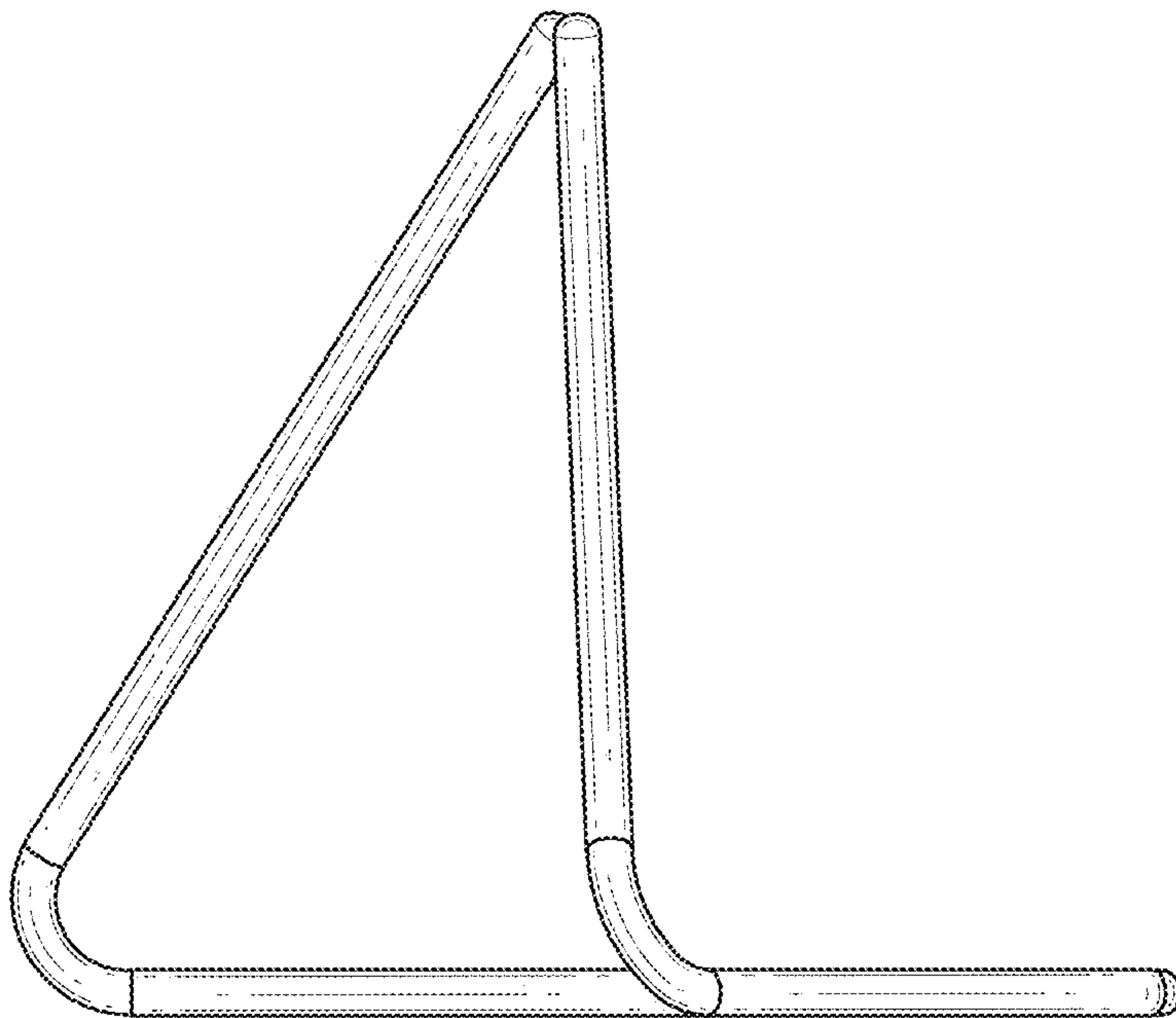


FIG. 3

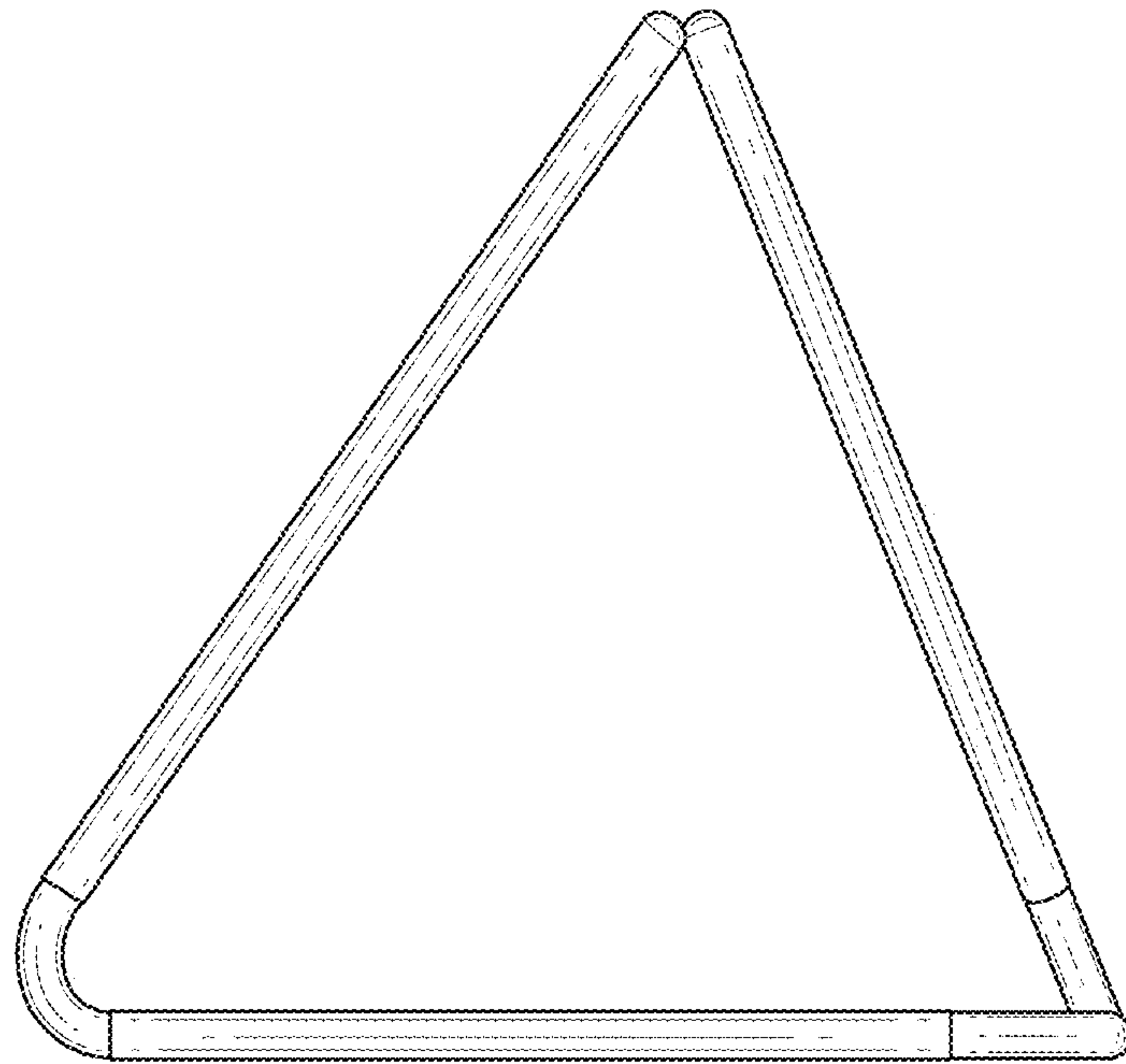


FIG. 4

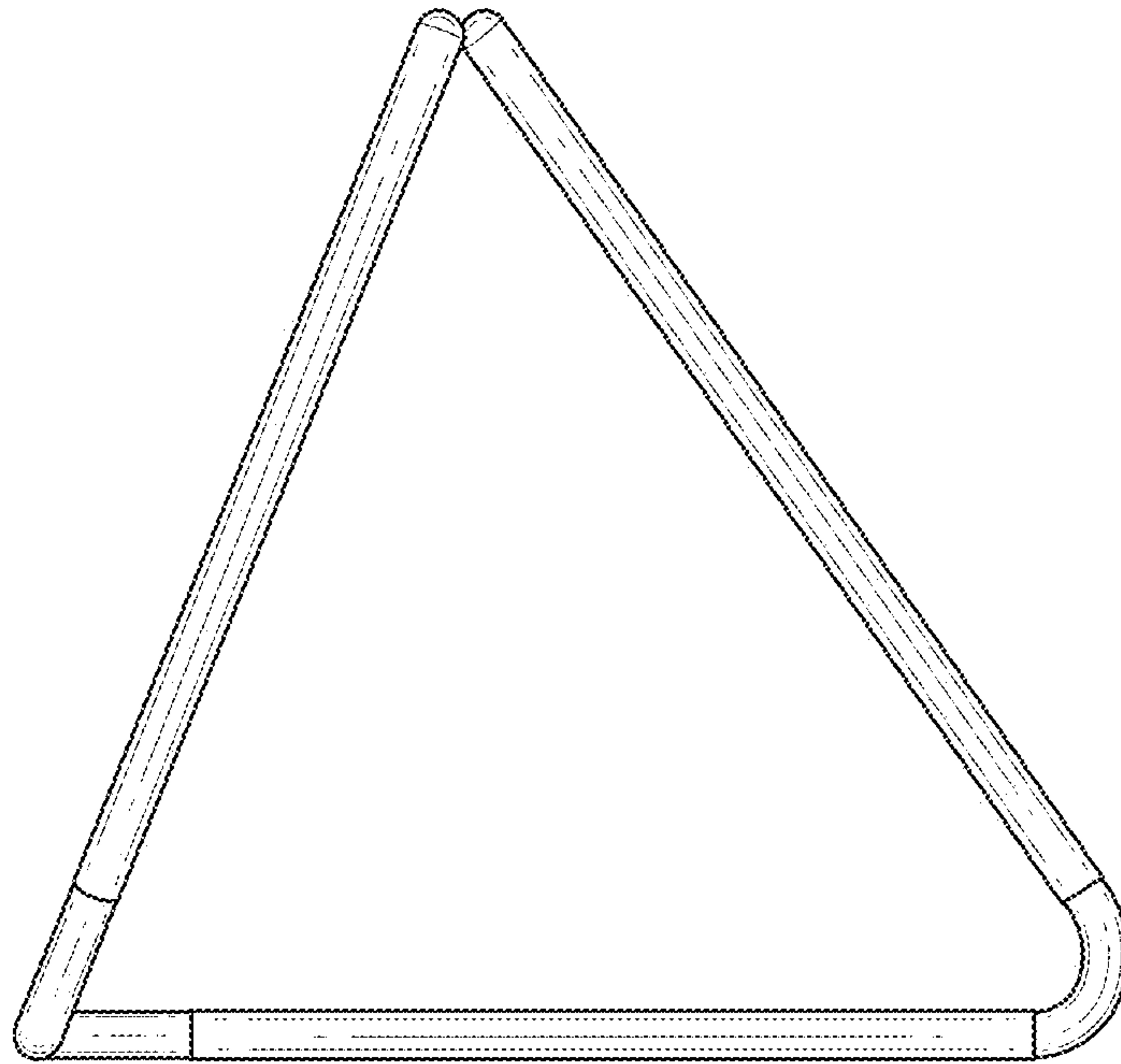


FIG. 5

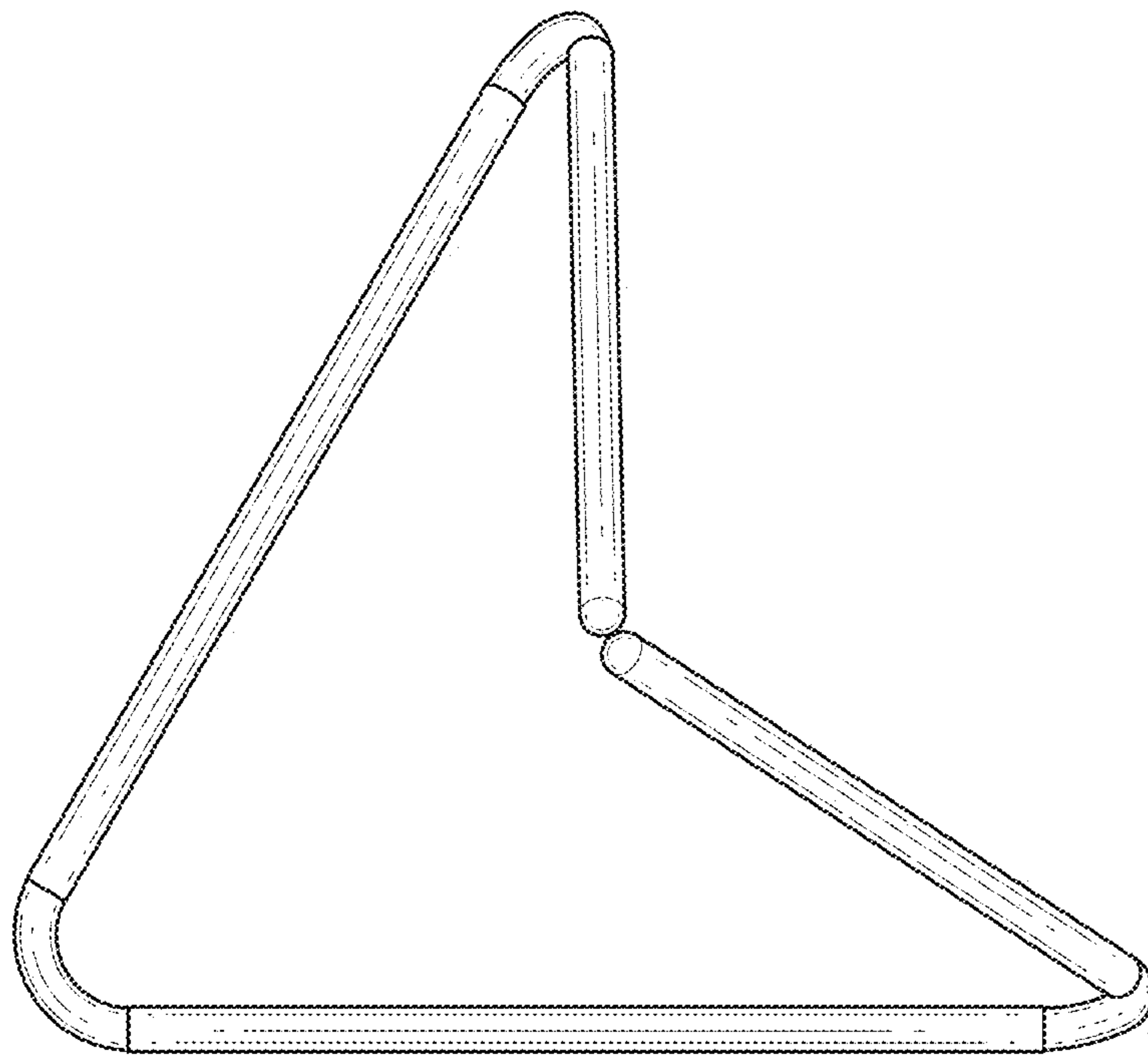


FIG. 6

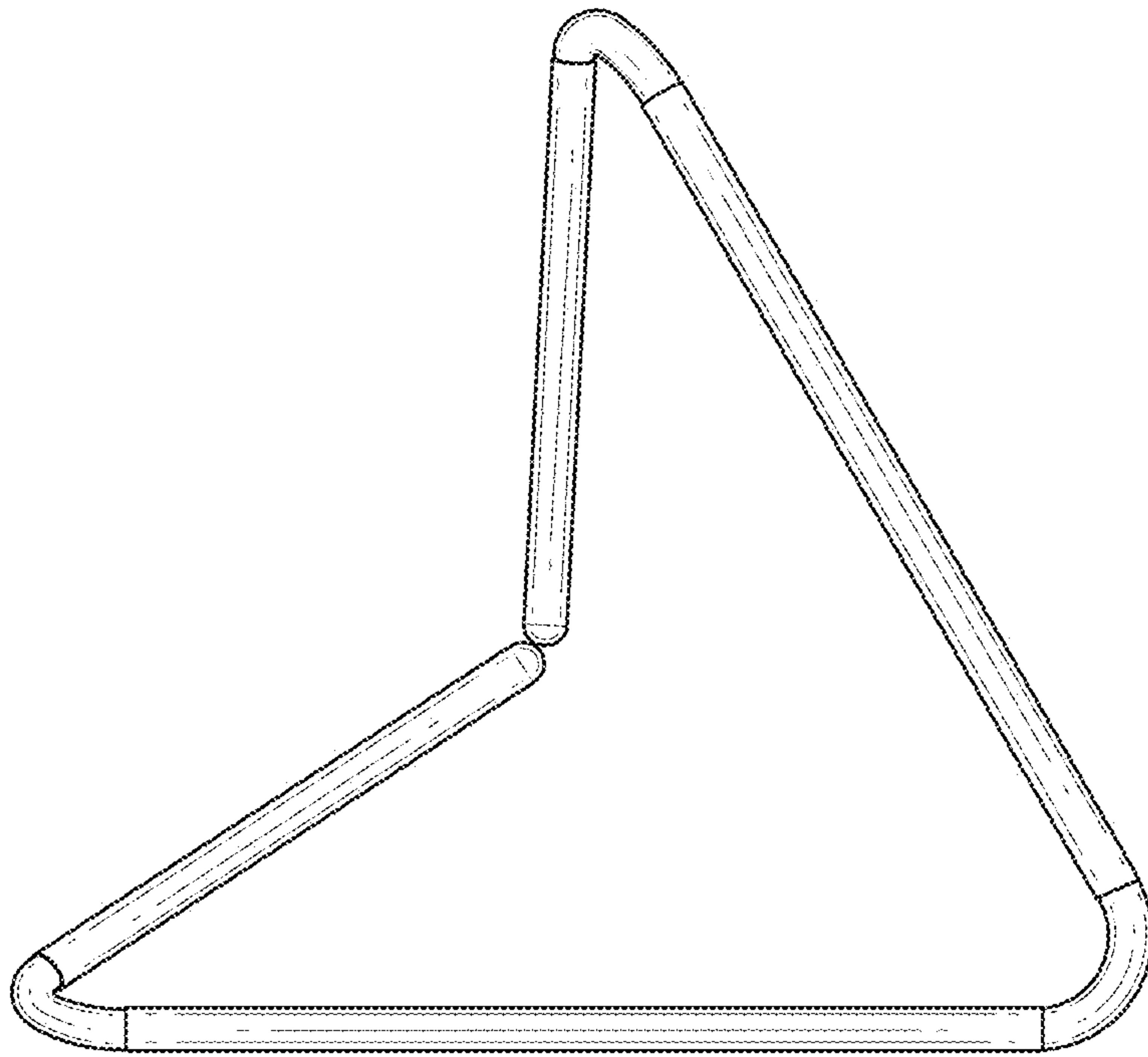


FIG. 7