



US00D935027S

(12) **United States Design Patent**
Larrow et al.

(10) **Patent No.:** **US D935,027 S**
(45) **Date of Patent:** **** Nov. 2, 2021**

(54) **COOLING DEVICE**

(71) Applicant: **CoolTech, LLC**, Baltimore, MD (US)

(72) Inventors: **Chester B. Larrow**, Baltimore, MD (US); **William G. DeMore**, Laurel, MD (US); **Benjamin R. Lane**, Hydes, MD (US); **Aaron S. Pearl**, Marlborough, MA (US)

(73) Assignee: **COOLTECH, LLC**, Baltimore, MD (US)

(**) Term: **15 Years**

(21) Appl. No.: **29/678,319**

(22) Filed: **Jan. 28, 2019**

Related U.S. Application Data

(63) Continuation-in-part of application No. 16/047,136, filed on Jul. 27, 2018.

(51) **LOC (13) Cl.** **24-02**

(52) **U.S. Cl.**
USPC **D24/164**; D24/110; D24/167; D24/206

(58) **Field of Classification Search**
USPC D24/107, 133, 137, 138, 141, 147, D24/158-161, 164, 165, 167, 170, D24/185-187, 130, 112, 113, 146, 200, D24/216, 223, 231-234, 168, 23, 110; D10/57, 60, 78, 80, 81, 70, 75, 98; D6/709; D14/420, 126, 336, 371, 374, D14/448; D23/370, 332; D15/144
CPC A61B 17/0469; A61B 17/0482; A61B 2017/2927; A61B 8/0437; A61B 8/0883; A61B 8/4405; A61B 8/4427; A61B 8/445; A61B 5/742; A61B 5/7425; A61B 5/6898; A61B 5/02405; A61B 5/02411; A61B 5/02427; A61B 5/02438; A61B 5/0002; A61B 5/002; A61B 5/04325;

B41J 2/17513; G01N 21/0483; G01N 21/0303; G01N 21/6428; G01N 21/6486; G01N 35/00029; G01N 35/00019; G01N 2035/00326; A62B 9/003

See application file for complete search history.

(56) **References Cited**

U.S. PATENT DOCUMENTS

D256,783 S *	9/1980	Moon	D10/56
D256,785 S *	9/1980	Salsgiver	D10/81
D264,691 S *	6/1982	Volkland	D10/75
D273,039 S *	3/1984	Behrens	D10/46
D277,602 S *	2/1985	Benson	D15/7
D277,603 S *	2/1985	D'Alo	D24/111

(Continued)

Primary Examiner — T Chase Nelson

Assistant Examiner — Kelly L Gross

(74) *Attorney, Agent, or Firm* — Whiteford, Taylor & Preston, LLP; Peter J. Davis

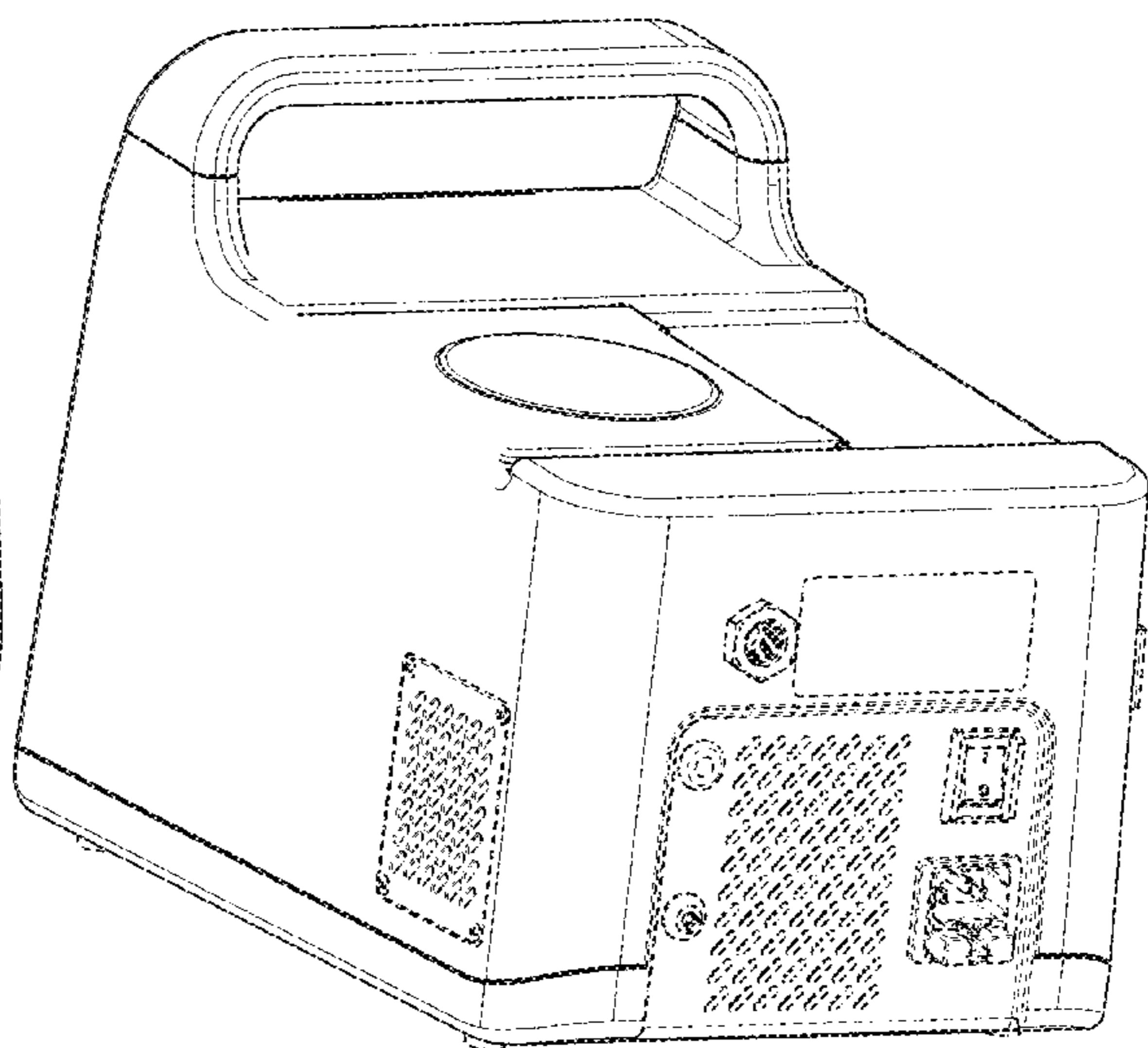
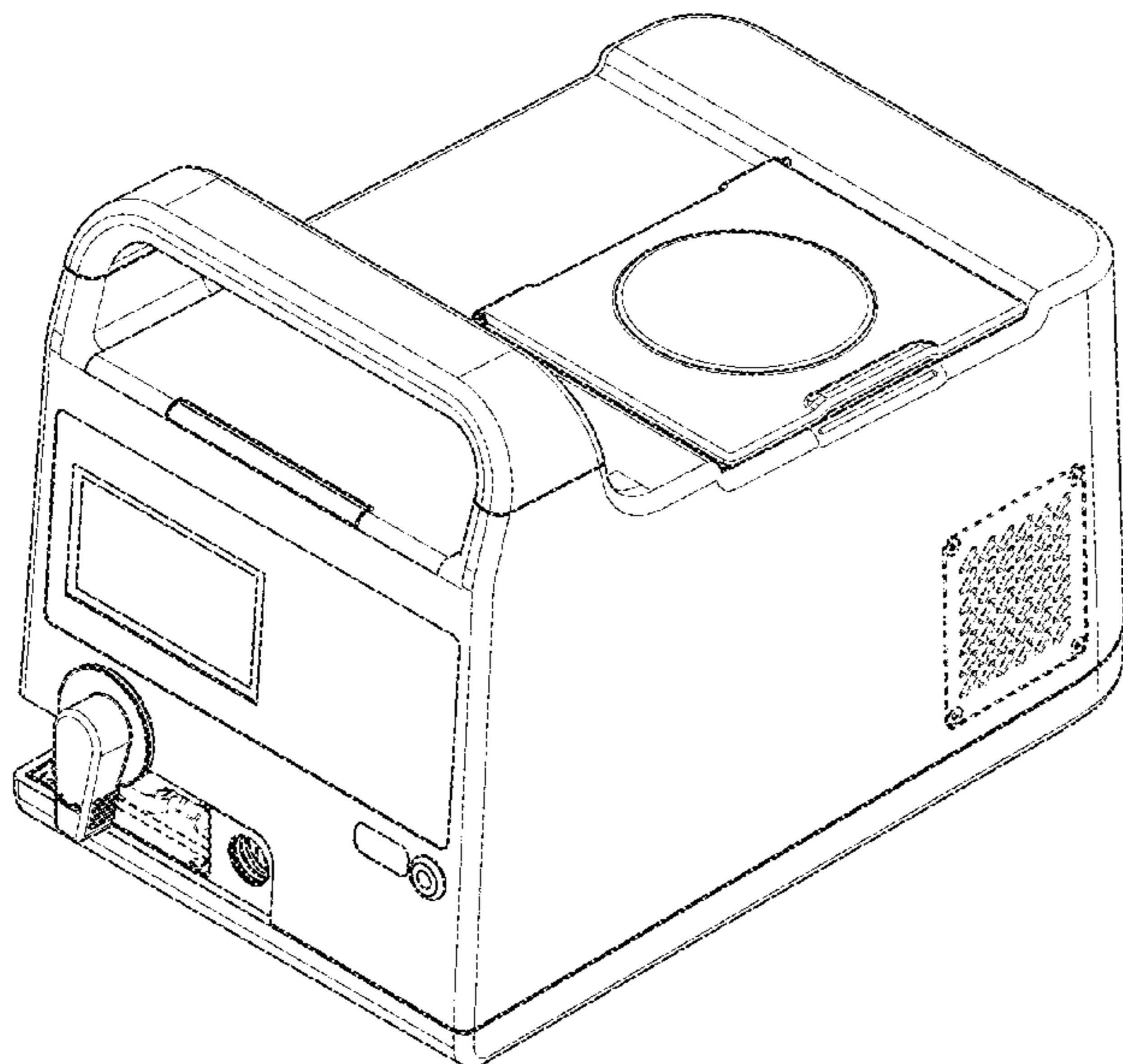
(57) **CLAIM**

The ornamental design for a cooling device, as shown and described.

DESCRIPTION

FIG. 1 is a top plan view of a cooling device; FIG. 2 is top right side perspective view thereof; FIG. 3 is left side elevational view thereof; FIG. 4 is a front elevational view thereof; FIG. 5 is a right side elevational view thereof; FIG. 6 is a rear elevational view thereof; FIG. 7 is a bottom front right side perspective view thereof; FIG. 8 is a bottom front left side perspective view thereof; FIG. 9 is a top rear left side perspective view thereof; and, FIG. 10 is a top rear right side perspective view thereof. The broken lines show portions of the cooling device that form no part of the claimed design.

1 Claim, 10 Drawing Sheets



(56)

References Cited

U.S. PATENT DOCUMENTS

D330,171	S	*	10/1992	Wilson	D10/46	D730,535	S	*	5/2015	Gutmann	D24/216
D344,339	S	*	2/1994	Yoshikawa	D24/169	D734,489	S	*	7/2015	Henderson	D24/219
D344,527	S	*	2/1994	Drago	D15/79	D734,856	S	*	7/2015	Weichert	D24/186
D381,756	S	*	7/1997	Ohnuma	D24/231	D734,858	S	*	7/2015	Weichert	D24/186
D395,513	S	*	6/1998	Rogler	D24/186	D735,344	S	*	7/2015	Weichert	D24/186
D402,741	S	*	12/1998	Chen	D23/335	D735,878	S	*	8/2015	Chang	D24/216
D424,458	S	*	5/2000	Hanson	D10/81	D738,243	S	*	9/2015	Selberg	D10/81
D449,842	S	*	10/2001	Borre	D15/79	D739,537	S	*	9/2015	Hacker	D24/185
D455,410	S	*	4/2002	Maruyama	D14/126	D742,013	S	*	10/2015	Helgeson	D24/164
D456,020	S	*	4/2002	Obata	D14/336	D748,806	S	*	2/2016	Coonahan	D24/186
D467,257	S	*	12/2002	Andersson	D15/144	D752,240	S	*	3/2016	Chan	D24/216
D469,181	S	*	1/2003	Nilson	D24/158	D752,665	S	*	3/2016	Kindig	D15/144
D482,796	S	*	11/2003	Oyama	D24/232	D753,313	S	*	4/2016	Kim	D24/186
D493,520	S	*	7/2004	Bertinetti	D24/110	D754,626	S	*	4/2016	Evans	D15/144
D507,825	S	*	7/2005	Blateri	D23/335	D755,359	S	*	5/2016	Rentschler	D23/355
D508,998	S	*	8/2005	Ryan	D24/200	D755,405	S	*	5/2016	Zhu	D24/216
D513,068	S	*	12/2005	Blateri	D23/335	D759,250	S	*	6/2016	Engler	D24/170
D527,464	S	*	8/2006	Ina	D24/216	D765,258	S	*	8/2016	Marzynski	D24/186
D533,528	S	*	12/2006	Krieger	D14/129	9,474,484	B2	*	10/2016	Kinsley	A61M 16/024
D533,928	S	*	12/2006	Maegawa	D23/318	D770,617	S	*	11/2016	Huang	D24/138
D554,263	S	*	10/2007	Al-Ali	D24/186	D778,005	S	*	1/2017	Yao	D32/1
D556,914	S	*	12/2007	Okamoto	D24/233	D782,690	S	*	3/2017	Kurihara	D24/216
D564,475	S	*	3/2008	Yang	D14/129	D789,516	S	*	6/2017	Gill	D24/108
D569,526	S	*	5/2008	Duffy	D24/232	D794,211	S	*	8/2017	Ang	D24/232
D574,280	S	*	8/2008	Wakamatsu	D10/81	D794,762	S	*	8/2017	Flowers	D23/351
D577,429	S	*	9/2008	Teufel	D23/370	D797,918	S	*	9/2017	Genstler	D24/107
D588,276	S	*	3/2009	Isozaki	D24/232	D802,849	S	*	11/2017	Rinklake	D29/124
D592,754	S	*	5/2009	Koike	D24/186	D808,533	S	*	1/2018	Verguldi	D24/185
D600,814	S	*	9/2009	Lathrop	D24/186	D815,373	S	*	4/2018	Yao	D32/1
D610,260	S	*	2/2010	Moscovita	D24/167	D818,146	S	*	5/2018	Tanaka	D24/216
D617,437	S	*	6/2010	Matsuzaki	D23/364	D823,456	S	*	7/2018	Lacy	D24/111
D621,511	S	*	8/2010	Lathrop	D24/167	D825,776	S	*	8/2018	Quick	D24/232
D621,523	S	*	8/2010	Onuma	D24/234	D825,777	S	*	8/2018	Quick	D24/232
D629,112	S	*	12/2010	Immekus	D24/186	D828,654	S	*	9/2018	Yao	D32/1
D630,727	S	*	1/2011	Petrovic	D24/111	D839,430	S	*	1/2019	Diaz Carmena	D24/158
D631,160	S	*	1/2011	Schurg	D24/144	D844,147	S	*	3/2019	Benedikter	D24/177
D632,397	S	*	2/2011	Edwards	D24/186	D847,313	S	*	4/2019	Shen	D23/333
D635,681	S	*	4/2011	Edwards	D24/186	D853,457	S	*	7/2019	Lin	D15/144
D638,543	S	*	5/2011	Geisser	D24/138	D853,458	S	*	7/2019	Lin	D15/144
D643,117	S	*	8/2011	Onuma	D24/138	D853,579	S	*	7/2019	Newberg	D24/216
D643,130	S	*	8/2011	Oonuma	D24/232	D854,588	S	*	7/2019	Black	D15/81
D645,979	S	*	9/2011	Oonuma	D24/232	D857,862	S	*	8/2019	O'Brien	D23/325
D669,181	S	*	10/2012	Prado	D24/158	D864,415	S	*	10/2019	Norton	D24/232
D670,393	S	*	11/2012	Nygaardh	D24/169	D868,228	S	*	11/2019	Schmitt	D23/329
D675,335	S	*	1/2013	Feuerabend	D24/216	D869,684	S	*	12/2019	Ma	D24/232
D676,554	S	*	2/2013	Moon	D24/158	D873,875	S	*	1/2020	Hruska	D15/144
D676,976	S	*	2/2013	Walsh	D24/216	D874,017	S	*	1/2020	Jenoski	D24/216
D681,845	S	*	5/2013	Matsuguma	D24/232	D875,945	S	*	2/2020	Brose	D24/164
D682,414	S	*	5/2013	Chen	D24/107	D877,062	S	*	3/2020	Yin	D13/102
D685,499	S	*	7/2013	Kimura	D24/232	D878,599	S	*	3/2020	Eslava	D24/186
D686,335	S	*	7/2013	Feuerabend	D24/216	D879,948	S	*	3/2020	Bunoz	D24/111
D688,959	S	*	9/2013	Arvidsson	D10/70	D883,206	S	*	5/2020	Bai	D13/110
D689,193	S	*	9/2013	Shinohara	D24/216	D883,510	S	*	5/2020	Neuman	D24/216
D689,864	S	*	9/2013	Vaughan	D14/421	D884,042	S	*	5/2020	Shu	D15/144
D691,250	S	*	10/2013	Chan	D23/332	D886,503	S	*	6/2020	Seum	D7/306
D693,018	S	*	11/2013	Zdinak	D24/216	D888,789	S	*	6/2020	Gou	D15/144.2
D693,477	S	*	11/2013	Isozaki	D24/216	D890,753	S	*	7/2020	Iasso	D14/384
D696,393	S	*	12/2013	Lu	D24/110	D891,954	S	*	8/2020	Ruzzi	D10/70
D696,760	S	*	12/2013	Wolf, II	D23/364	D892,352	S	*	8/2020	Huang	D24/232
D697,099	S	*	1/2014	Berengut	D15/144	D895,122	S	*	9/2020	Benedikter	D24/177
D700,231	S	*	2/2014	Berkmortel	D16/203	D895,386	S	*	9/2020	Nemoto	D8/29.1
D703,735	S	*	4/2014	Best	D18/50	D900,986	S	*	11/2020	Chan	D23/335
D703,736	S	*	4/2014	Best	D18/50	D901,484	S	*	11/2020	Andre	D14/315
8,702,624	B2	*	4/2014	Alden	A61B 5/151	D902,435	S	*	11/2020	Dutra	D24/232
						600/583	D903,872	S	*	12/2020	Wang	D24/169
D706,239	S	*	6/2014	Chen	D14/186	D907,245	S	*	1/2021	Rateike	D24/232
D707,843	S	*	6/2014	Meziere	D24/216	D907,761	S	*	1/2021	Dorel	D24/107
D707,844	S	*	6/2014	Hilbey	D24/216	D909,298	S	*	2/2021	Garvey	D13/110
D709,466	S	*	7/2014	Sugita	D14/126	D909,605	S	*	2/2021	Mathers	D24/232
D711,004	S	*	8/2014	Chen	D24/186	D911,404	S	*	2/2021	Gou	D15/144.2
D724,219	S	*	3/2015	Daynes	D24/167	D912,113	S	*	3/2021	Gou	D15/144.2
D724,220	S	*	3/2015	Sun	D24/167	D913,519	S	*	3/2021	Raghu	D24/216
D724,773	S	*	3/2015	Ryu	D26/63	D913,523	S	*	3/2021	Gardner	D24/232
D726,294	S	*	4/2015	Bacigalupo	D23/318	D914,071	S	*	3/2021	Dekker	D15/144
D726,302	S	*	4/2015	Hanna	D24/108	D914,884	S	*	3/2021	Glassett	D24/170
							D917,039	S	*	4/2021	Chen	D24/108
							D920,403	S	*	5/2021	Gou	D15/144

(56)

References Cited

U.S. PATENT DOCUMENTS

D920,404 S * 5/2021 Gou D15/144
D920,405 S * 5/2021 Gou D15/144.2
D922,605 S * 6/2021 Berkeley D24/217

* cited by examiner

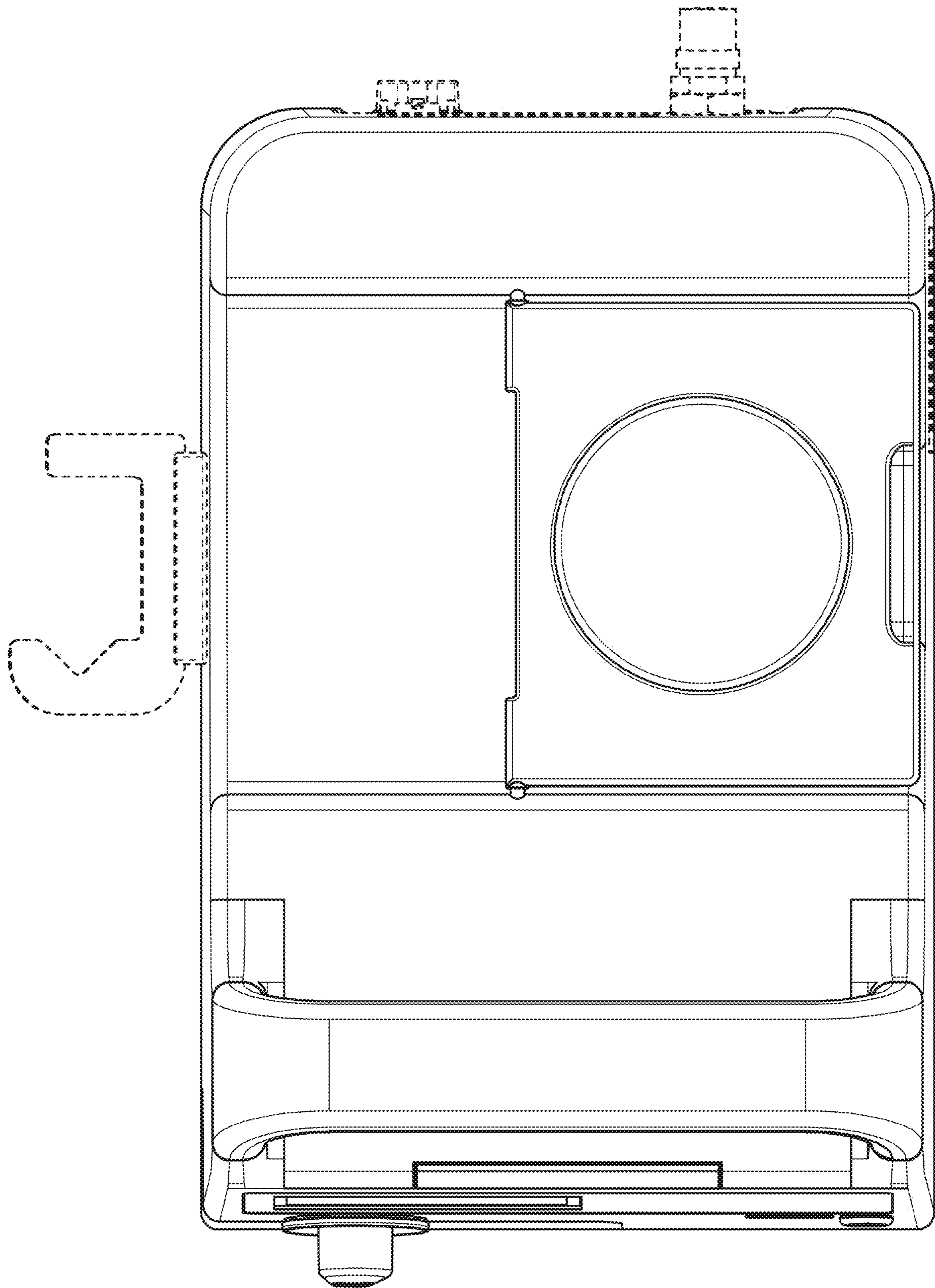


FIG. 1

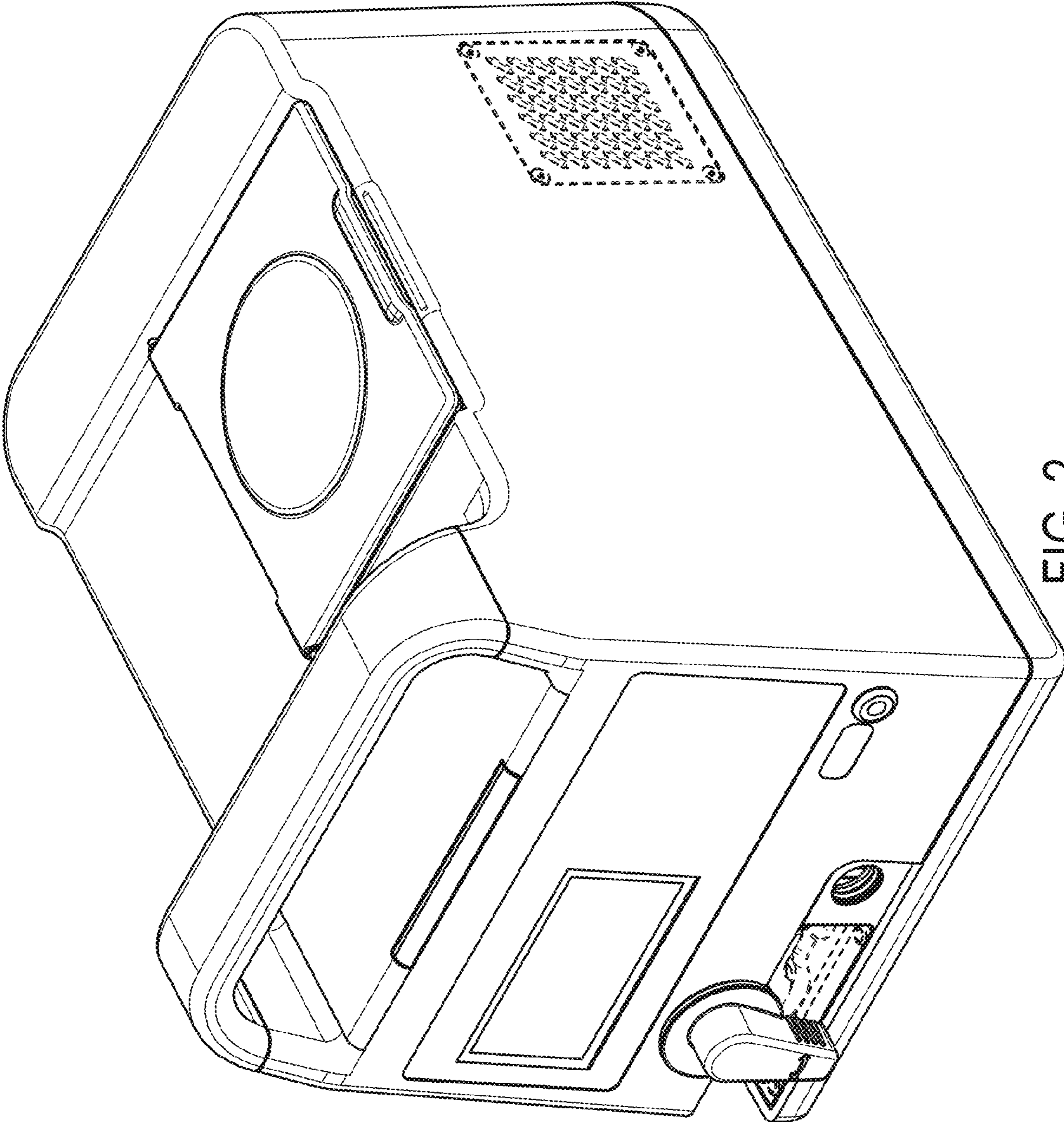


FIG. 2

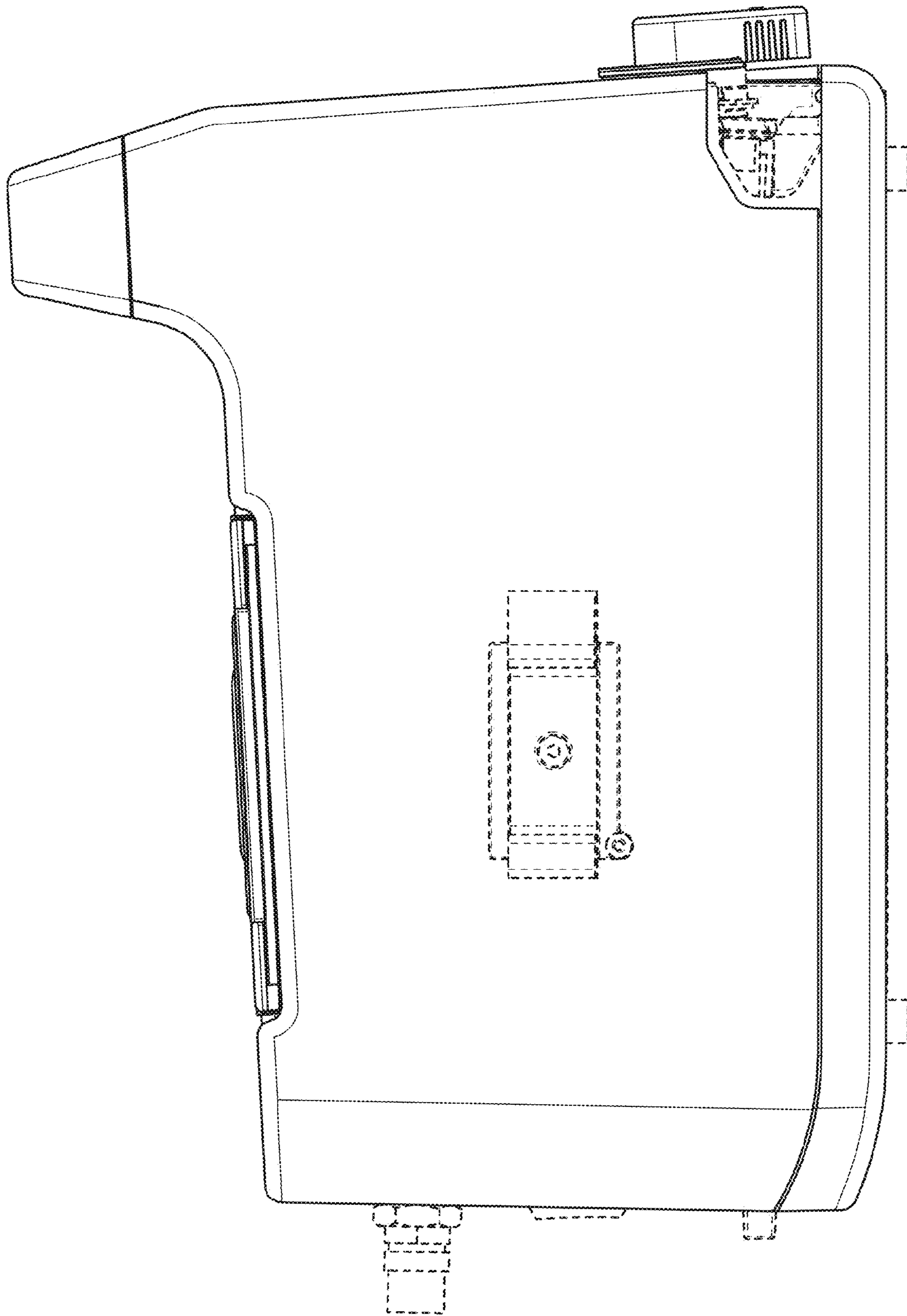


FIG. 3

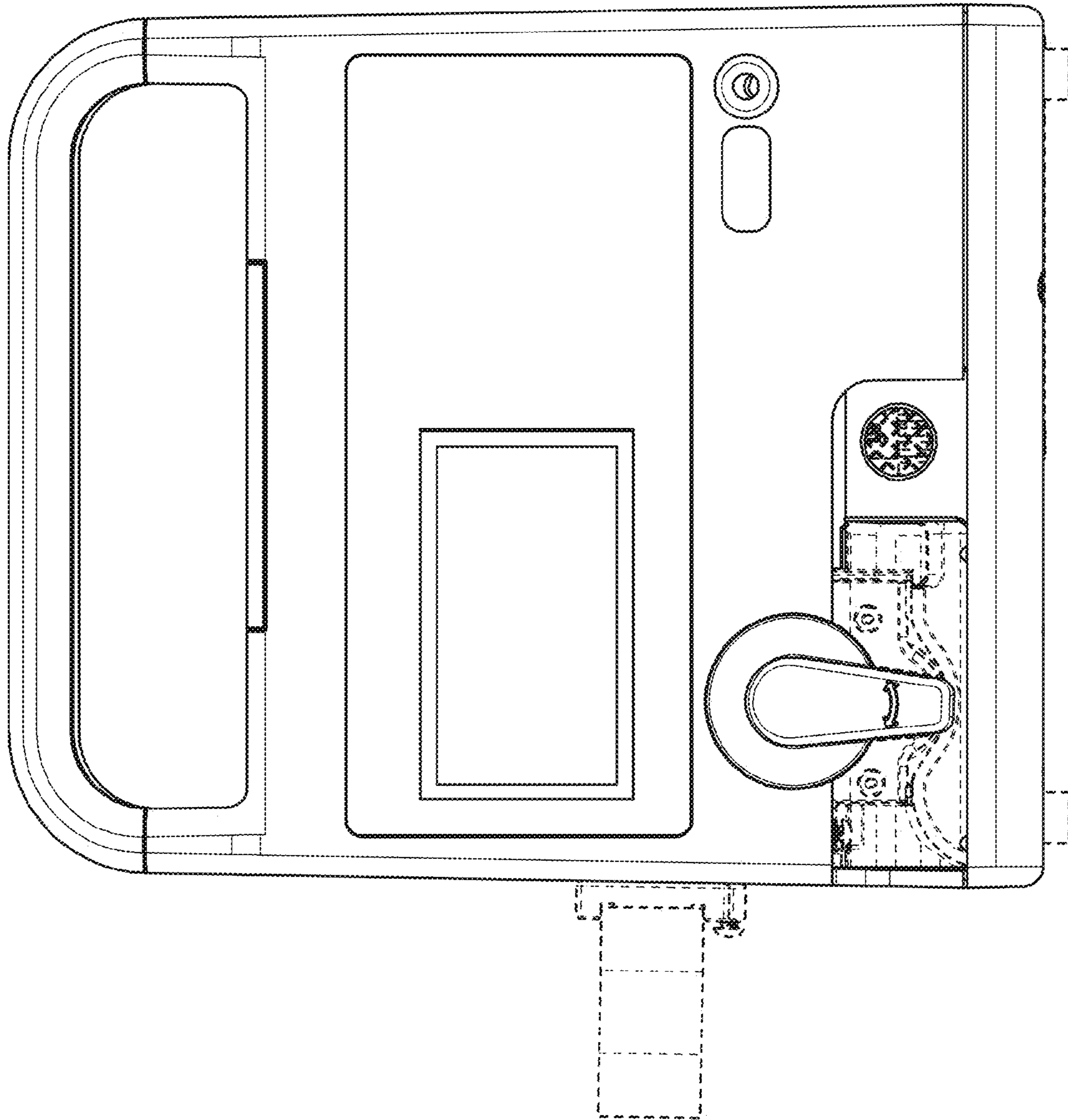


FIG. 4

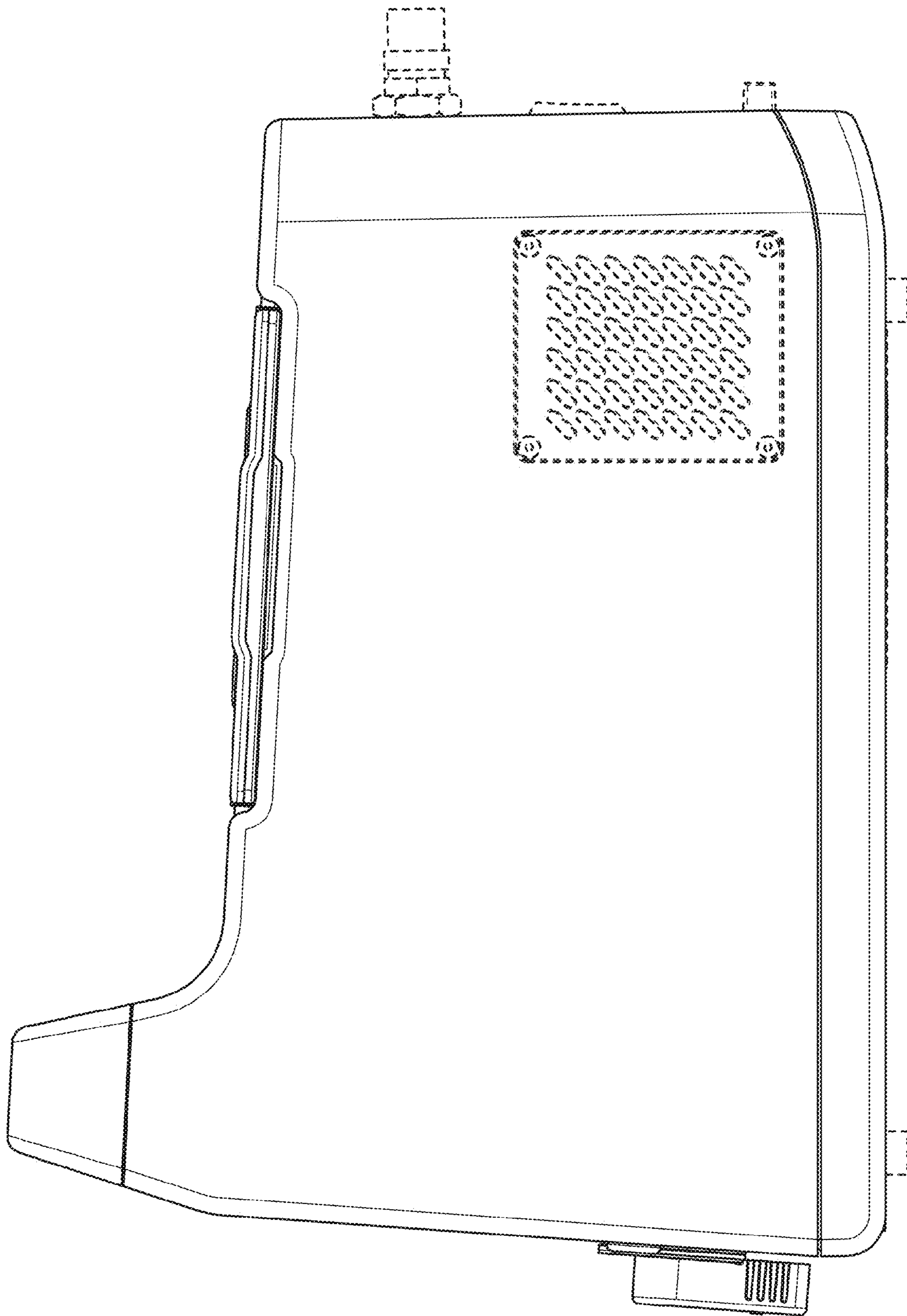


FIG. 5

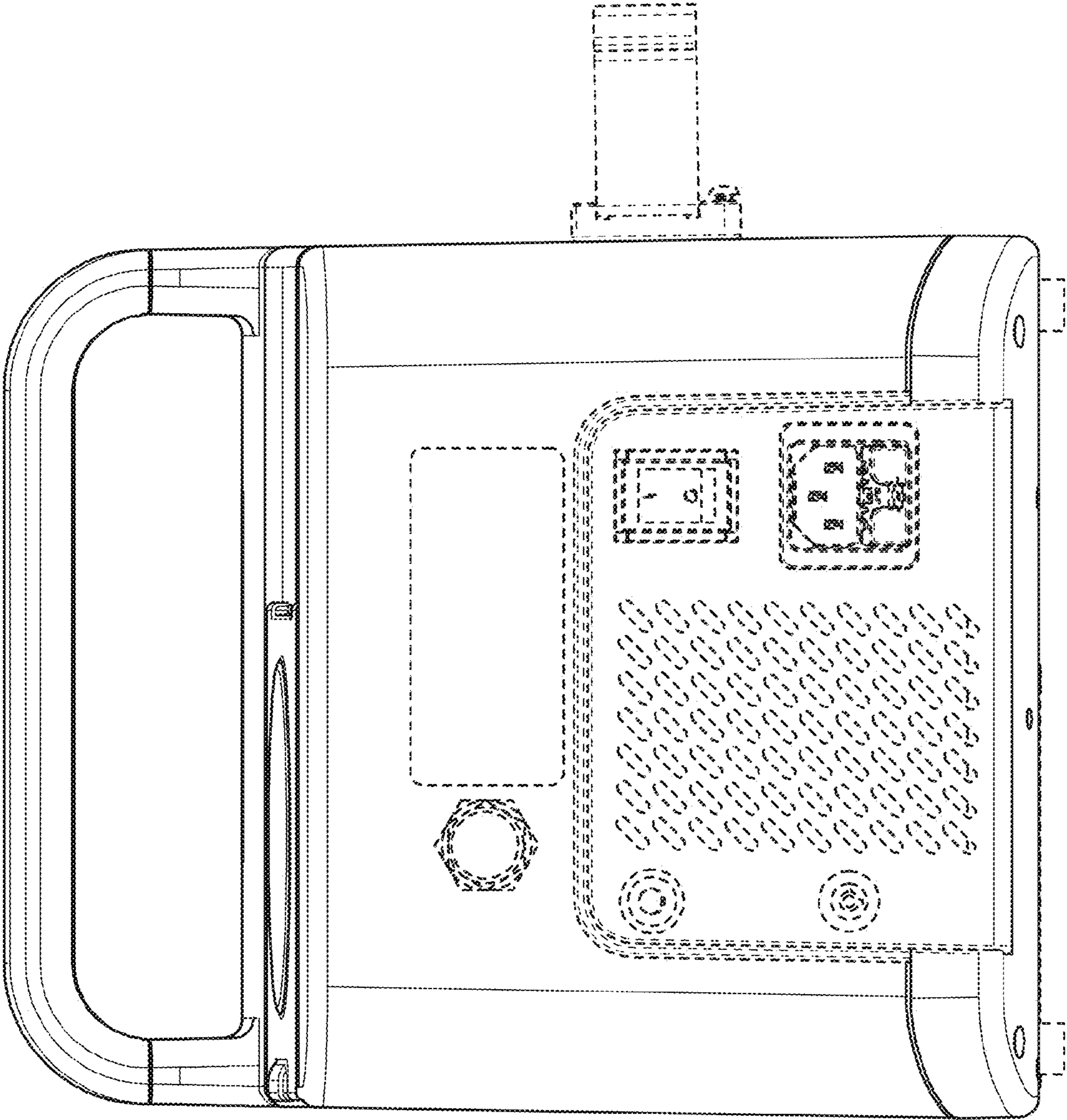


FIG. 6

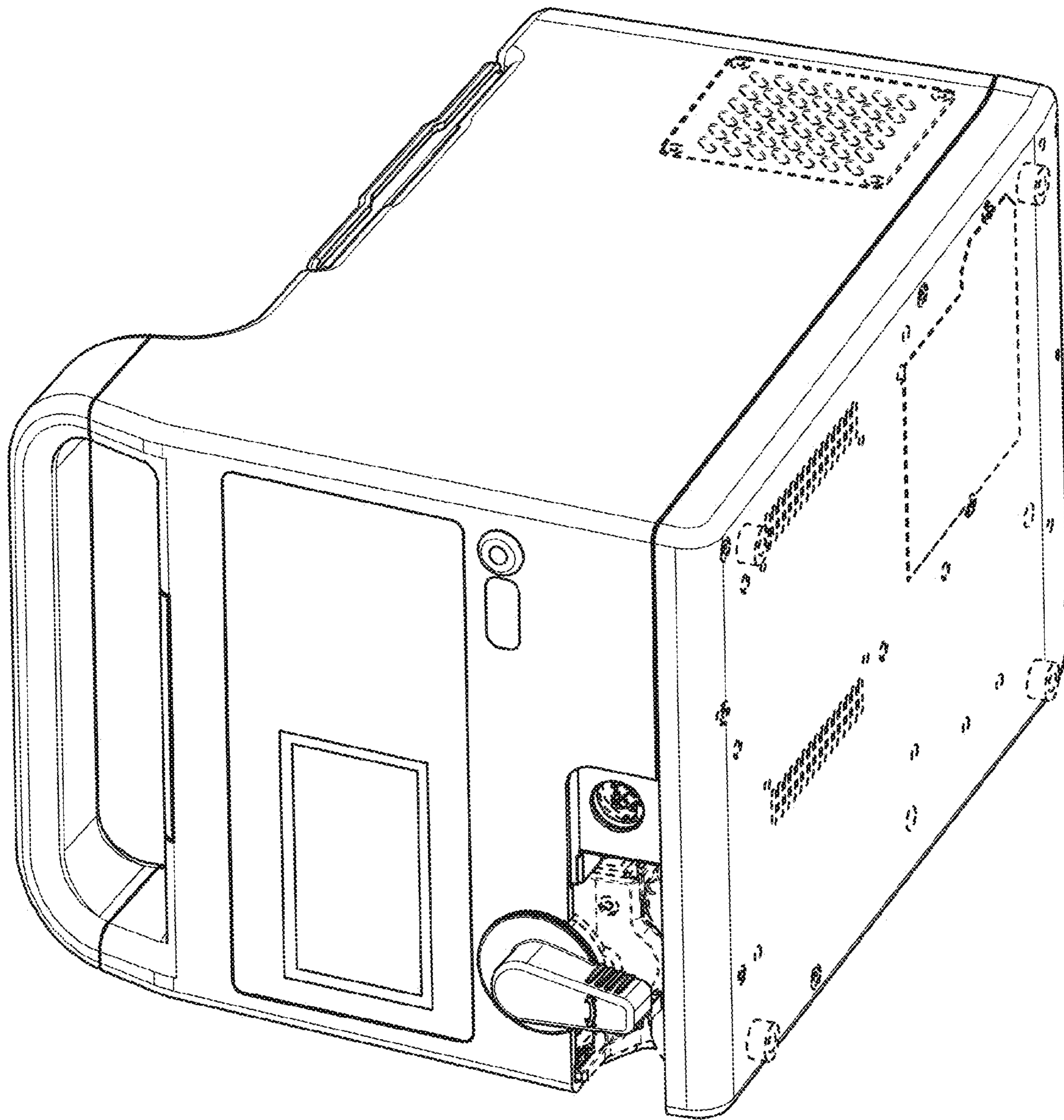


FIG. 7

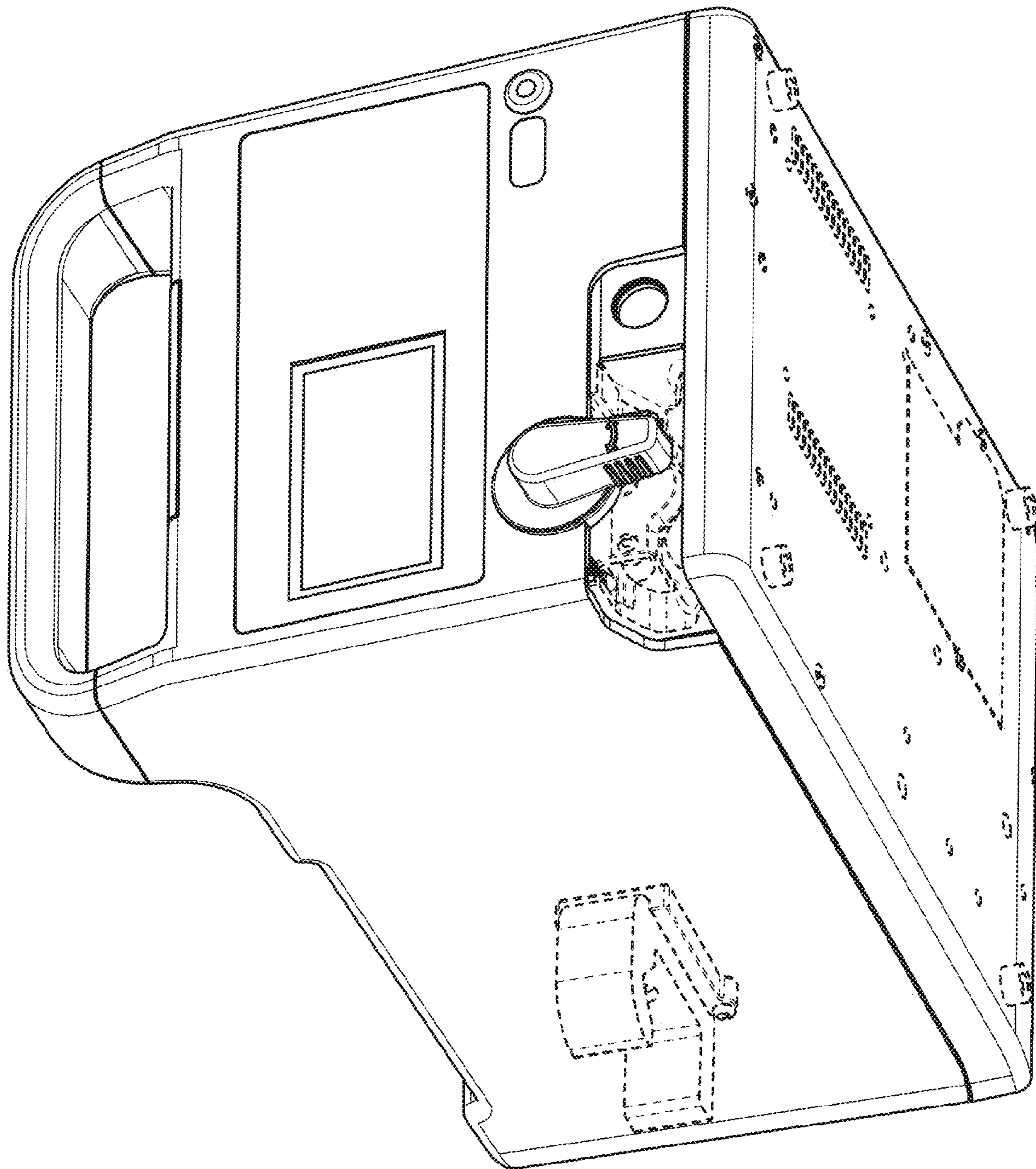


FIG. 8

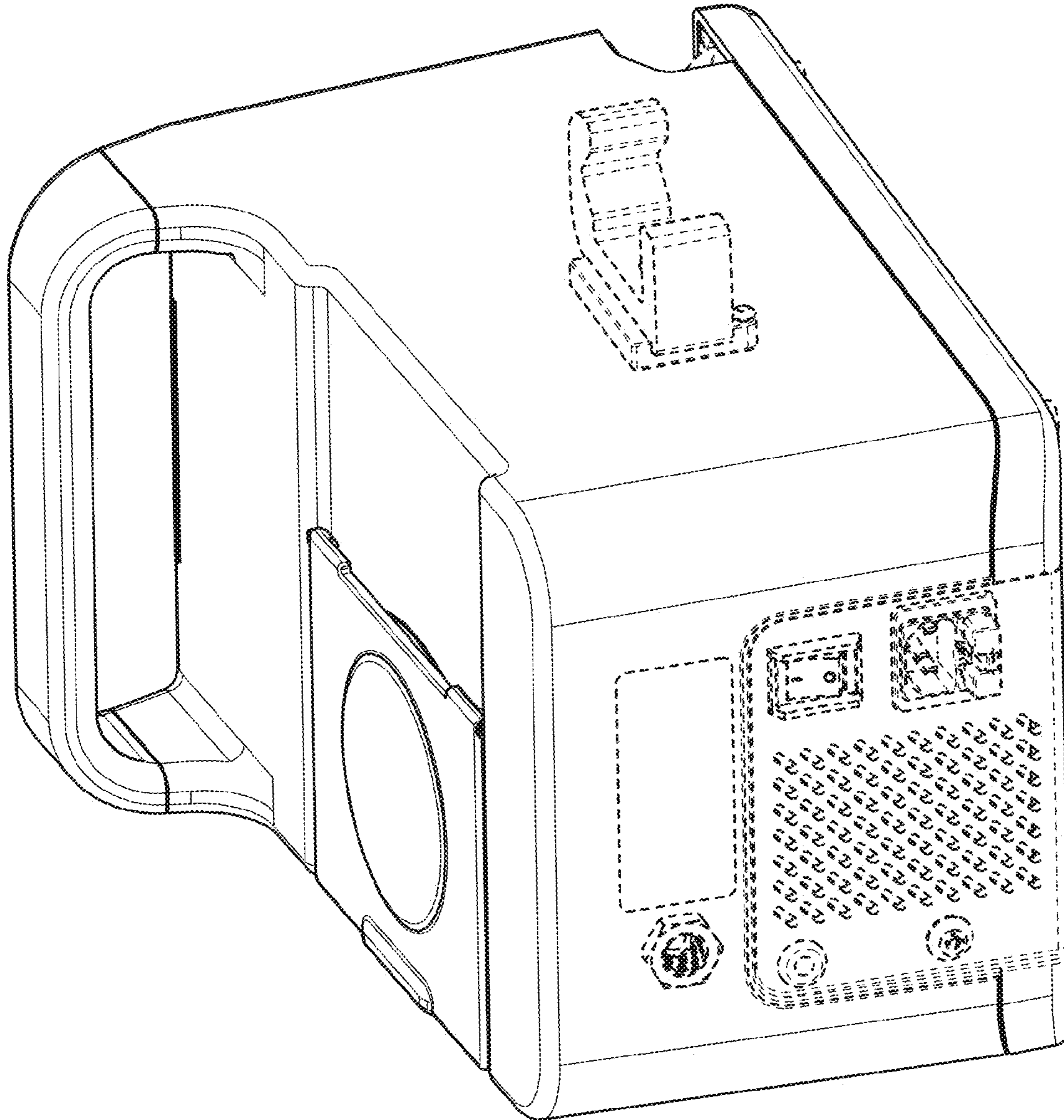


FIG. 9

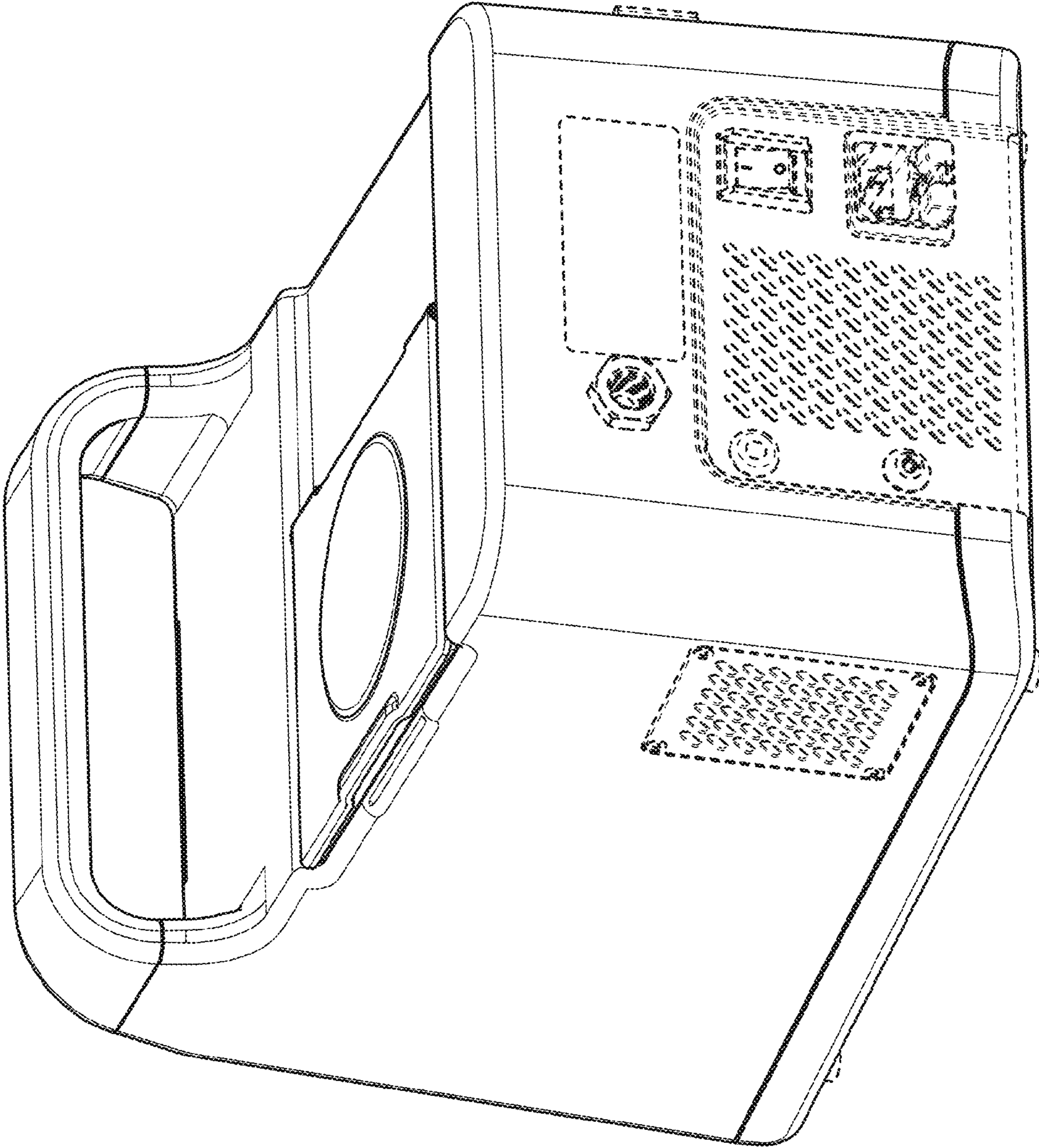


FIG. 10