



US00D935026S

(12) **United States Design Patent** (10) **Patent No.:** **US D935,026 S**
Rizo et al. (45) **Date of Patent:** **** Nov. 2, 2021**

(54) **MEDICAL IMAGING APPARATUS**

D879,290 S * 3/2020 Harman D24/138
2018/0132708 A1* 5/2018 Rizo A61B 1/0669
2018/0234603 A1* 8/2018 Moore H04N 5/23245

(71) Applicant: **FLUOPTICS**, Grenoble (FR)

(72) Inventors: **Philippe Rizo**, La Tronche (FR);
Stephanie Guillermet, Grenoble (FR)

(73) Assignee: **FLUOPTICS**, Grenoble (FR)

(**) Term: **15 Years**

(21) Appl. No.: **29/685,277**

(22) Filed: **Mar. 27, 2019**

(30) **Foreign Application Priority Data**

Sep. 27, 2018 (EM) 005663606-0001

(51) **LOC (13) Cl.** **24-01**

(52) **U.S. Cl.**
USPC **D24/158**

(58) **Field of Classification Search**
USPC D24/107, 158–160, 185–187, 137, 138
CPC A61B 1/00186; A61B 1/042; A61B 1/043;
A61B 1/05; A61B 1/0669; A61B 1/07;
H04N 7/183
See application file for complete search history.

(56) **References Cited**

U.S. PATENT DOCUMENTS

D687,153 S * 7/2013 Torzilli D24/187
D692,564 S * 10/2013 Ninomiya D24/187
D767,770 S * 9/2016 Purfey D24/186
D768,854 S * 10/2016 Halleck D24/138
D774,034 S * 12/2016 Kheradpir D24/186
D851,248 S * 6/2019 Winkler D24/138
D861,178 S * 9/2019 Emery D24/187
D870,294 S * 12/2019 Bechtel D24/186

OTHER PUBLICATIONS

New Imaging Device Identifies Parathyroid Glands During Surgery—
Surgical Techniques—Hospimedica.com. Posted on Nov. 27, 2019.*
FDA Market Authorizations: VISUMAX Laser, Biomimics 3D
Stent, Personal Genome Service Pharmacogenetic Reports,
FLUOBEAM 800 Clinic Imaging Device, Biosimilars: UDENCYA,
Published by Drug & Device Advisory Group on Nov. 6, 2018.*

* cited by examiner

Primary Examiner — Anhdao Doan

(74) *Attorney, Agent, or Firm* — Oblon, McClelland,
Maier & Neustadt, L.L.P.

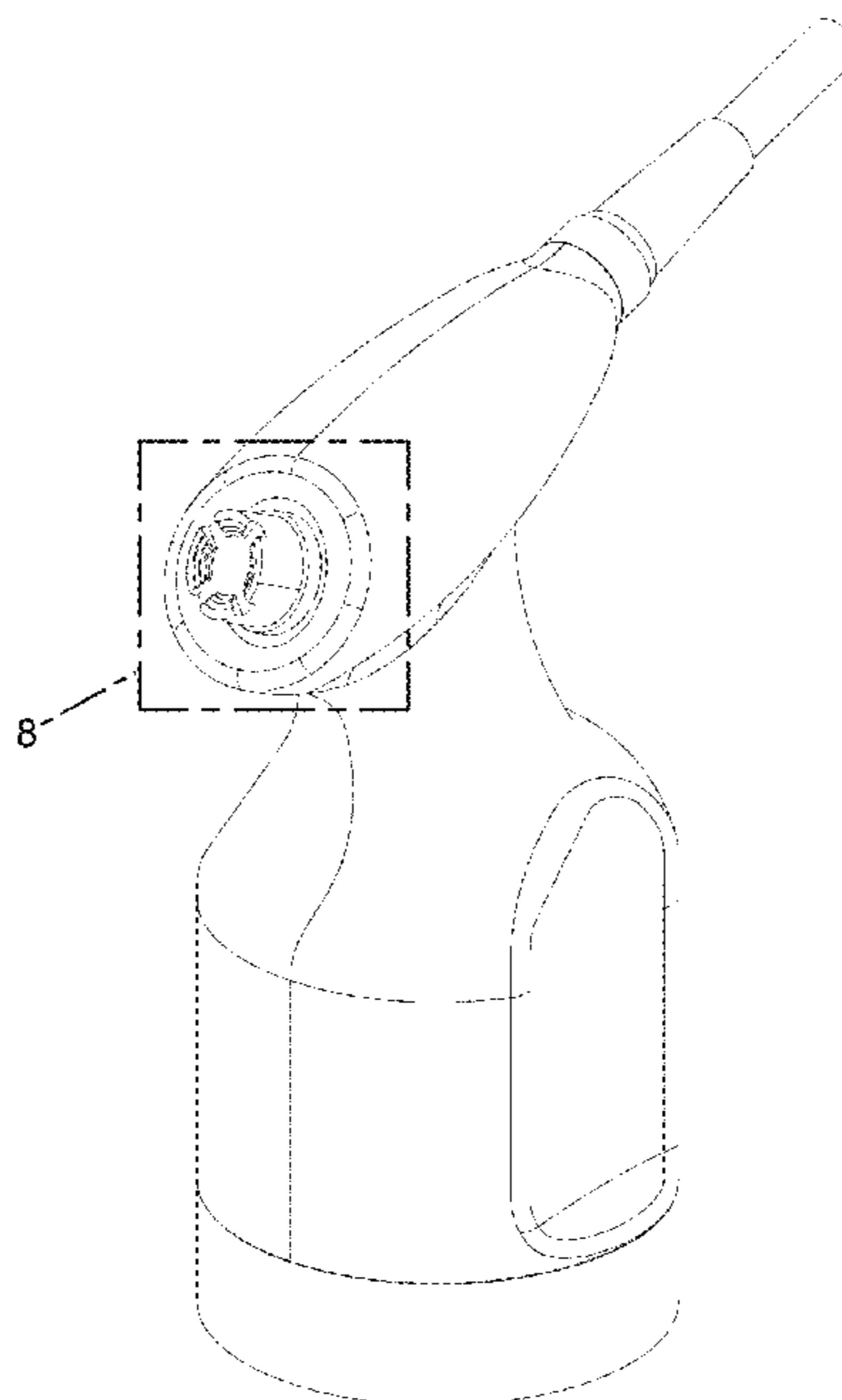
(57) **CLAIM**

The ornamental design for a medical imaging apparatus, as
shown and described.

DESCRIPTION

FIG. 1 is a rear, top, and left side perspective view of a
medical imaging apparatus;
FIG. 2 is a left side elevational view thereof;
FIG. 3 is a right side elevational view thereof;
FIG. 4 is a rear elevational view thereof;
FIG. 5 is a front elevational view thereof;
FIG. 6 is a top plan view thereof;
FIG. 7 is a bottom plan view thereof;
FIG. 8 is an enlarged view of callout box 8 in FIG. 1;
FIG. 9 is an enlarged view of callout box 9 in FIG. 4; and,
FIG. 10 is an enlarged view of callout box 10 in FIG. 6.
The evenly spaced broken lines depict portions of the
medical imaging apparatus that form no part of the claimed
design.

1 Claim, 10 Drawing Sheets



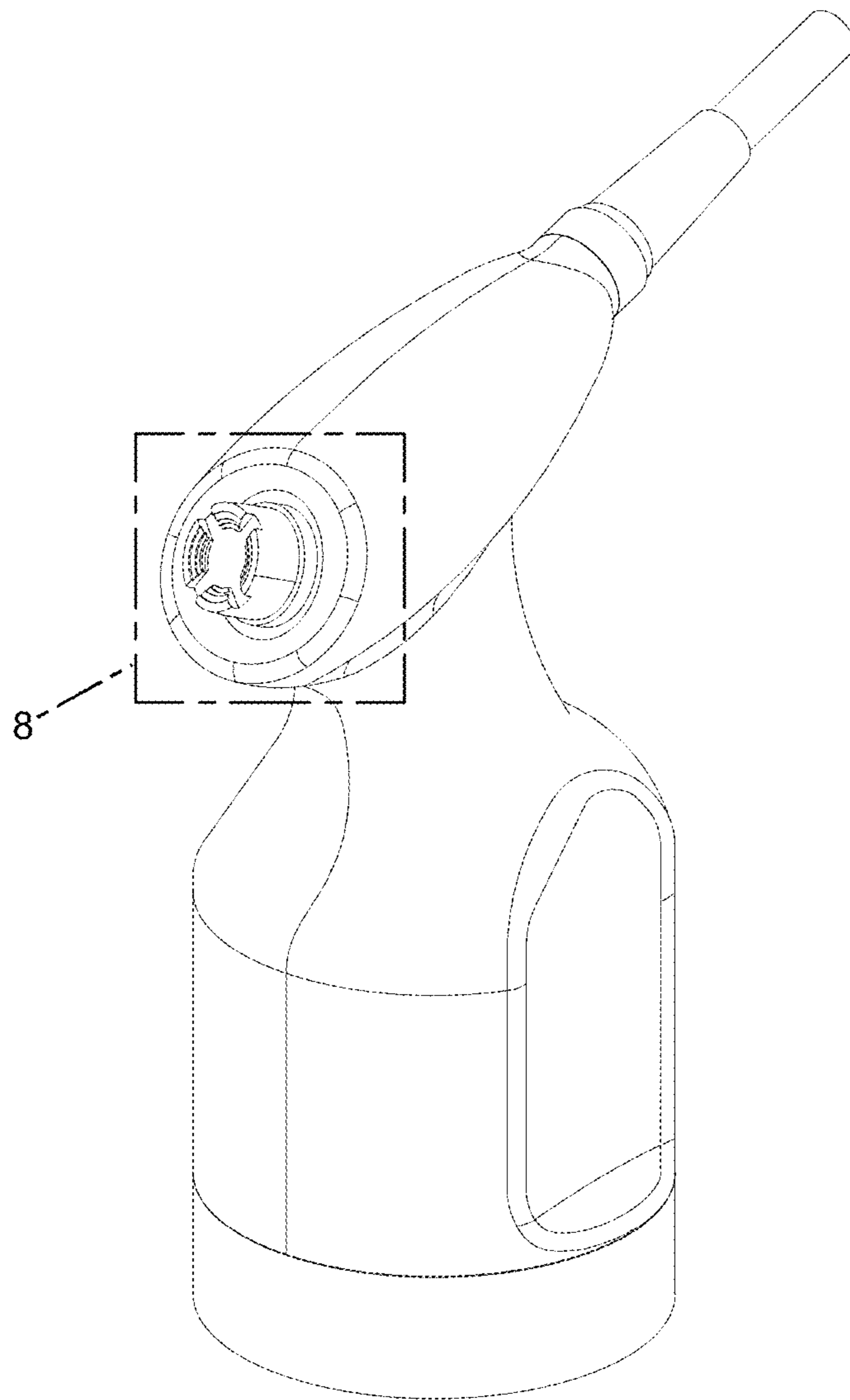


FIG. 1

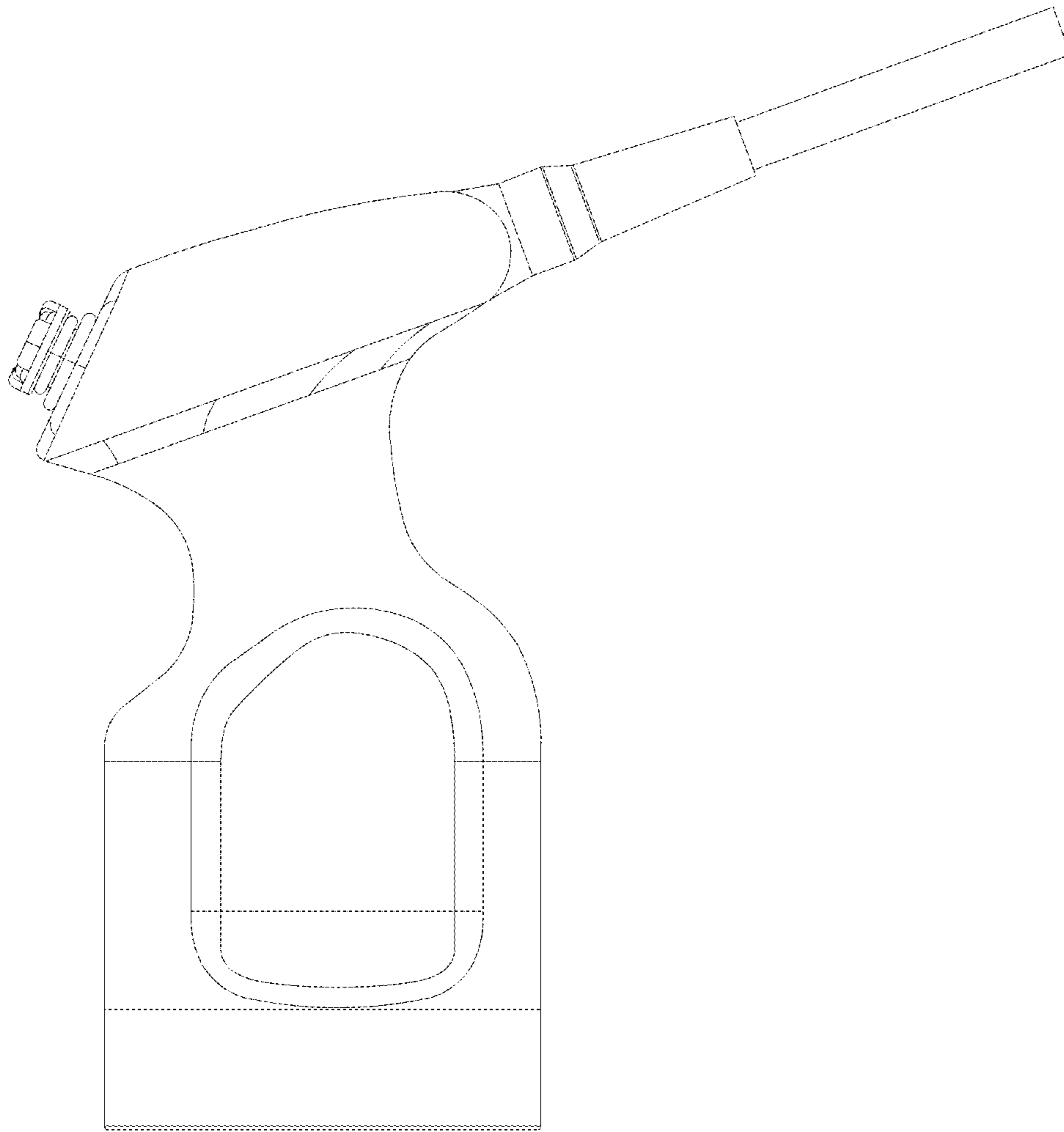


FIG. 2

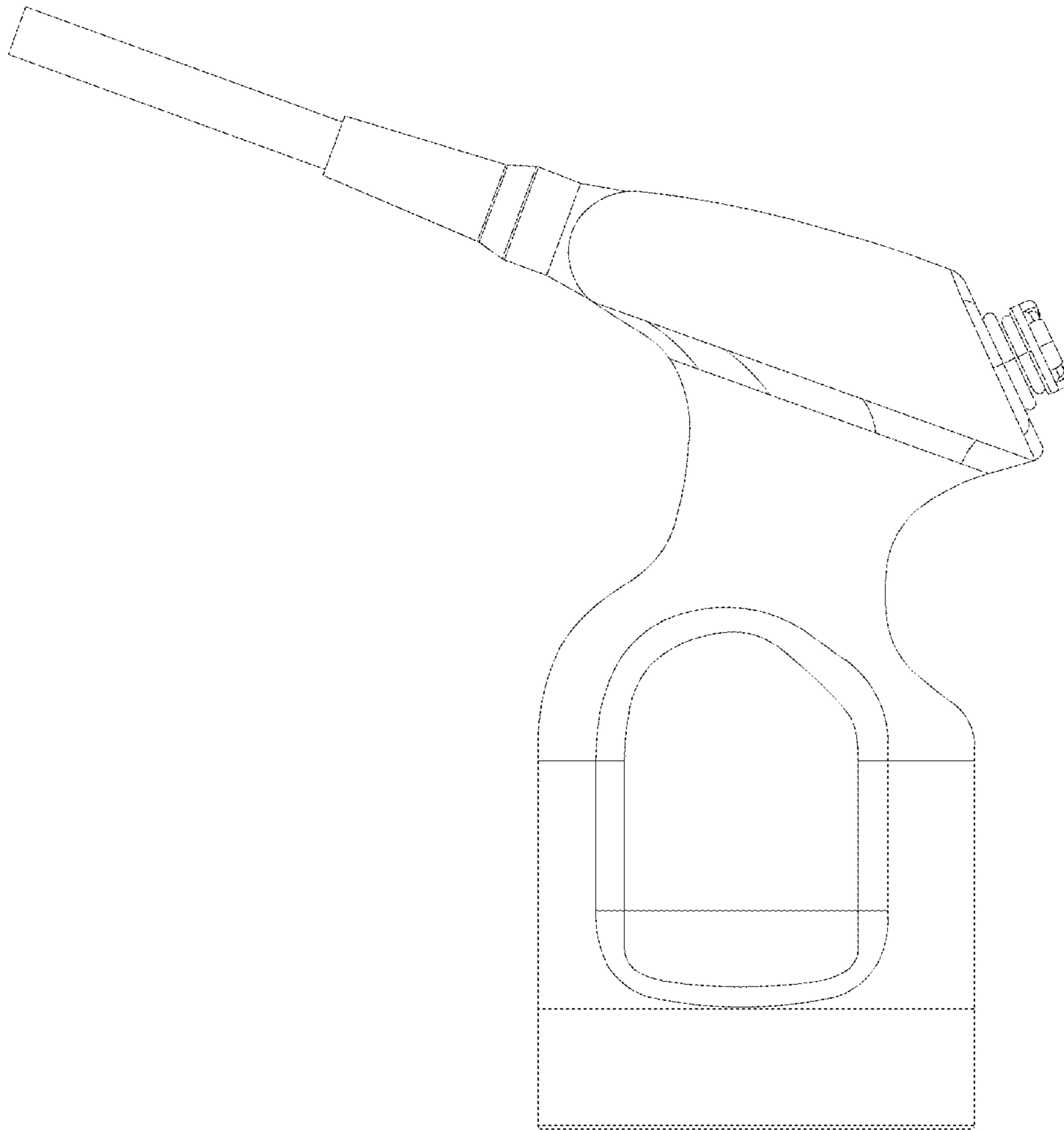


FIG. 3

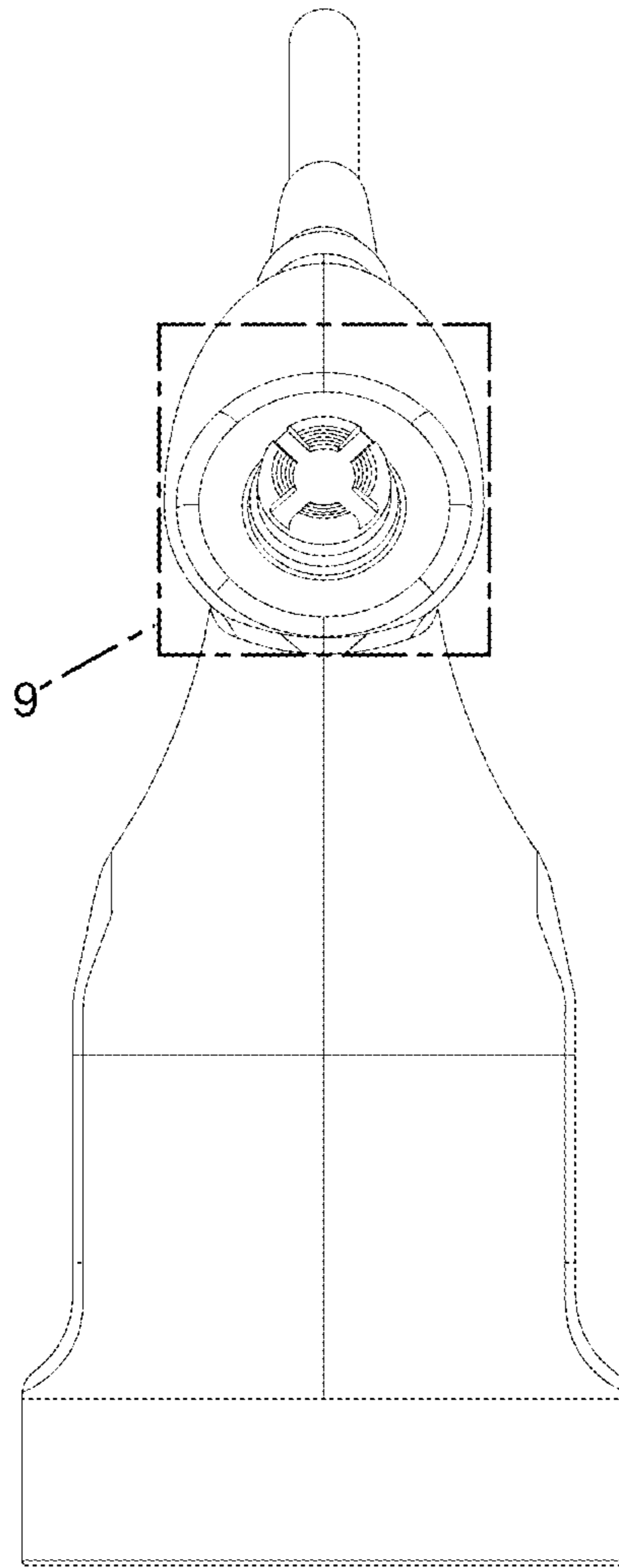


FIG. 4

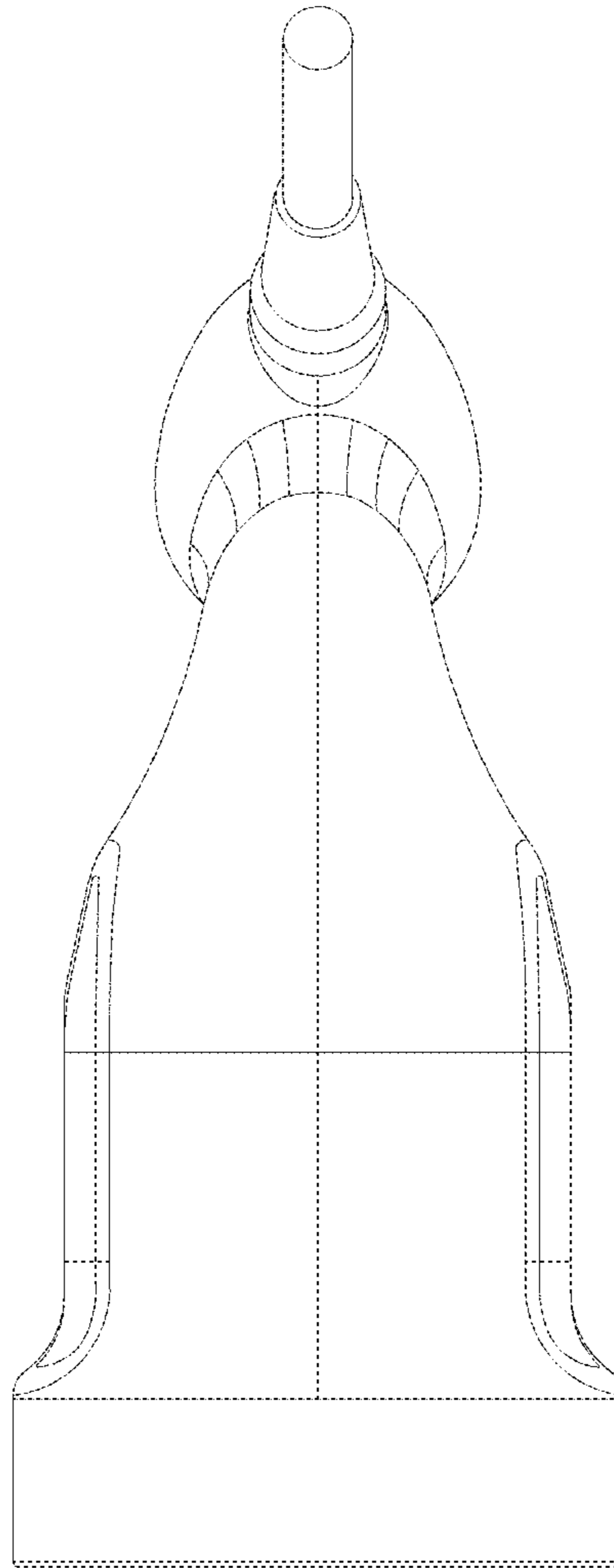


FIG. 5

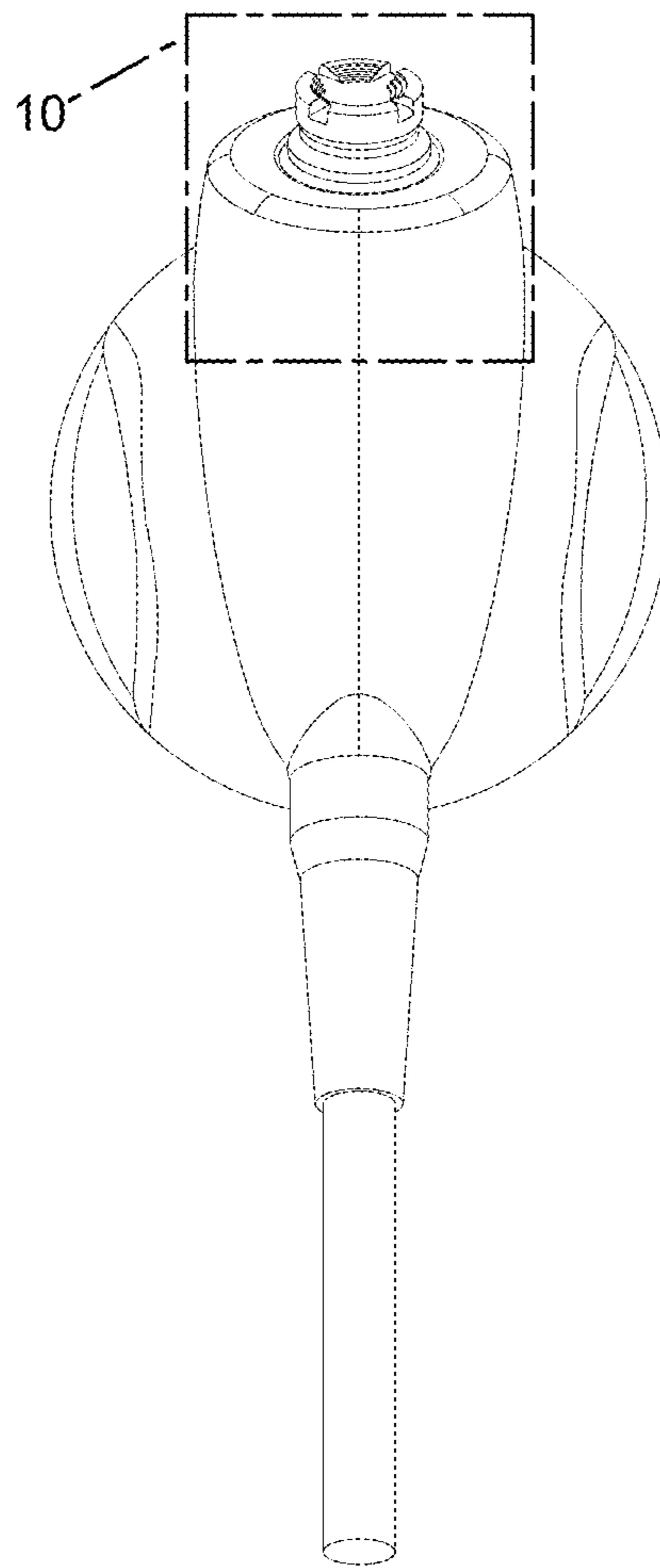


FIG. 6

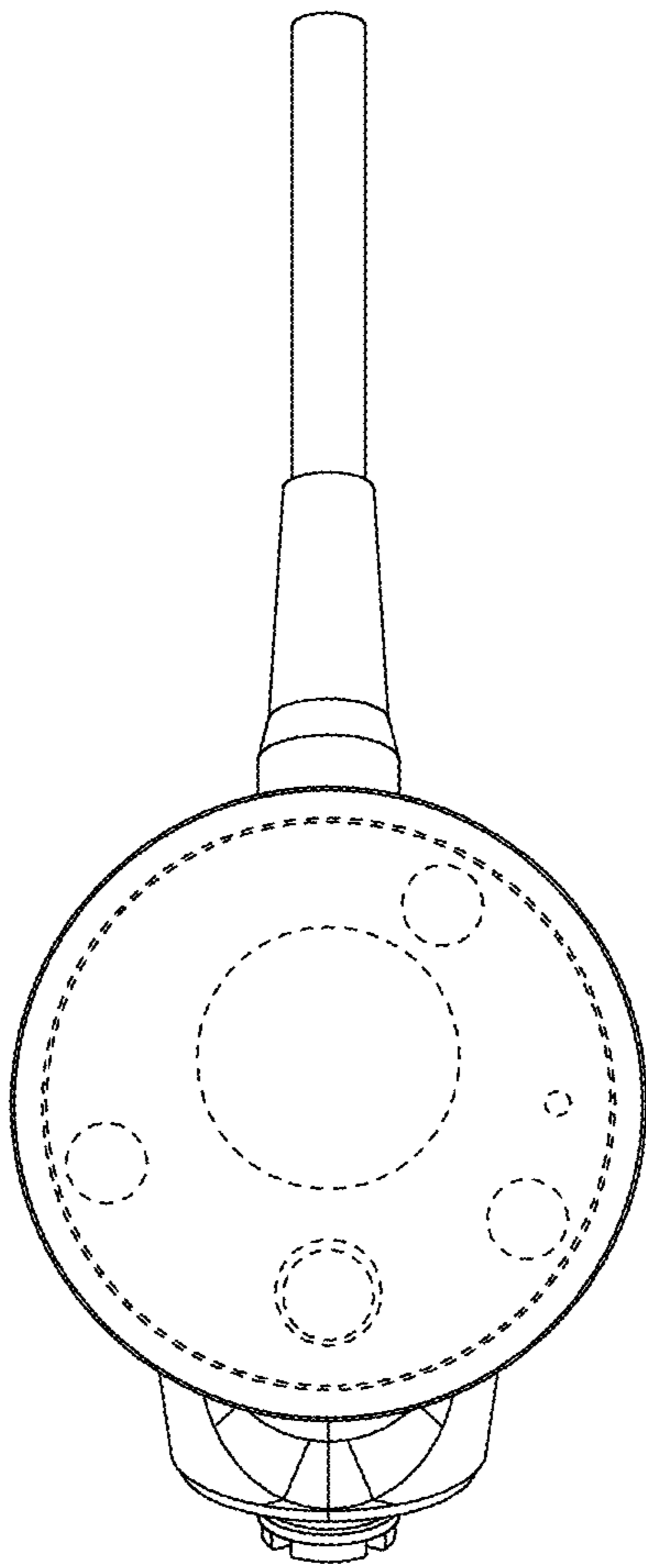


FIG. 7

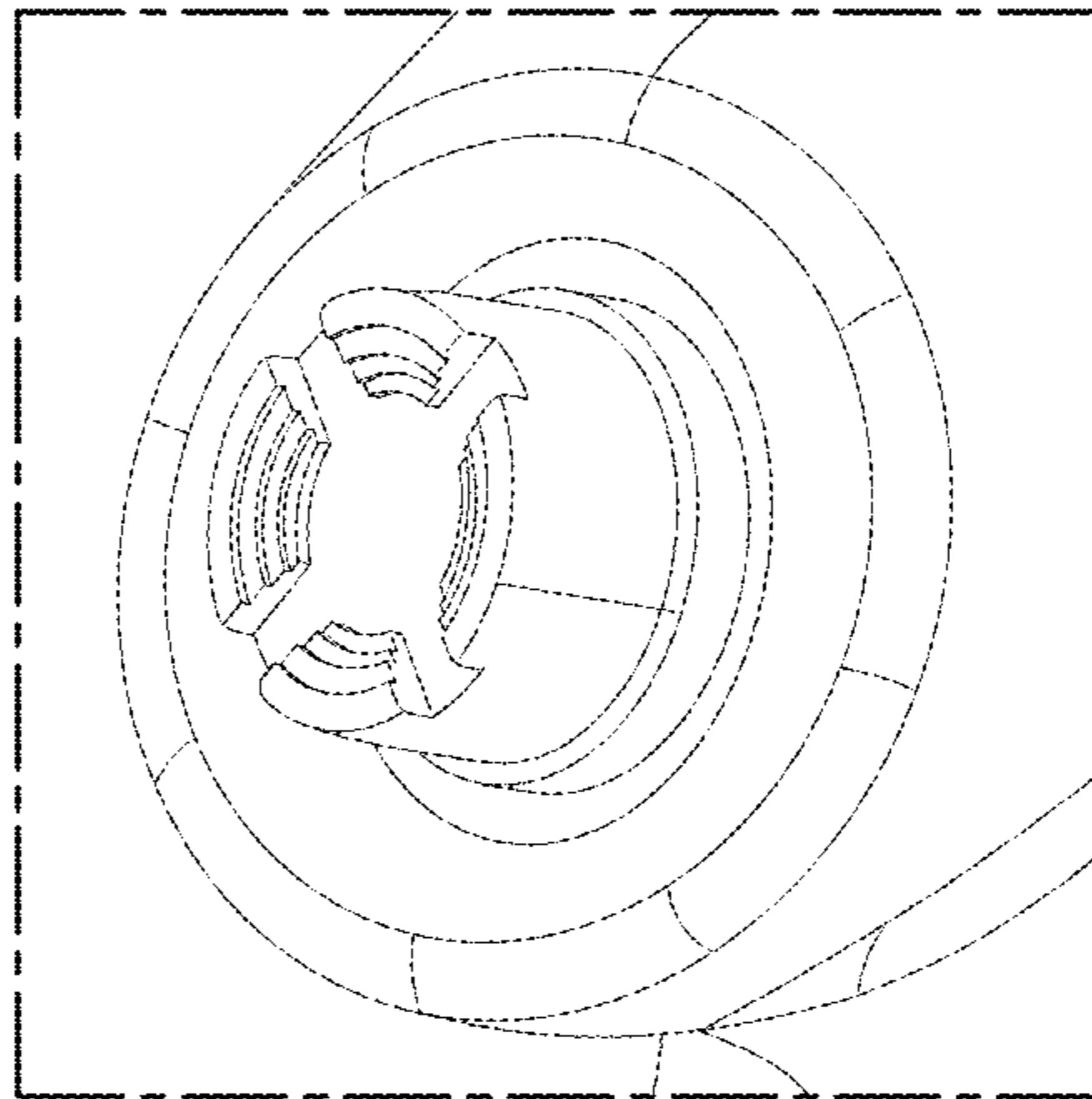


FIG. 8

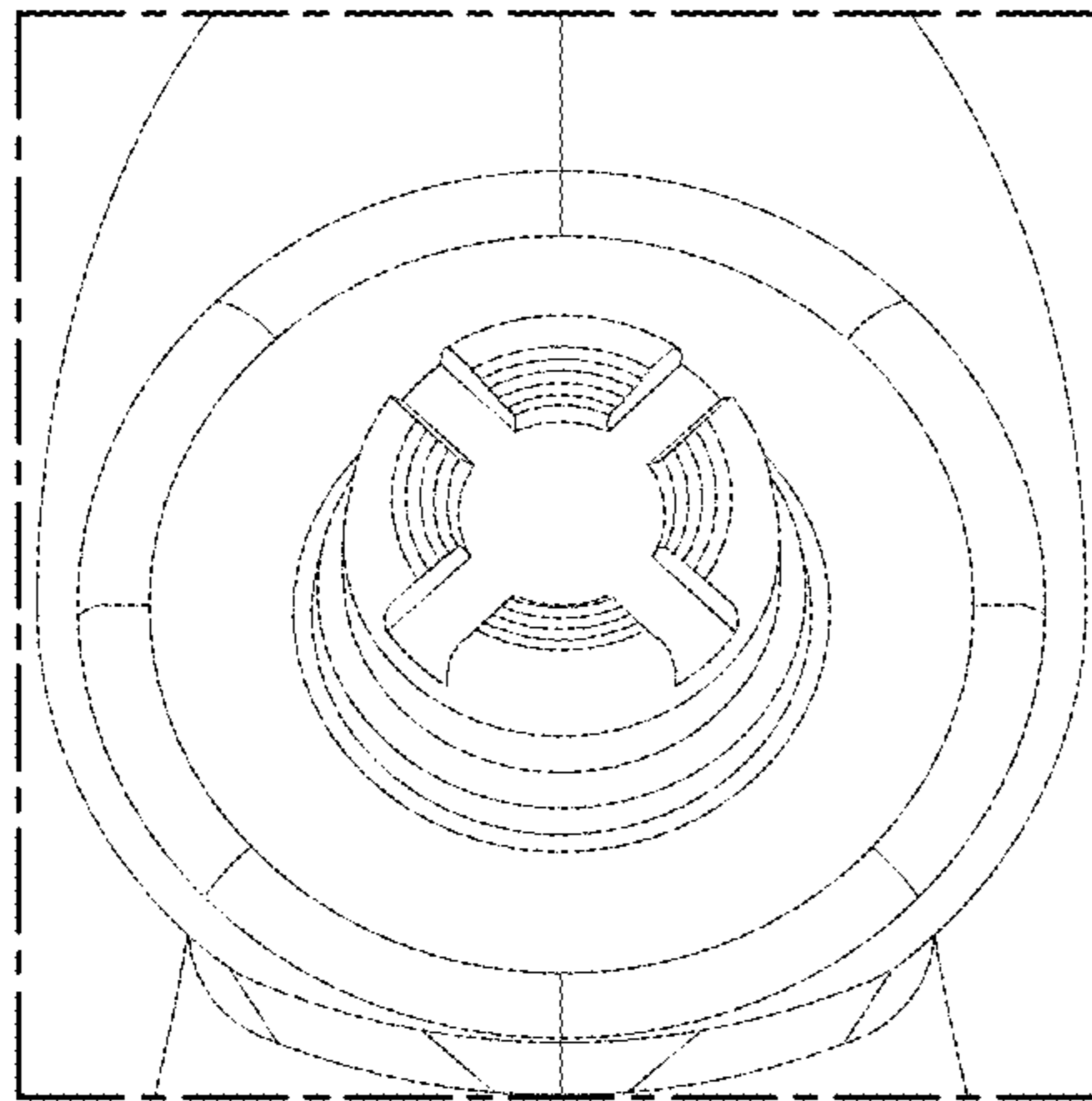


FIG. 9

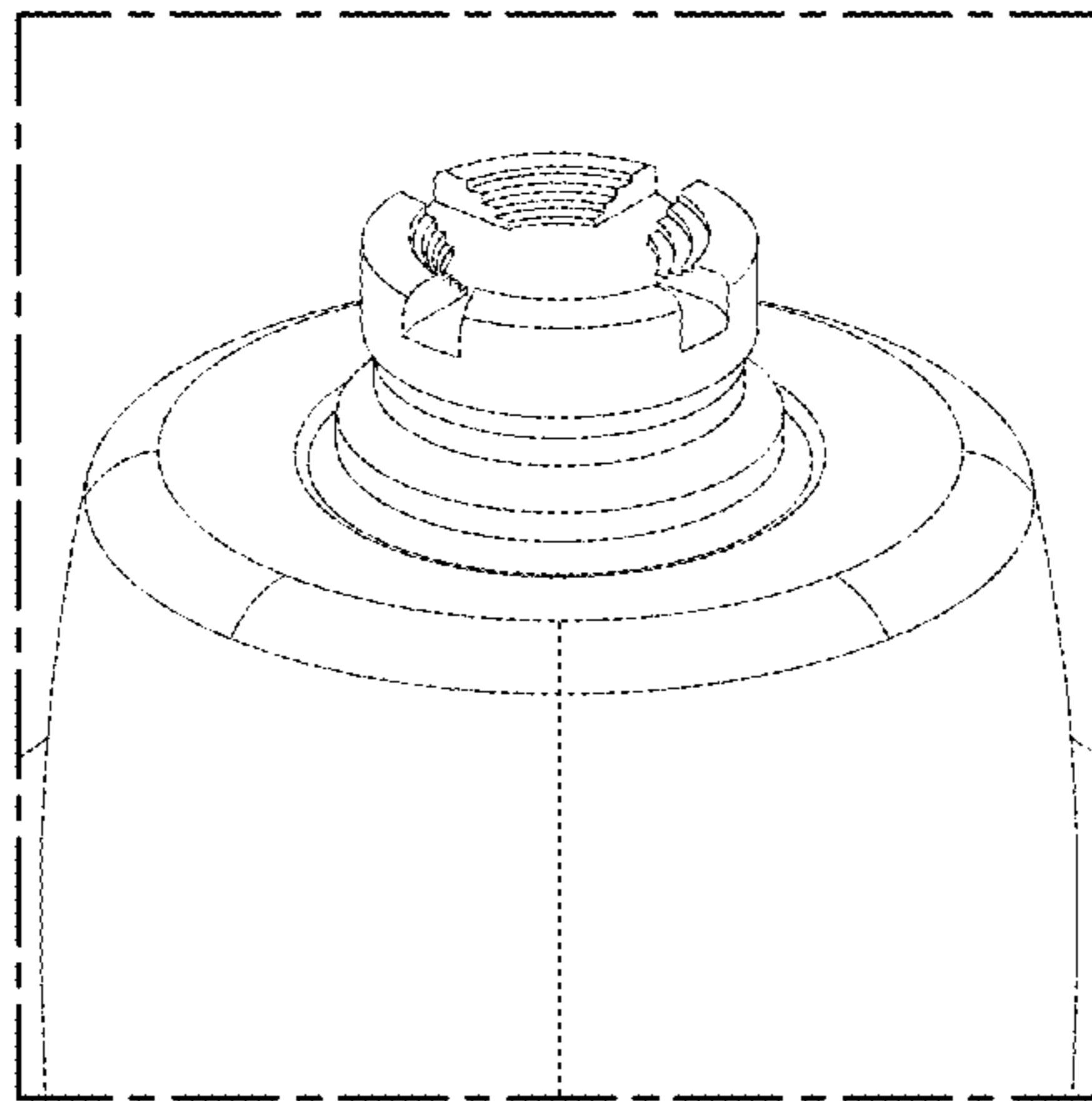


FIG. 10