



US00D935025S

(12) **United States Design Patent** (10) **Patent No.:** **US D935,025 S**
Schifano et al. (45) **Date of Patent:** **** Nov. 2, 2021**

(54) **HELICAL IMPLANT**

(74) *Attorney, Agent, or Firm* — Sierra IP Law, PC;
William K. Nelson

(71) Applicant: **Orthocision Inc.**, Folsom, CA (US)

(57) **CLAIM**

(72) Inventors: **Troy Schifano**, Morgantown, WV (US);
Steve Anderson, Folsom, CA (US)

We claim the ornamental designs for a helical implant, as shown and described.

(**) Term: **15 Years**

DESCRIPTION

(21) Appl. No.: **29/777,534**

(22) Filed: **Apr. 7, 2021**

Related U.S. Application Data

(62) Division of application No. 29/630,686, filed on Dec. 22, 2017, now Pat. No. Des. 921,898.

(51) **LOC (13) Cl.** **24-02**

(52) **U.S. Cl.**
USPC **D24/156**

(58) **Field of Classification Search**
USPC D24/156

(Continued)

(56) **References Cited**

U.S. PATENT DOCUMENTS

3,579,830 A 5/1971 Morel
4,481,020 A 11/1984 Lee et al.

(Continued)

FOREIGN PATENT DOCUMENTS

EP 0374088 A1 4/1989
EP 0663184 A1 7/1995

(Continued)

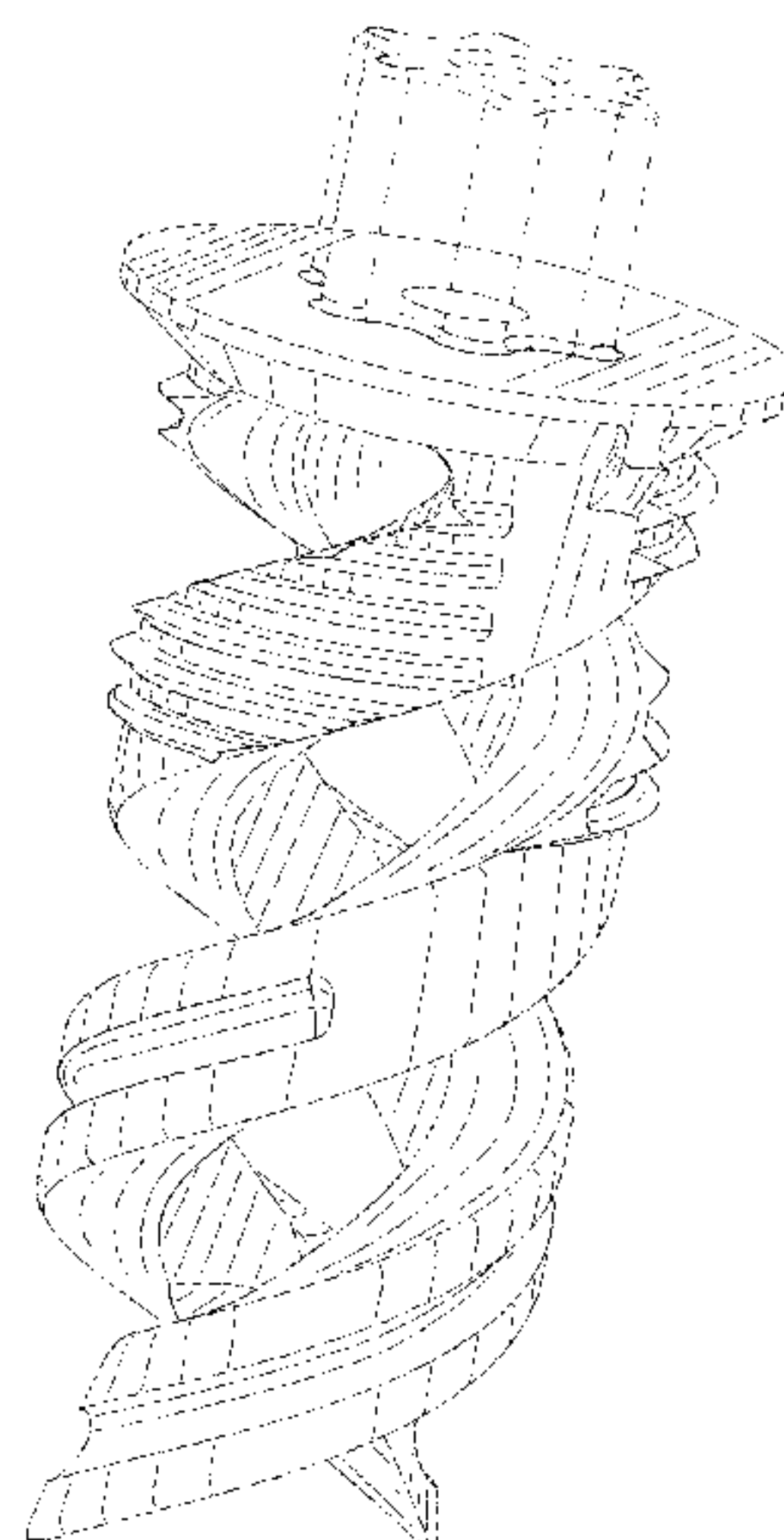
OTHER PUBLICATIONS

Globus Medical Inc., Description of SI-LOK ® Sacroiliac Fixation System, available online at www.globusmedical.com.

(Continued)

Primary Examiner — Charles D Hanson

1 Claim, 8 Drawing Sheets



(58) **Field of Classification Search**

CPC A61C 13/225; A61C 8/00; A61C 8/0089;
A61C 8/0069; A61C 8/0054; A61C
8/0096; A61C 8/0039; A61C 8/0063;
A61C 8/006; A61C 8/0001; A61C
8/0012; A61C 8/0075; A61C 8/0083

See application file for complete search history.

(56) **References Cited**

U.S. PATENT DOCUMENTS

4,759,769 A 7/1988 Hedman
4,927,421 A * 5/1990 Goble A61F 2/0811
606/232
5,443,509 A * 8/1995 Boucher A61B 17/8625
606/60
5,582,616 A 12/1996 Bolduc et al.
5,662,683 A 9/1997 Kay
5,728,116 A 3/1998 Rosenman
5,741,256 A 4/1998 Bresina
5,810,882 A 9/1998 Bolduc et al.
5,888,228 A 3/1999 Knothe et al.
5,891,146 A * 4/1999 Simon A61B 17/863
606/71
5,897,319 A 4/1999 Wagner et al.
5,904,696 A 5/1999 Rosenman
6,053,916 A 4/2000 Moore
6,193,721 B1 2/2001 Michelson
6,296,656 B1 10/2001 Bolduc et al.
6,468,309 B1 10/2002 Lieberman
6,488,683 B2 12/2002 Lieberman
6,527,774 B2 3/2003 Lieberman
6,544,265 B2 4/2003 Lieberman
6,551,319 B2 4/2003 Lieberman
6,551,320 B2 4/2003 Lieberman
6,551,322 B1 4/2003 Lieberman
6,635,059 B2 10/2003 Randall et al.
6,689,153 B1 * 2/2004 Skiba A61B 17/0401
606/230
6,689,168 B2 2/2004 Lieberman
6,695,844 B2 2/2004 Bramlet
6,953,462 B2 10/2005 Lieberman
7,189,251 B2 3/2007 Kay
D588,700 S * 3/2009 Anitua Aldecoa D24/156
7,601,167 B2 10/2009 Lieberman
7,648,509 B2 1/2010 Stark
D620,111 S 7/2010 Coutney et al.
D627,466 S 11/2010 Coutney et al.
D628,292 S * 11/2010 Berberich D24/145
7,955,362 B2 6/2011 Erickson et al.
D653,344 S * 1/2012 Bar-Shalom D24/156
8,092,528 B2 1/2012 Pellegrino et al.
D653,756 S 2/2012 Courtney et al.
8,202,305 B2 6/2012 Reiley
8,221,428 B2 7/2012 Trieu
8,343,189 B2 1/2013 Assell et al.
8,579,919 B2 11/2013 Bolduc et al.
8,591,579 B2 11/2013 Pellegrino et al.
8,740,912 B2 6/2014 Stark
D708,747 S 7/2014 Curran et al.
8,808,305 B2 8/2014 Kleiner
8,808,377 B2 8/2014 Donner
8,979,928 B2 3/2015 Donner
9,017,407 B2 4/2015 Donner
D728,892 S * 5/2015 Rogers D1/125
9,113,972 B2 8/2015 Trudeau
9,119,732 B2 9/2015 Schifano et al.
D765,855 S * 9/2016 Ben-Yehuda D24/156
9,451,986 B2 9/2016 Stoffman et al.
9,498,263 B2 11/2016 Pellegrino et al.

9,757,119 B2 * 9/2017 Norton A61B 17/0401
D816,469 S * 5/2018 Toomey D8/387
D835,787 S * 12/2018 Radocy D24/155
D847,994 S 5/2019 Asfora et al.
D857,897 S 8/2019 Loftus
2003/0229350 A1 12/2003 Kay
2004/0073216 A1 4/2004 Lieberman
2004/0243129 A1 12/2004 Monumene et al.
2005/0011975 A1 1/2005 Baltz
2005/0015092 A1 1/2005 Rathbum
2006/0054171 A1 3/2006 Dall
2006/0089646 A1 4/2006 Bonutti
2006/0189997 A1 8/2006 Guenther
2008/0009861 A1 1/2008 Stark
2008/0058938 A1 3/2008 Mujwid
2008/0097523 A1 4/2008 Bolduc et al.
2008/0195096 A1 8/2008 Frei
2009/0076551 A1 3/2009 Peterson
2009/0088604 A1 4/2009 Lowry et al.
2009/0099610 A1 4/2009 Johnson
2010/0106200 A1 4/2010 Stark
2010/0268228 A1 10/2010 Petersen
2011/0060375 A1 3/2011 Bonutti
2011/0184519 A1 7/2011 Trieu
2011/0238181 A1 9/2011 Trieu
2012/0071978 A1 3/2012 Suedkamp et al.
2012/0095560 A1 4/2012 Donner
2012/0158137 A1 * 6/2012 Pinczewski A61F 2/0811
623/13.14
2012/0191191 A1 7/2012 Trieu
2012/0253398 A1 10/2012 Metcalf et al.
2012/0296428 A1 11/2012 Donner
2013/0018427 A1 1/2013 Pham et al.
2013/0211453 A1 8/2013 Lenke et al.
2014/0031935 A1 1/2014 Donner et al.
2014/0088707 A1 3/2014 Donner et al.
2014/0114423 A1 4/2014 Suedkamp et al.
2014/0142700 A1 5/2014 Donner et al.
2014/0200618 A1 7/2014 Donner
2014/0336763 A1 11/2014 Donner
2015/0150683 A1 6/2015 Donner et al.
2015/0173805 A1 6/2015 Donner et al.
2015/0209087 A1 7/2015 Donner

FOREIGN PATENT DOCUMENTS

WO 2011087912 A1 7/2011
WO 2013043584 A2 3/2013
WO 2014146018 A1 9/2014

OTHER PUBLICATIONS

Medtronic Inc., Description of Infuse Bone Graft/LT-Cage Lumbar Tapered Fusion Device, available online at www.medtronic.com.
Orthopedic Designs North America, Inc., Description of Talon® DistalFix® Femoral Nail System, available online at www.odi-na.com.
Zyga Technology, Inc., Description of the SImmetry@ sacroiliac joint fusion system, available online at www.zygatech.com.
Donner, E.J., Sacroiliac joint fusion system, U.S. Appl. No. 61/335,947, filed Jan. 13, 2010.
Muller et al., Bone screw, English Abstract of European Patent Publication EP0374088, Jun. 20, 1990, European Patent Organization, <http://www.epo.org/searching/free/espacenet.html>.
Rosenman, D., Spiral Surgical tack, English Abstract of European Patent Publication EP0663184, Jul. 19, 1995, European Patent Organization, <http://www.epo.org/searching/free/espacenet.html>.
Signus Medizintechnik GmbH, Description of the DIANA system, available online at www.si-joint.net.

* cited by examiner

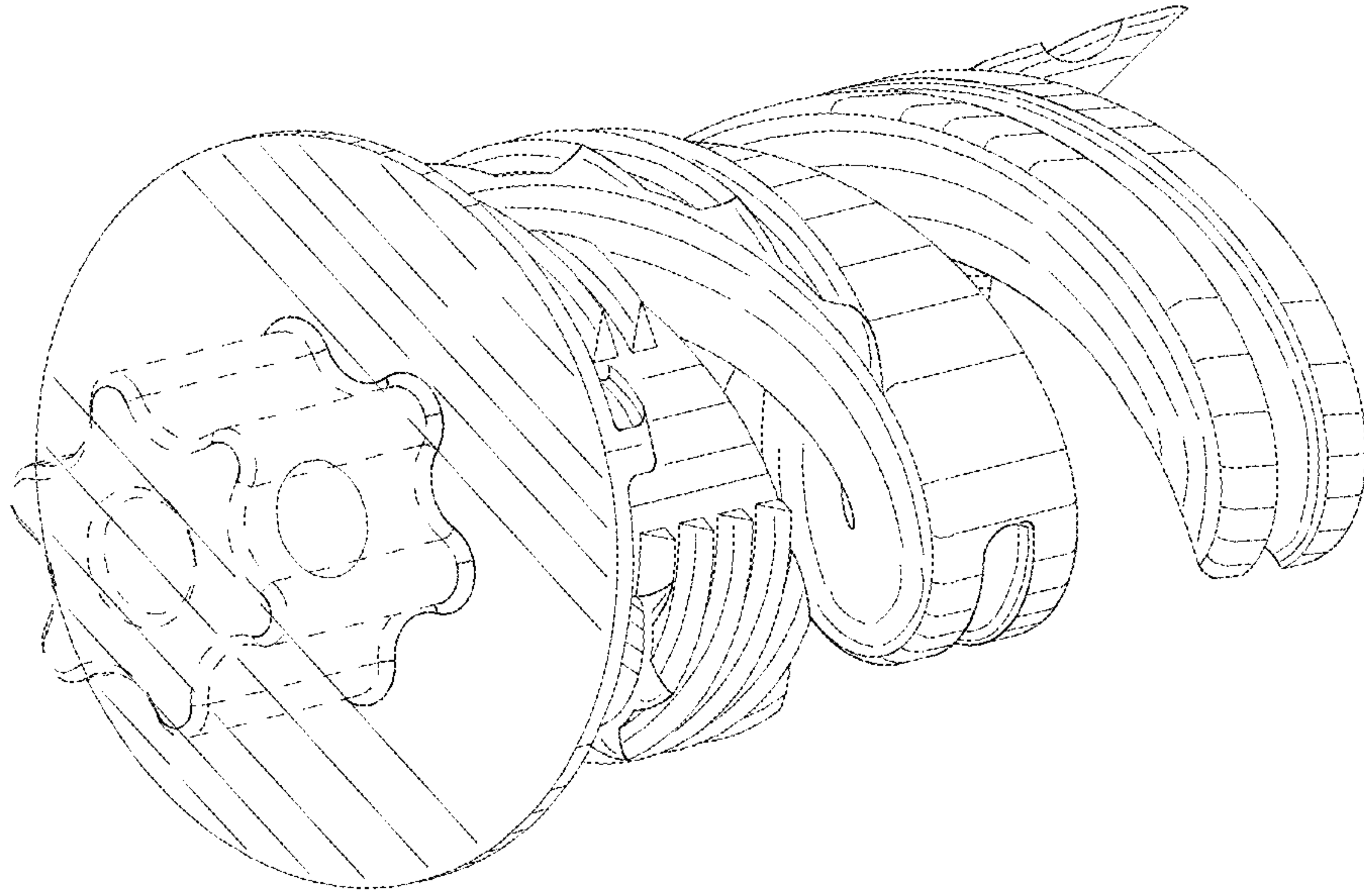


FIG. 2

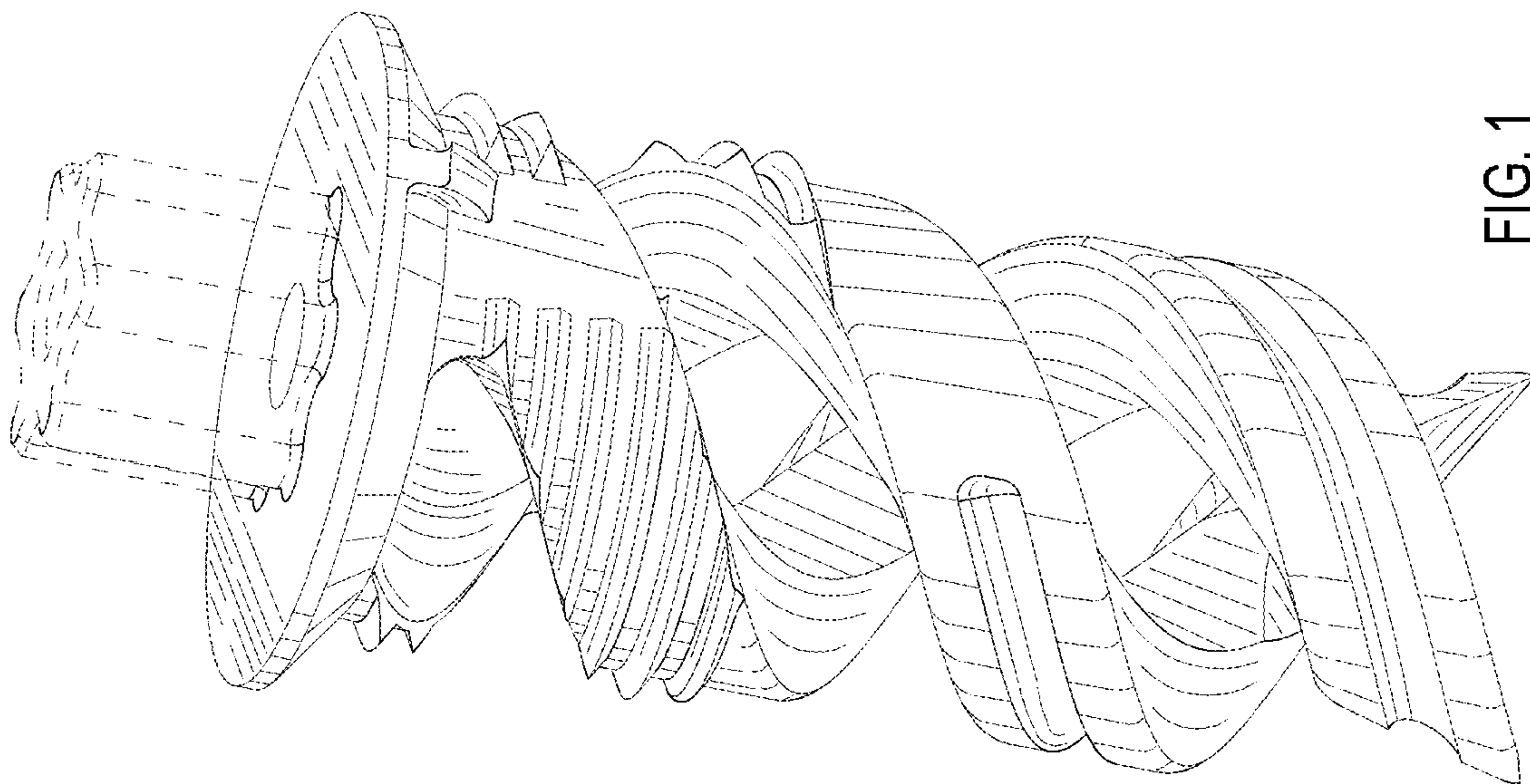


FIG. 1

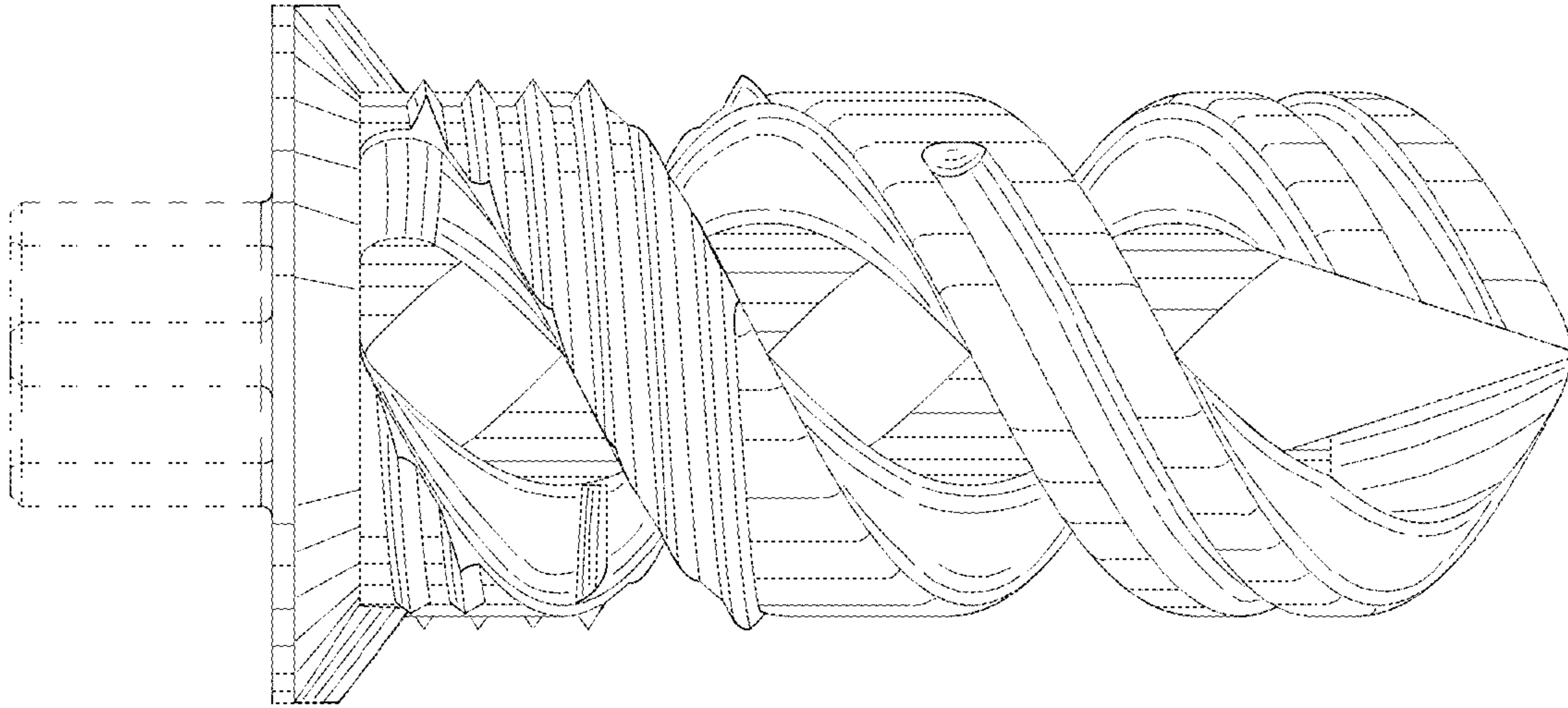


FIG. 4

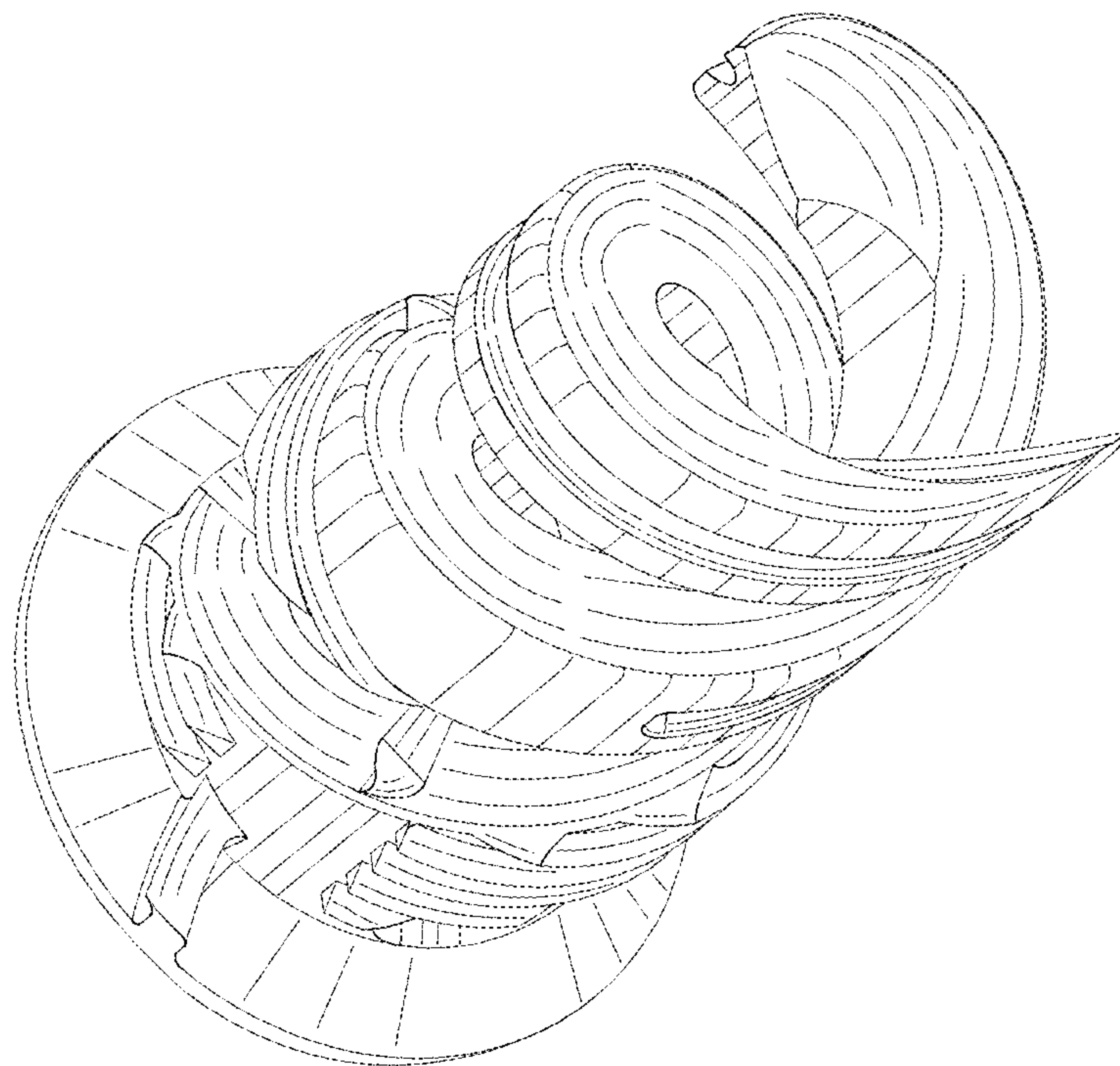


FIG. 3

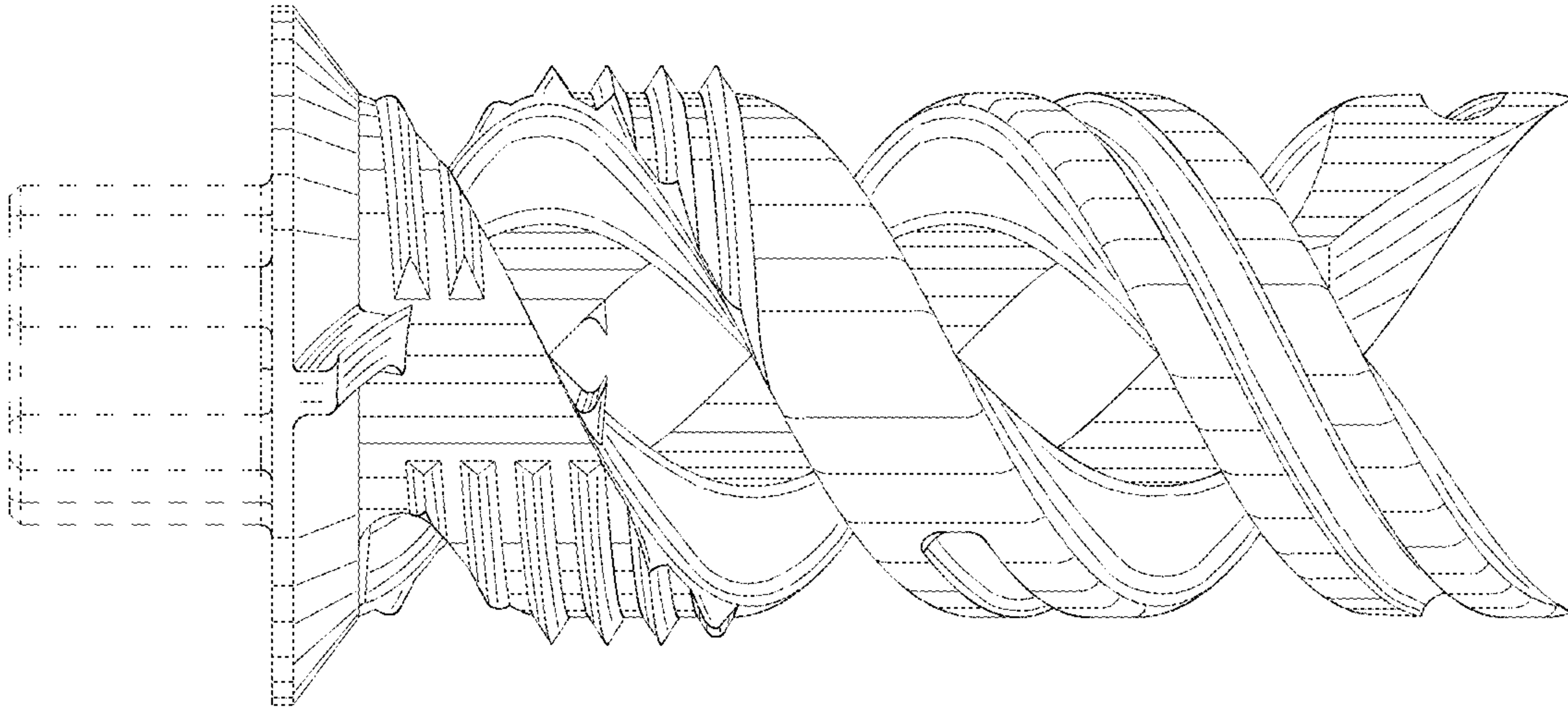


FIG. 6

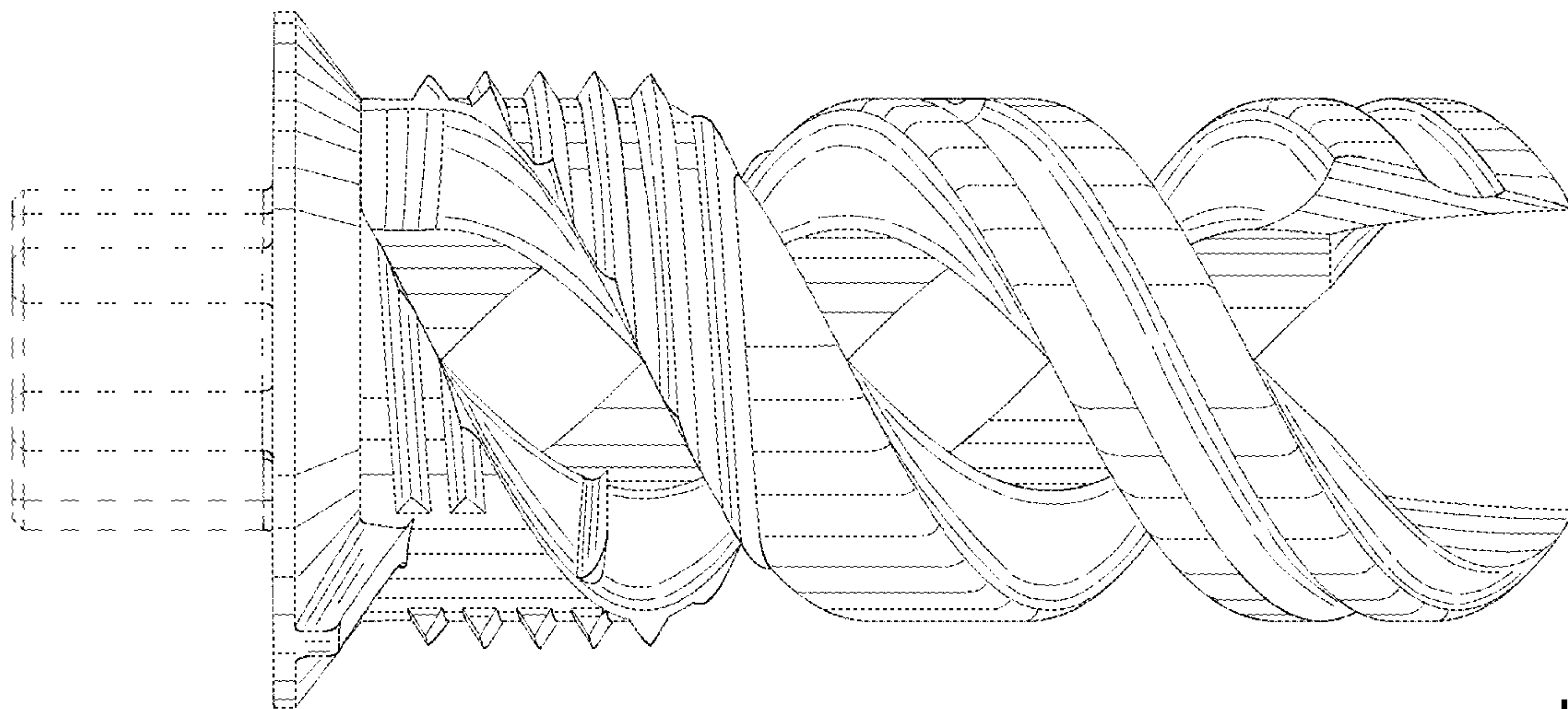


FIG. 5

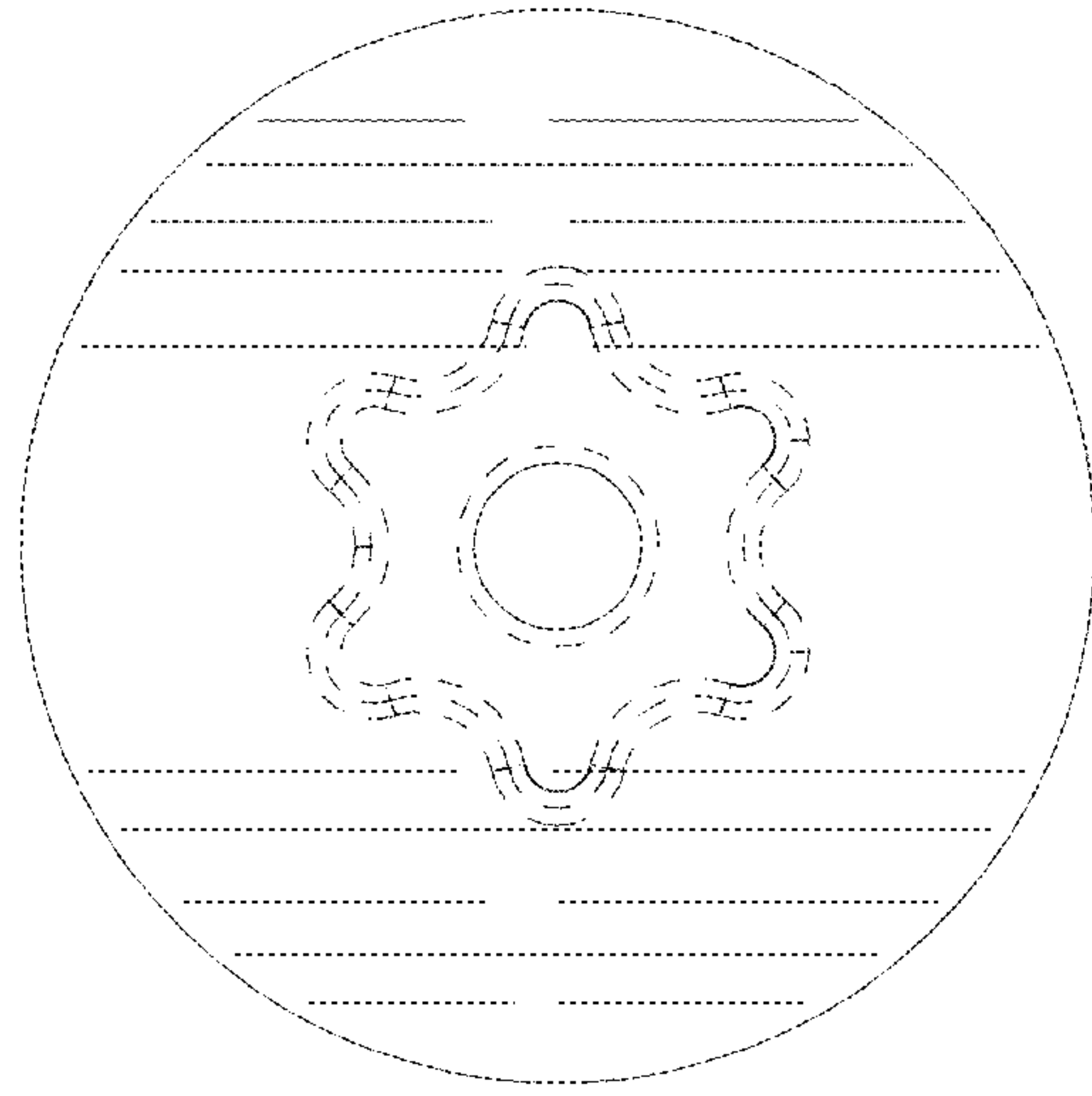


FIG. 8

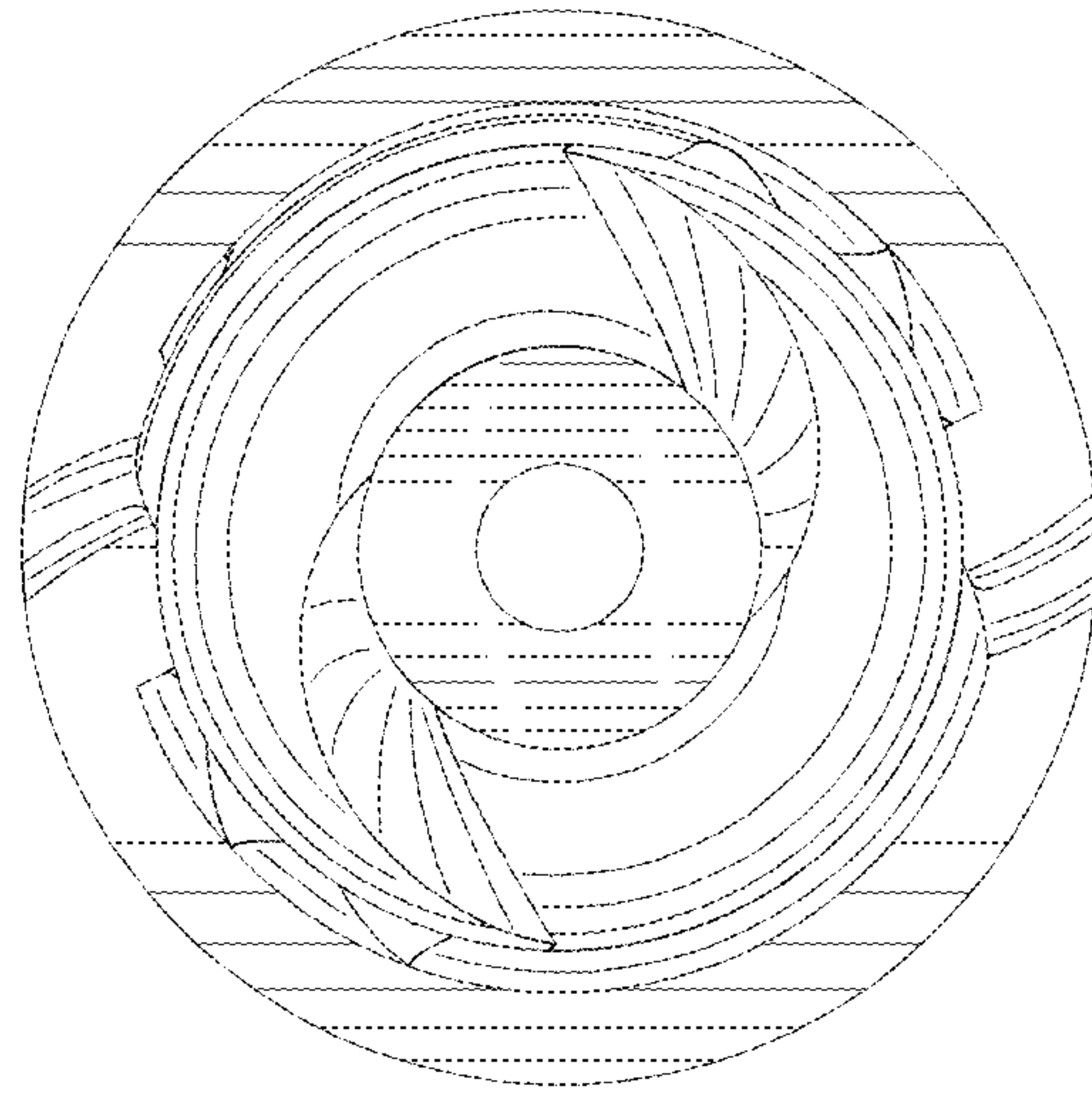


FIG. 9

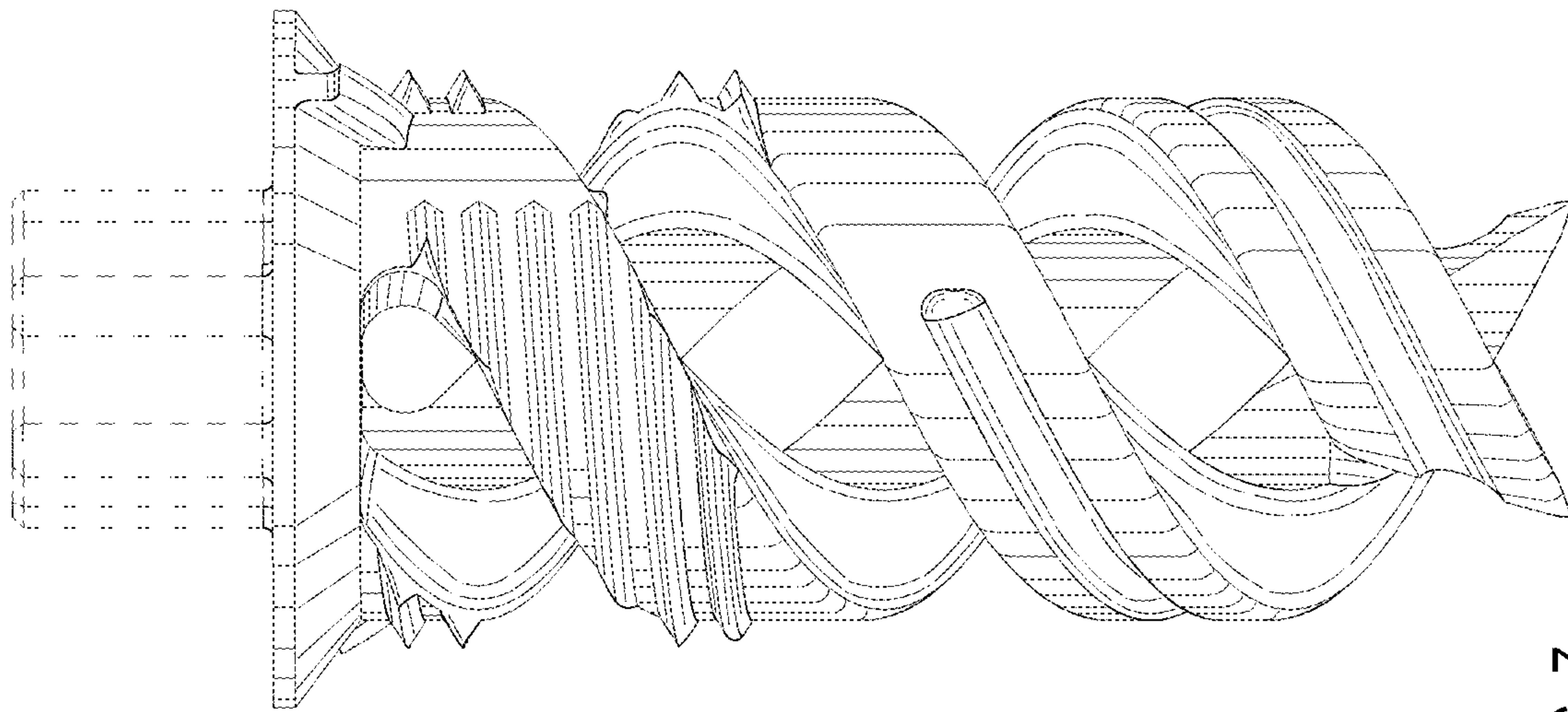


FIG. 7

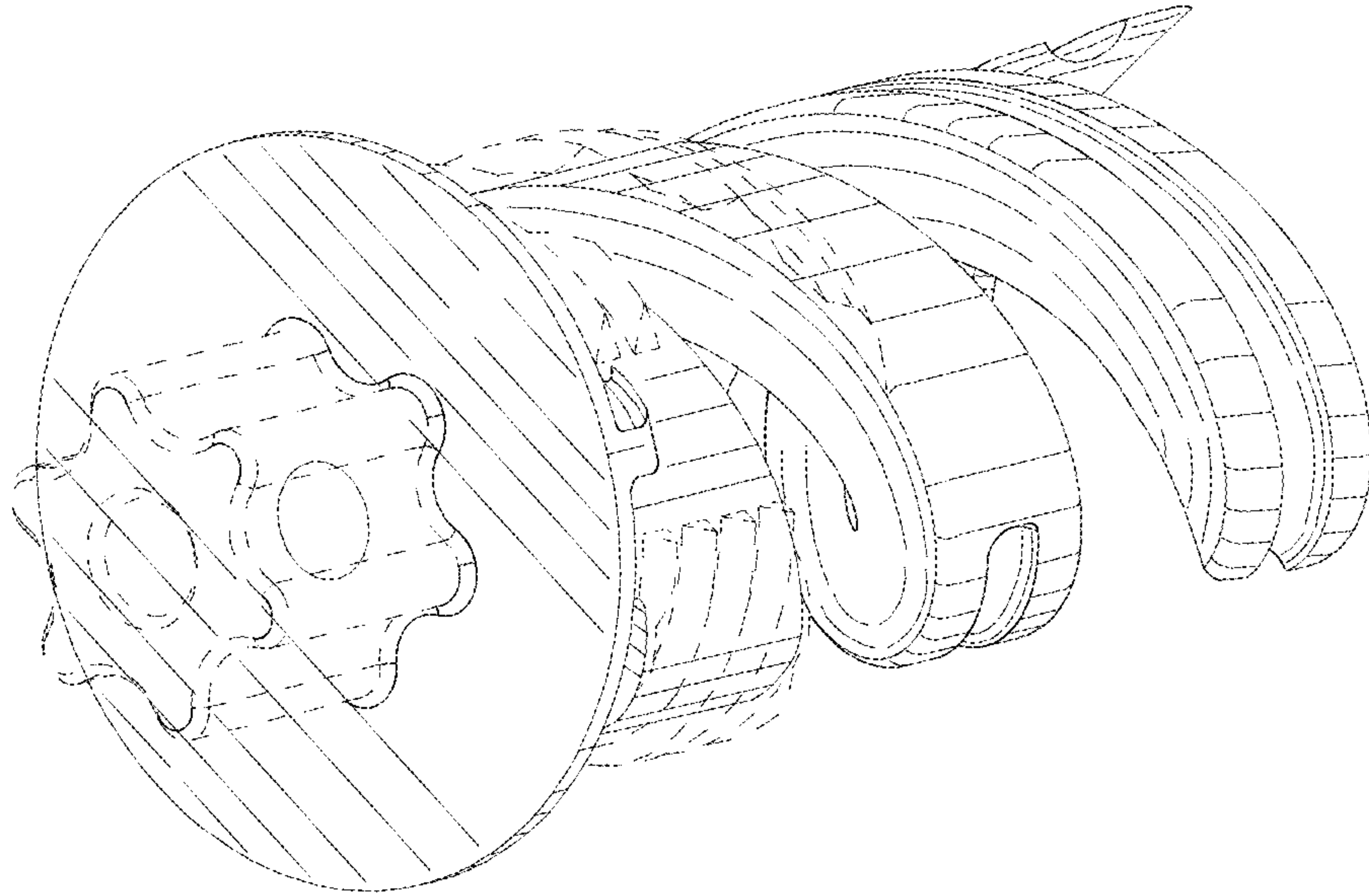


FIG. 11

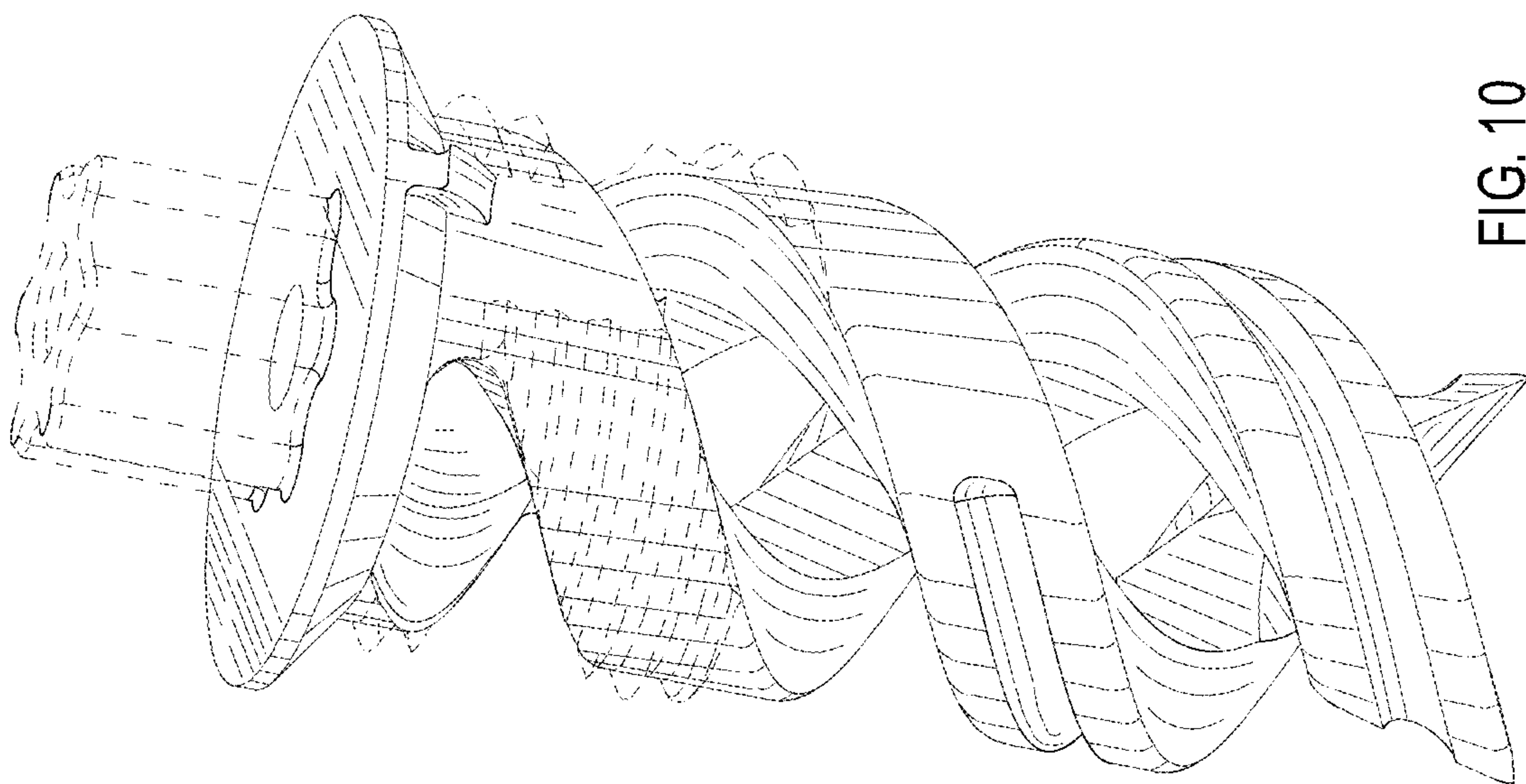


FIG. 10

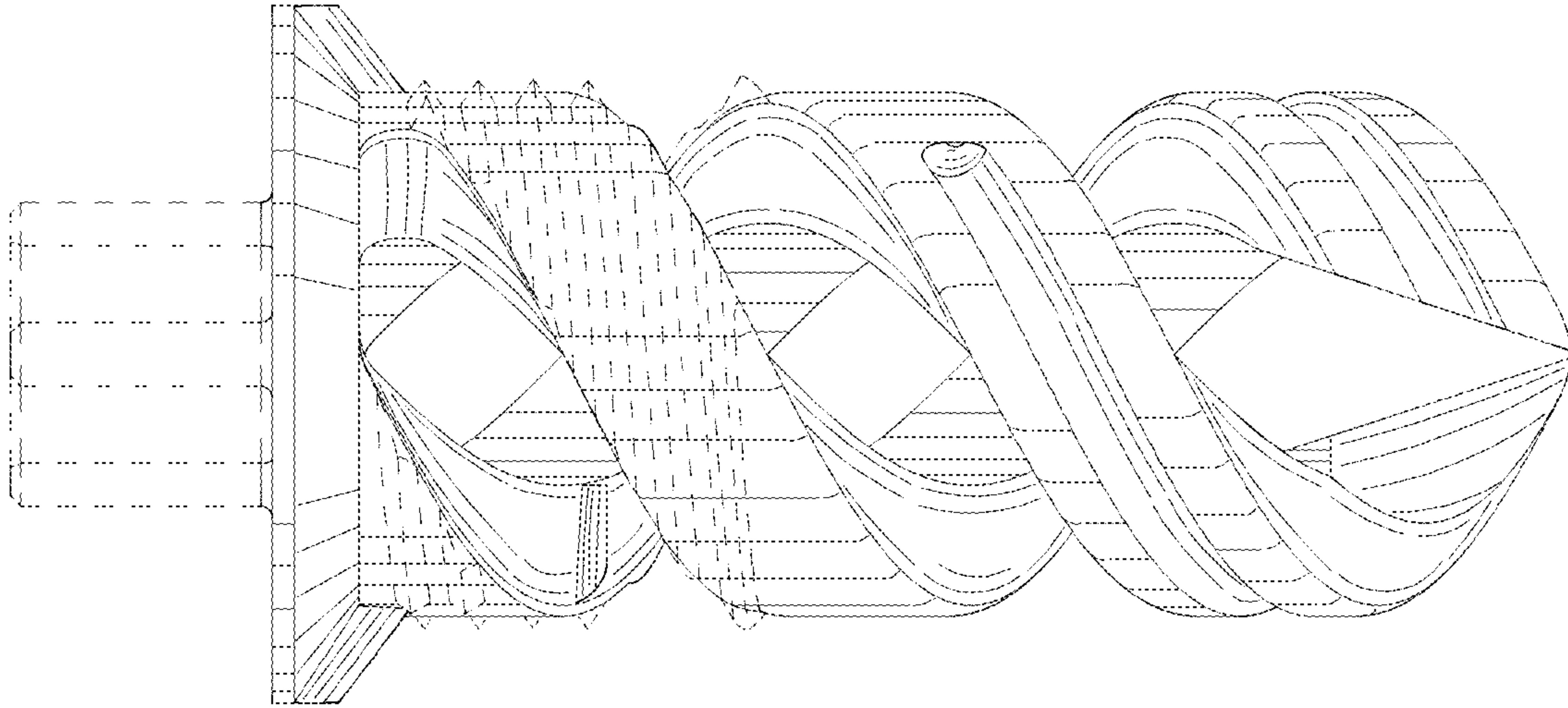


FIG. 13

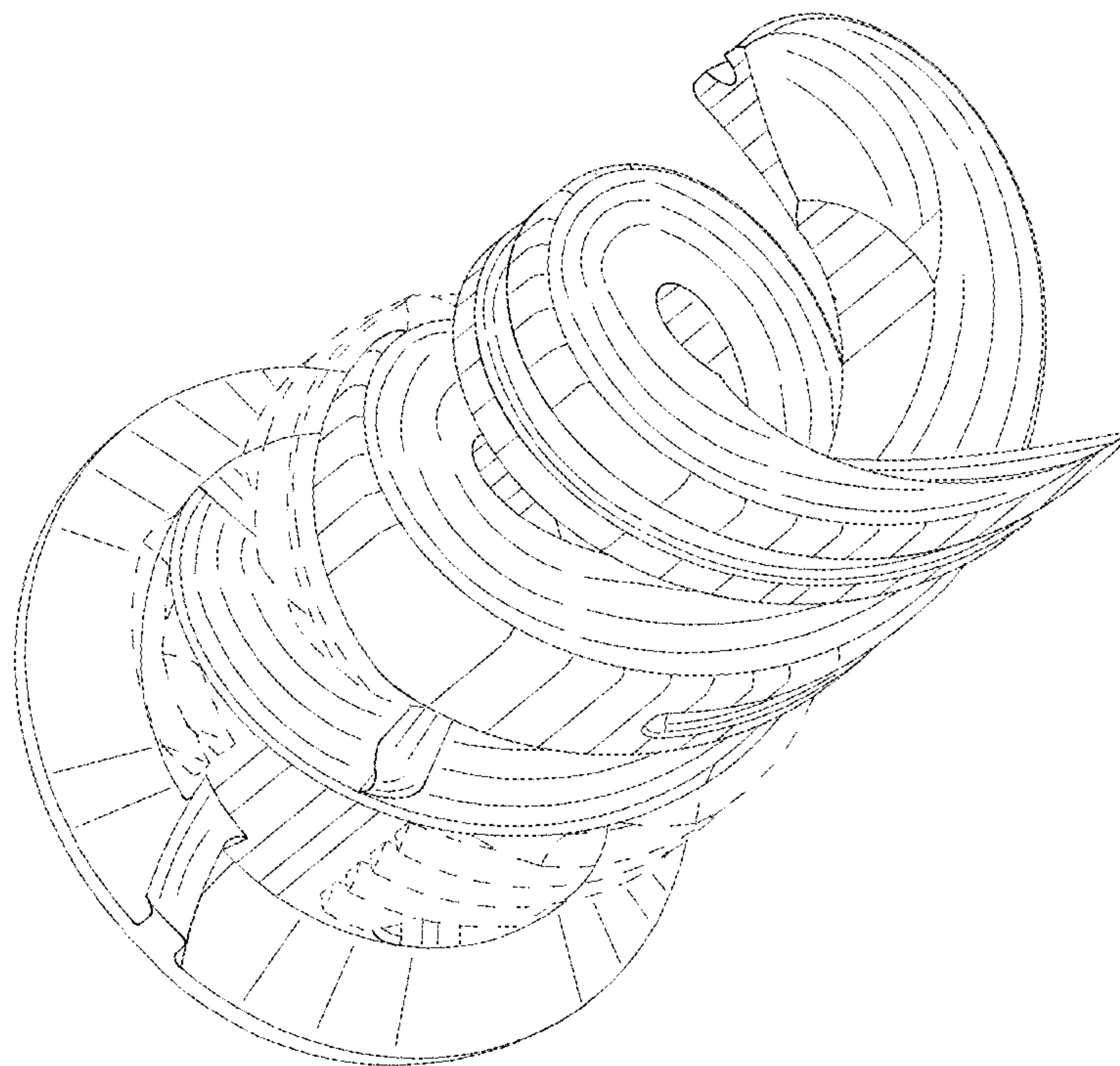


FIG. 12

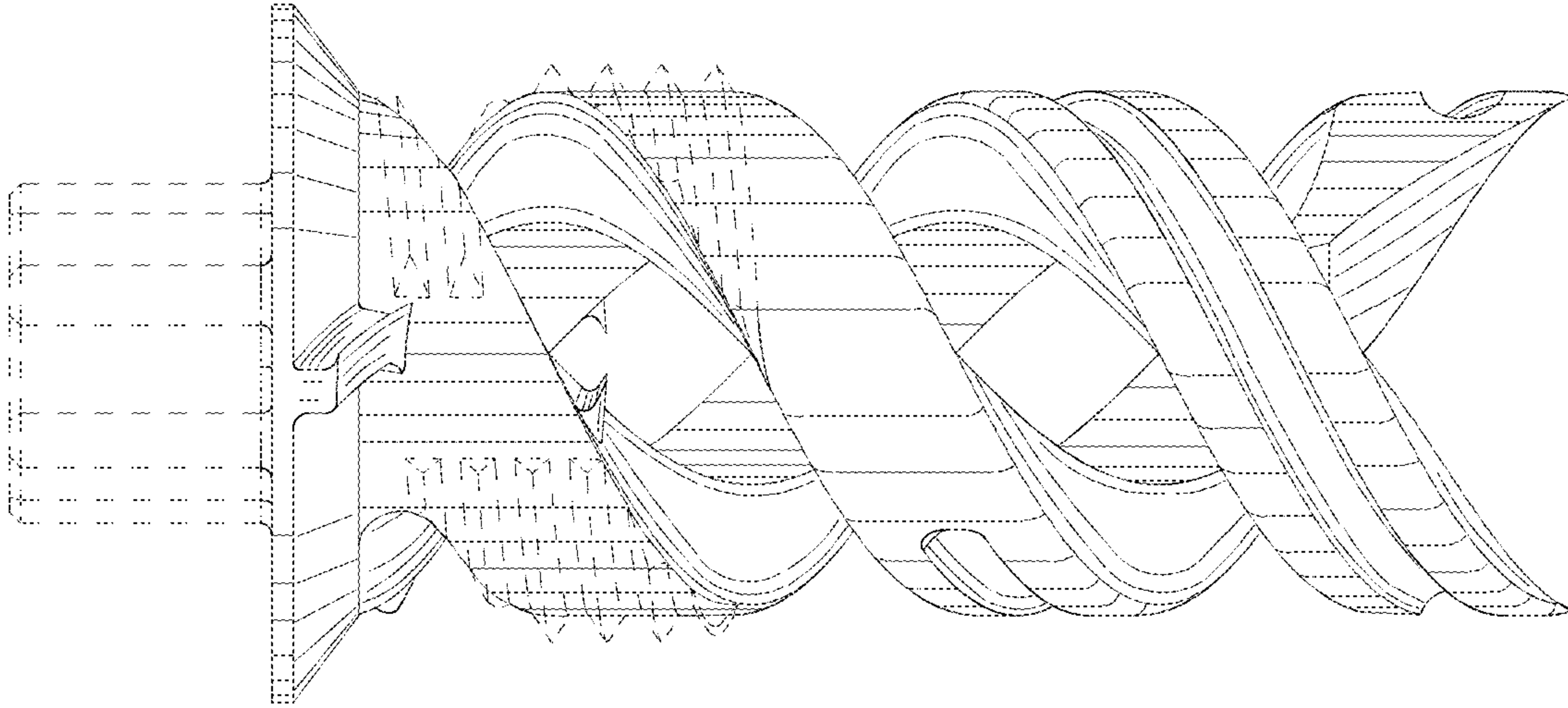


FIG. 15

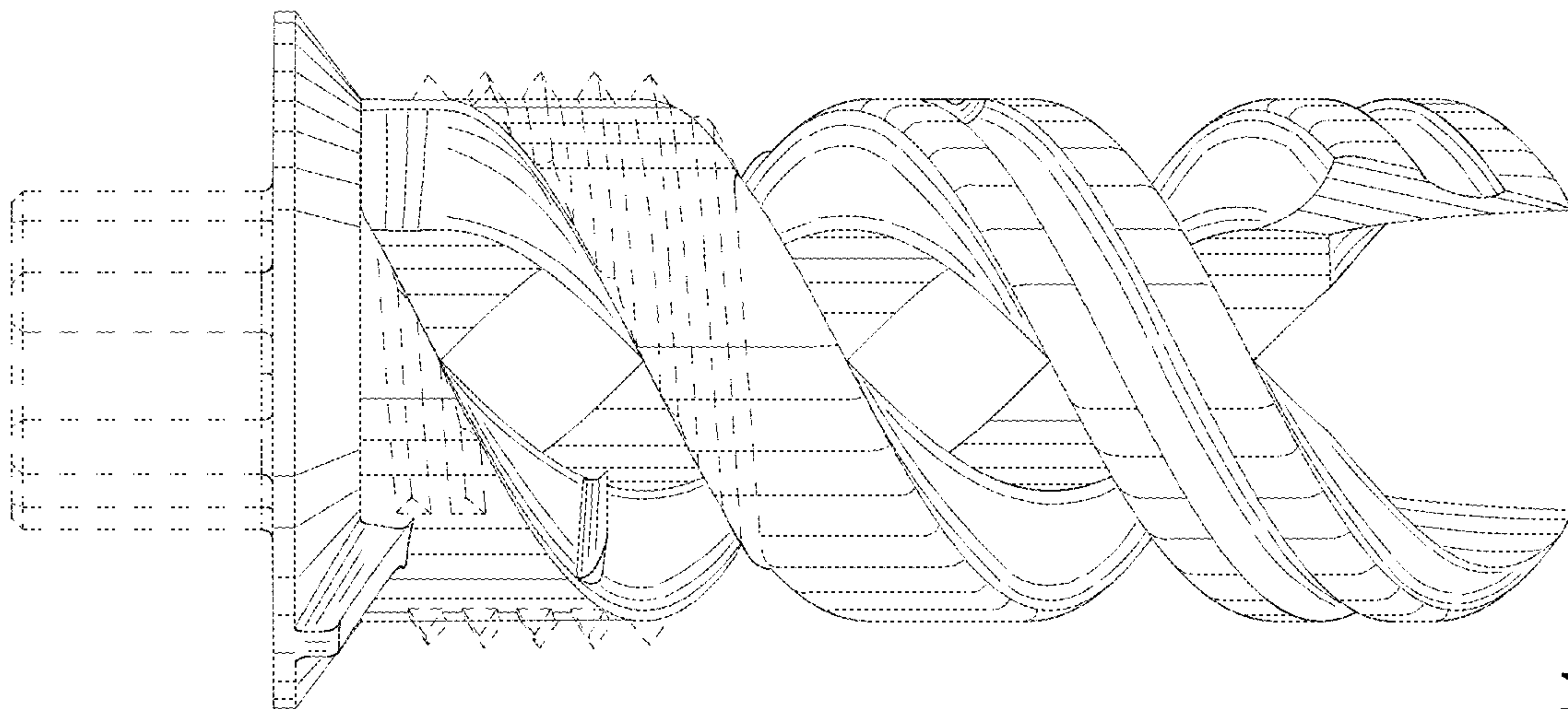


FIG. 14

FIG. 17

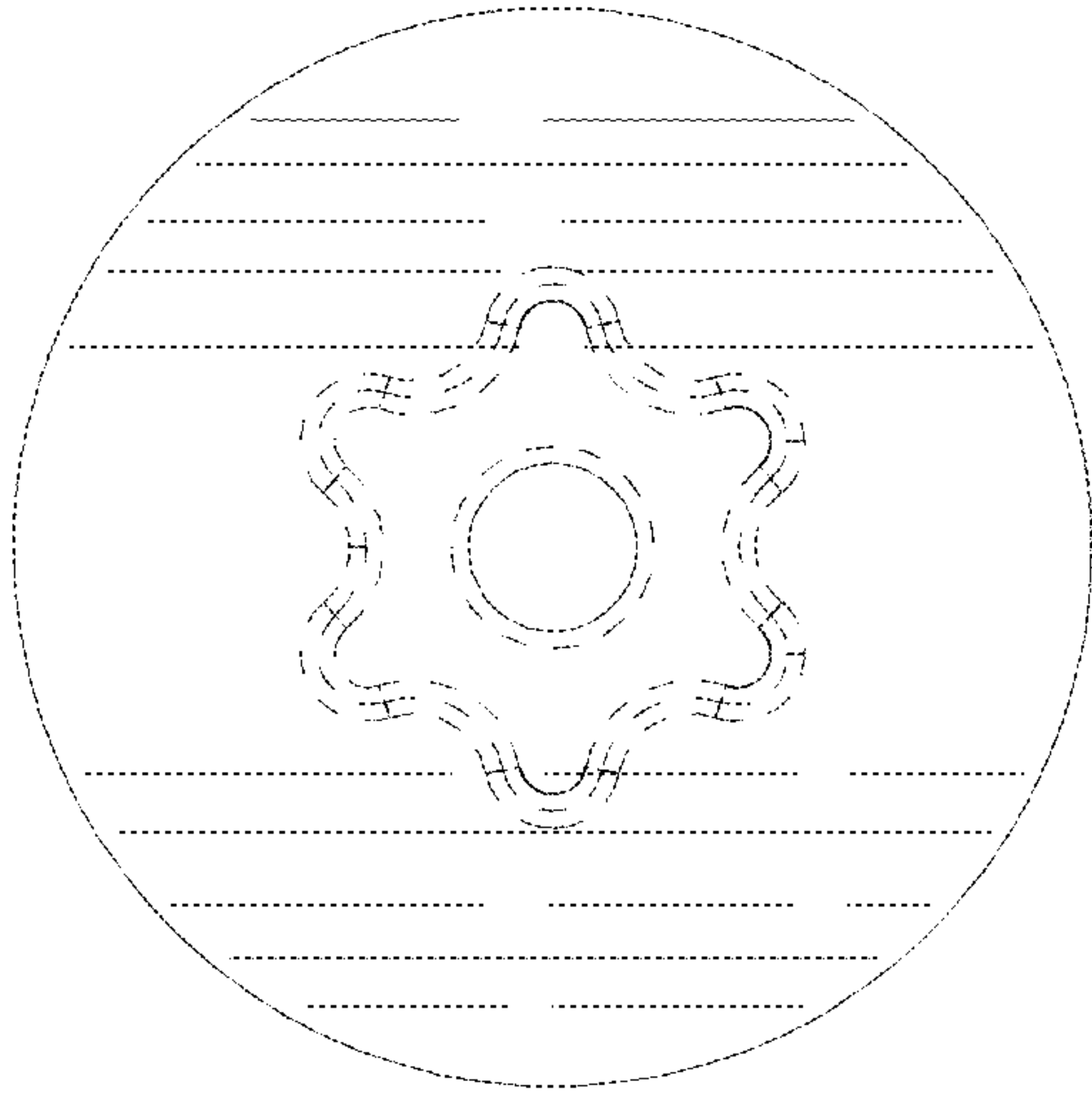


FIG. 18

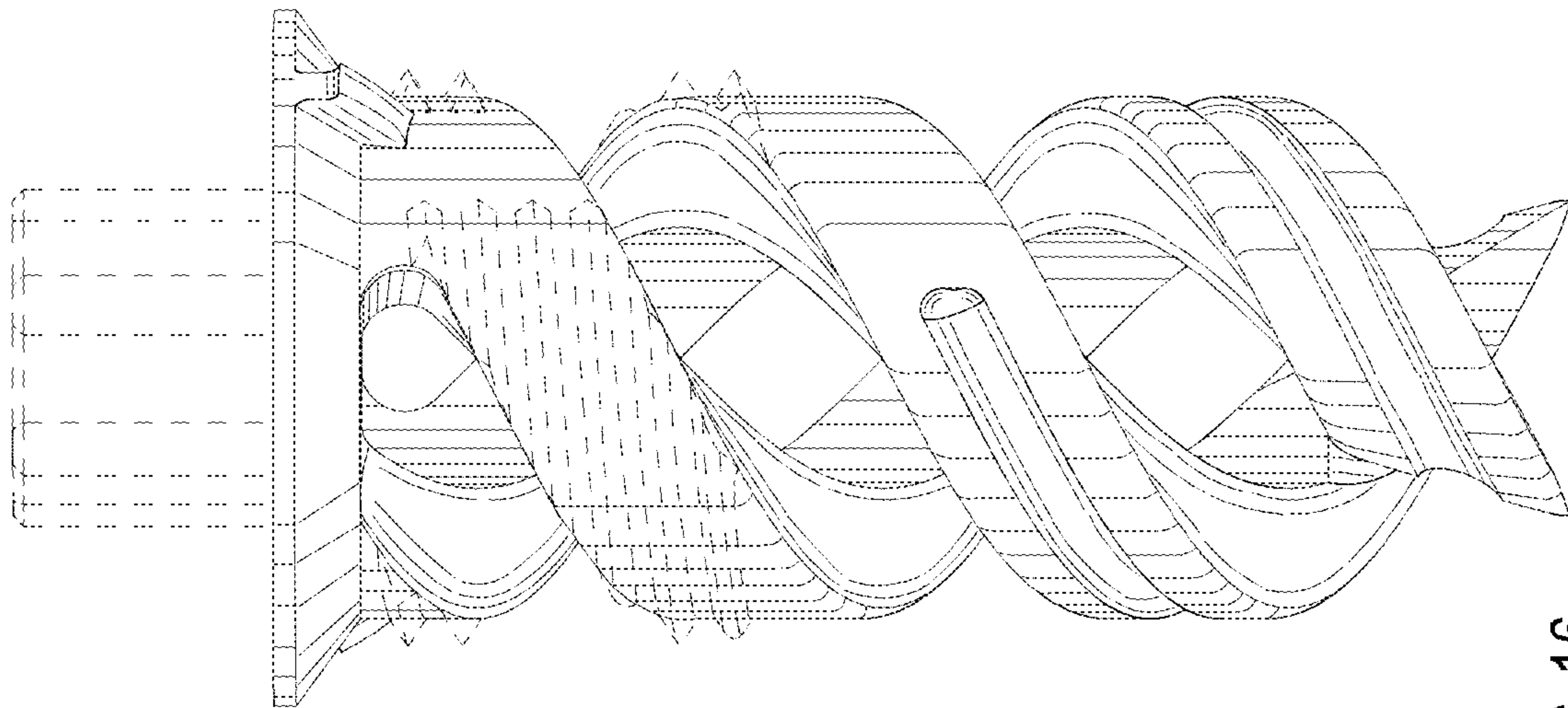
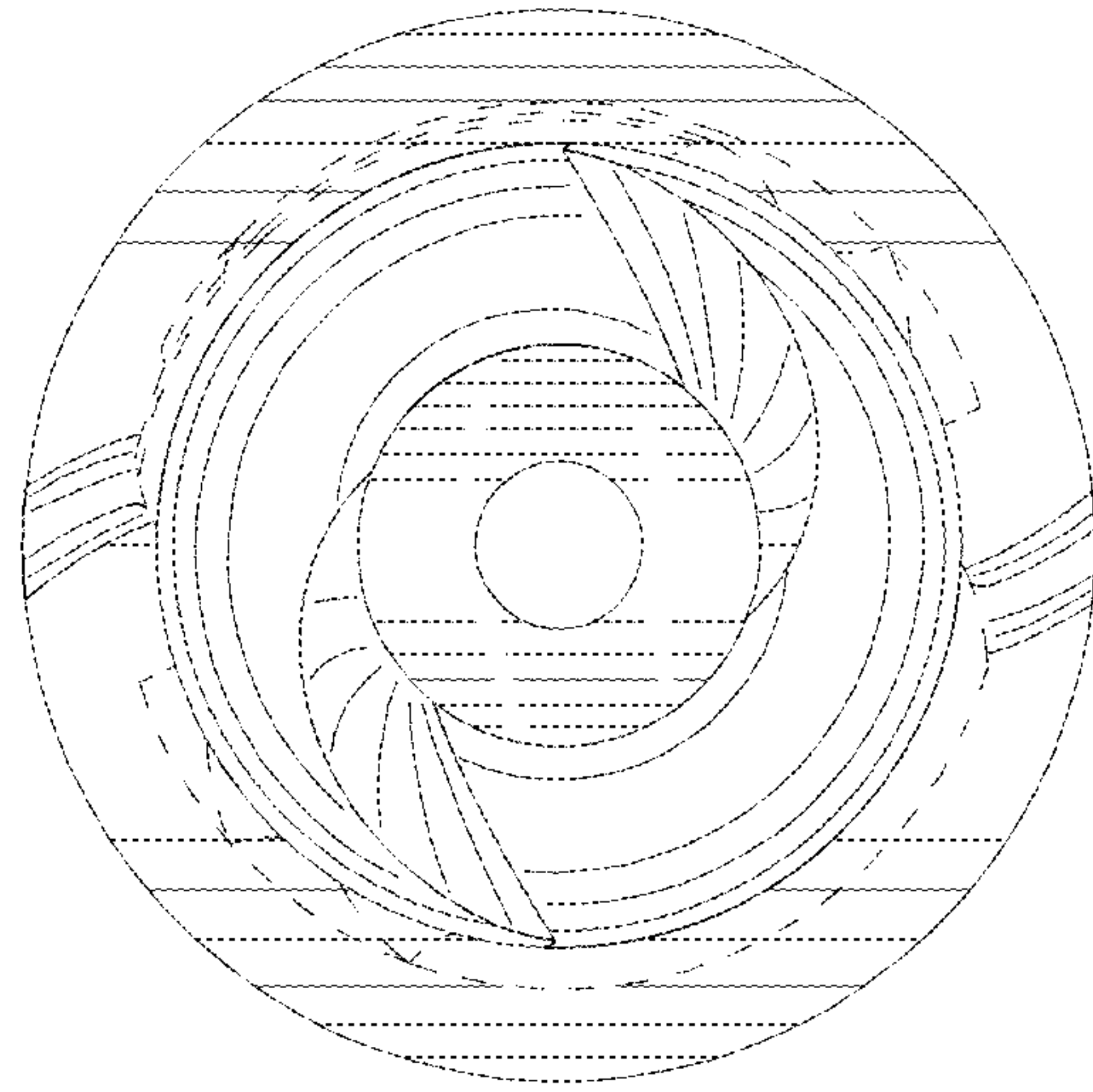


FIG. 16