



US00D935024S

(12) **United States Design Patent** (10) **Patent No.:** **US D935,024 S**
Reed et al. (45) **Date of Patent:** **** Nov. 2, 2021**

(54) **WEDGE-SHAPED IMPLANT HAVING RIDGES**

D580,552 S * 11/2008 Cohen D24/155
D598,105 S 8/2009 Krishna et al.
7,588,600 B2 * 9/2009 Benzel A61F 2/4425
606/279
D616,546 S * 5/2010 Vraney D24/155
7,749,272 B2 * 7/2010 Robie A61L 27/08
623/17.11
D623,750 S 9/2010 Duffield et al.
D691,272 S 10/2013 Dacosta et al.
(Continued)

(71) Applicant: **LifeNet Health**, Virginia Beach, VA (US)

(72) Inventors: **Lindsay Reed**, Virginia Beach, VA (US); **Andy Pritchard**, Virginia Beach, VA (US); **Dennis Phelps**, Chesapeake, VA (US)

(73) Assignee: **LifeNet Health**, Virginia Beach, VA (US)

(**) Term: **15 Years**

(21) Appl. No.: **29/780,085**

(22) Filed: **Apr. 22, 2021**

Related U.S. Application Data

(62) Division of application No. 29/639,234, filed on Mar. 5, 2018, now Pat. No. Des. 917,697.

(51) **LOC (13) Cl.** **24-03**

(52) **U.S. Cl.**
USPC **D24/155**

(58) **Field of Classification Search**
USPC D24/155
CPC A61F 2/4611; A61F 2/442; A61F 2/447;
A61F 2220/0025; A61F 2310/00023;
A61F 2310/00017; A61F 2002/4475;
A61F 2002/30841; A61F 2002/2835;
A61F 2002/30904; A61F 2002/30785;
A61F 2002/443; A61F 2002/30578
See application file for complete search history.

(56) **References Cited**

U.S. PATENT DOCUMENTS

D553,742 S * 10/2007 Park D24/155
D580,551 S * 11/2008 Cohen A61F 2/30771
D24/155

OTHER PUBLICATIONS

Entire patent prosecution history of U.S. Appl. No. 29/639,234, filed Mar. 5, 2018, entitled, "Wedge-Shaped Implant Having Ridges."
(Continued)

Primary Examiner — Charles D Hanson
(74) *Attorney, Agent, or Firm* — RatnerPrestia

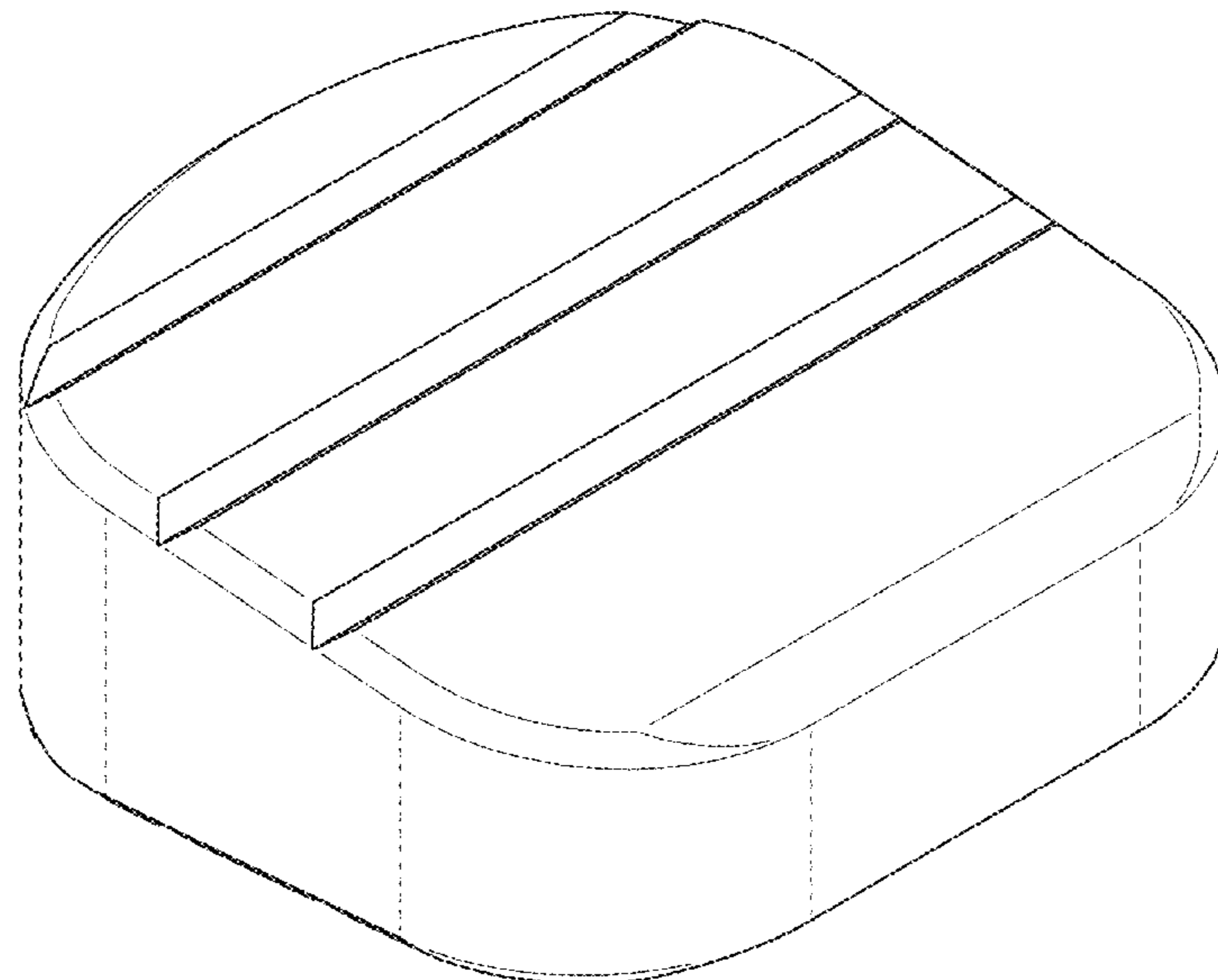
(57) **CLAIM**

The ornamental design for a wedge-shaped implant having ridges, as shown and described.

DESCRIPTION

FIG. 1 is an isometric view of a wedge-shaped implant having ridges according to a third embodiment;
FIG. 2 is a top plan view thereof;
FIG. 3 is a front elevation view thereof;
FIG. 4 is a rear elevation view thereof;
FIG. 5 is an elevation view thereof taken from the right side;
FIG. 6 is an elevation view thereof taken from the left side;
and,
FIG. 7 is a bottom plan view thereof.
The broken line showing of the wedge-shaped implant having ridges is for the purpose of illustrating portions of the wedge-shaped implant having ridges and forms no part of the claimed design.

1 Claim, 7 Drawing Sheets



(56)

References Cited

U.S. PATENT DOCUMENTS

D720,456 S 12/2014 Dacosta et al.
D720,457 S 12/2014 Bono et al.
D790,704 S 6/2017 Yang
D829,909 S 10/2018 Horton
D850,620 S 6/2019 Tyber
D857,201 S 8/2019 Predick et al.
10,470,900 B2 * 11/2019 Dacosta A61F 2/4606
D884,180 S * 5/2020 DaCosta D24/155
D926,985 S * 8/2021 Reed D24/155
2005/0209705 A1 9/2005 Niederauer et al.
2006/0100705 A1 * 5/2006 Puno A61F 2/30771
623/17.11
2009/0132046 A1 5/2009 Larche
2015/0335367 A1 11/2015 Austin et al.

OTHER PUBLICATIONS

Entire patent prosecution history of U.S. Appl. No. 29/793,318, filed Dec. 22, 2020, entitled, "Wedge-Shaped Implant Having Ridges."

* cited by examiner

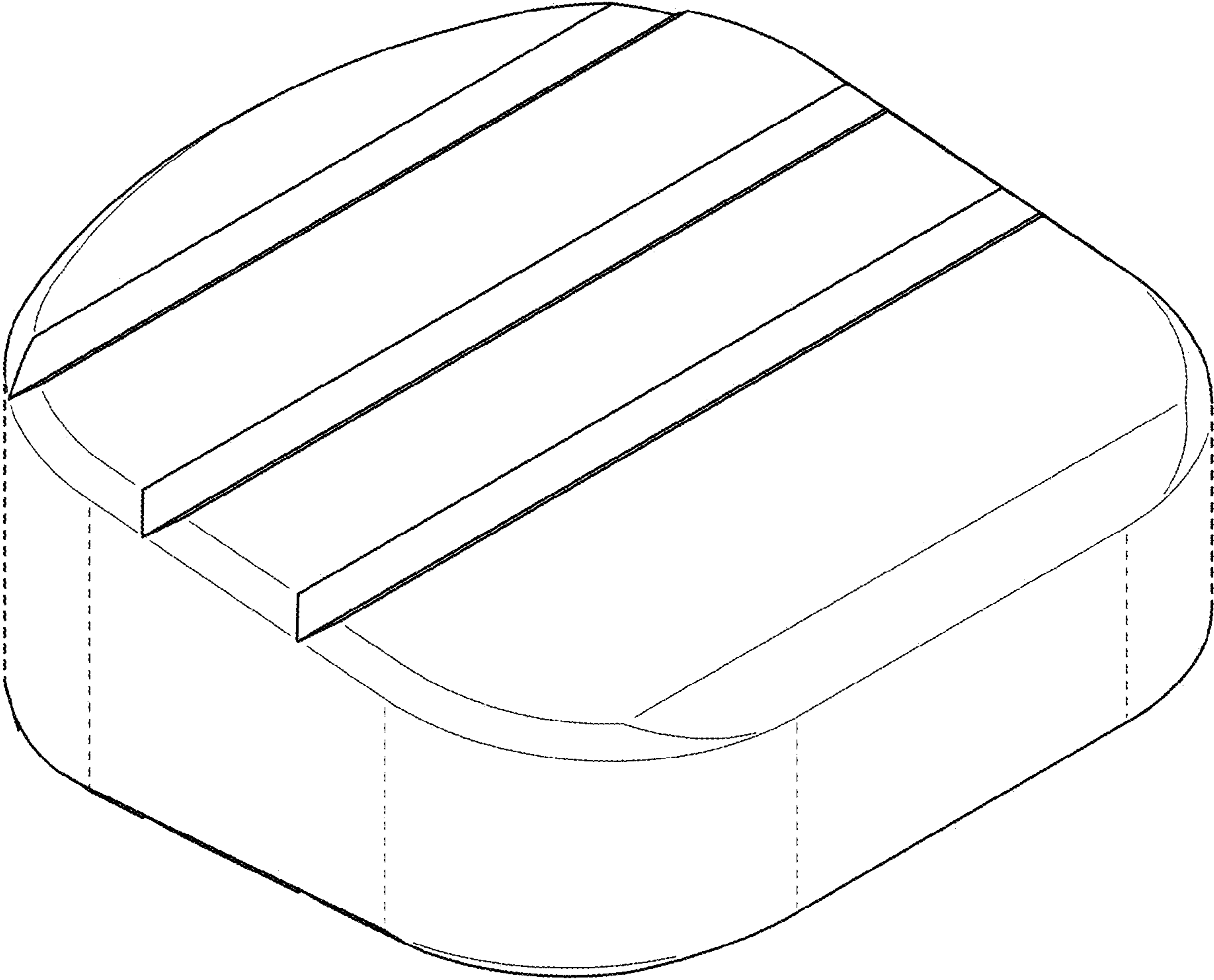


FIG. 1

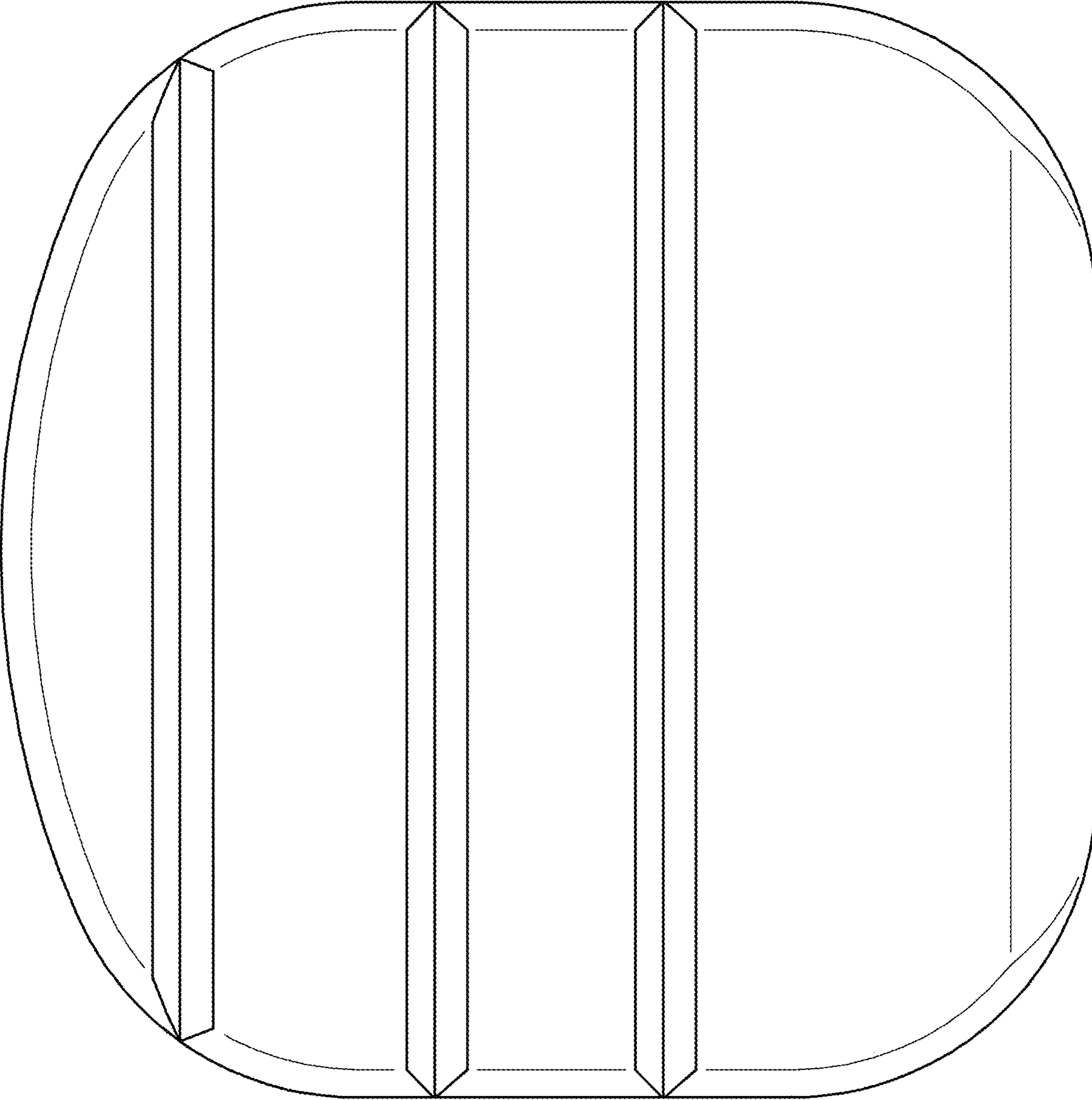


FIG. 2

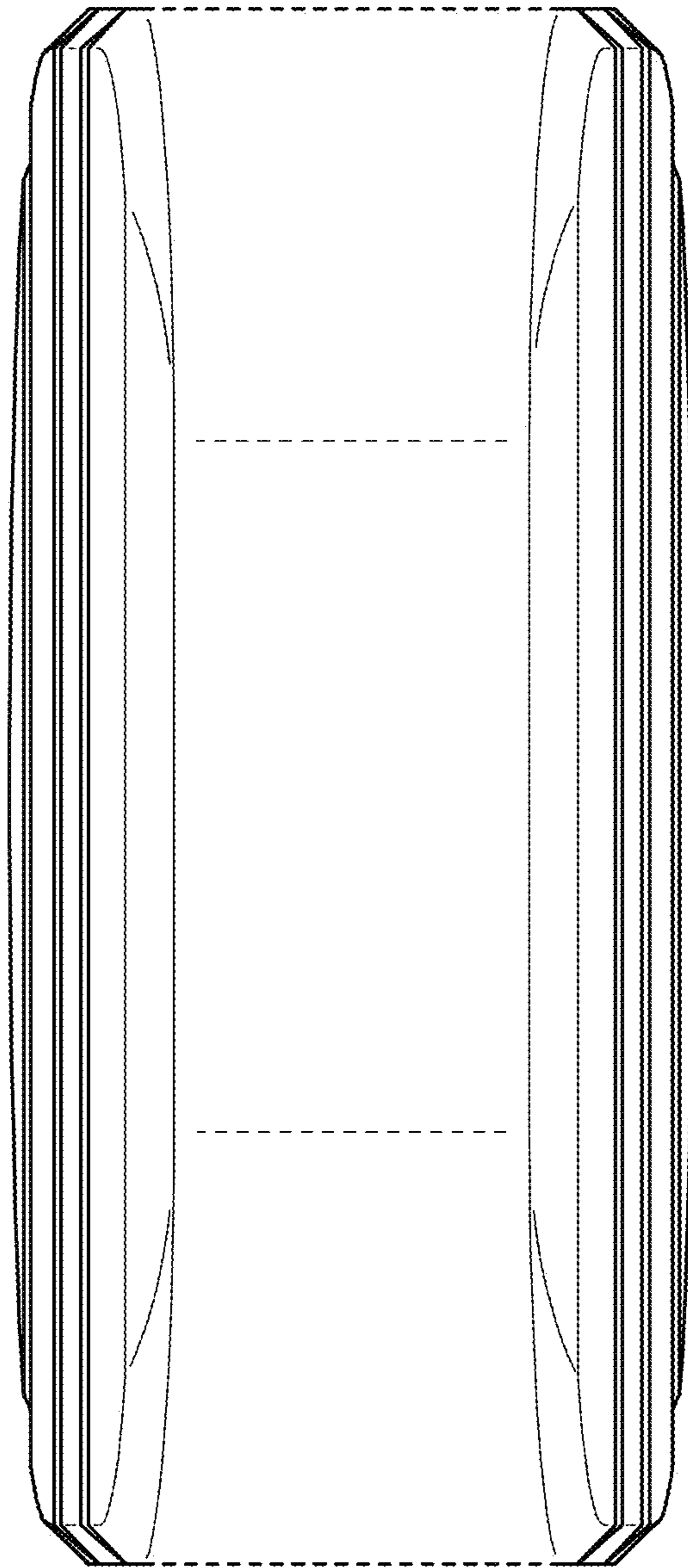


FIG. 3

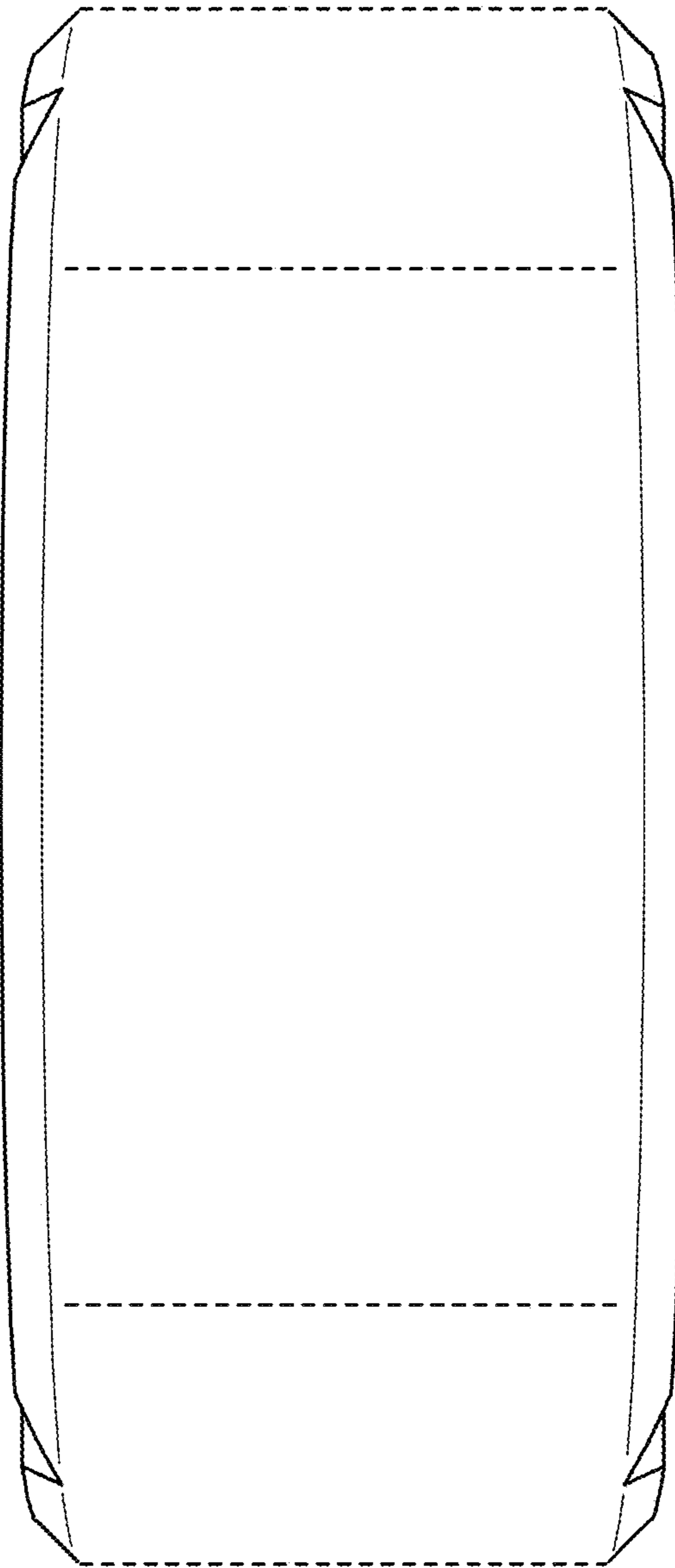


FIG. 4

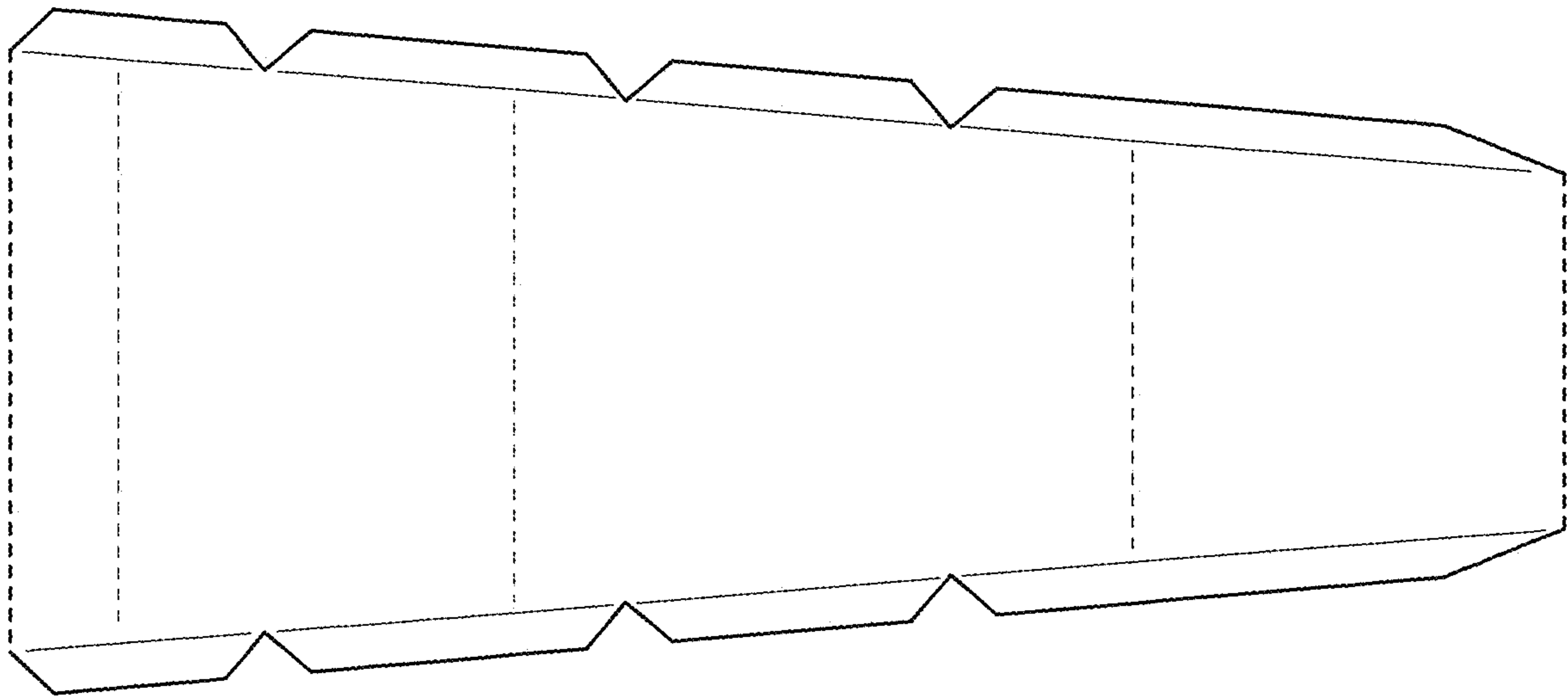


FIG. 5

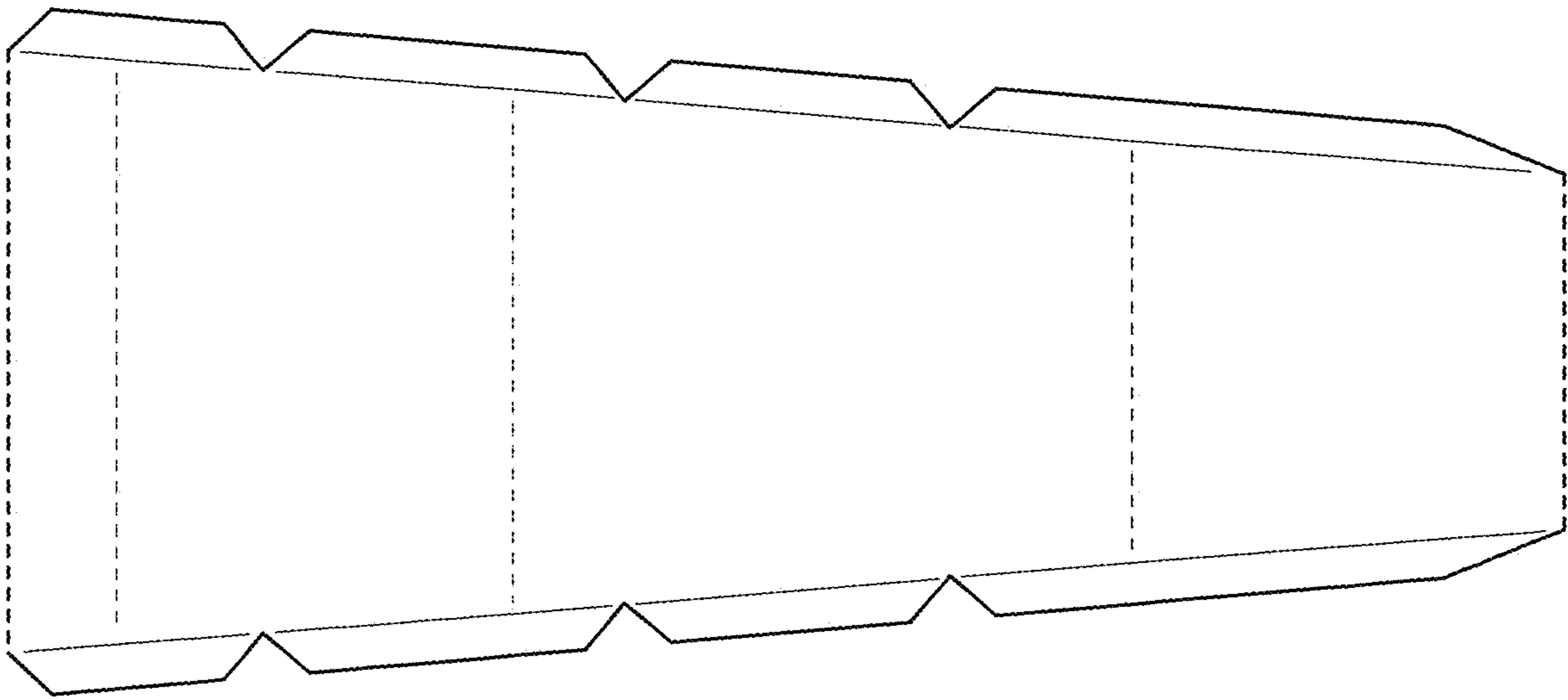


FIG. 6

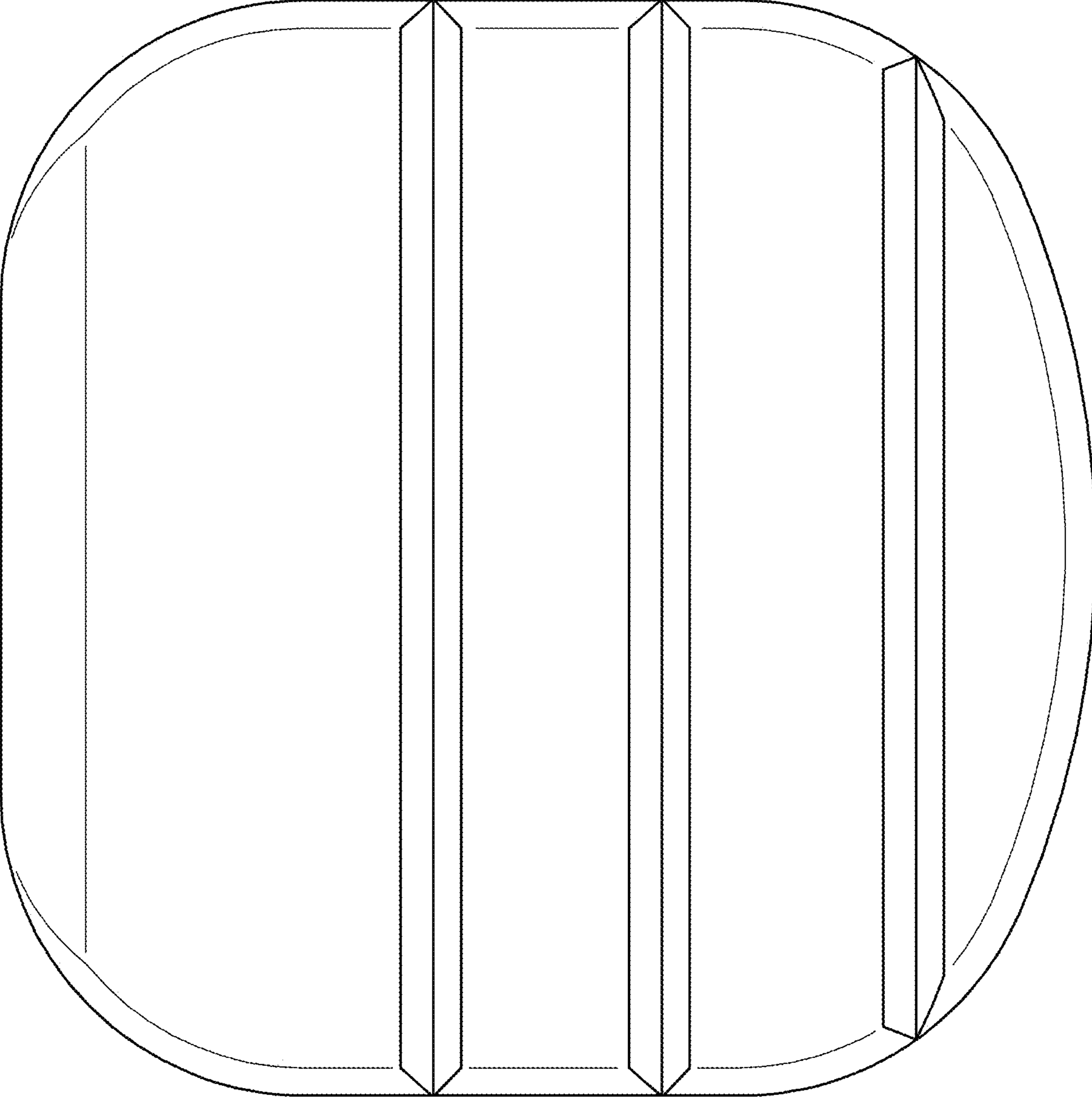


FIG. 7