



US00D935022S

(12) **United States Design Patent**
Kim et al.

(10) **Patent No.:** **US D935,022 S**
(45) **Date of Patent:** **** Nov. 2, 2021**

(54) **PORTABLE PLASMA GENERATOR**
(71) Applicant: **FEMTO SCIENCE INC**, Hwaseong-si (KR)
(72) Inventors: **Moo Hwan Kim**, Hwaseong-si (KR); **Yeon Sook Chang**, Hwaseong-si (KR)
(73) Assignee: **FEMTO SCIENCE INC**, Hwaseong-si (KR)
(**) Term: **15 Years**
(21) Appl. No.: **35/508,757**
(22) Filed: **Mar. 4, 2019**
(80) **Hague Agreement Data**
Int. Filing Date: **Mar. 4, 2019**
Int. Reg. No.: **DM/206192**
Int. Reg. Date: **Mar. 4, 2019**
Int. Reg. Pub. Date: **Mar. 6, 2020**

(30) **Foreign Application Priority Data**
Sep. 4, 2018 (KR) 30-2018-0041228
(51) **LOC (13) Cl.** **24-02**
(52) **U.S. Cl.**
USPC **D24/144**
(58) **Field of Classification Search**
USPC D24/144, 147, 172, 169; D15/144; D27/154; D8/30
CPC ... A61N 1/44; A61N 1/06; A61N 1/40; A61B 18/1815; A61B 18/148; A61B 18/042
See application file for complete search history.

(56) **References Cited**
U.S. PATENT DOCUMENTS
D207,977 S * 6/1967 Kensrue D8/30
D535,396 S * 1/2007 Reschke D24/144

D619,251 S * 7/2010 Justiniano-Garcia
A61B 17/32053
D24/147
D700,323 S * 2/2014 Affonce D24/144
D847,234 S * 4/2019 Gou D15/144
D847,235 S * 4/2019 Gou D15/144
D879,169 S * 3/2020 Xu D15/144.2
D899,594 S * 10/2020 Wang D24/144
D904,843 S * 12/2020 Hollinger D8/30

* cited by examiner

Primary Examiner — Eliza Z Bennett-Hattan
(74) *Attorney, Agent, or Firm* — Paratus Law Group, PLLC

(57) **CLAIM**

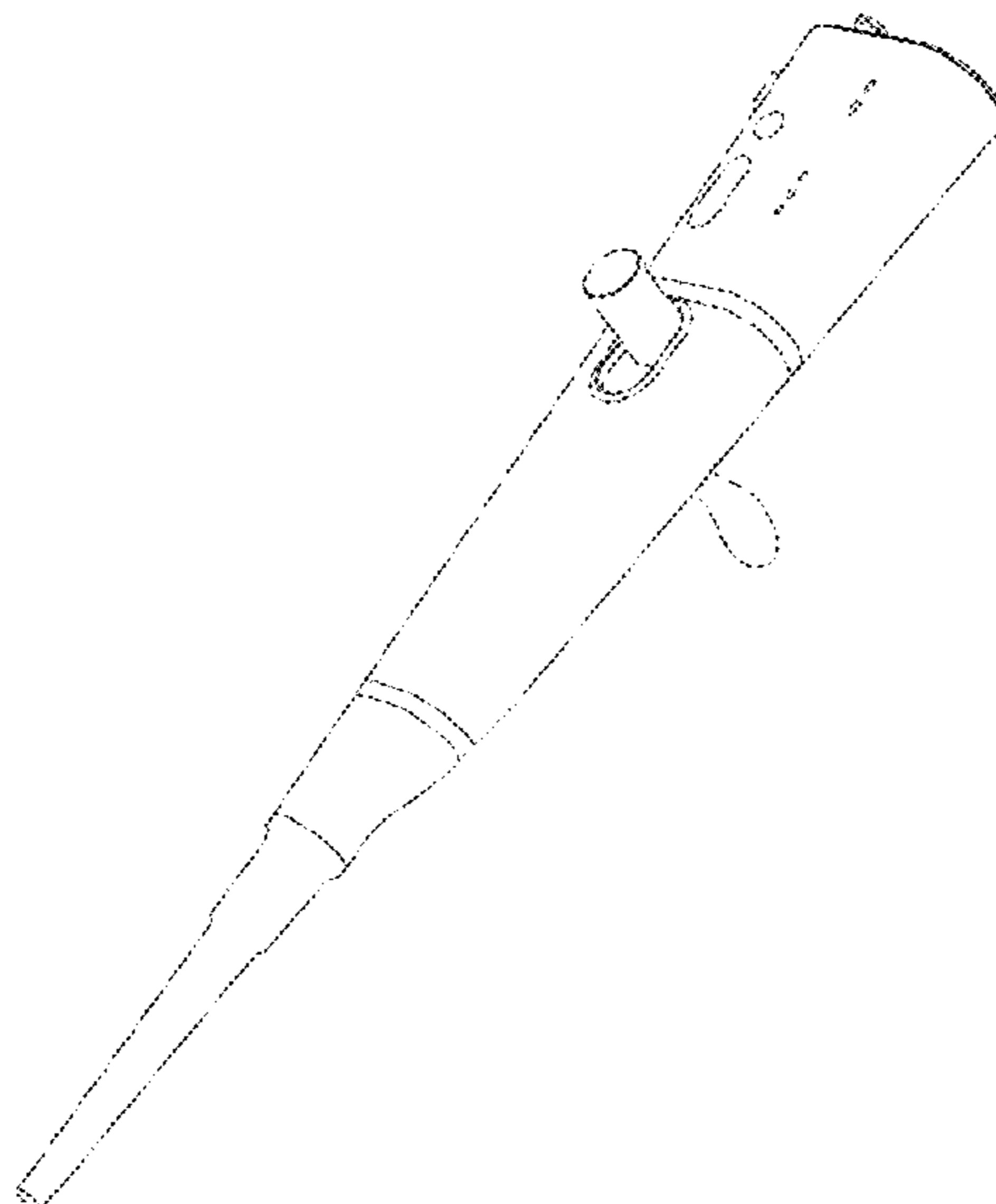
The ornamental design for a portable plasma generator, as shown and described.

DESCRIPTION

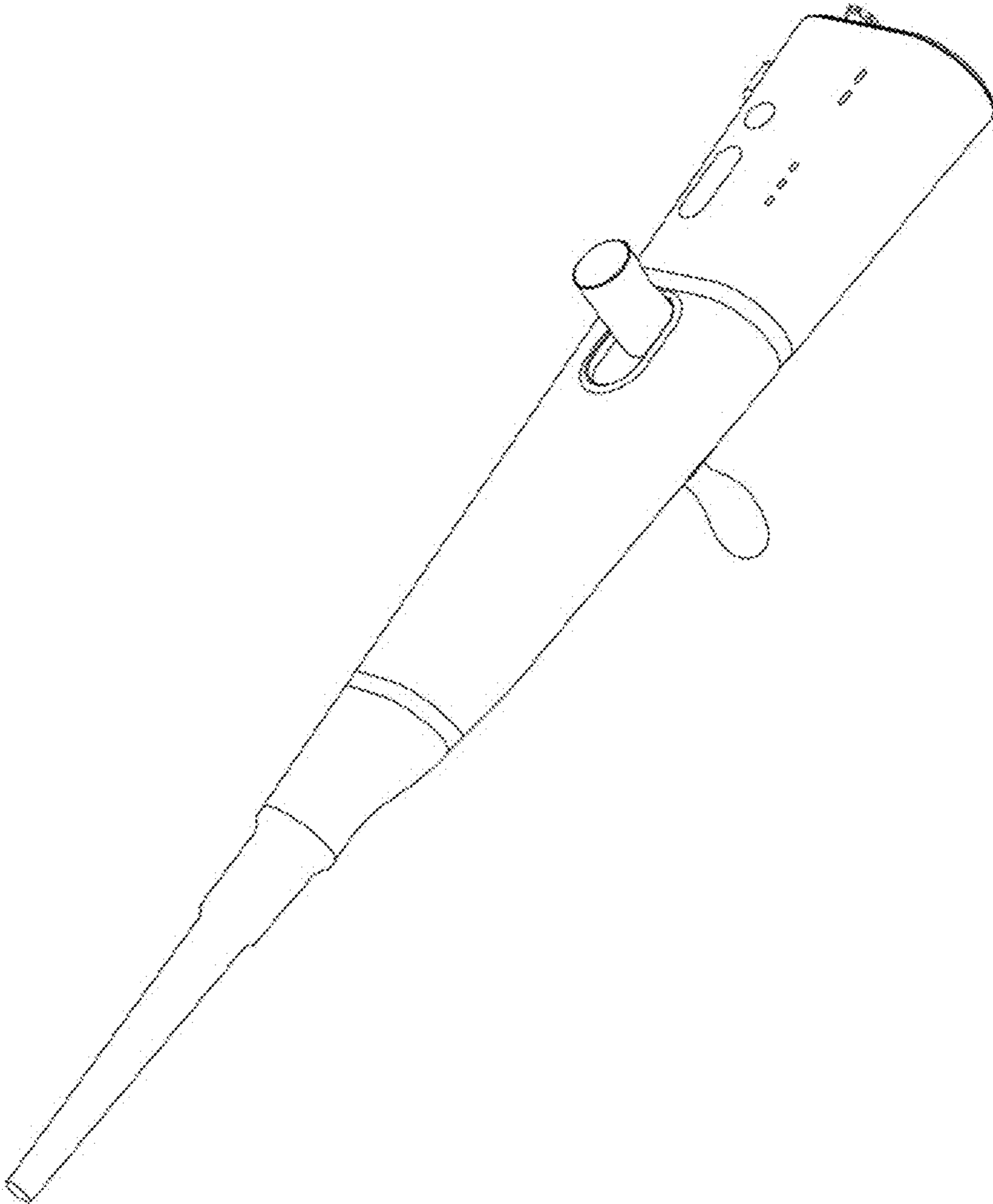
- 1. Portable plasma generator
- 1.1: Perspective
- 1.2: Front
- 1.3: Back
- 1.4: Left
- 1.5: Right
- 1.6: Top
- 1.7: Bottom

Figure 1.1 represents the overall shape of the design; figure 1.2 represents the front of this design; figure 1.3 represents the rear side of this design; figure 1.4 represents the left side of this design; figure 1.5 represents the right side of this design. figure 1.6 represents the plane of this design in an enlarged scale; figure 1.7 represents the bottom of this design in an enlarged scale. The portions of the portable plasma generator shown in broken lines form no part of the claimed design.

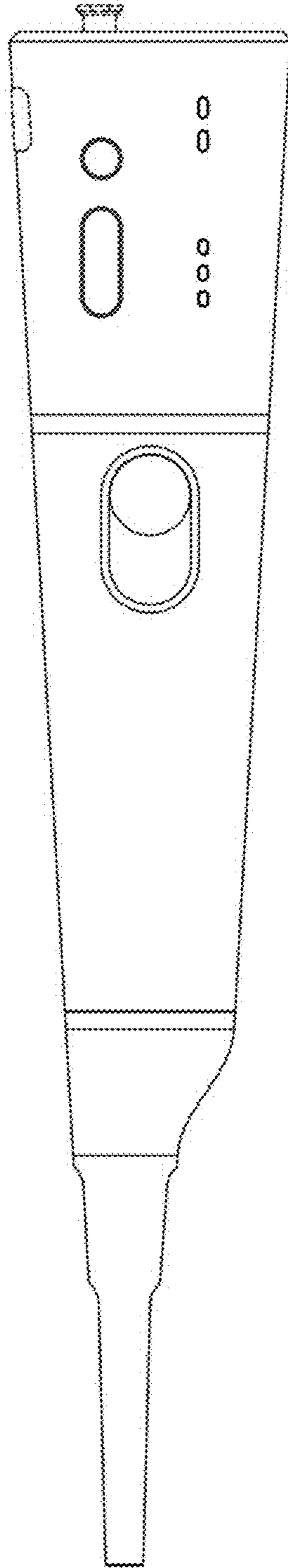
1 Claim, 7 Drawing Sheets



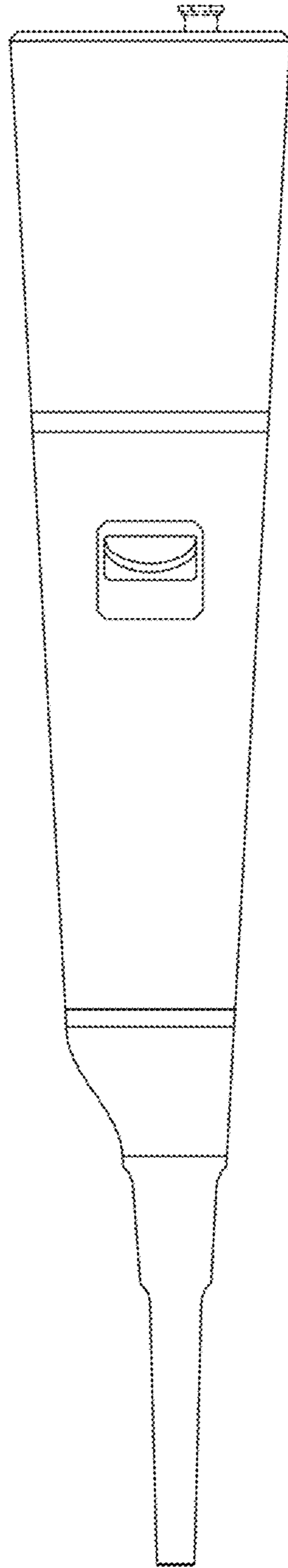
1.1



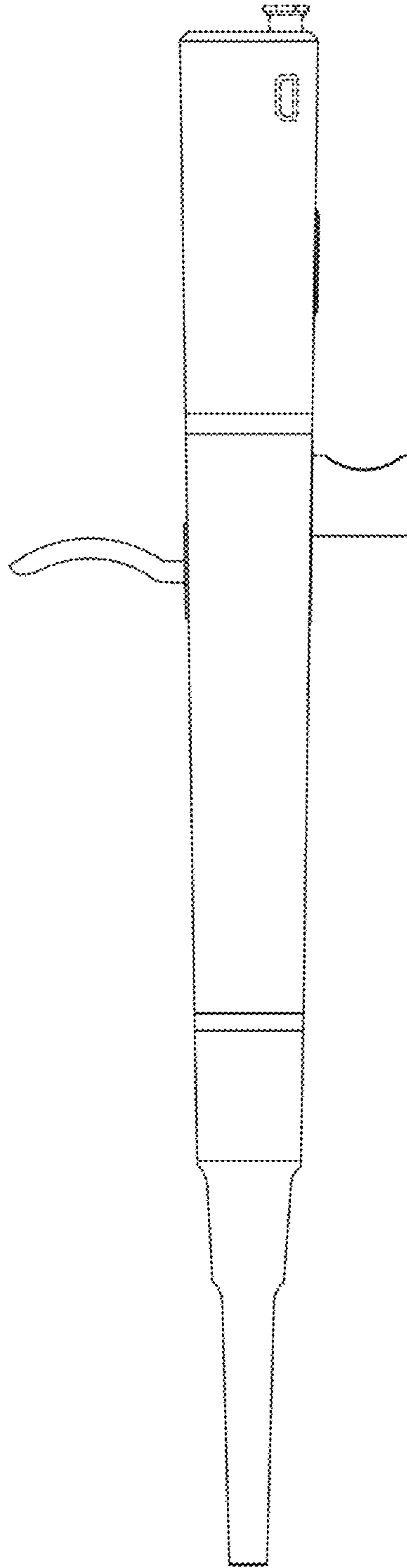
1.2



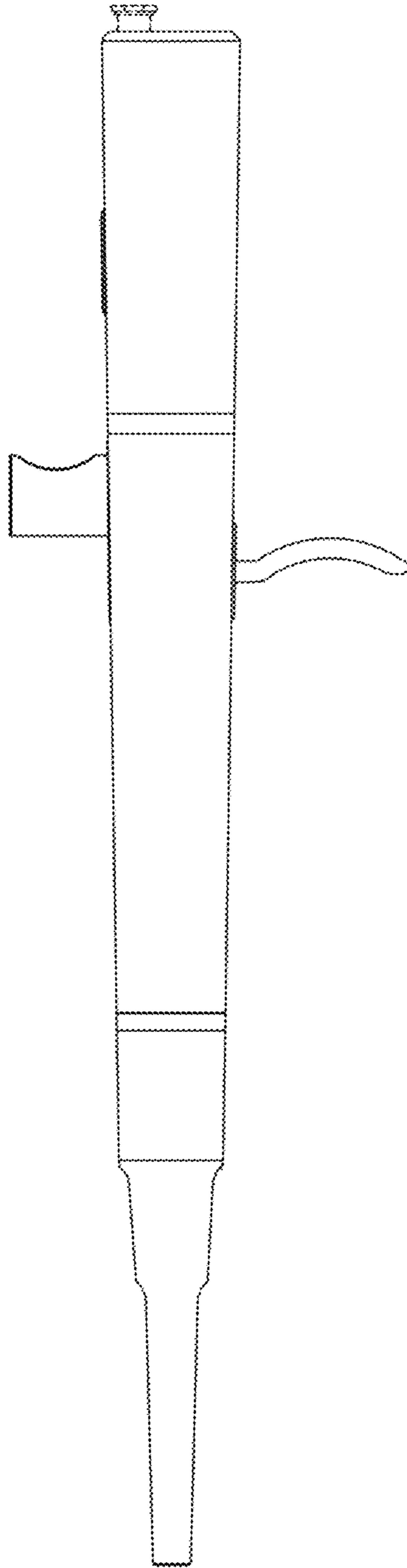
1.3



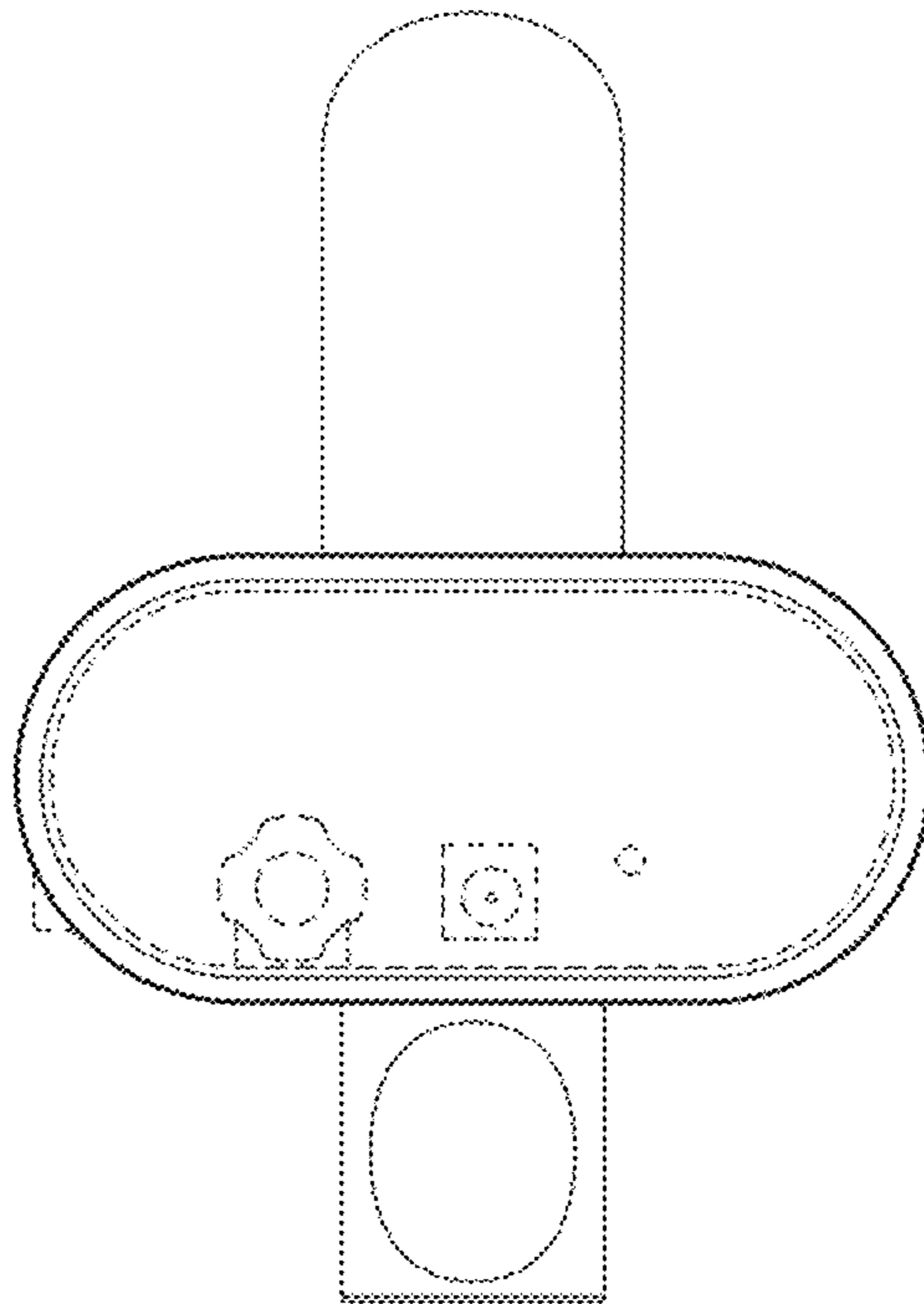
1.4



1.5



1.6



1.7

