



US00D935019S

(12) **United States Design Patent** (10) **Patent No.:** **US D935,019 S**
Sato et al. (45) **Date of Patent:** **** Nov. 2, 2021**

(54) **NEEDLE HOLDER FOR ENDOSCOPIC SURGERY**

D545,432 S * 6/2007 Watanabe D24/143
7,473,253 B2 * 1/2009 Dycus A61B 18/1445
606/51

(71) Applicant: **OLYMPUS CORPORATION,**
Hachioji (JP)

(Continued)

(72) Inventors: **Masatoshi Sato,** Tokyo (JP); **Takayuki Hatanaka,** Hachioji (JP); **Keisei Shimoda,** Hachioji (JP); **Nao Inoue,** Hachioji (JP); **Yoko Kamato,** Hachioji (JP); **Shuma Sasaki,** Hachioji (JP); **Elena Shimoji,** Hachioji (JP); **Shohei Hemmi,** Hachioji (JP)

FOREIGN PATENT DOCUMENTS

WO 2017145335 A1 8/2017
WO 2019180867 A1 9/2019

(73) Assignee: **OLYMPUS CORPORATION,**
Hachioji (JP)

OTHER PUBLICATIONS

Olympus medical website, Two-Piece Modular System, Mar. 26, 2021, <https://medical.olympusamerica.com/products/hq-hand-instruments/needle-holders> (Year: 2021).

(**) Term: **15 Years**

Primary Examiner — Nathan M Johnston

(21) Appl. No.: **29/788,763**

(74) *Attorney, Agent, or Firm* — Kenja IP Law PC

(22) Filed: **Jul. 27, 2021**

(57) **CLAIM**

Related U.S. Application Data

The ornamental design for a needle holder for endoscopic surgery, as shown and described.

(62) Division of application No. 29/718,569, filed on Dec. 26, 2019.

(51) **LOC (13) Cl.** **24-02**

DESCRIPTION

(52) **U.S. Cl.**
USPC **D24/143**

(58) **Field of Classification Search**

USPC D24/143–148, 133, 127–131, 112–114,
D24/186, 118; 606/181, 185; 604/264,
604/523–528, 272, 187, 158,
604/164.01–164.11, 181, 184, 227

CPC A61B 17/062; A61B 2017/0608; A61B
17/0469; A61B 17/29; A61B 2017/00296

See application file for complete search history.

FIG. 1 is a front perspective view of a needle holder for endoscopic surgery showing our new design in an opened state;

FIG. 2 is a front view of the needle holder for endoscopic surgery of FIG. 1, the rear view being a mirror image thereof;

FIG. 3 is a top plan view thereof;

FIG. 4 is a bottom plan view thereof;

FIG. 5 is a left side view thereof;

FIG. 6 is a right side view thereof; and,

FIG. 7 is a front view of the needle holder for endoscopic surgery of FIG. 1 shown in a closed state thereof.

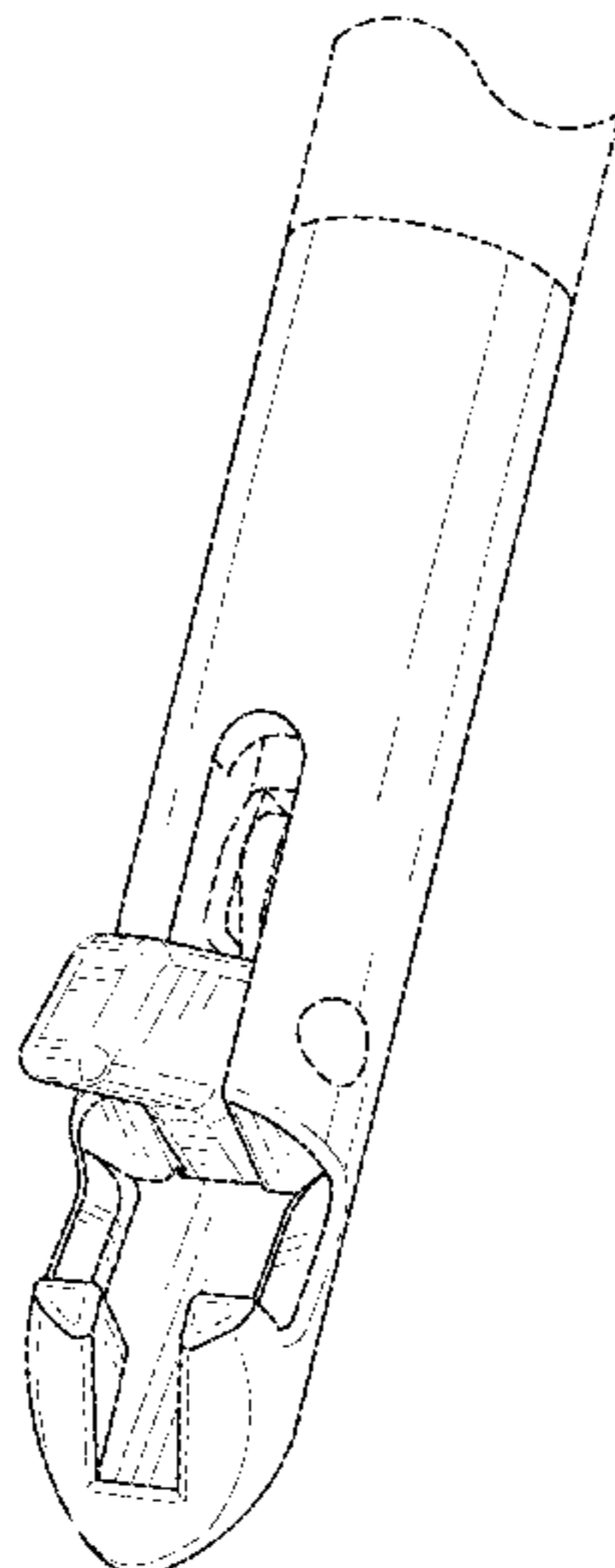
The broken lines show portions of the needle holder for endoscopic surgery that form no part of the claimed design.

(56) **References Cited**

U.S. PATENT DOCUMENTS

5,417,701 A 5/1995 Holmes
7,011,635 B1 * 3/2006 Delay A61M 25/09041
600/585

1 Claim, 4 Drawing Sheets



(56)

References Cited

U.S. PATENT DOCUMENTS

8,197,479	B2 *	6/2012	Olson	A61B 18/1445 606/50
8,235,992	B2 *	8/2012	Guerra	A61B 18/1445 606/51
D689,606	S	9/2013	John et al.	
8,828,027	B2 *	9/2014	Vaughan	A61B 17/0401 606/139
9,247,953	B2 *	2/2016	Palmer	A61B 17/320092
D773,044	S	11/2016	Koh et al.	
D804,025	S *	11/2017	Linnenschmidt	D24/143
D804,026	S *	11/2017	Linnenschmidt	D24/143
10,918,445	B2 *	2/2021	Swayze	G06T 11/00
10,987,153	B2 *	4/2021	Wang	A61B 18/1442
11,076,853	B2 *	8/2021	Parfett	A61B 17/07207
2006/0271074	A1	11/2006	Ewers et al.	
2007/0078459	A1	4/2007	Johnson et al.	
2013/0197484	A1	8/2013	Seddon et al.	
2013/0197516	A1	8/2013	Kappel et al.	
2019/0150967	A1	5/2019	Haber et al.	
2020/0253625	A1	8/2020	Blase et al.	
2020/0253677	A1	8/2020	Jinno	
2020/0289141	A1	9/2020	Yuan et al.	
2020/0305870	A1	10/2020	Shelton, IV	
2020/0405289	A1	12/2020	Sato et al.	
2021/0205004	A1 *	7/2021	Krastins	A61B 17/29

* cited by examiner

FIG. 1

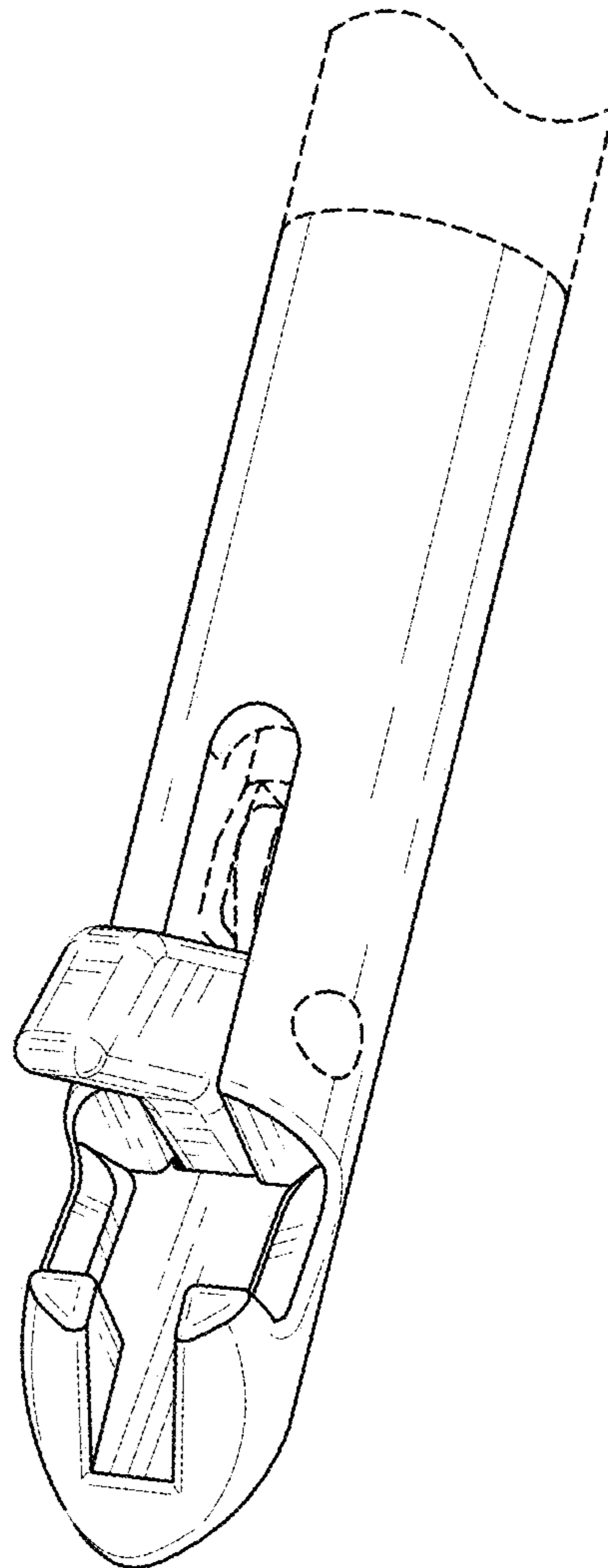


FIG. 2

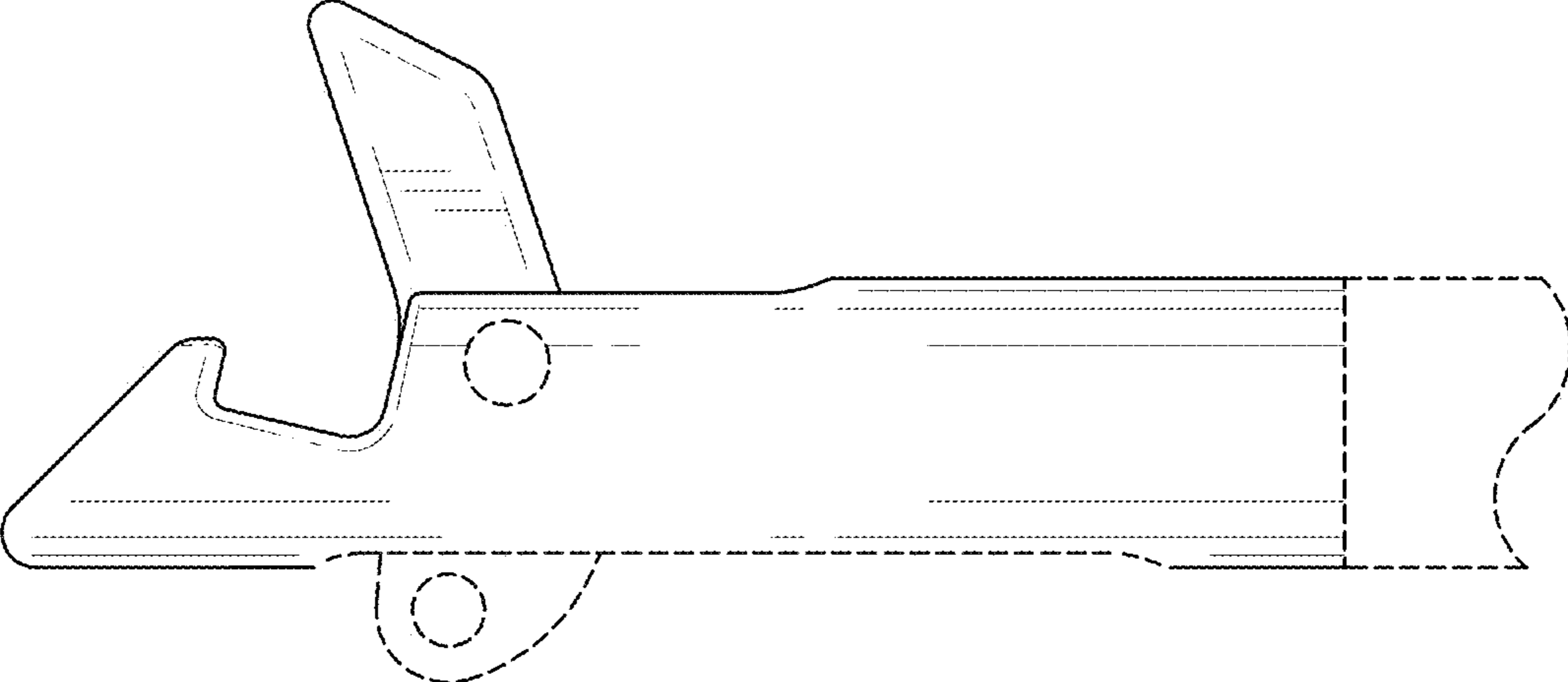


FIG. 3

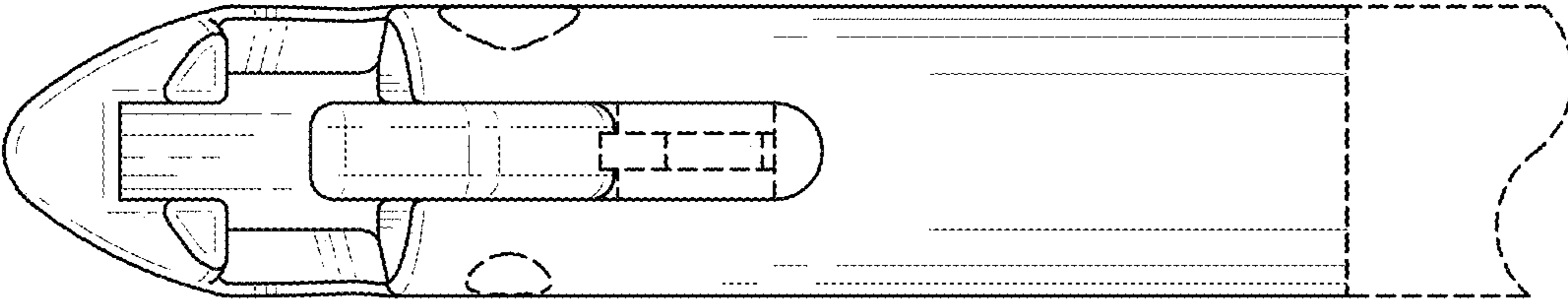


FIG. 4

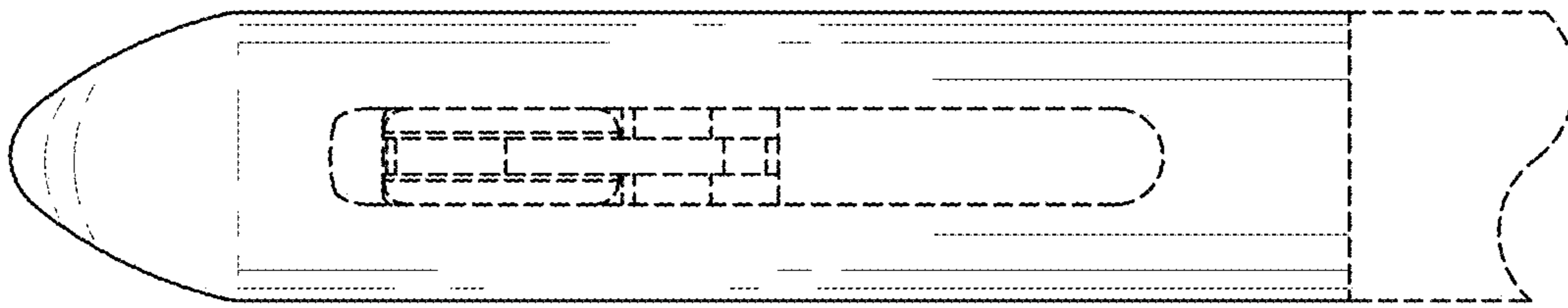


FIG. 5

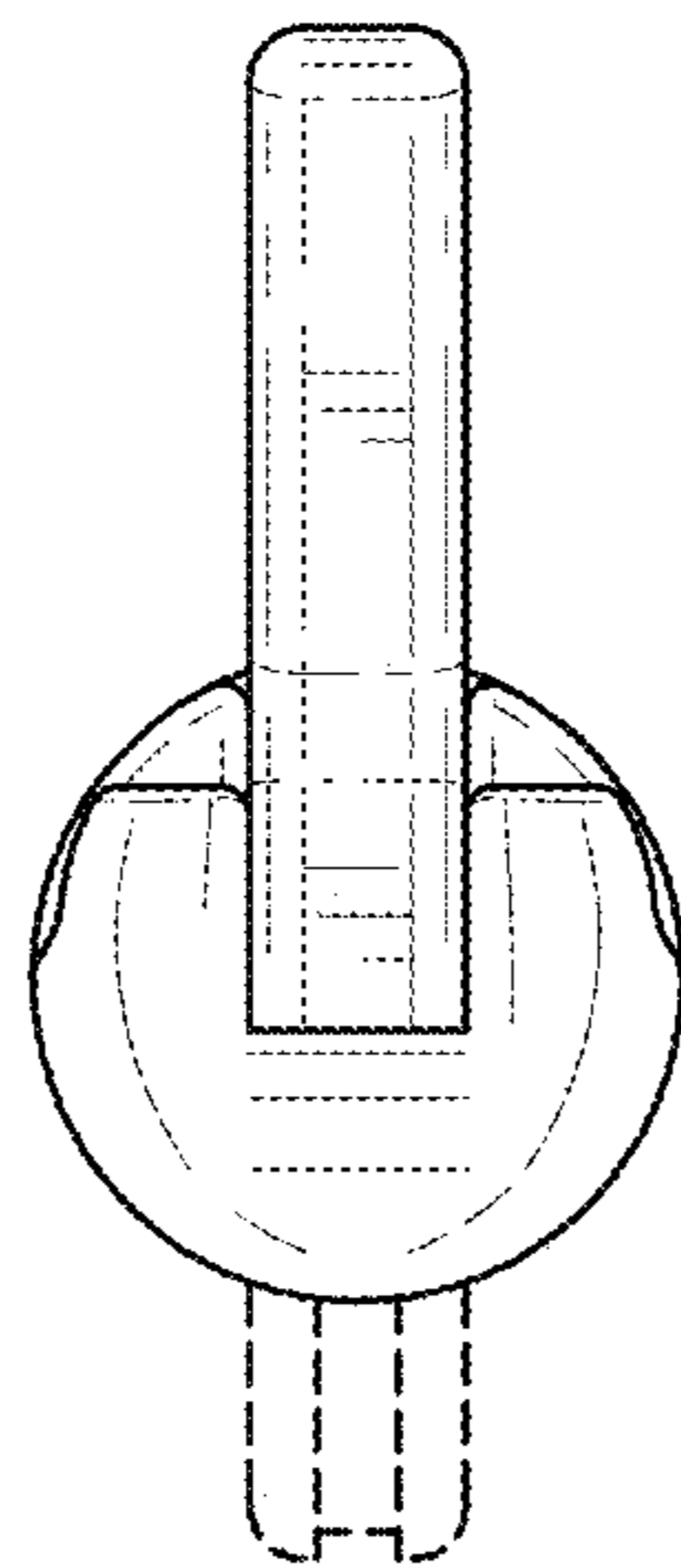


FIG. 6

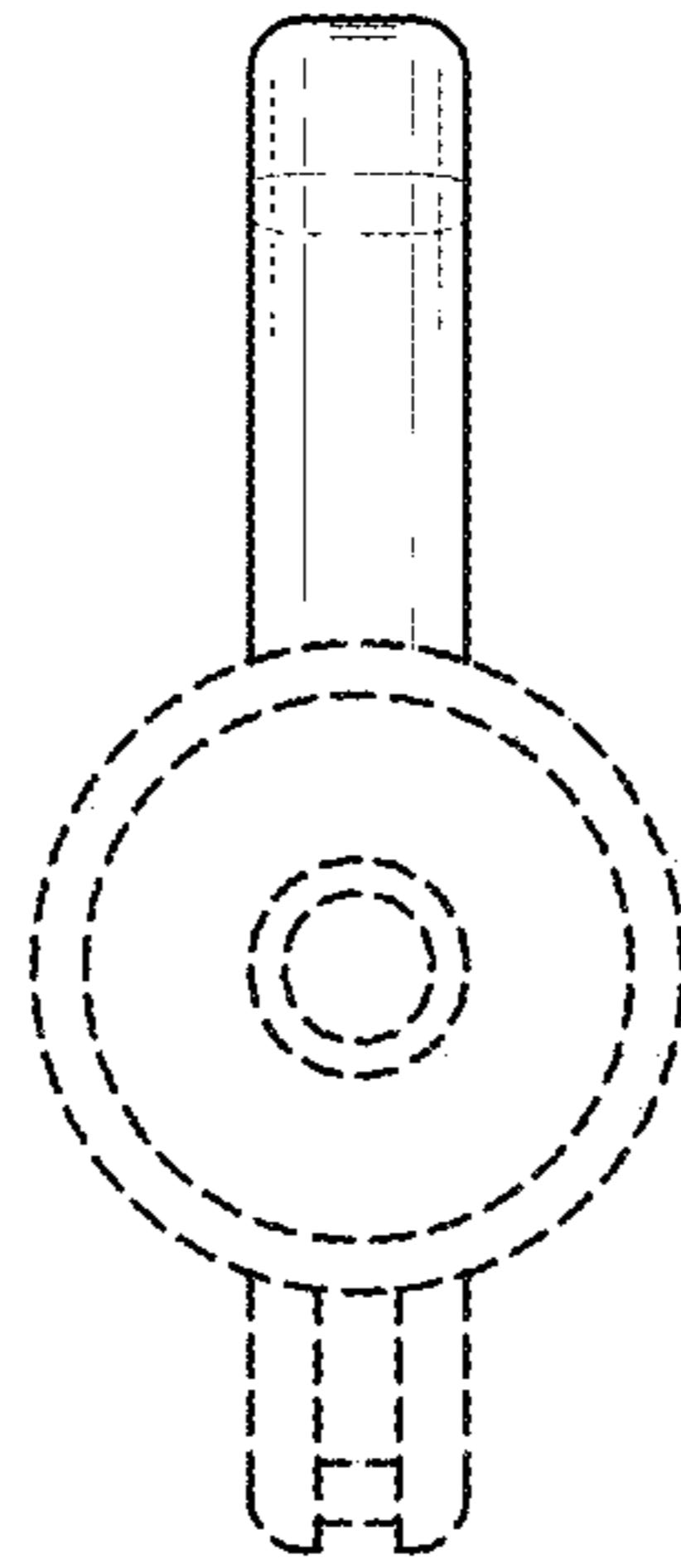


FIG. 7

